



US00D364755S

United States Patent [19]
Suarez

[11] **Patent Number:** **Des. 364,755**
[45] **Date of Patent:** ****Dec. 5, 1995**

[54] **COMBINED DRESSER AND ARCADE UNIT**

Attorney, Agent, or Firm—Curtis L. Harrington

[76] Inventor: **Julio Suarez**, 10172 Flanner, Garden Grove, Calif. 92640

[57] **CLAIM**

[**] Term: **14 Years**

The ornamental design for a combined dresser and arcade unit, as shown and described.

[21] Appl. No.: **11,629**

DESCRIPTION

[22] Filed: **Aug. 10, 1993**

[52] U.S. Cl. **D6/397**; D21/13

[58] **Field of Search** D6/396, 397, 432-448;
D21/13; 434/55, 58, 432; 273/DIG. 28,
86 B

FIG. 1 is a perspective view of a combined dresser and arcade unit showing my new design;
FIG. 2 is a rear elevational view thereof;
FIG. 3 is a front elevational view thereof;
FIG. 4 is a top plan view thereof;
FIG. 5 is a left side elevational view thereof;
FIG. 6 is a bottom plan view thereof;
FIG. 7 is a right side elevational view thereof;
FIG. 8 is a cross-sectional view taken along line 8—8 of FIG. 5; and,
FIG. 9 is a cross-sectional view taken along line 9—9 of FIG. 5.

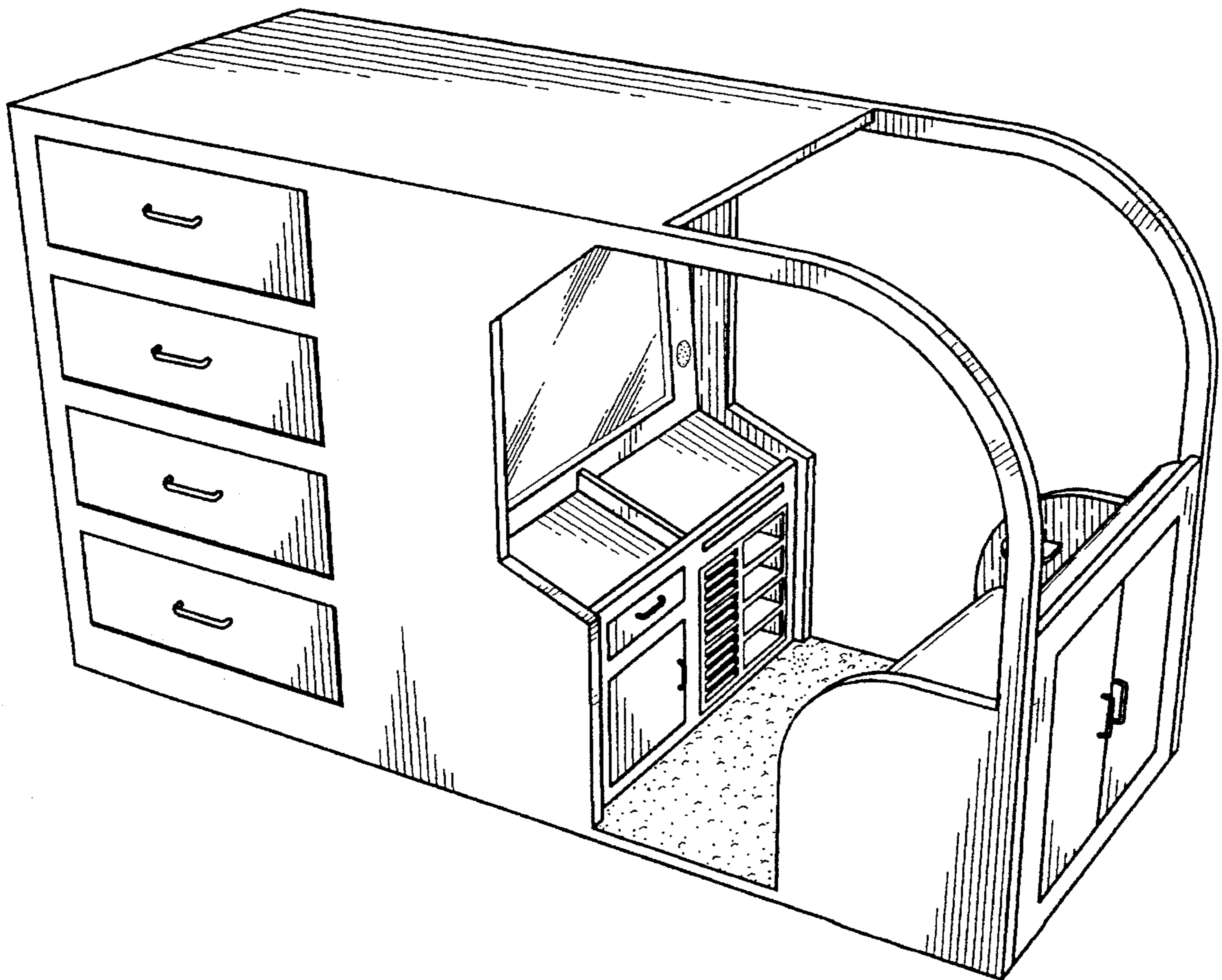
[56] **References Cited**

U.S. PATENT DOCUMENTS

D. 243,626	3/1977	Cheng	D21/13
D. 287,032	12/1986	Funai	D21/13
D. 304,703	11/1989	Phillips	D6/397 X
D. 329,150	9/1992	Ball	D6/397

Primary Examiner—Carmen H. Vales-Lado

1 Claim, 3 Drawing Sheets



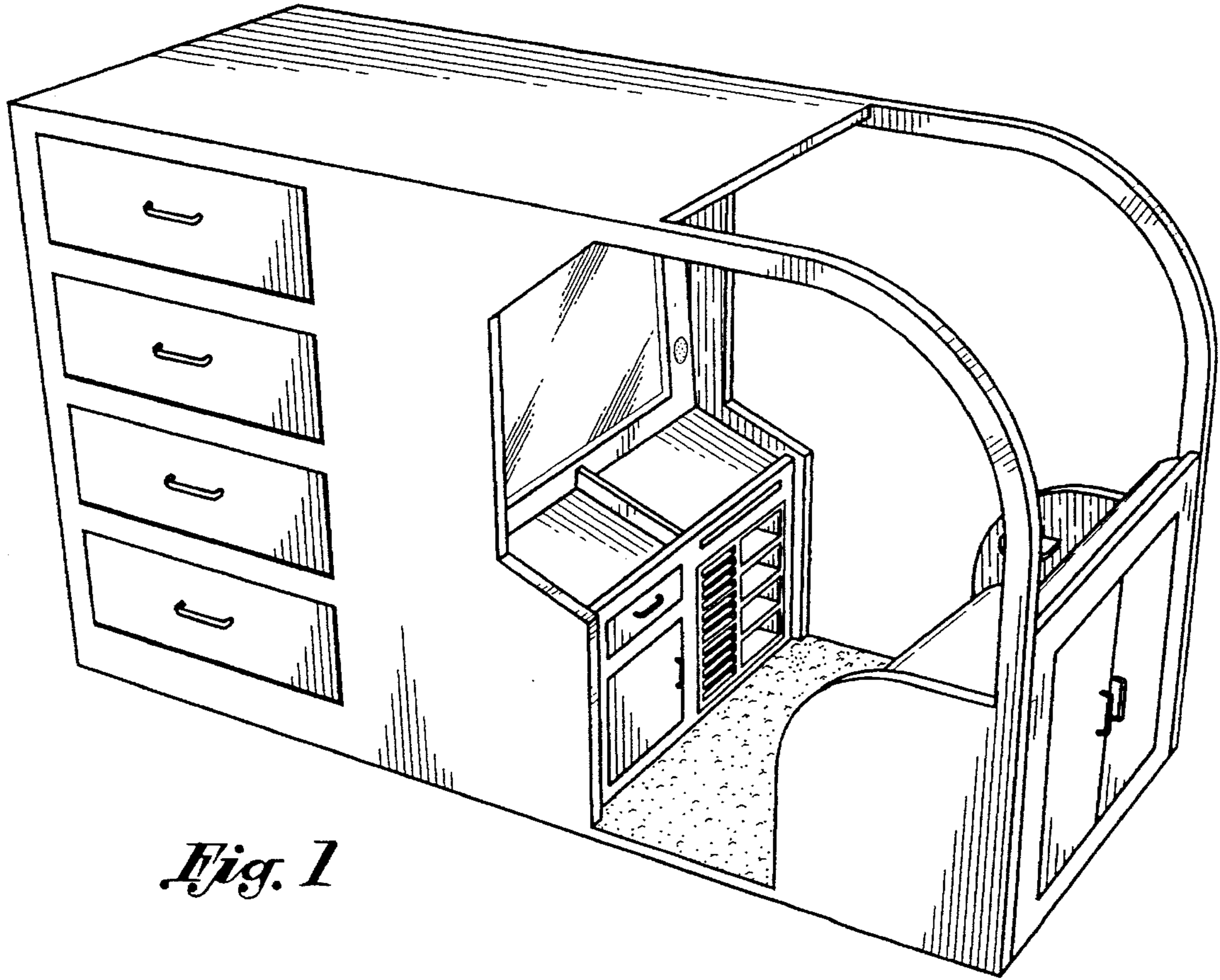


Fig. 1

Fig. 2

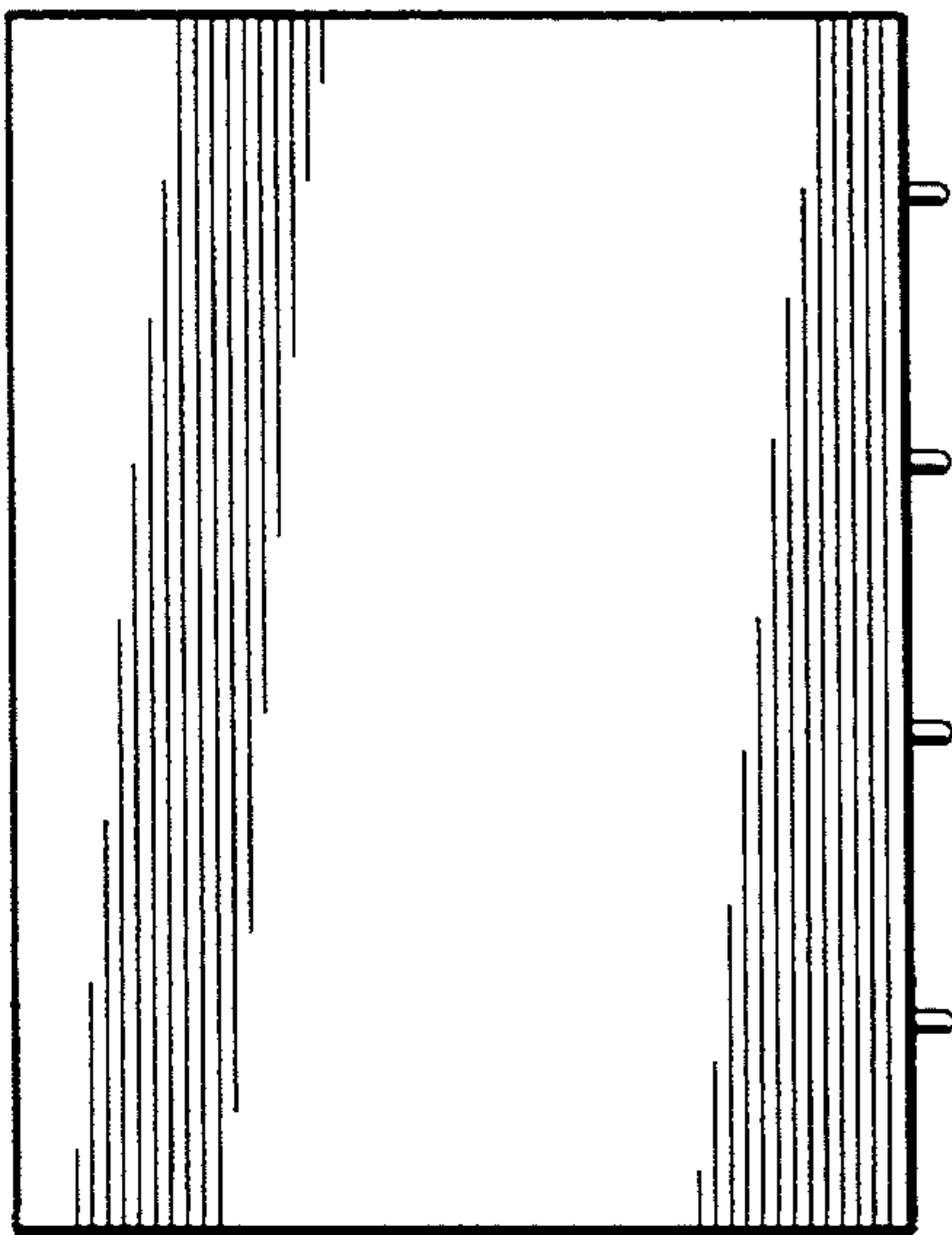


Fig. 3

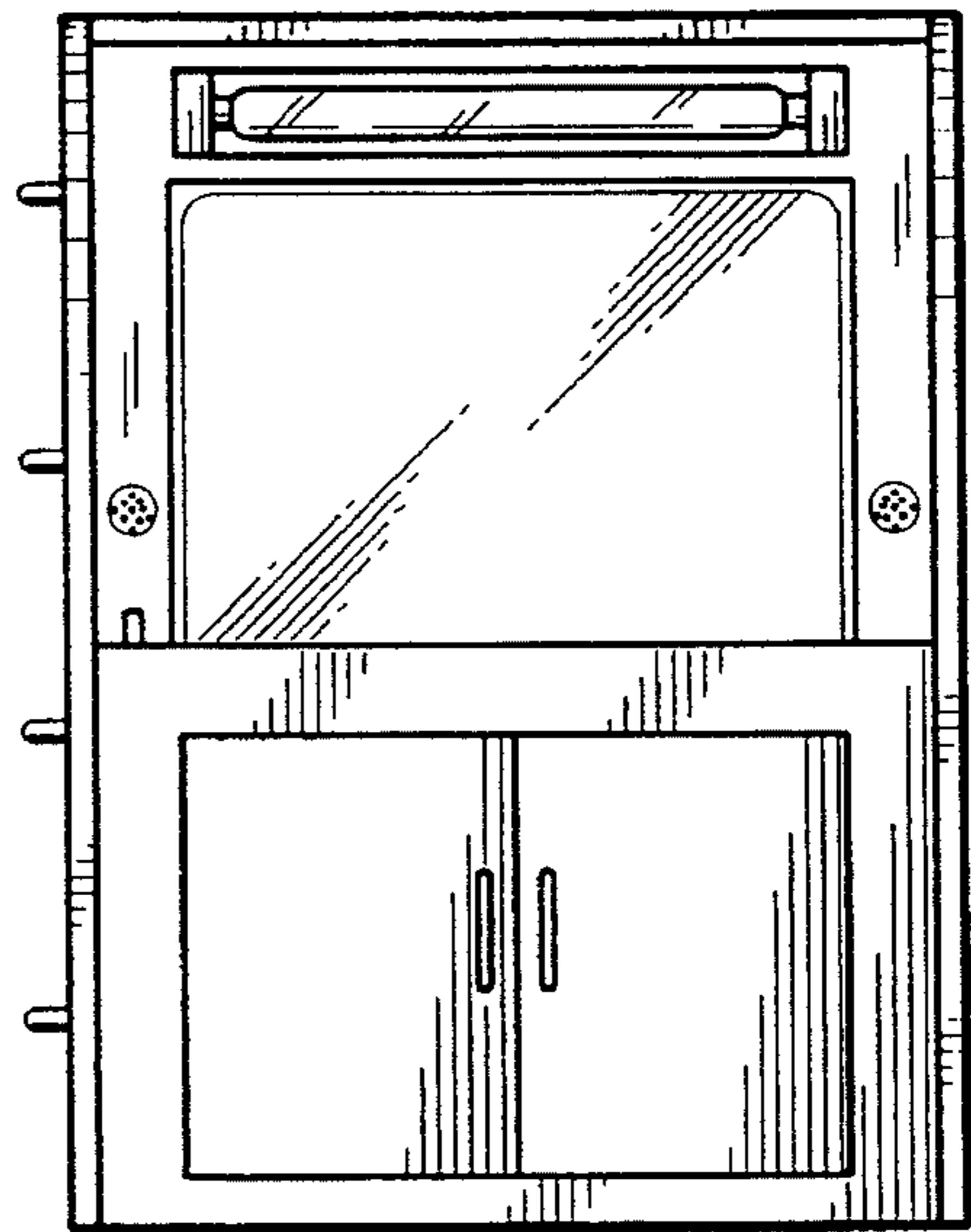


Fig. 4

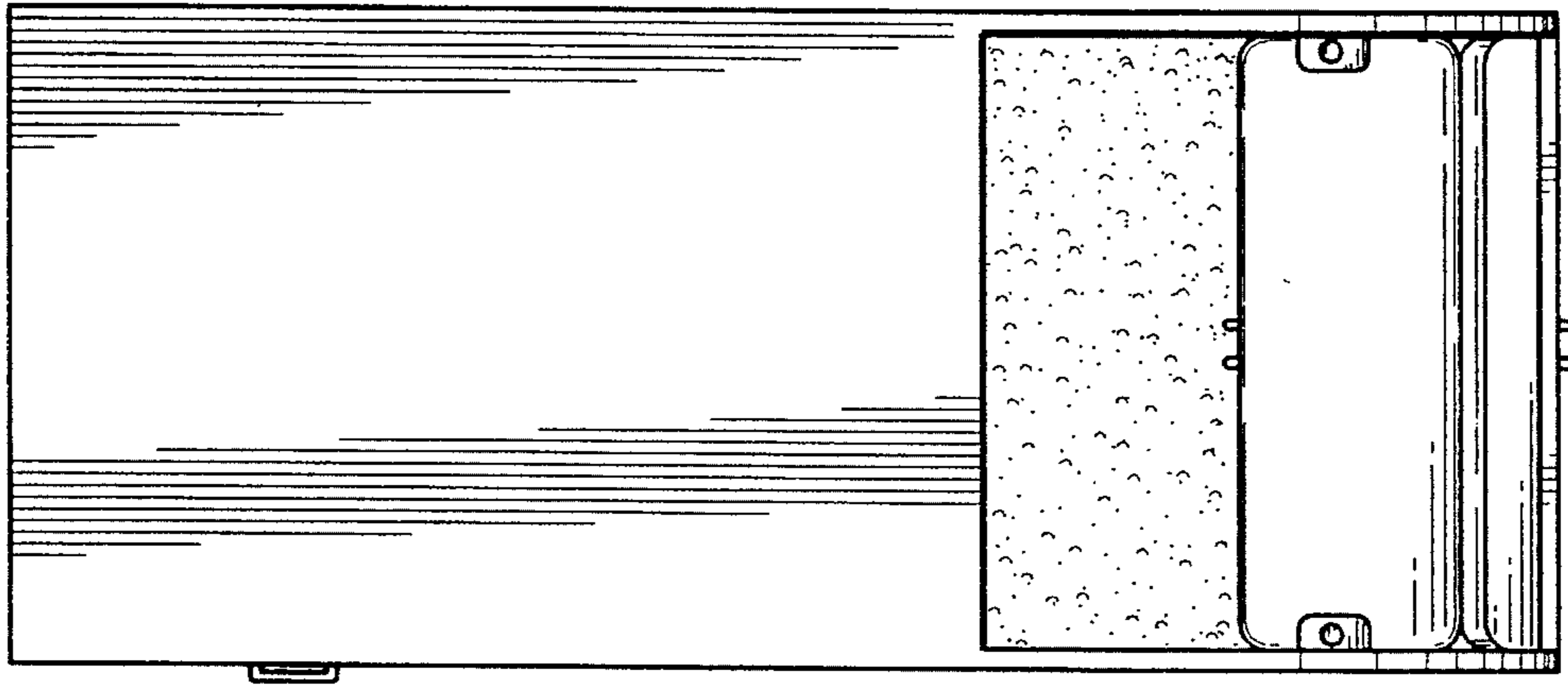


Fig. 5

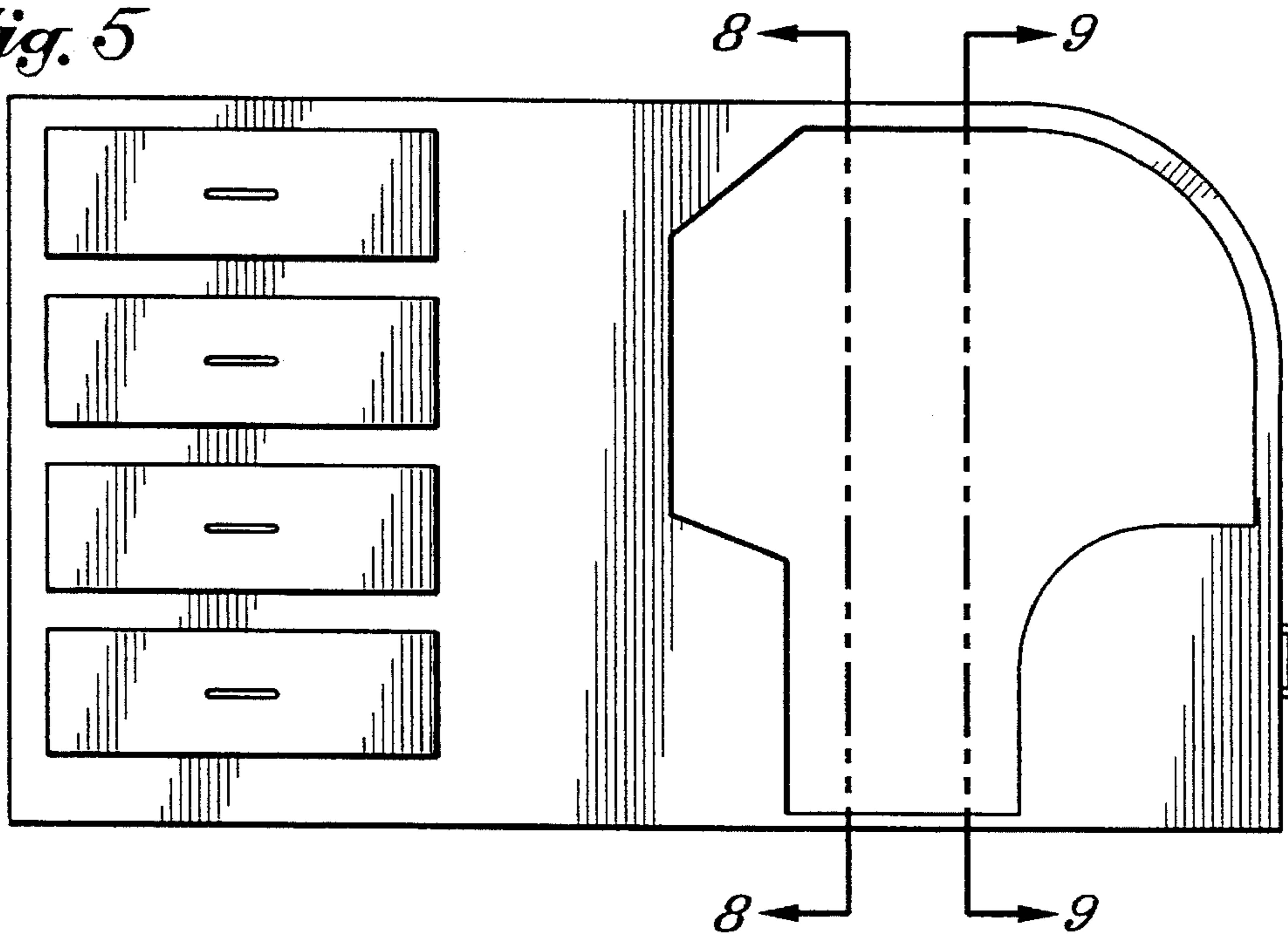


Fig. 6

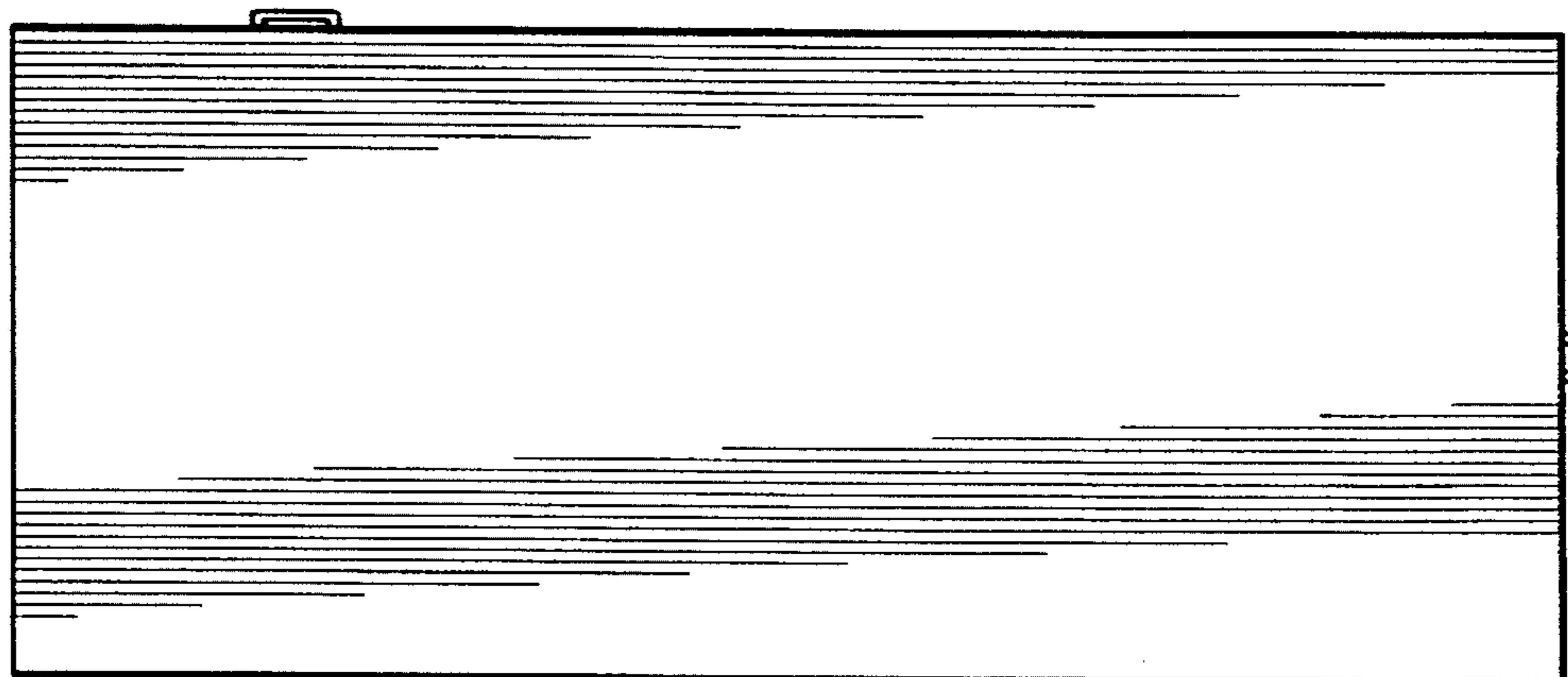


Fig. 7

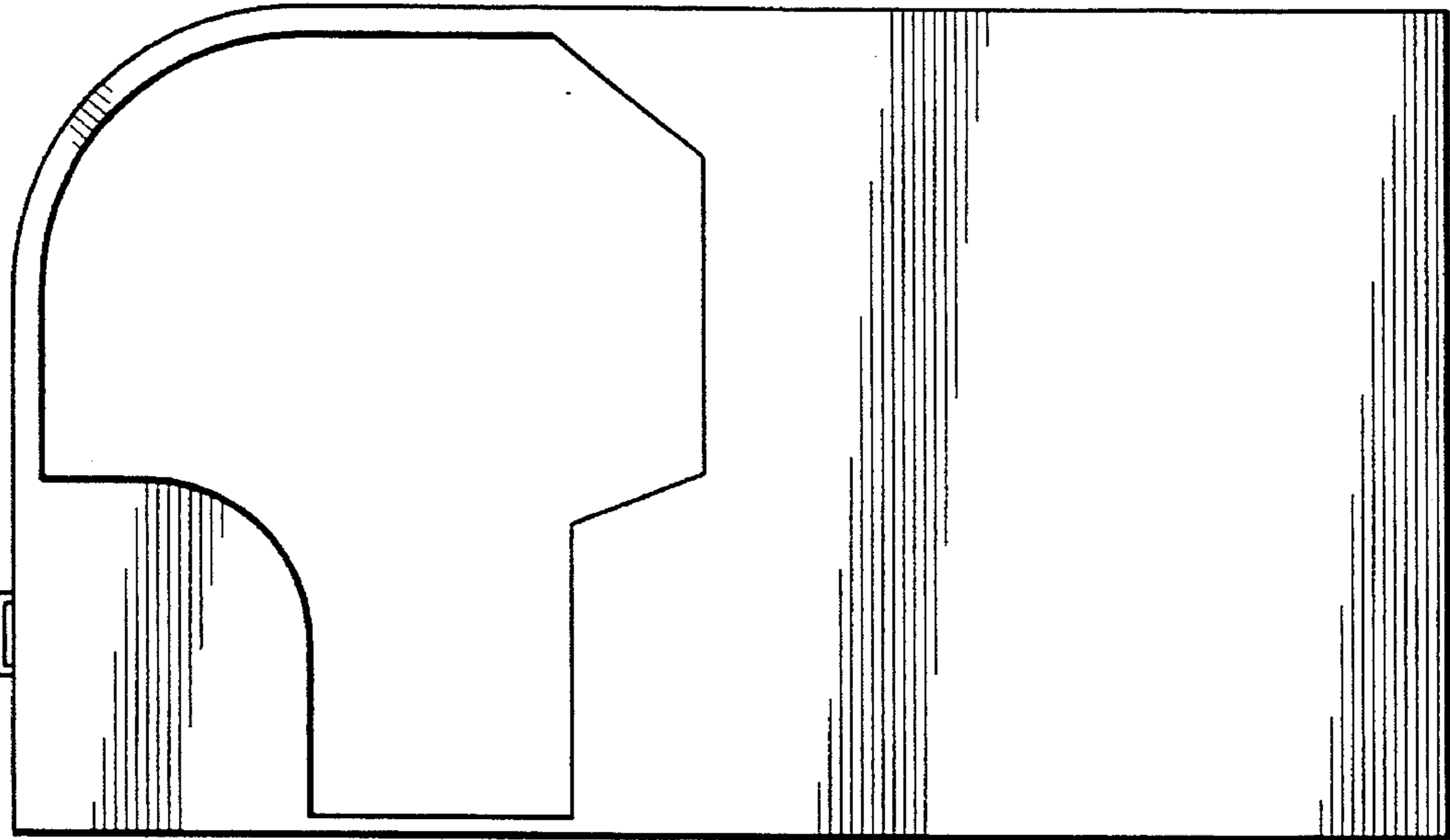


Fig. 8

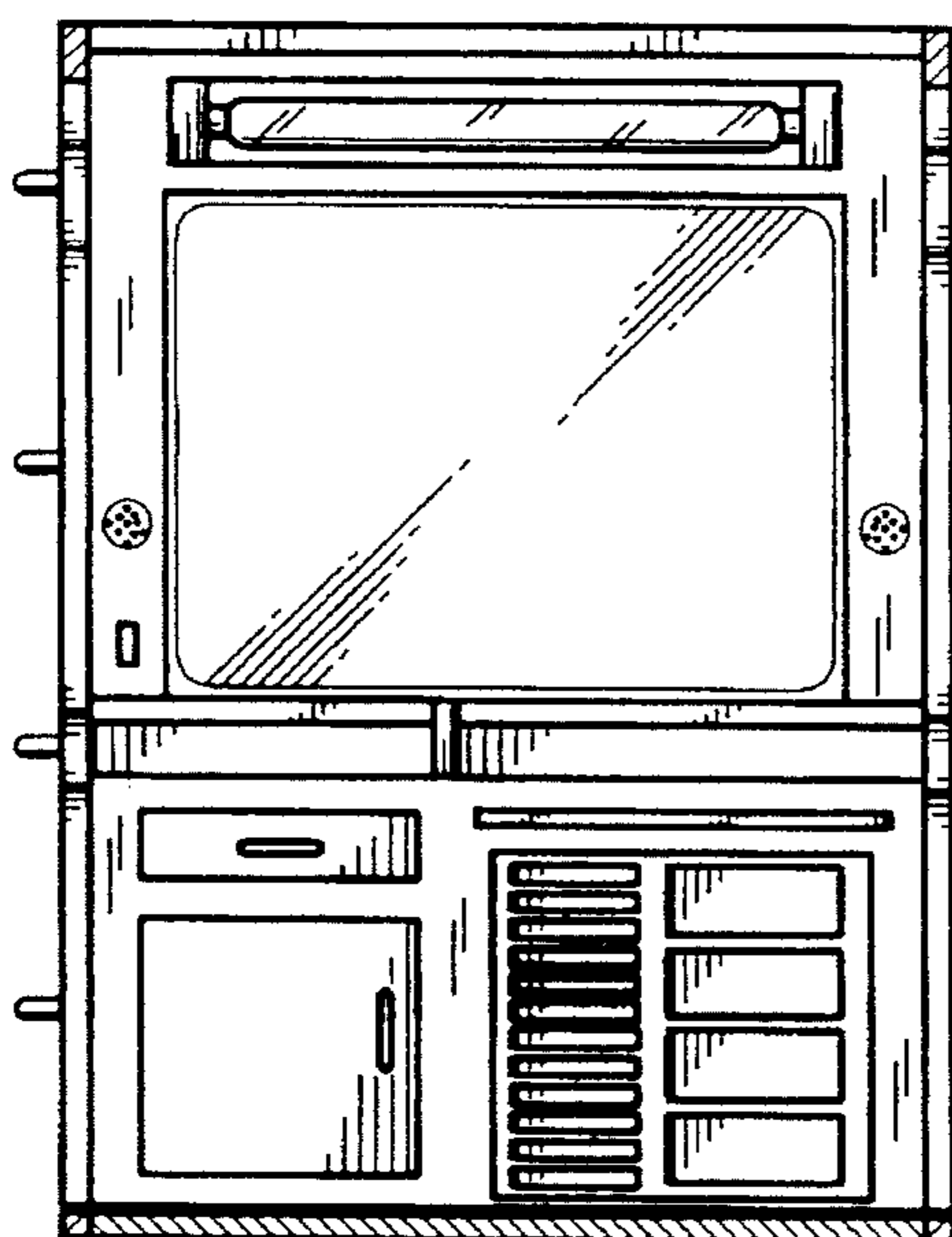


Fig. 9

