



US00D364754S

United States Patent [19]

Welsh, Jr. et al.

[11] Patent Number: **Des. 364,754**

[45] Date of Patent: ****Dec. 5, 1995**

[54] **BLOW MOLDED CRIB**

2,583,187 1/1952 St. Clair Newbern 5/99.1

[75] Inventors: **Thomas J. Welsh, Jr.**, Troy; **John V. Mariol**, Cincinnati, both of Ohio

Primary Examiner—Janice E. Seeger

[73] Assignee: **Lisco, Inc.**, Tampa, Fla.

[57] **CLAIM**

[**] Term: **14 Years**

The ornamental design of the blow molded crib, as shown and described.

[21] Appl. No.: **30,628**

DESCRIPTION

[22] Filed: **Nov. 3, 1994**

FIG. 1 is a perspective view of the blow molded crib showing the design of our invention;

[52] U.S. Cl. **D6/395; D6/391**

FIG. 2 is a front view thereof;

[58] Field of Search **D6/382, 383, 388,**

FIG. 3 is a left end view thereof;

D6/389-395, 505-508; 5/93.1, 93.2, 99.1,

FIG. 4 is a top plan view thereof;

101, 105

FIG. 5 is a bottom view thereof;

FIG. 6 is a perspective view of the crib handles; and,

[56] **References Cited**

FIG. 7 is a perspective view showing portions of the crib adjustment mechanisms.

U.S. PATENT DOCUMENTS

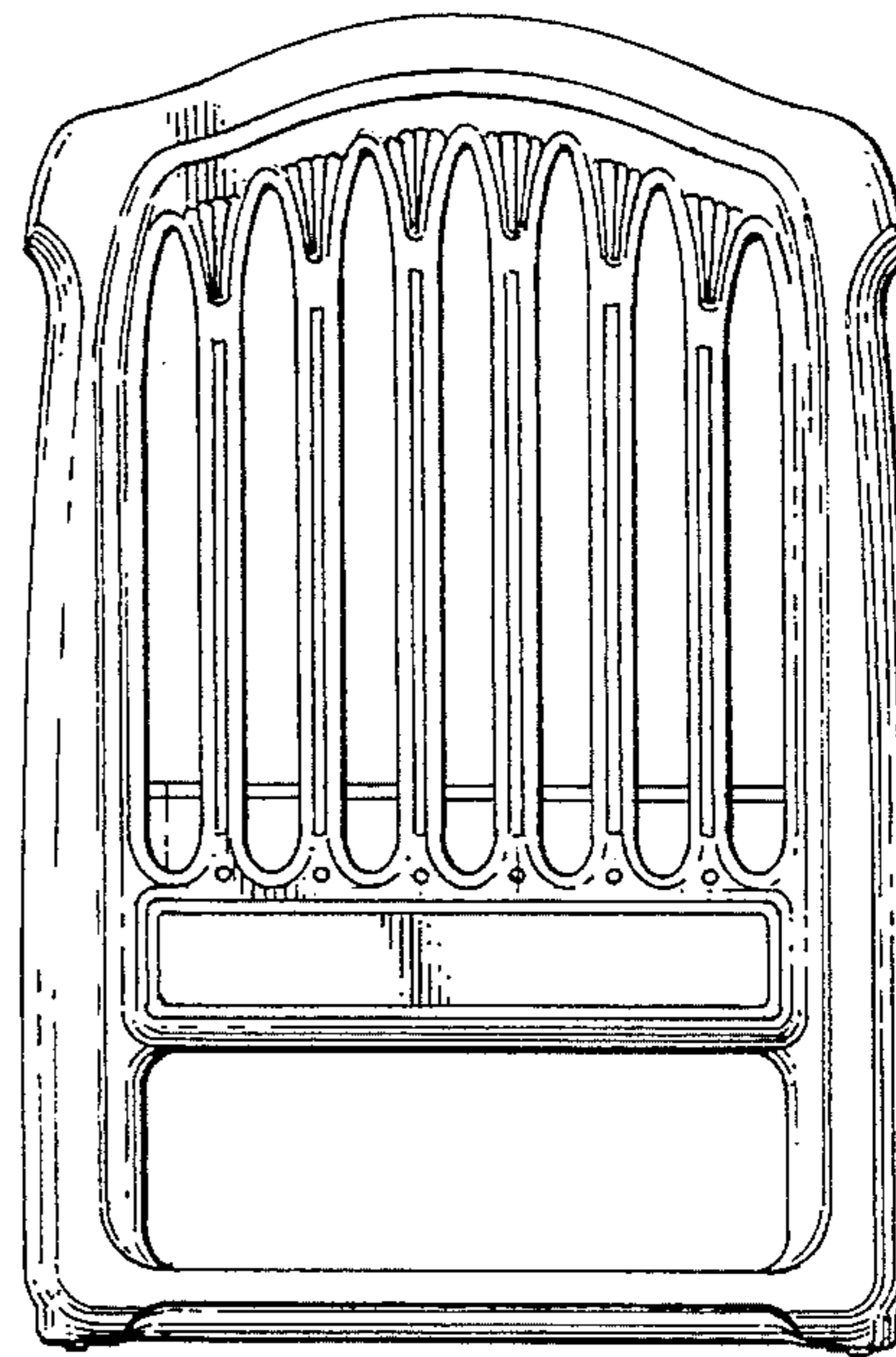
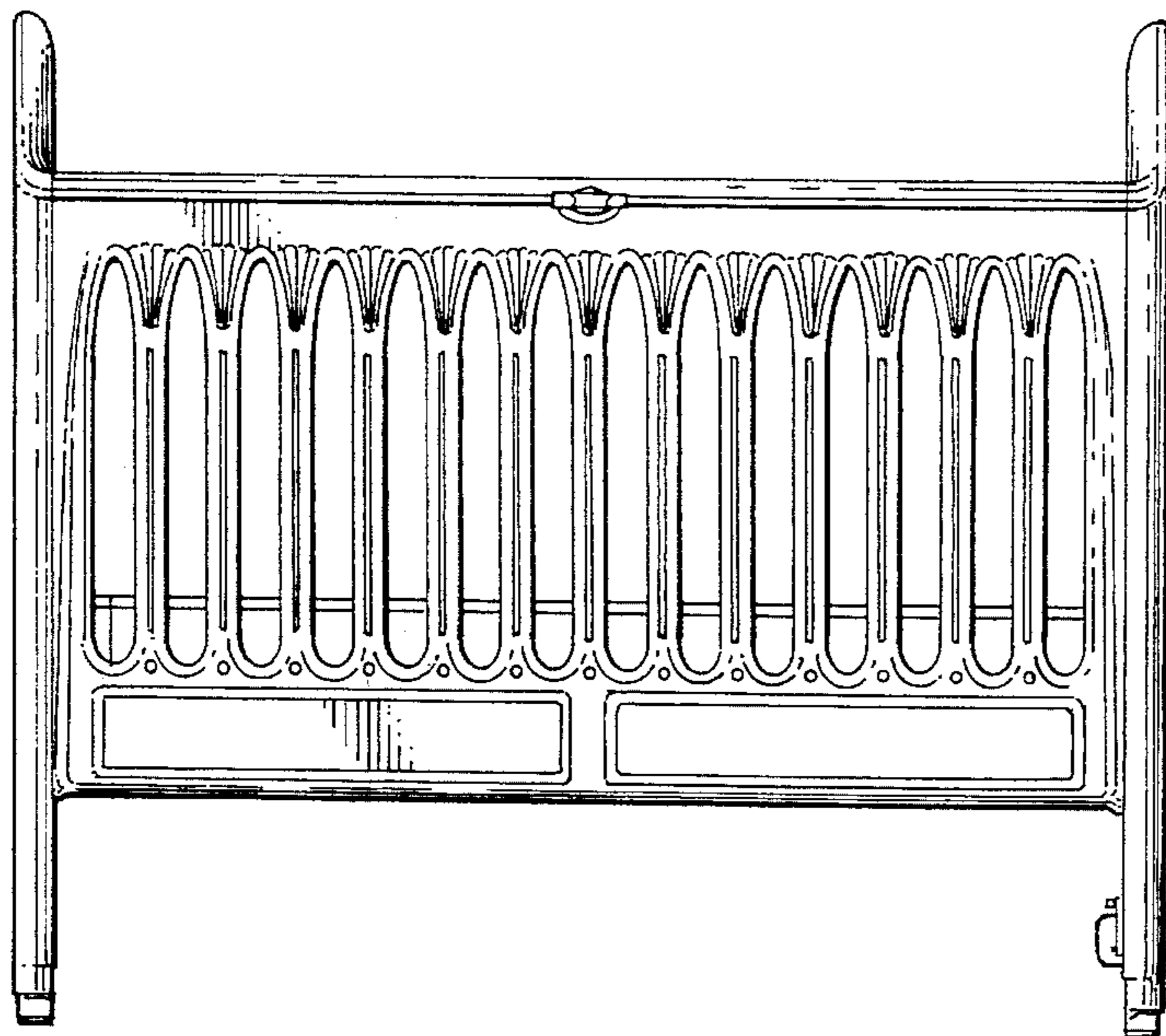
The right end view is a mirror image of the left end view.

D. 165,921 2/1952 Ippolito D6/385 X

D. 276,384 11/1984 Kroll D6/390

D. 285,631 9/1986 Pali D6/390

1 Claim, 3 Drawing Sheets



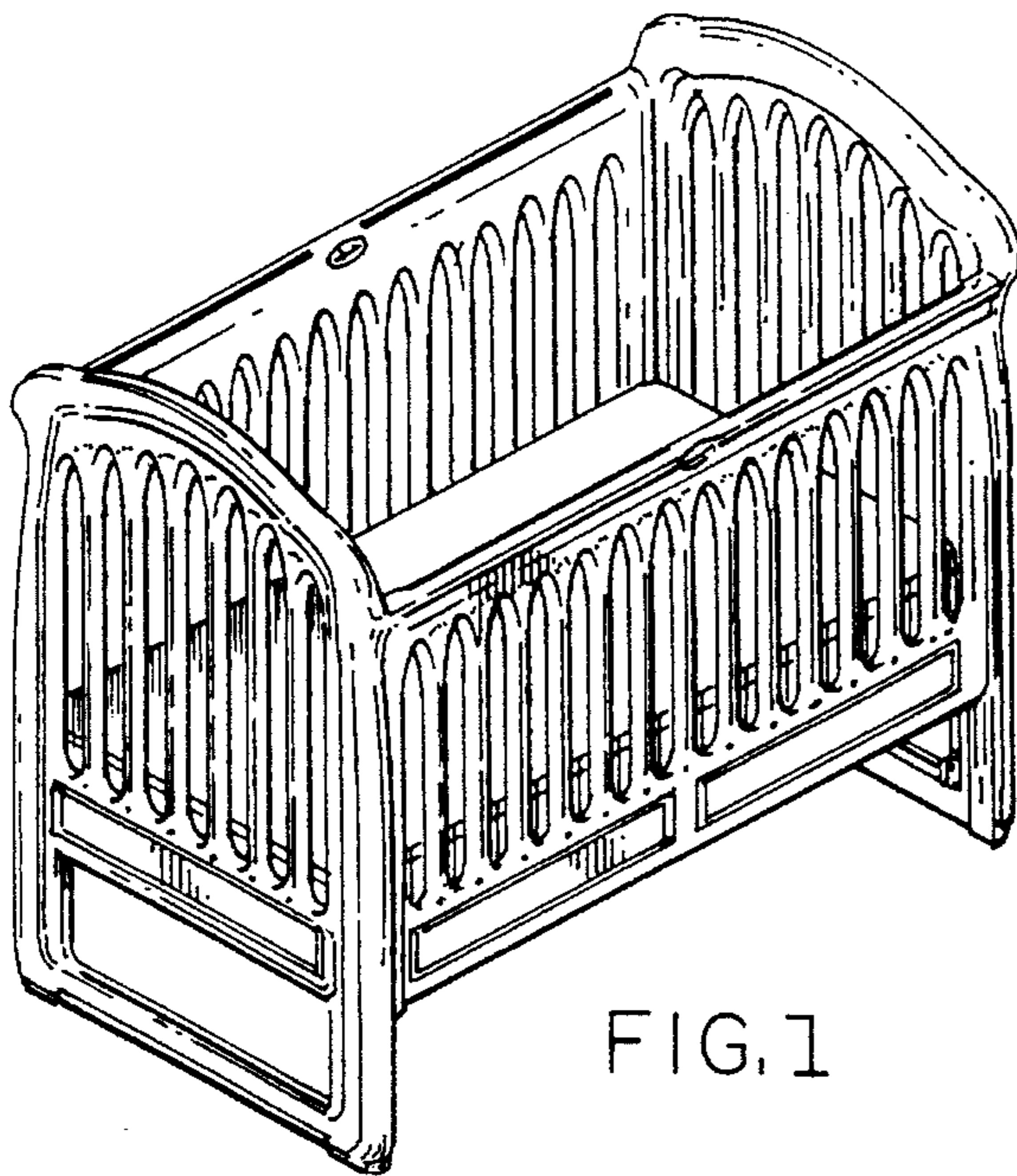


FIG. 1

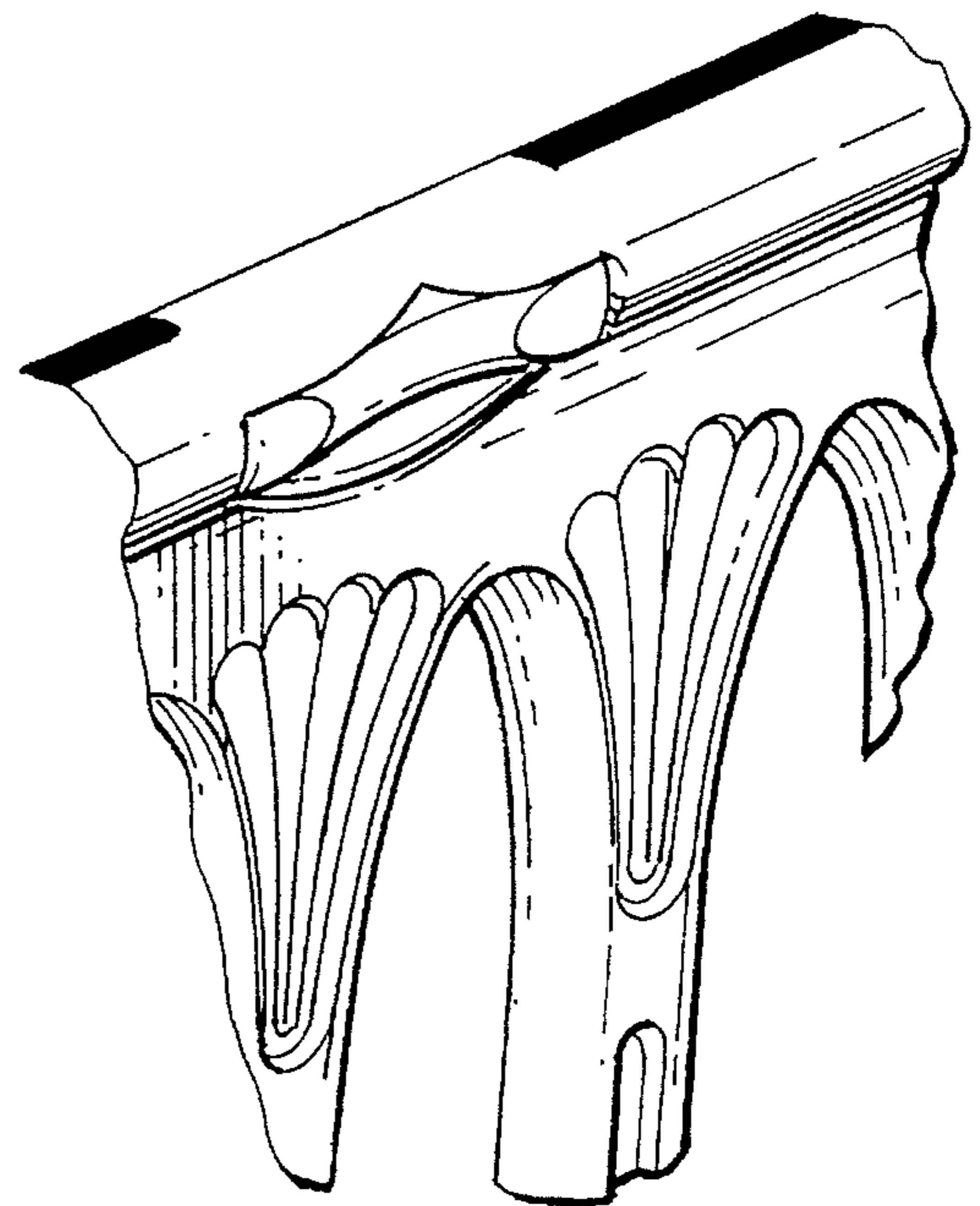


FIG. 6

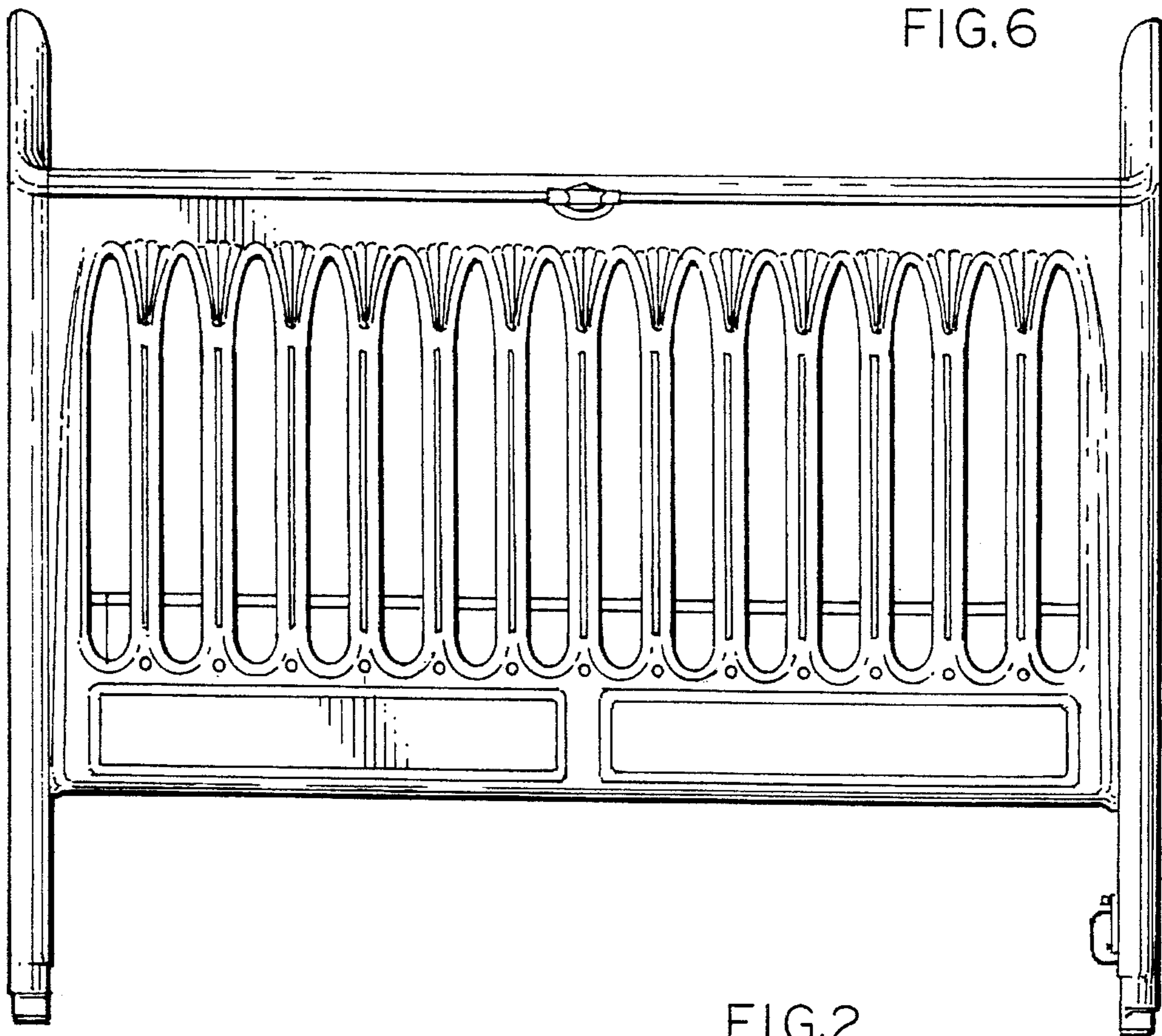


FIG. 2

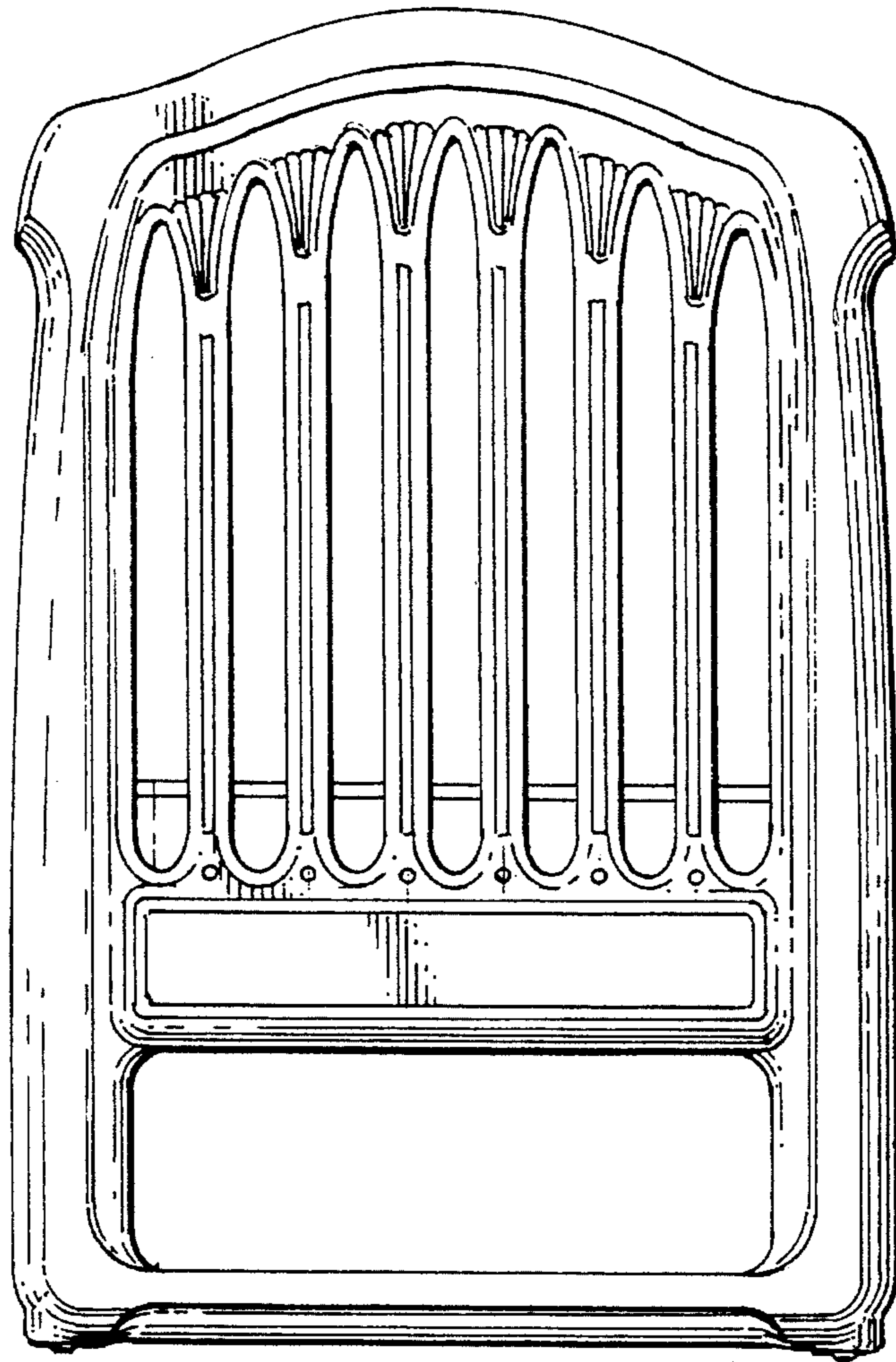


FIG. 3

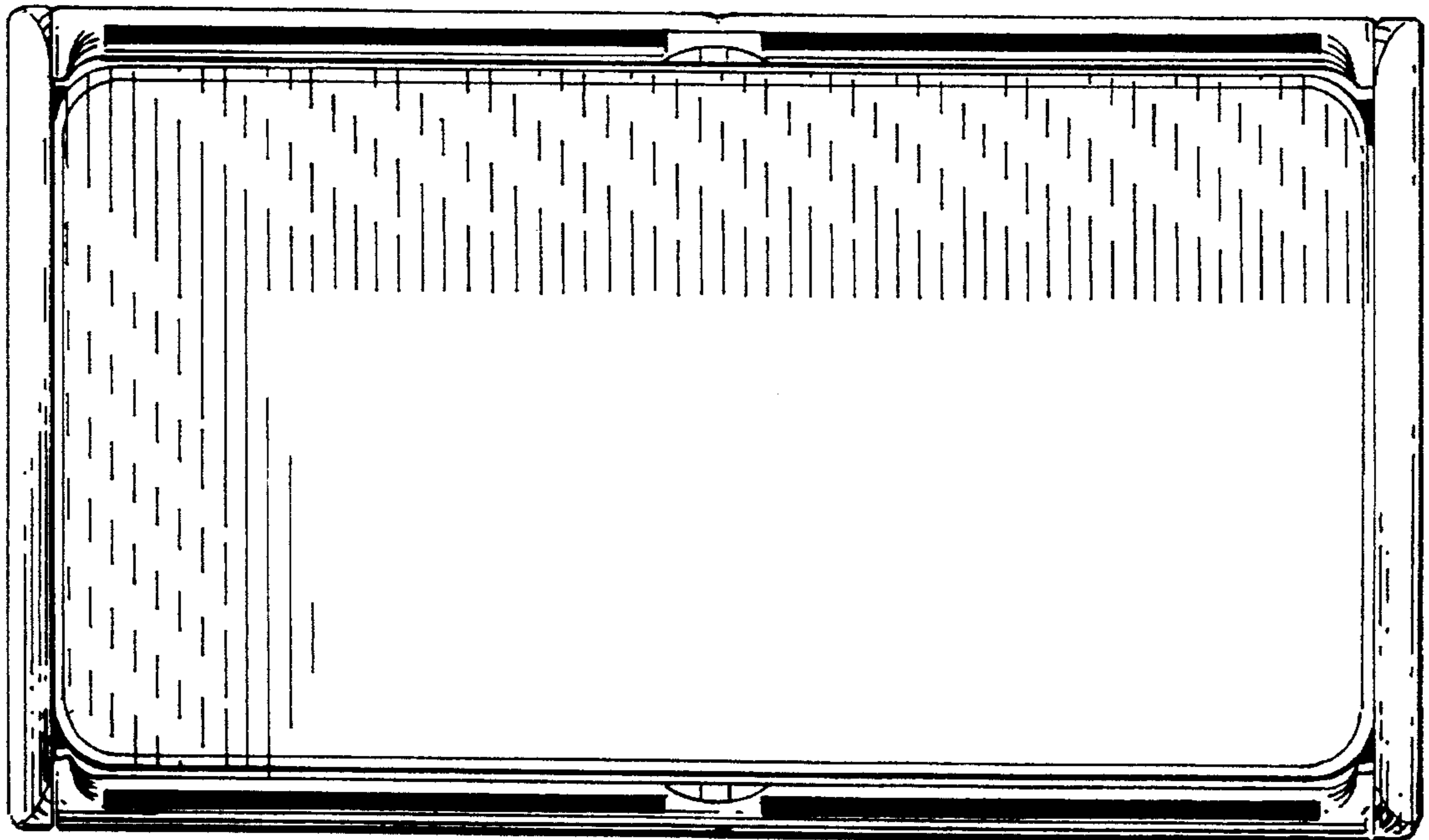


FIG. 4

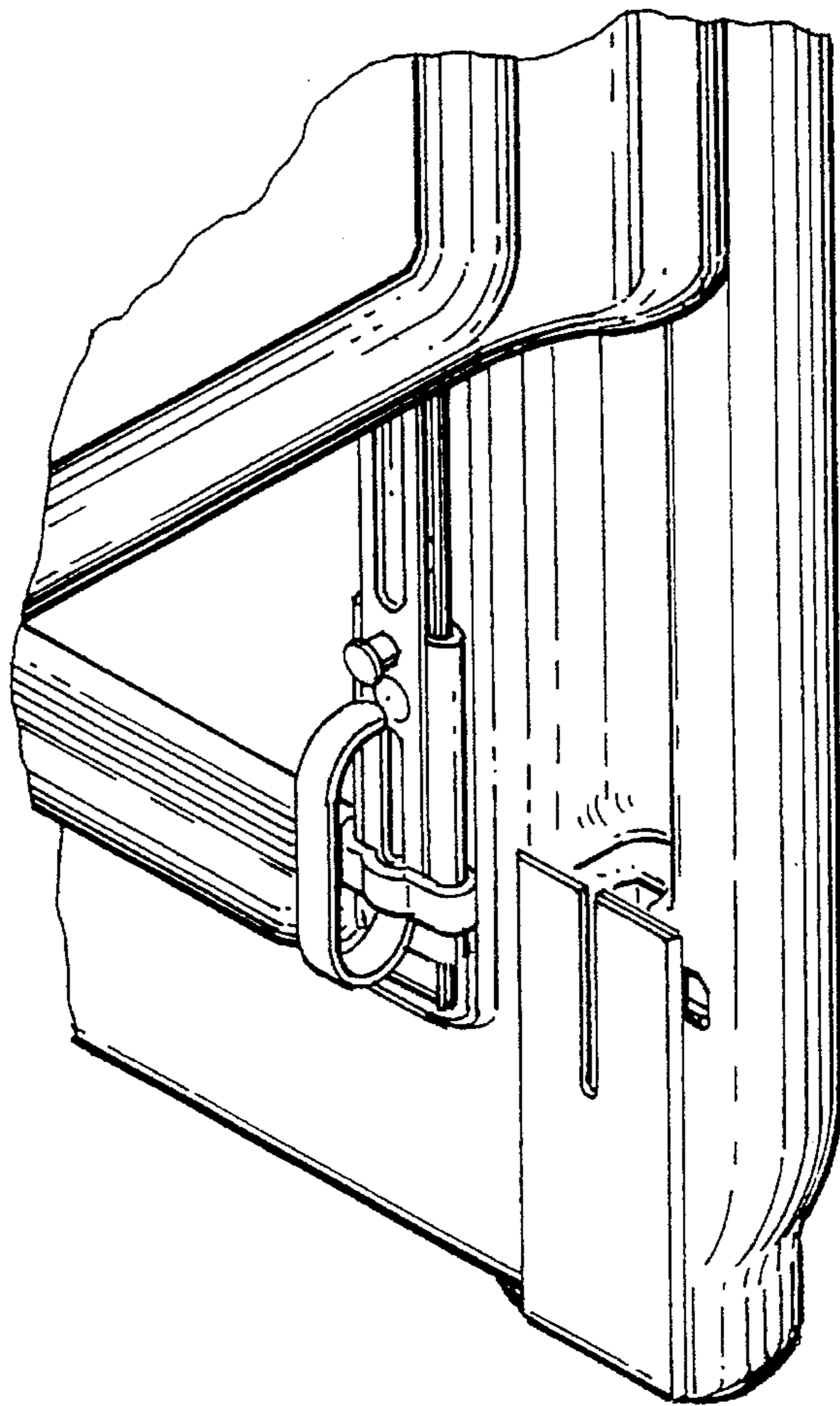


FIG. 7

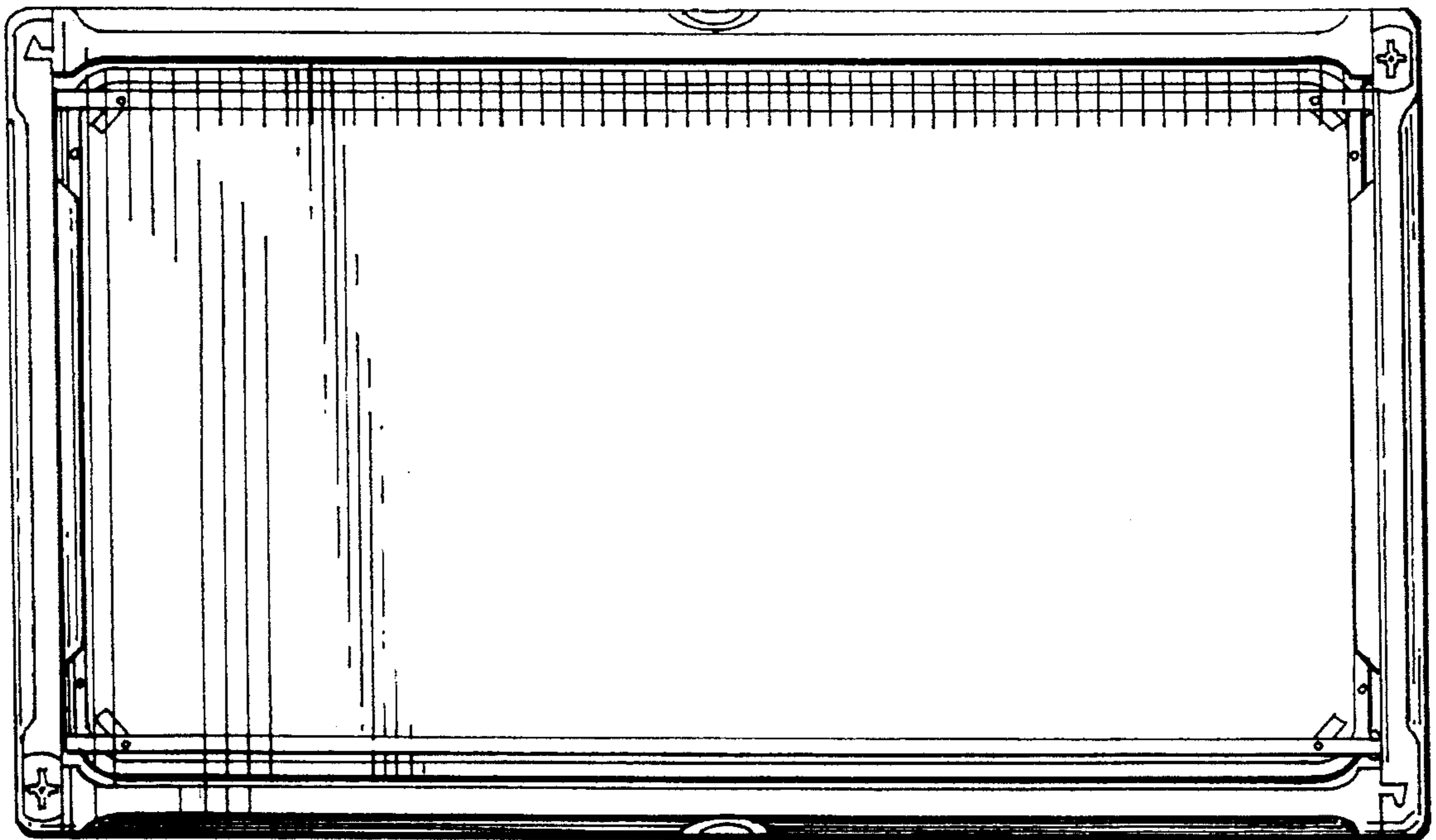


FIG. 5