



US00D364752S

United States Patent [19] Hutton

[11] **Patent Number:** **Des. 364,752**
[45] **Date of Patent:** ****Dec. 5, 1995**

[54] **SOFA**

[75] **Inventor:** **John Hutton**, New York, N.Y.

[73] **Assignee:** **Donghia Furniture**, New York, N.Y.

[**] **Term:** **14 Years**

[21] **Appl. No.:** **16,176**

[22] **Filed:** **Dec. 9, 1993**

[52] **U.S. Cl.** **D6/381**

[58] **Field of Search** D6/334, 335, 336,
D6/364, 371, 373, 381, 500, 501, 502;
297/232

[56] **References Cited**

U.S. PATENT DOCUMENTS

D. 268,717	4/1983	Lüthy	D6/381
D. 292,146	10/1987	Culler	D6/334
D. 293,744	1/1988	Mallison	D6/381
D. 307,984	5/1990	Culler	D6/334
D. 335,779	5/1993	Newhouse	D6/381

OTHER PUBLICATIONS

Karpen Furniture, 1925, p. 34, Sofa #570 top center.
Cartwright, p. 84D, Sofa Shown.

Abitare Identikit, pp. 90-91, Sofa Shown on p. 91.

Primary Examiner—Alan P. Douglas
Assistant Examiner—Gary D. Watson
Attorney, Agent, or Firm—Kenyon & Kenyon

[57] **CLAIM**

The ornamental design for a sofa, as shown and described.

DESCRIPTION

FIG. 1 is a perspective view of a sofa showing my new design;

FIG. 2 is a front elevational view thereof;

FIG. 3 is a bottom plan view thereof;

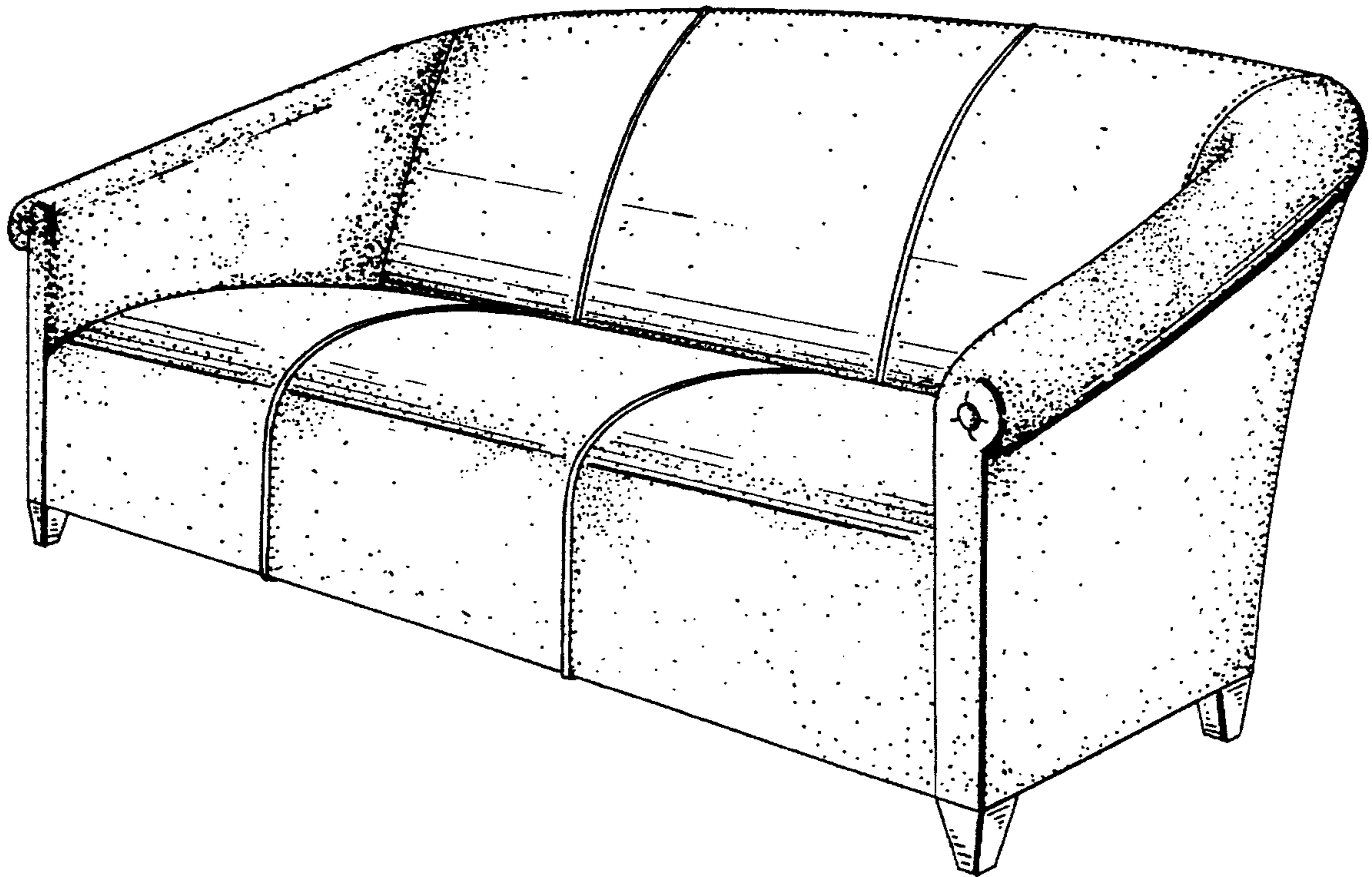
FIG. 4 is a top plan view thereof;

FIG. 5 is a right side elevational view thereof;

FIG. 6 is a left side elevational view thereof; and,

FIG. 7 is a rear elevational view thereof.

1 Claim, 6 Drawing Sheets



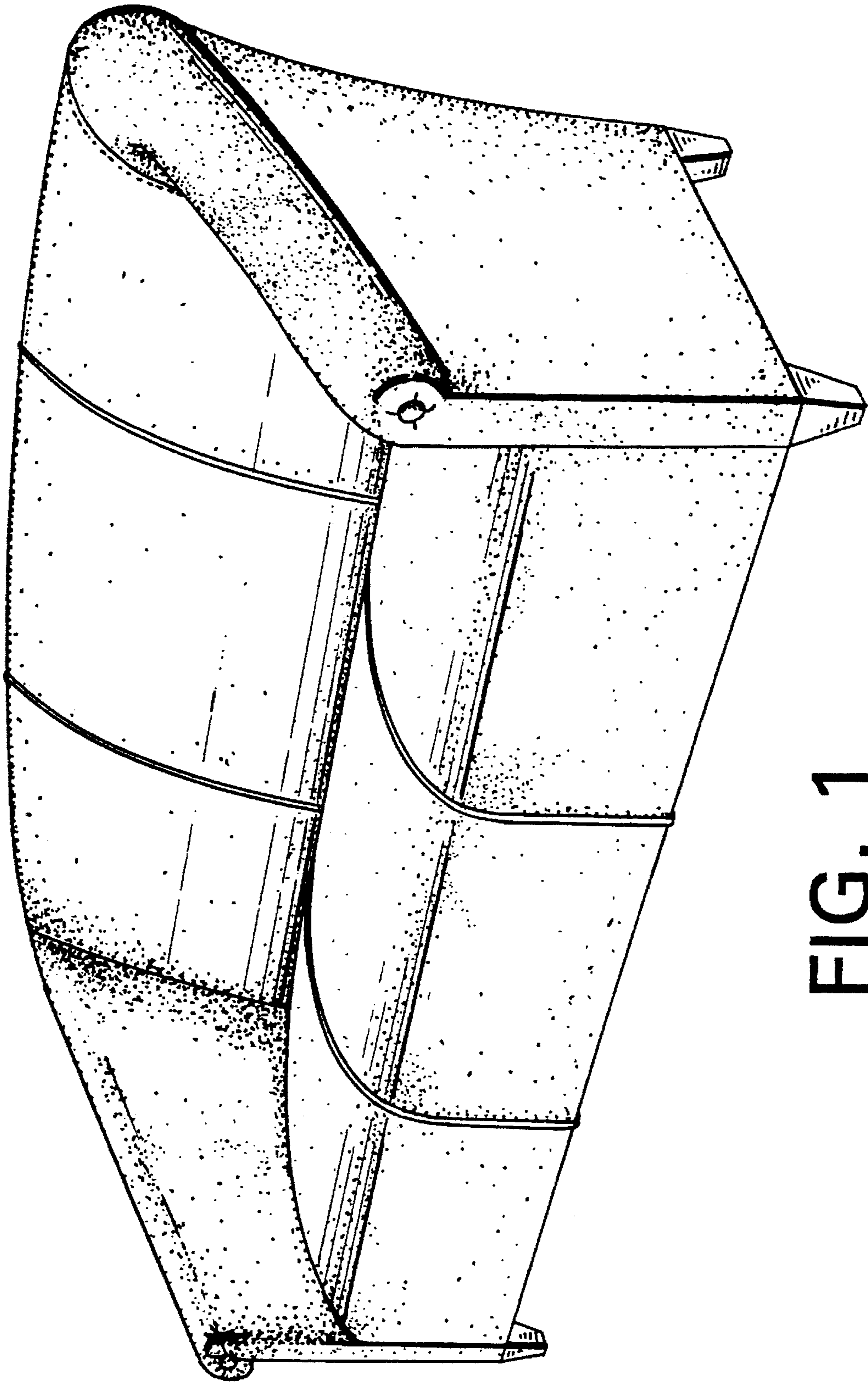


FIG. 1

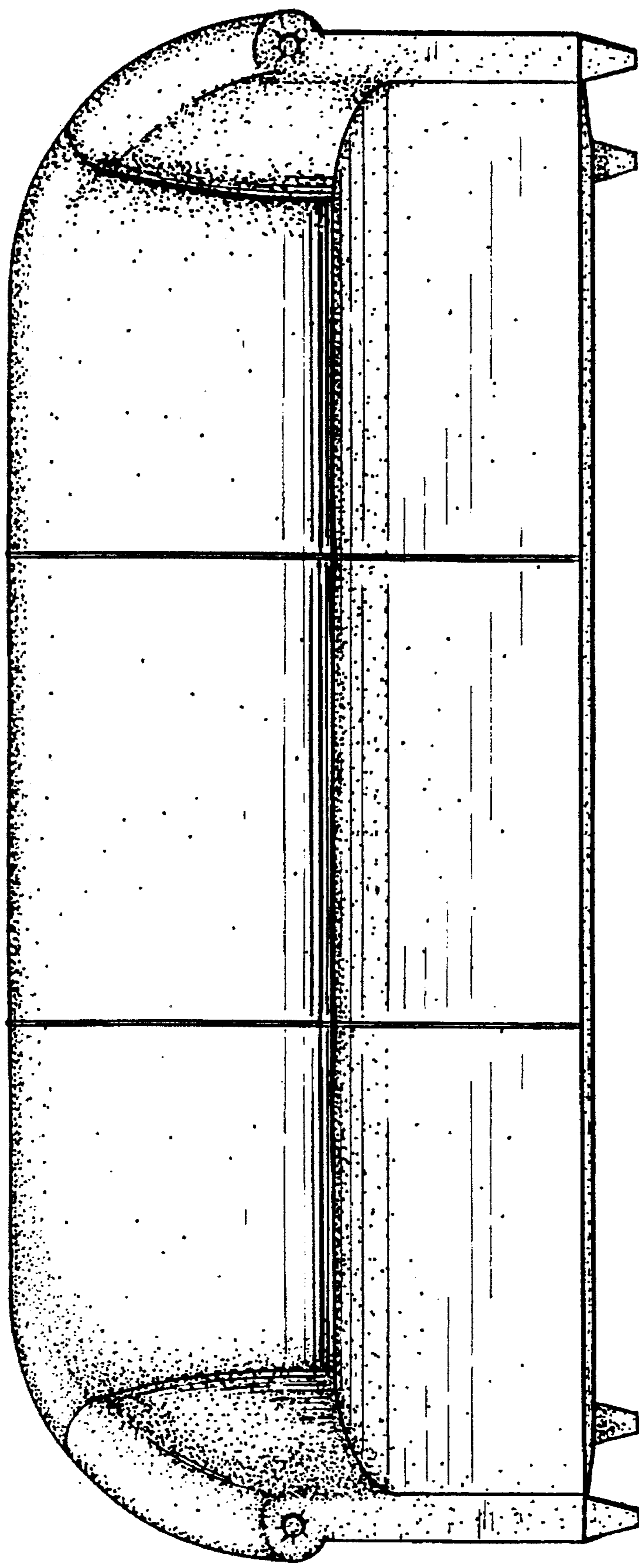


FIG. 2

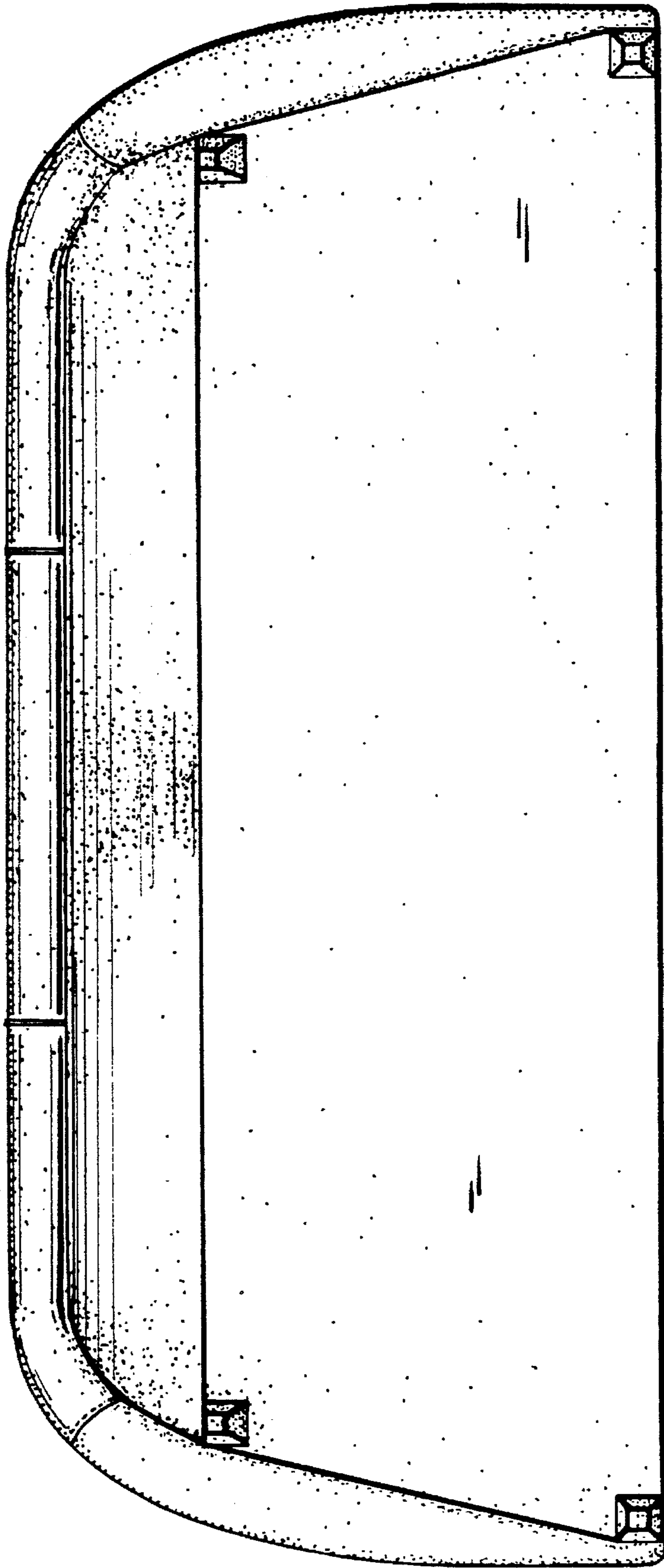


FIG. 3

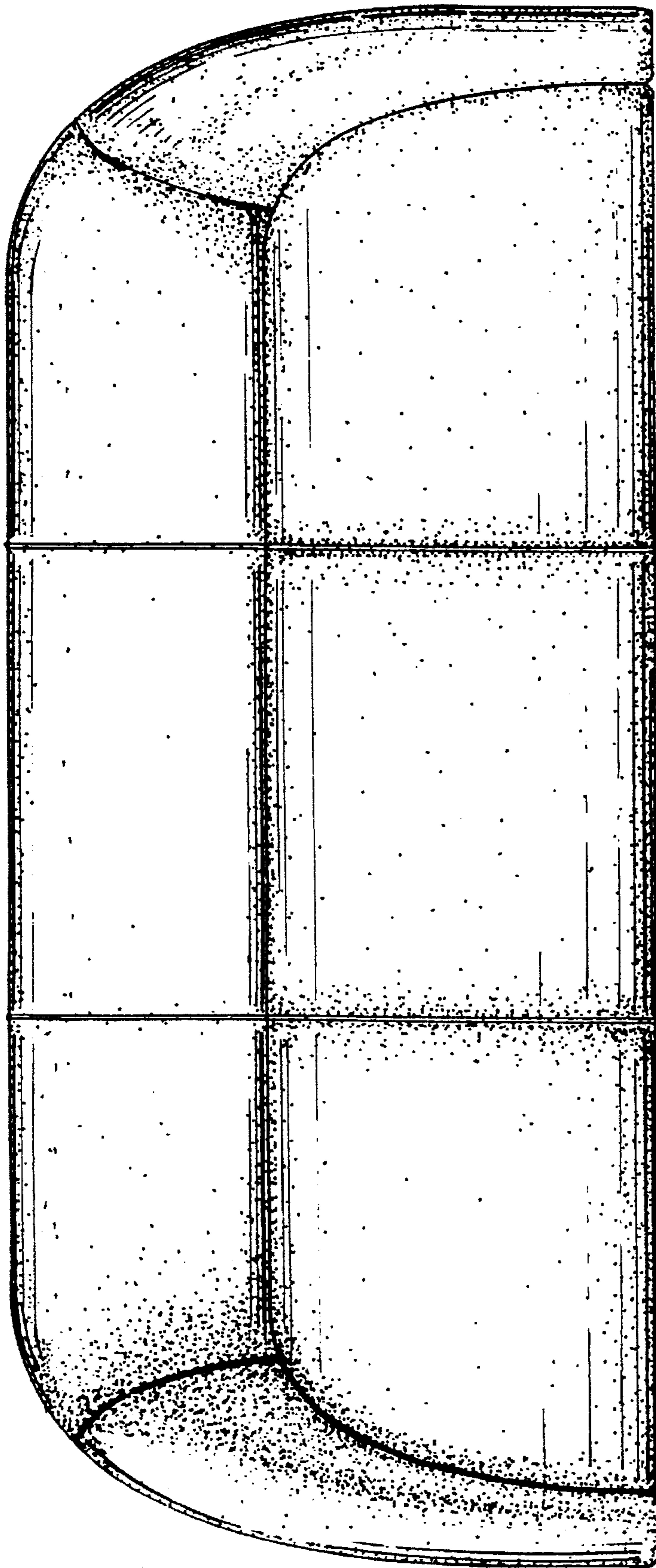


FIG. 4

FIG. 5

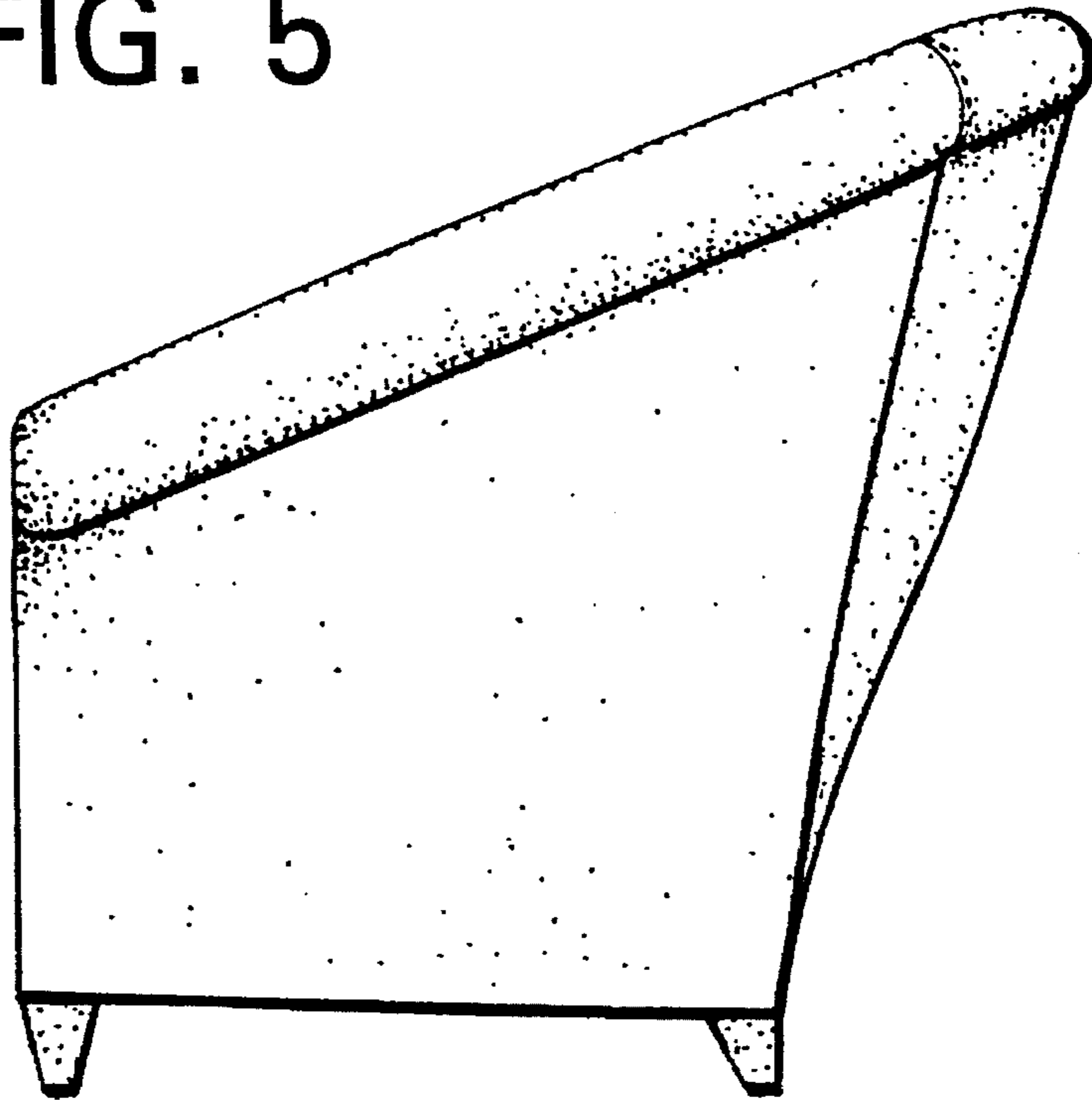
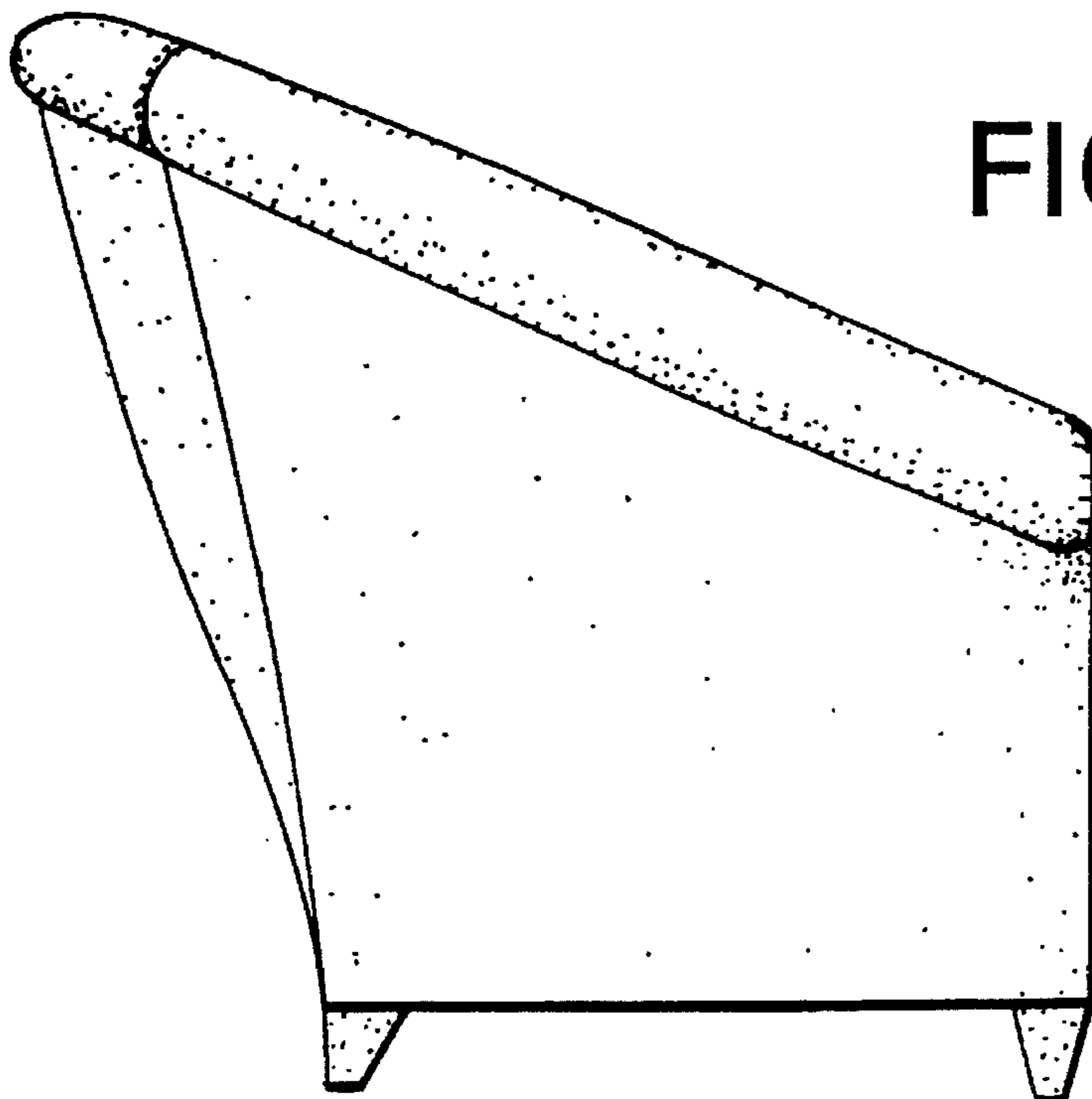


FIG. 6



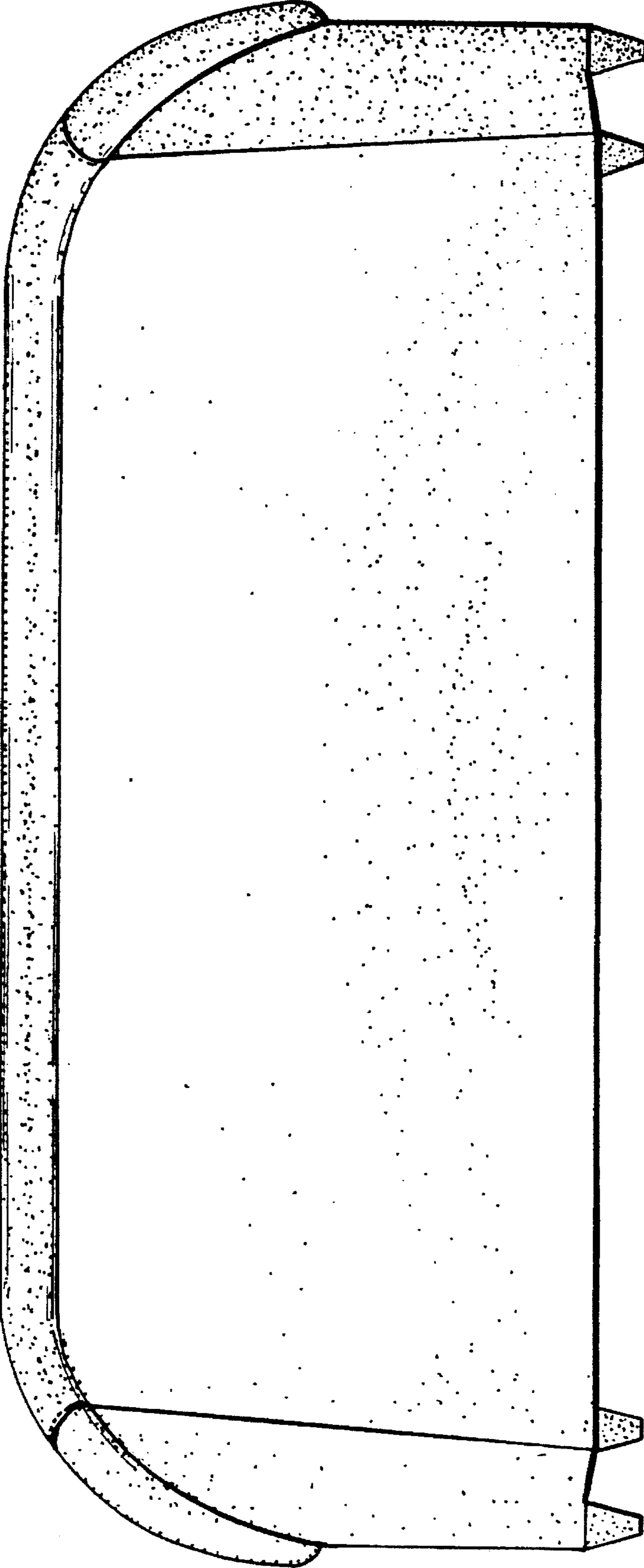


FIG. 7