



US00D364749S

United States Patent [19] McKnight

[11] Patent Number: **Des. 364,749**
[45] Date of Patent: ****Dec. 5, 1995**

[54] MODULAR FURNITURE

[76] Inventor: **Herbert McKnight**, Grant 27, 339
Grays Creek Rd., Tioga, La. 71477

[**] Term: **14 Years**

[21] Appl. No.: **21,860**

[22] Filed: **Apr. 25, 1994**

[52] U.S. Cl. **D6/375**

[58] Field of Search D6/334, 335, 336,
D6/364, 371, 373, 374, 375, 381, 500,
501, 502; 297/232, 452.17, DIG. 2

[56] References Cited

U.S. PATENT DOCUMENTS

D. 237,764	11/1975	Prevost	D6/334
D. 274,576	7/1984	Tiffany	D6/335
D. 286,586	11/1986	Radford	D6/334
3,952,396	4/1976	Werner	297/445 X
4,027,888	6/1977	Wilcox	297/452.17
4,230,365	10/1980	Messinger	297/452.17 X
4,580,841	4/1986	Rafferty	297/445 X
4,588,227	5/1986	Austin	297/445 X

OTHER PUBLICATIONS

Mobi Corporation, Lounge Chair at bottom left.

Primary Examiner—Alan P. Douglas
Assistant Examiner—Gary D. Watson
Attorney, Agent, or Firm—Terry M. Gernstein

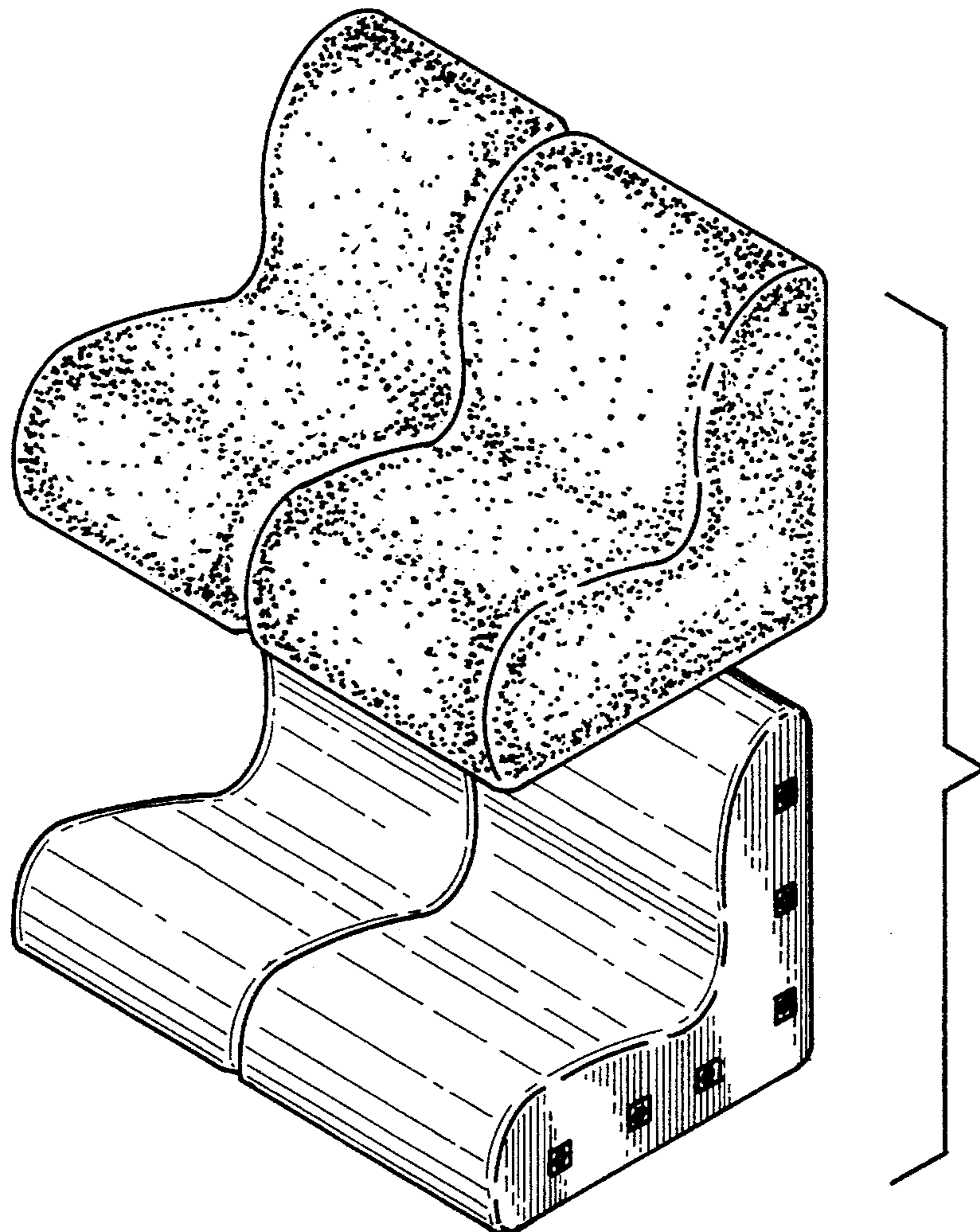
[57] CLAIM

The ornamental design for modular furniture, as shown and described.

DESCRIPTION

FIG. 1 is a front, top and side perspective view of the modular furniture showing my new design with the cover removed for the sake of clarity of illustration; FIG. 2 is a front elevational view thereof; FIG. 3 is a rear elevational view thereof; FIG. 4 is a side elevational view thereof, the side opposite being a mirror image of the side shown in FIG. 4; FIG. 5 is a top plan view thereof; and, FIG. 6 is a bottom plan view thereof.

1 Claim, 3 Drawing Sheets



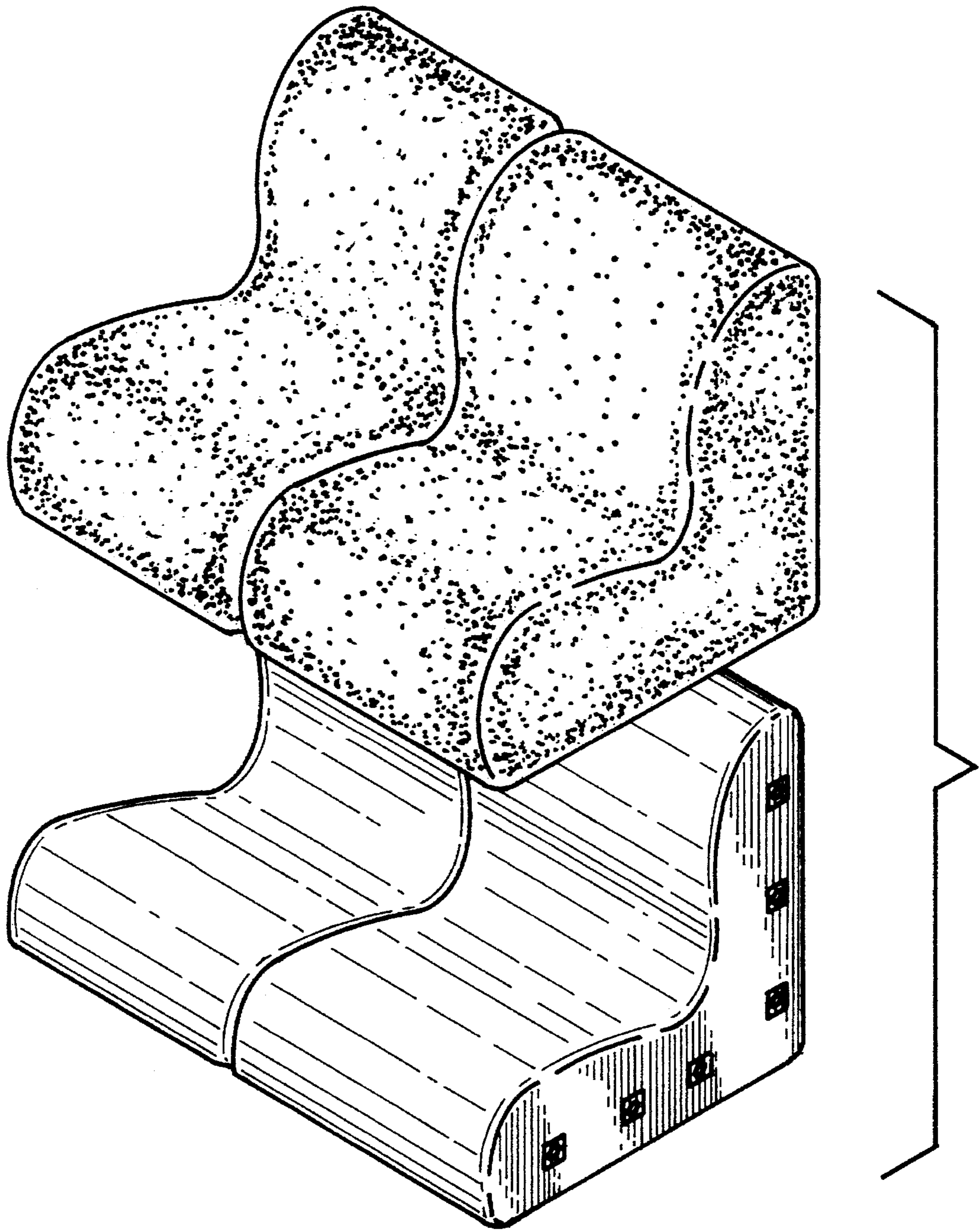


FIG. 1

FIG. 2

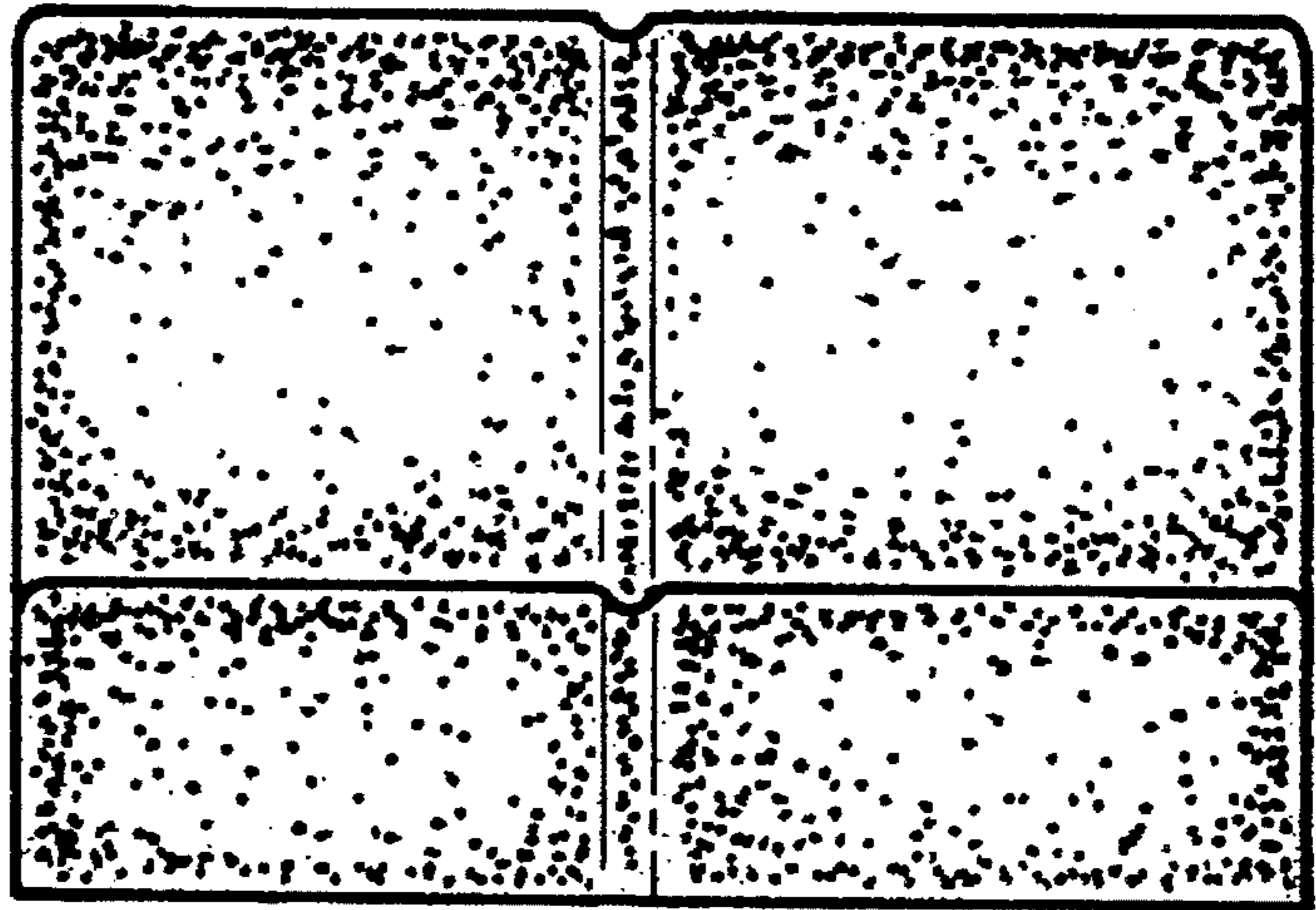


FIG. 3

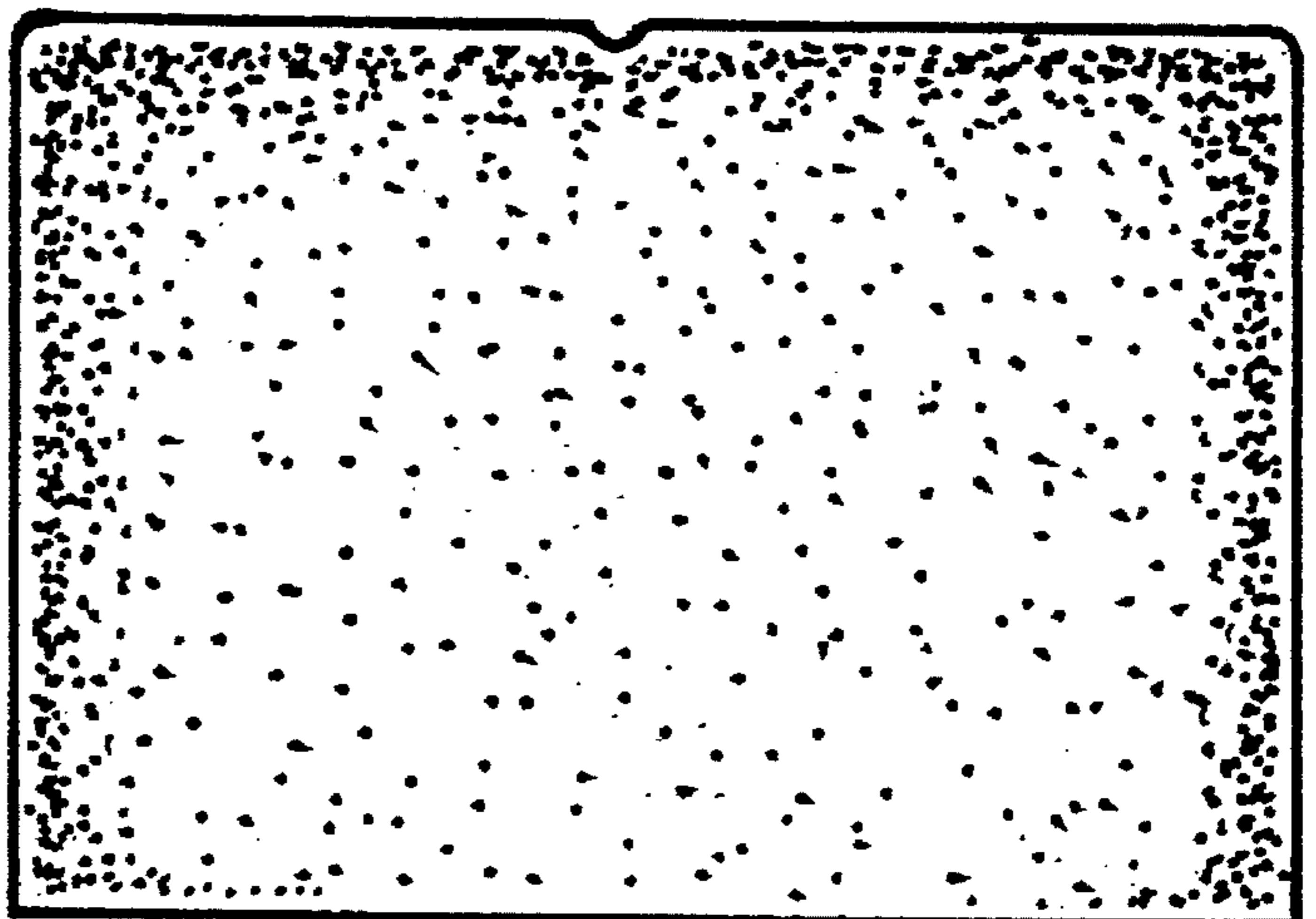


FIG. 4

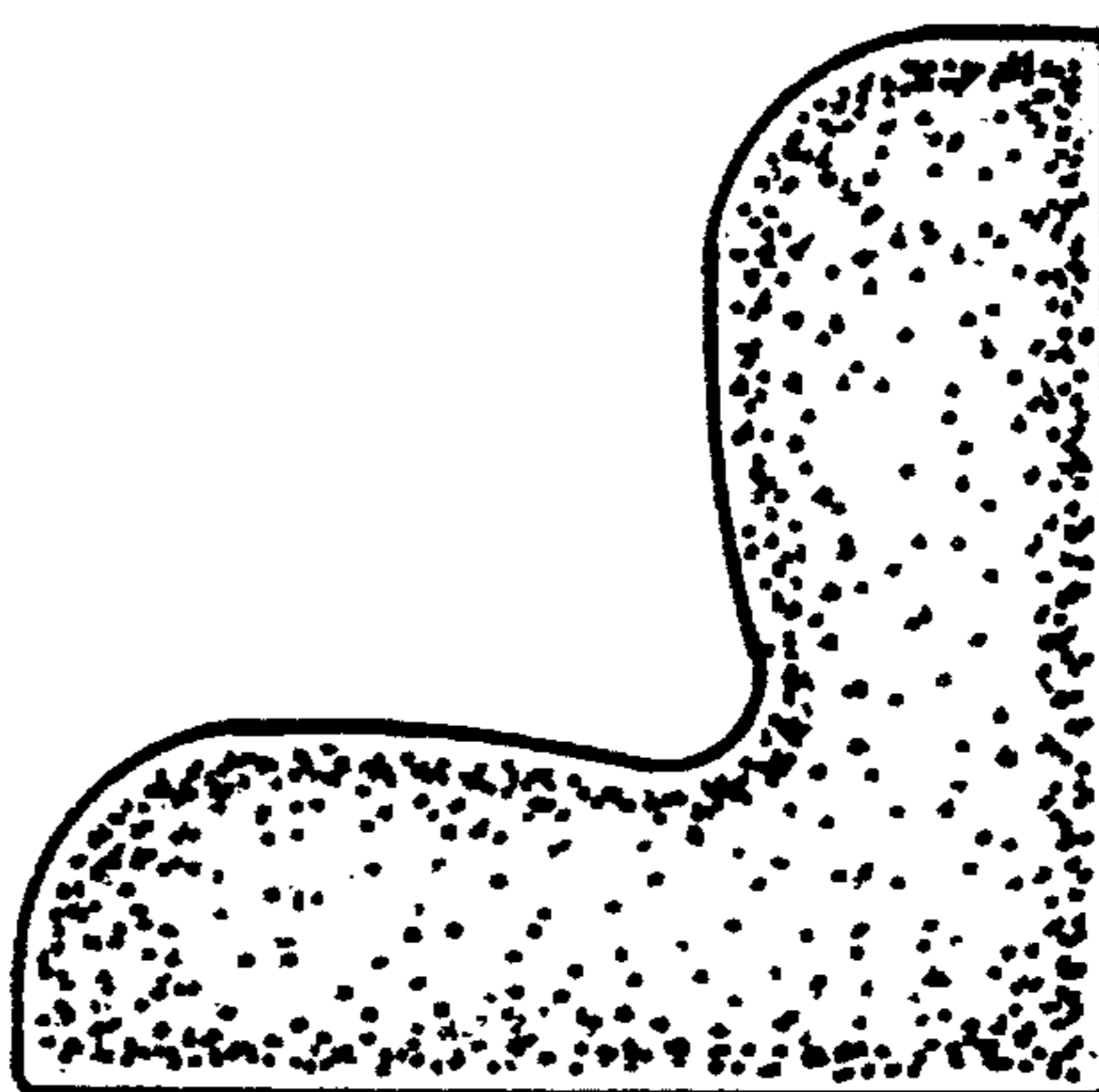


FIG. 5

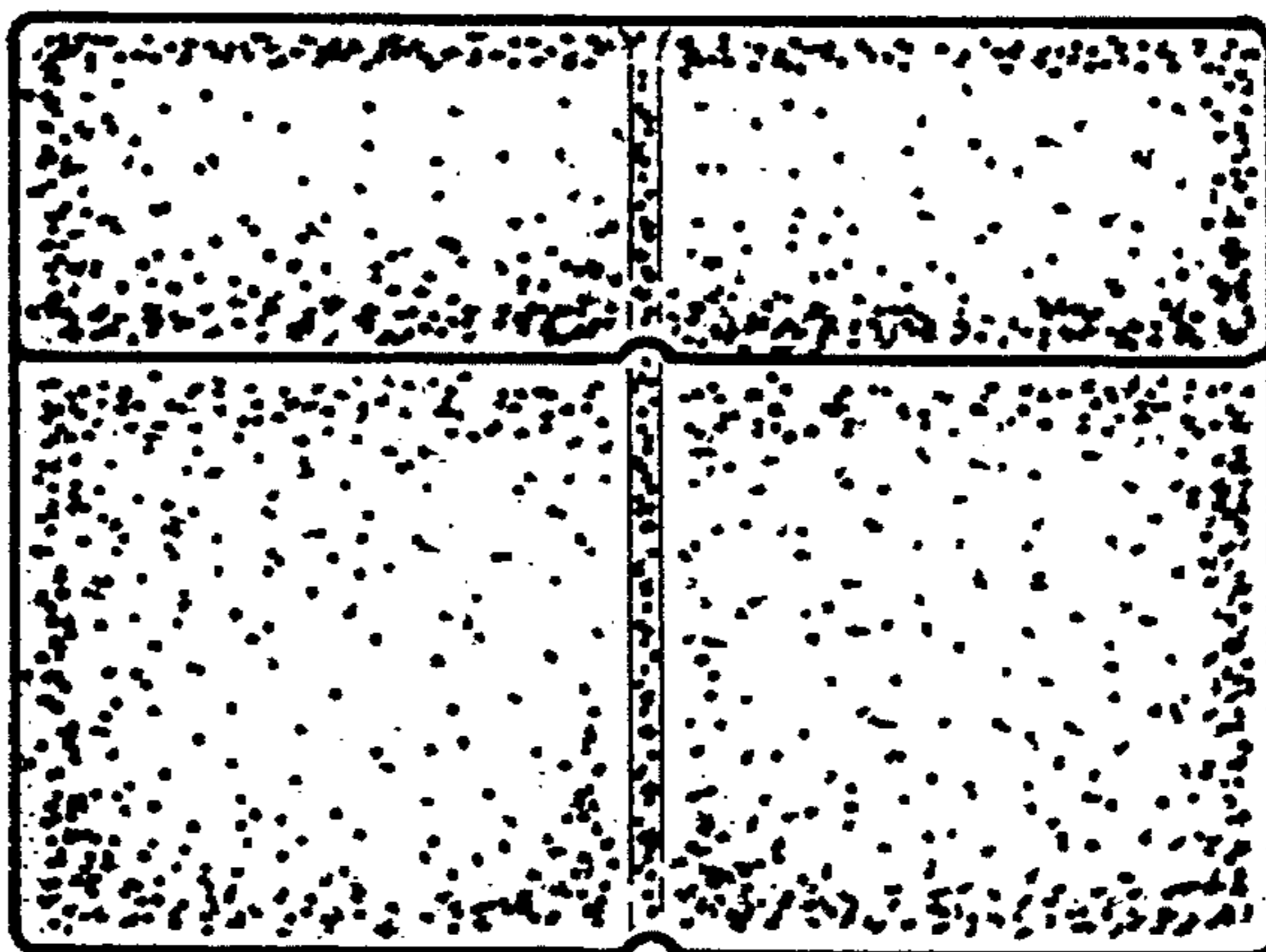


FIG. 6

