



US00D364747S

United States Patent [19]

Schuppel et al.

[11] Patent Number: **Des. 364,747**

[45] Date of Patent: ****Dec. 5, 1995**

[54] **PORTABLE SEAT**

4,436,340 3/1984 Hernandez D6/349 X

[76] Inventors: **James S. Schuppel**, 611 S. Dakota Ave., New Richmond, Wis. 54017; **Todd M. Dolan**, 1501 W. Heggen, No. 205, Hudson, Wis. 54016; **Steven C. Doonan**, 3395 Yankee Doodle La., #306, Eagan, Minn. 55121

Primary Examiner—Alan P. Douglas
Assistant Examiner—Gary D. Watson
Attorney, Agent, or Firm—Joel D. Skinner, Jr.

[**] Term: **14 Years**

[57] CLAIM

The ornamental design for a portable seat, as shown and described.

[21] Appl. No.: **31,288**

DESCRIPTION

[22] Filed: **Nov. 21, 1994**

[52] U.S. Cl. **D6/368**

[58] **Field of Search** D6/334, 335, 336,
D6/349, 368, 374, 380, 500, 501, 502;
297/352, 378.1

FIG. 1 is a perspective view of the portable seat showing the new design;
FIG. 2 is a side view of the portable seat, shown used in conjunction with atop a pail (phantom);
FIG. 3 is an opposite side view thereof;
FIG. 4 is top view thereof;
FIG. 5 is a bottom view thereof;
FIG. 6 is a front view thereof;
FIG. 7 is a back view thereof; and,
FIG. 8 is a perspective view of the portable seat in a collapsed orientation.

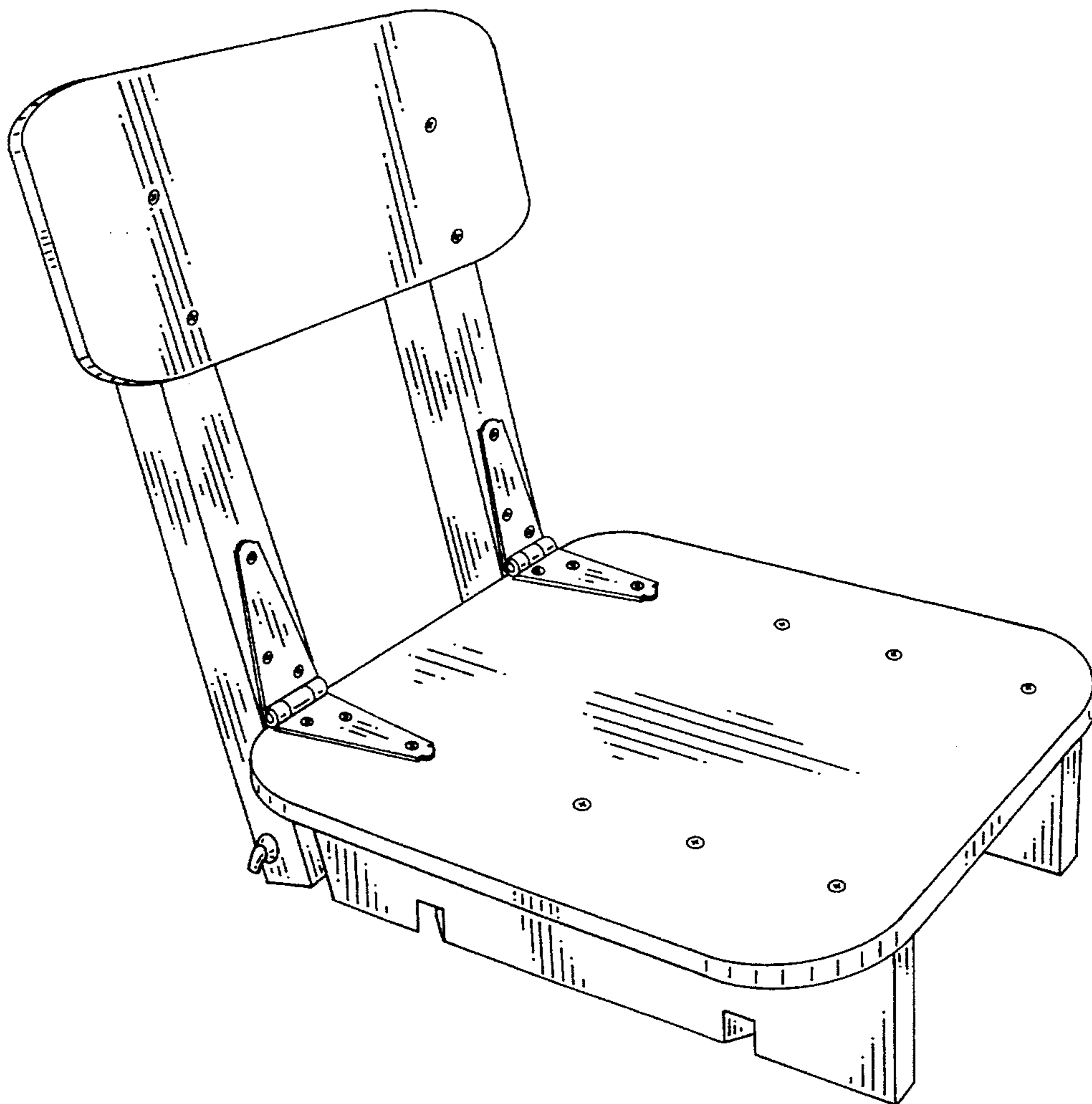
[56] References Cited

U.S. PATENT DOCUMENTS

D. 178,900	10/1956	O'Neill	D6/368
D. 227,833	7/1973	Olson	D6/368
D. 252,658	8/1979	Kressin	D6/368
D. 312,004	11/1990	Smith et al.	D6/368
D. 355,988	3/1995	Brooking	D6/349 X

The broken line showing of a pail in FIG. 2 is for illustrative purposes only and forms no part of the claimed design.

1 Claim, 6 Drawing Sheets



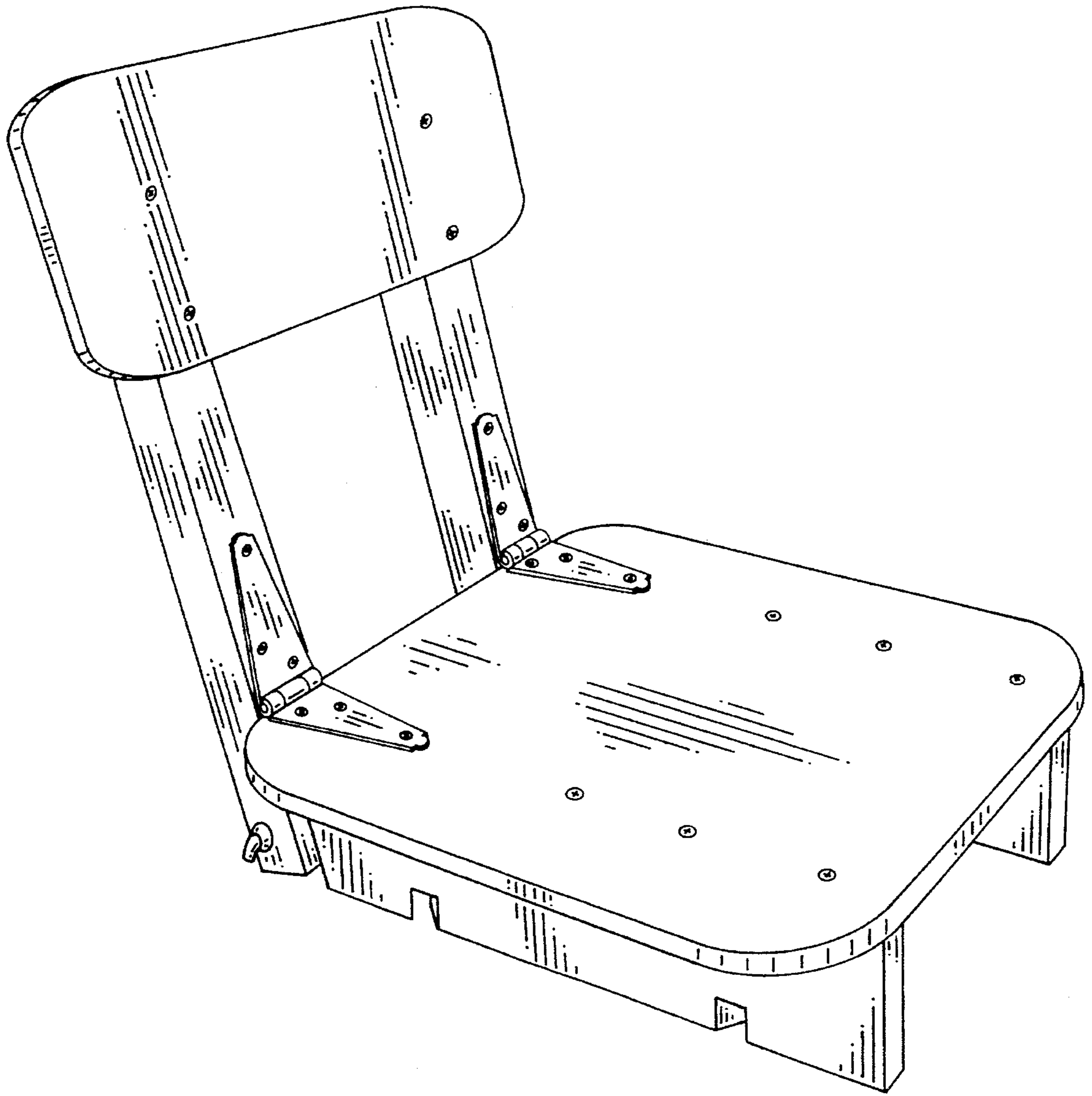


FIG. 1

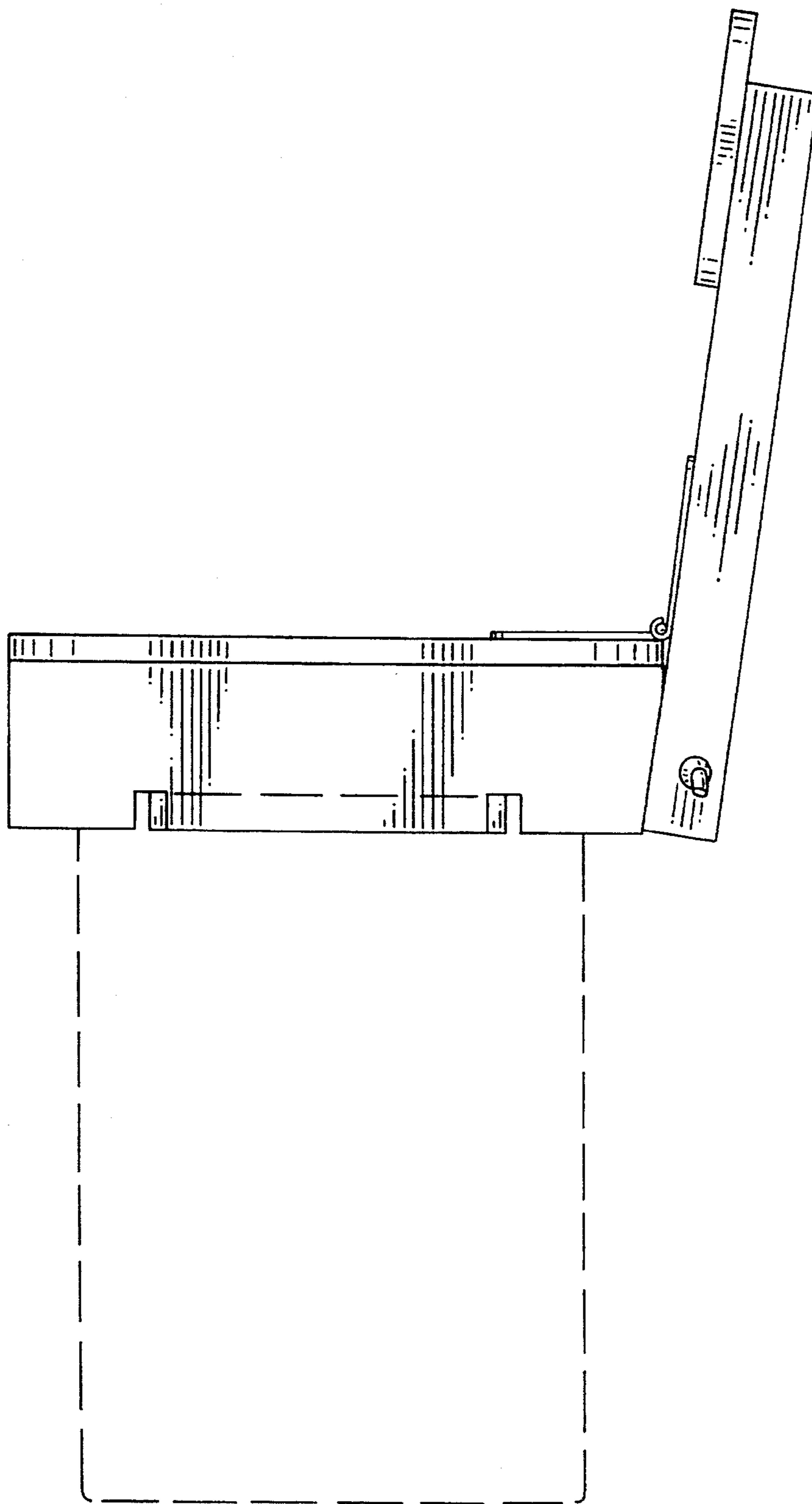


FIG. 2

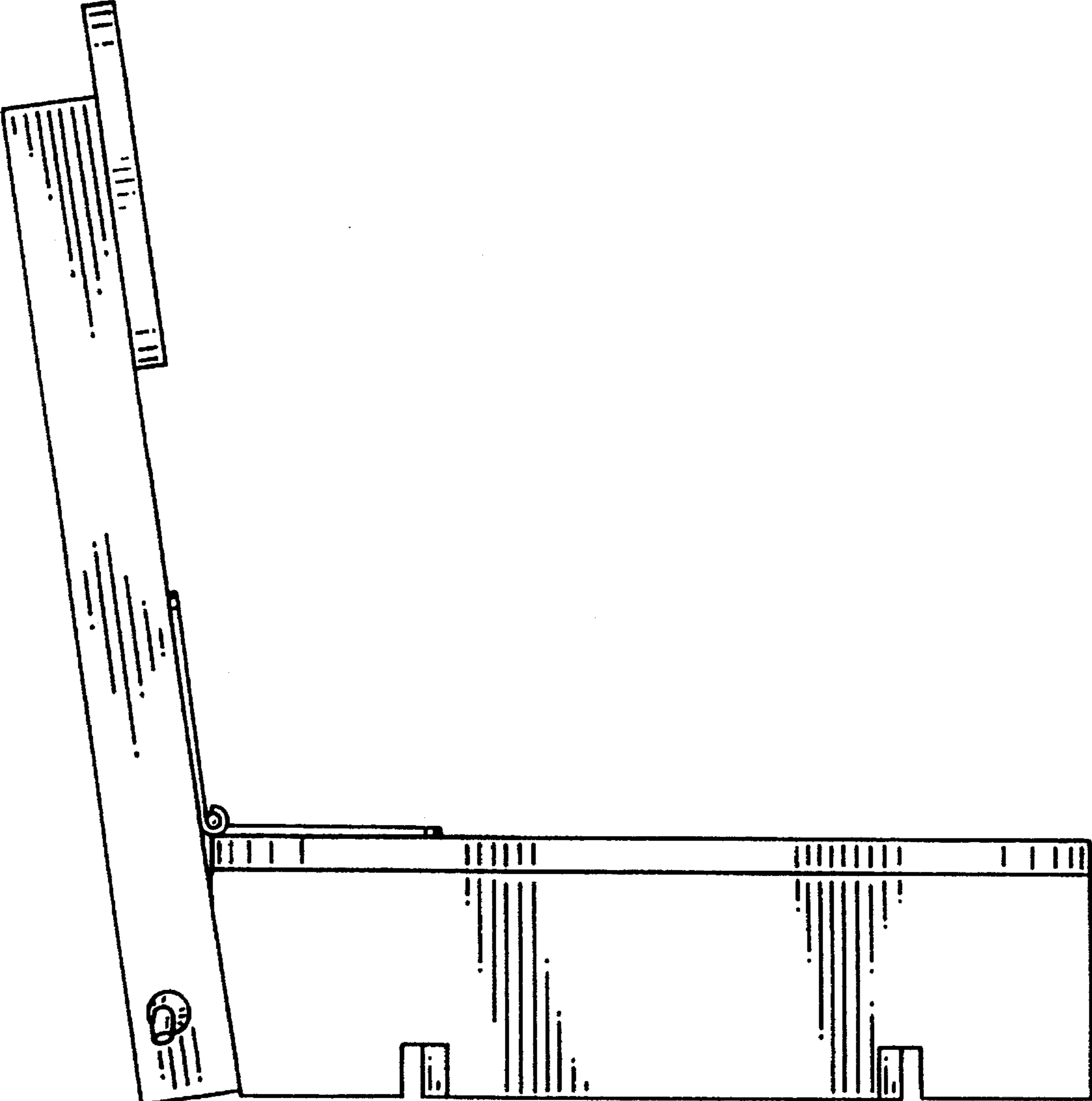


FIG. 3

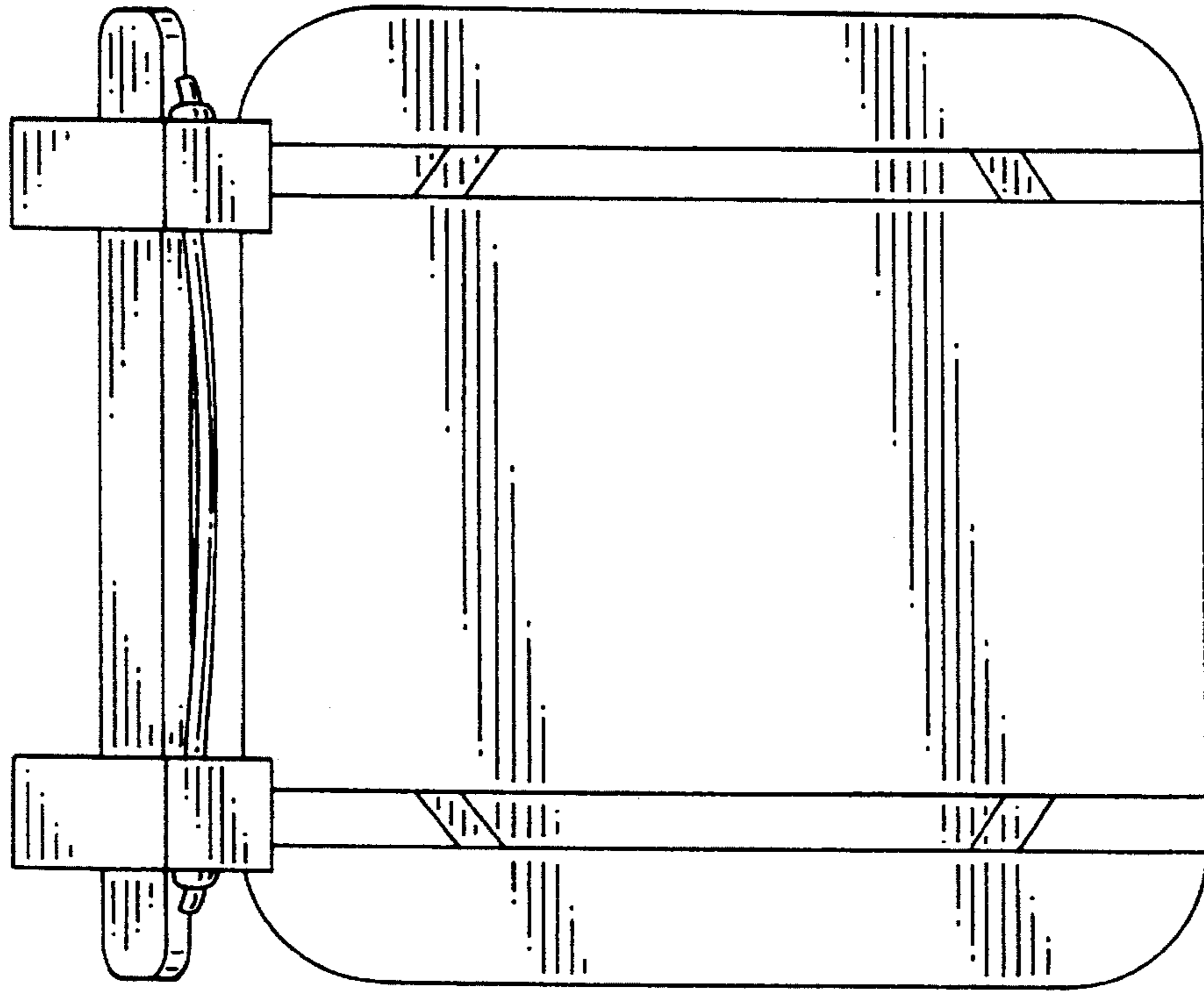


FIG. 5

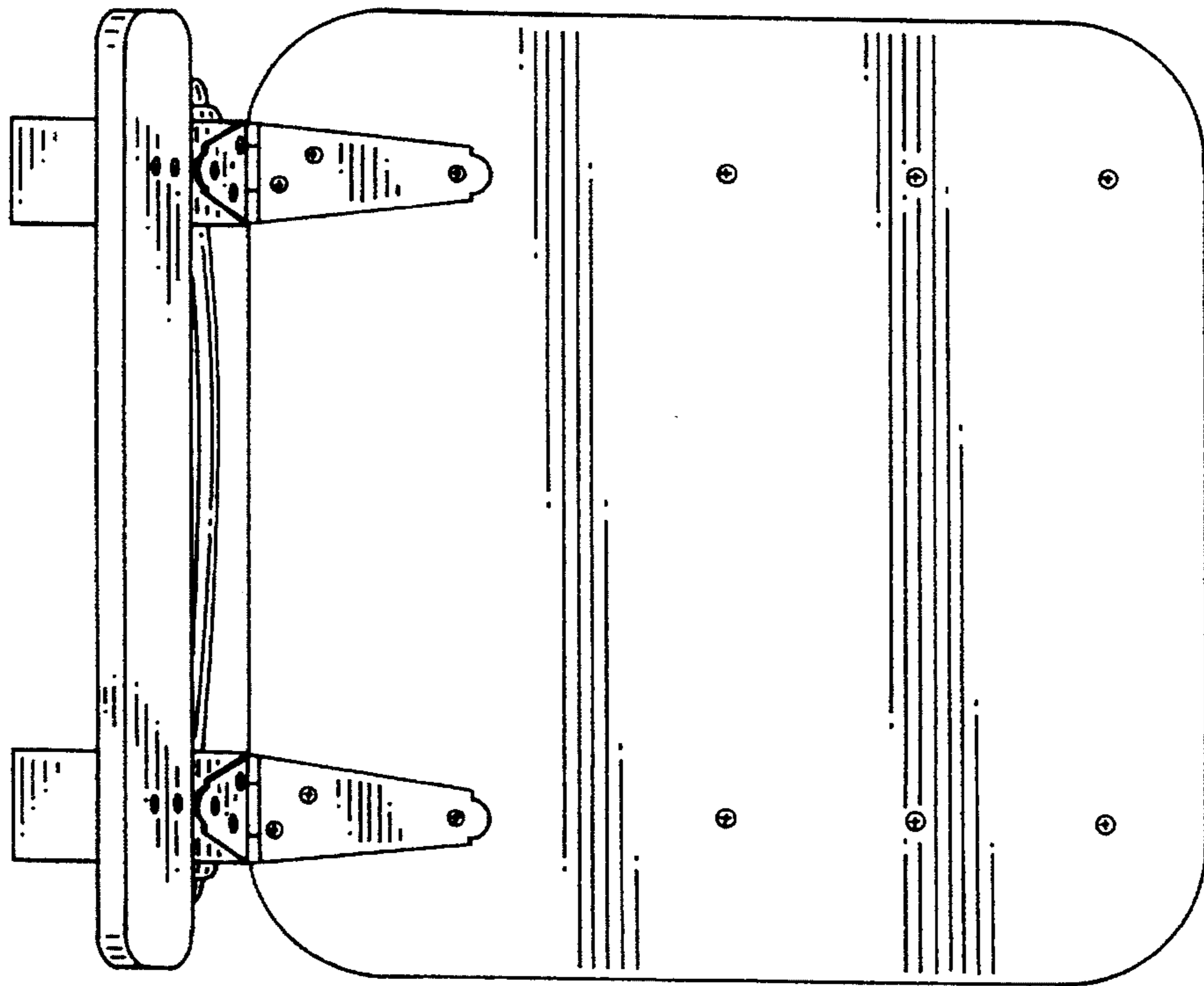


FIG. 4

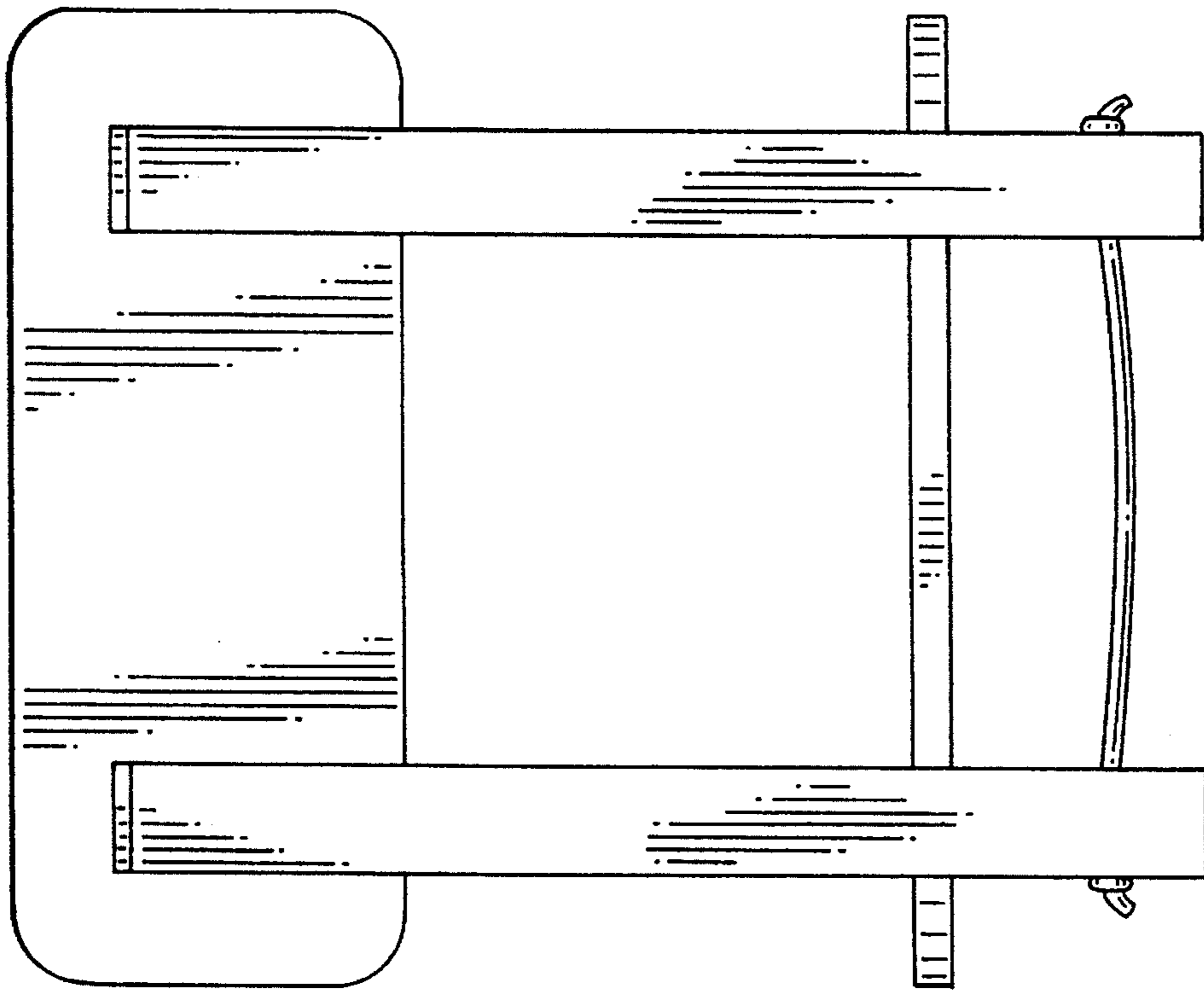


FIG. 7

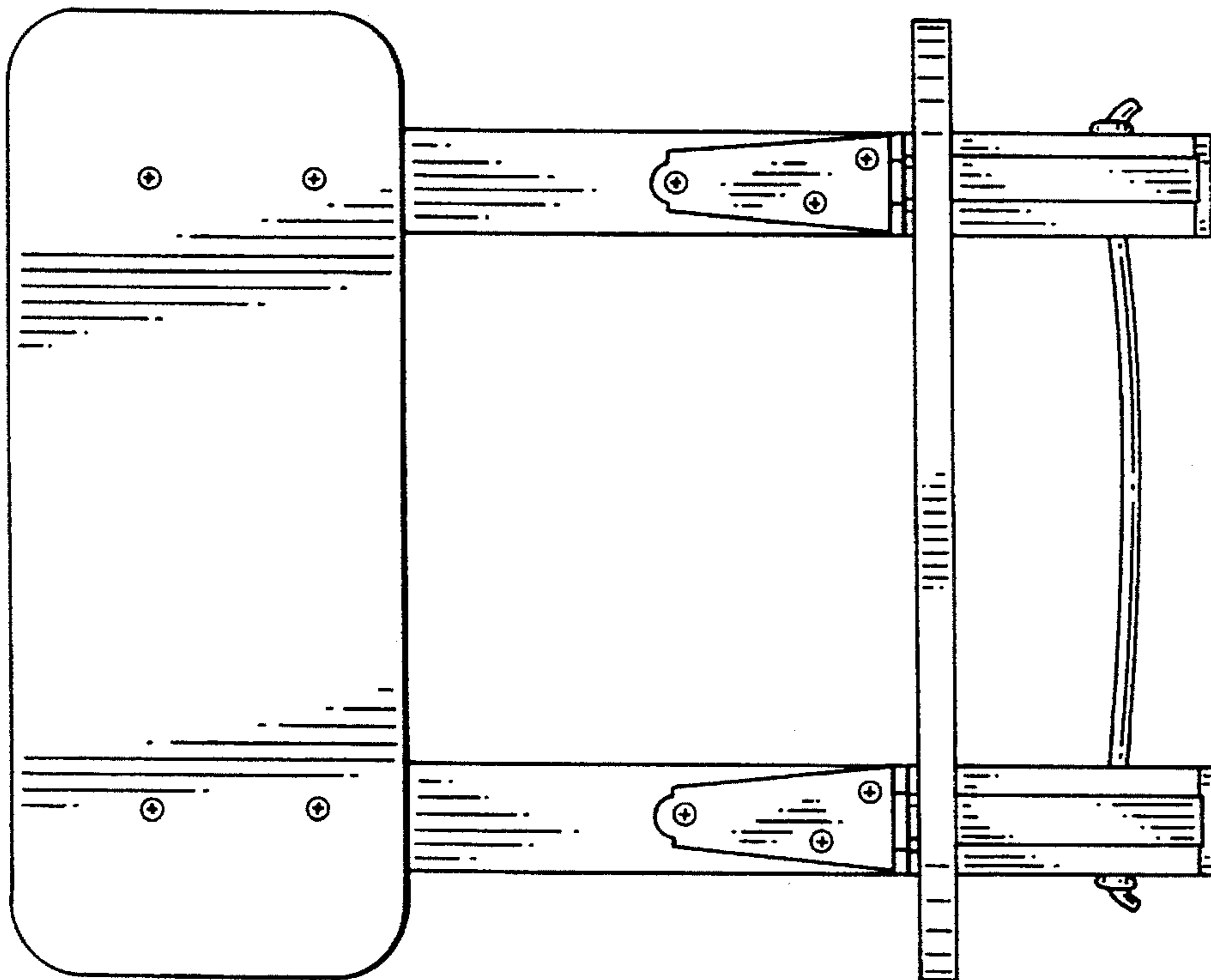


FIG. 6



FIG. 8