



US00D364746S

United States Patent [19]

[11] Patent Number: **Des. 364,746**

Lerner et al.

[45] Date of Patent: ****Dec. 5, 1995**

[54] **HIGHCHAIR**

[75] Inventors: **Michael I. Lerner**, Boston, Mass.;
Michael S. Bernstein, Natick, Mass.
David W. Crossley, Woonsocket, R.I.;
Randy L. Abrams, Leominster, Mass.

[73] Assignee: **Safety 1st, Inc.**, Chestnut Hill, Mass.

[**] Term: **14 Years**

[21] Appl. No.: **24,560**

[22] Filed: **Jun. 16, 1994**

[52] U.S. Cl. **D6/339; D6/333**

[58] Field of Search **D6/333, 334, 339;**
297/148, 149, 150, 153

[56] **References Cited**

U.S. PATENT DOCUMENTS

D. 246,682	12/1977	Nakao .	
D. 314,674	2/1991	Kohus et al.	D6/333
D. 327,175	6/1992	Mariol	D6/333
D. 330,842	11/1992	Meeker	D6/333
D. 356,689	3/1995	Mariol	D6/333
1,739,366	12/1929	Lang .	
2,466,350	4/1949	Anderson	155/123
2,470,834	5/1949	Peltier	297/149
3,335,434	8/1967	Gamon	5/332
3,575,465	4/1971	Dolby et al.	297/118

4,453,764	6/1984	Hennessy	297/153
4,586,747	5/1986	Taylor	297/250
4,603,903	8/1986	Moscovitch	297/250
4,854,638	8/1989	Marcus et al.	297/250
5,183,311	2/1993	Meeker	297/151

FOREIGN PATENT DOCUMENTS

826960	1/1952	Germany	297/36
--------	--------	---------------	--------

OTHER PUBLICATIONS

Dolly, Inc. Flyer Go'n'Grow 04099 Jul. 1991 (6 pages).

Primary Examiner—Janice E. Seeger

Attorney, Agent, or Firm—Wolf, Greenfield & Sacks

[57] **CLAIM**

The ornamental design for a highchair, as shown and described.

DESCRIPTION

FIG. 1 is a perspective view of the highchair embodying our new design;

FIG. 2 is a top plan view thereof;

FIG. 3 is a front elevational view thereof;

FIG. 4 is a right side elevation view of the highchair, the left side view being the mirror image thereof;

FIG. 5 is a rear elevation view thereof; and,

FIG. 6 is a bottom plan view thereof.

1 Claim, 2 Drawing Sheets

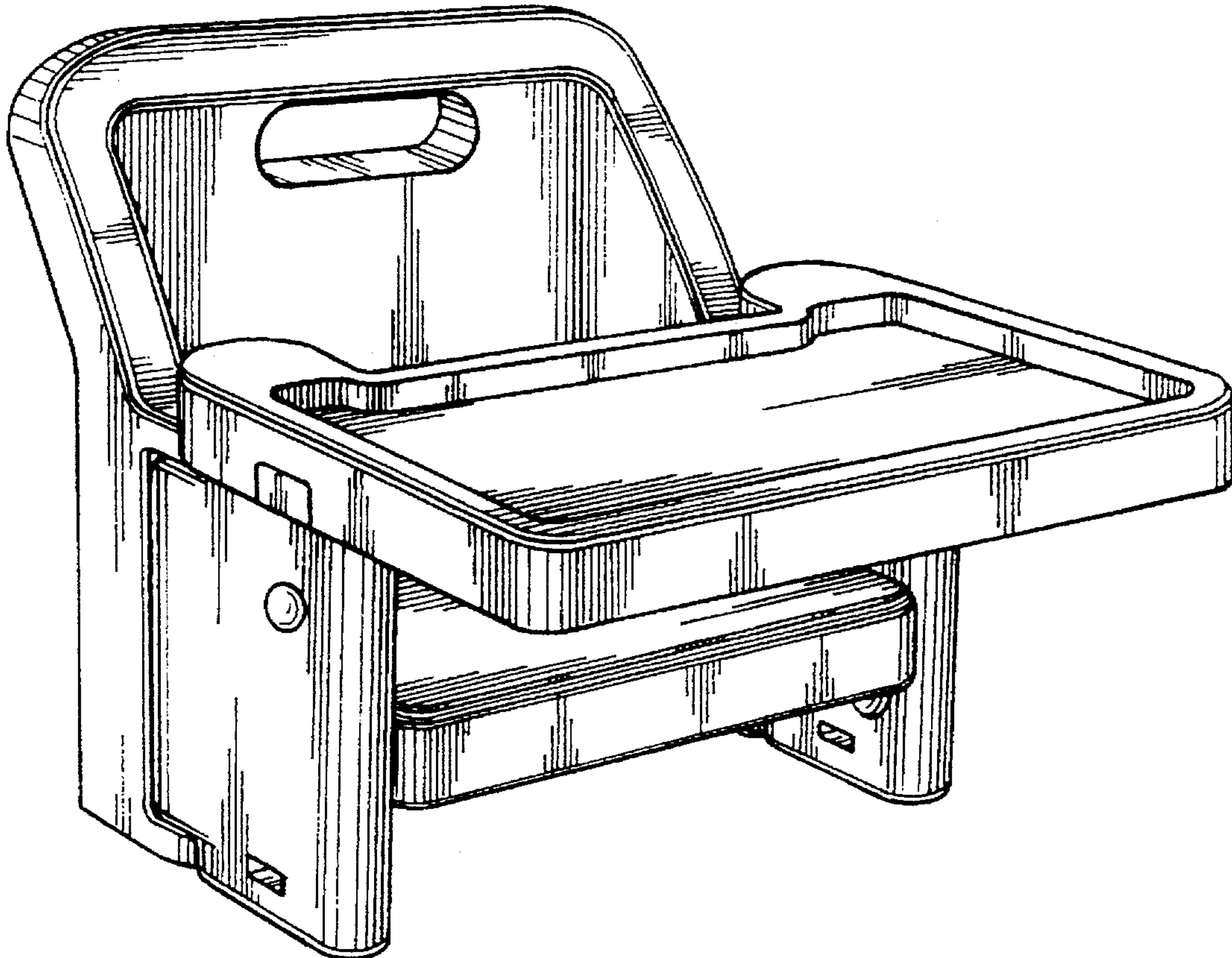


Fig. 1

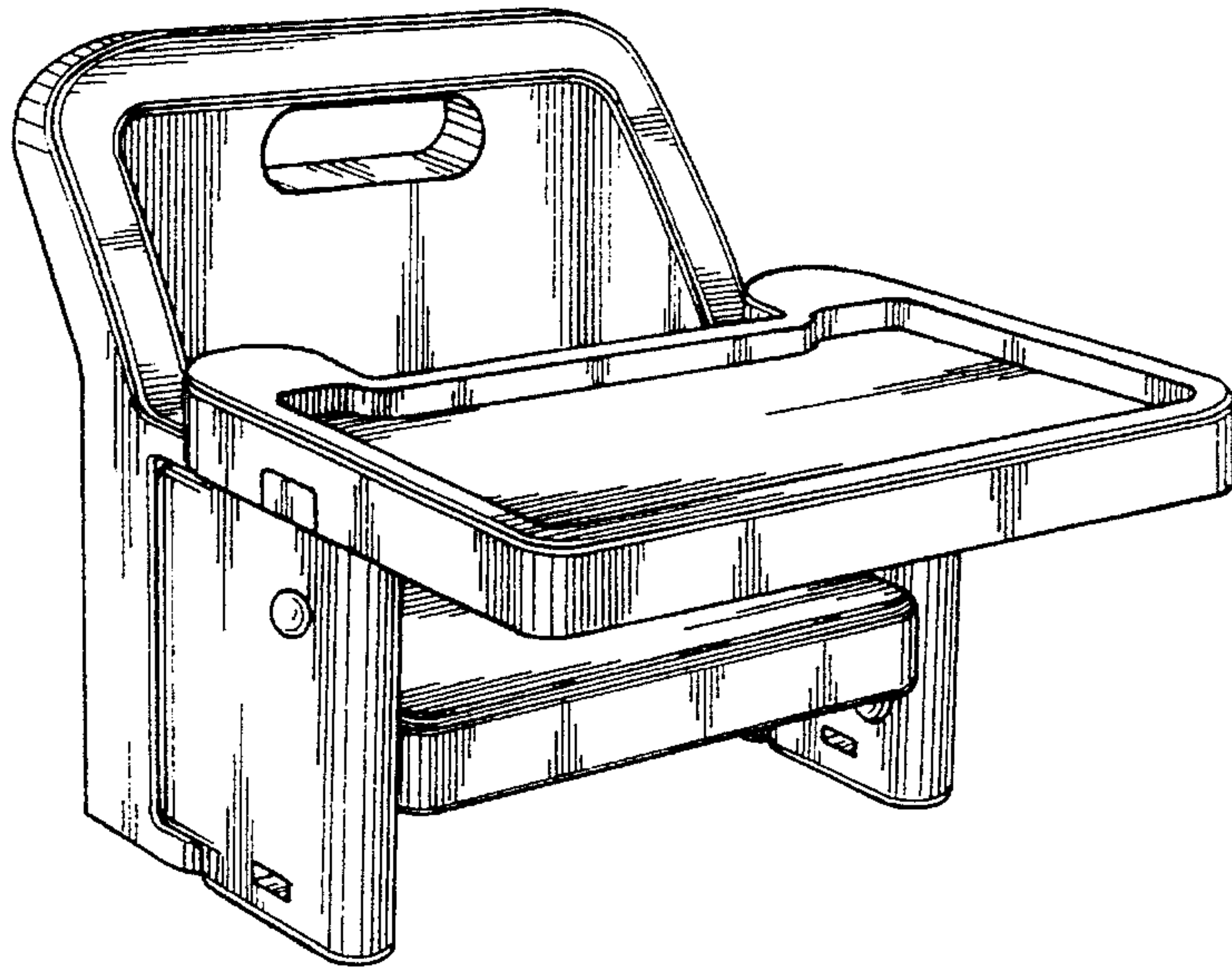


Fig. 2

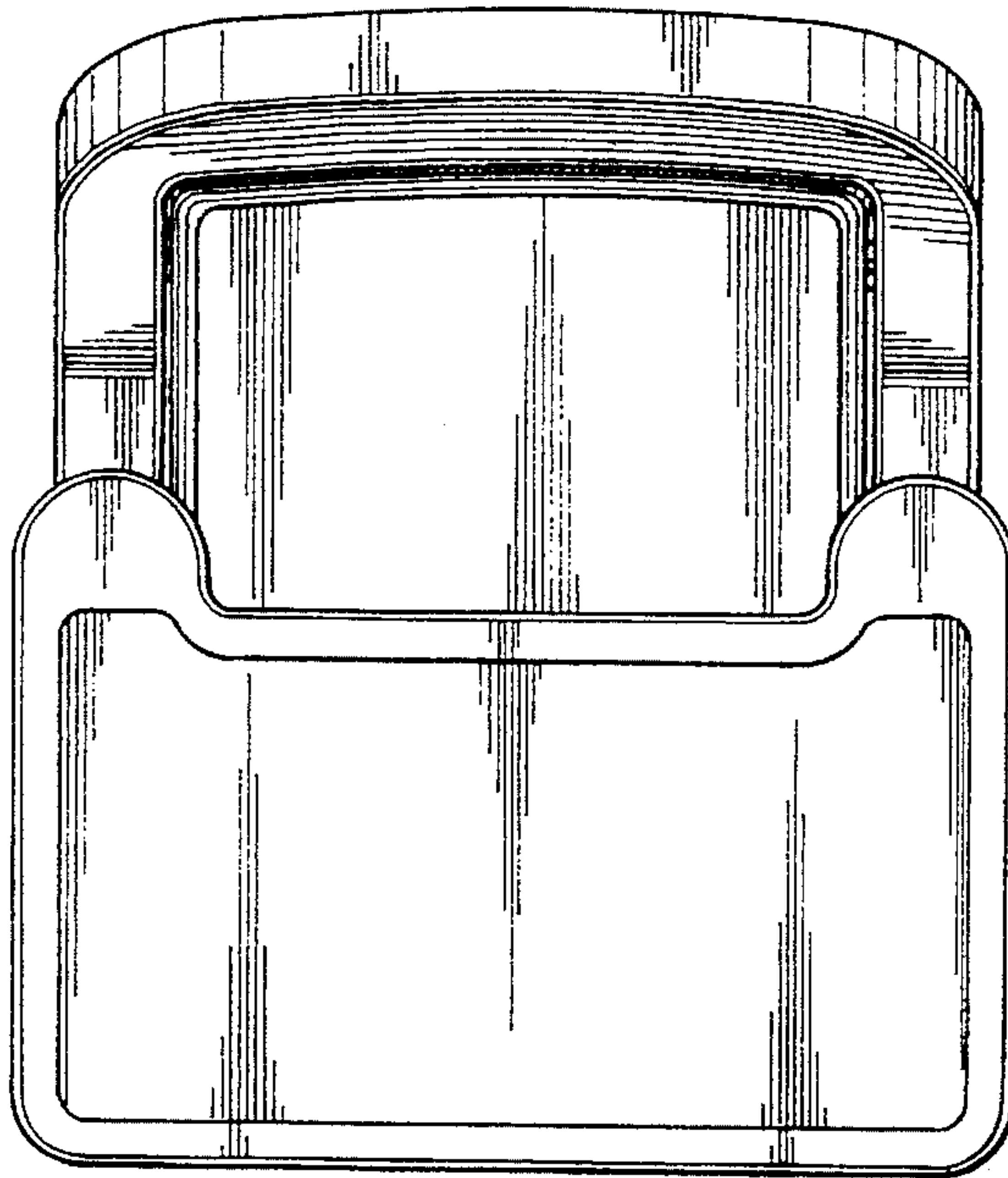


Fig. 3

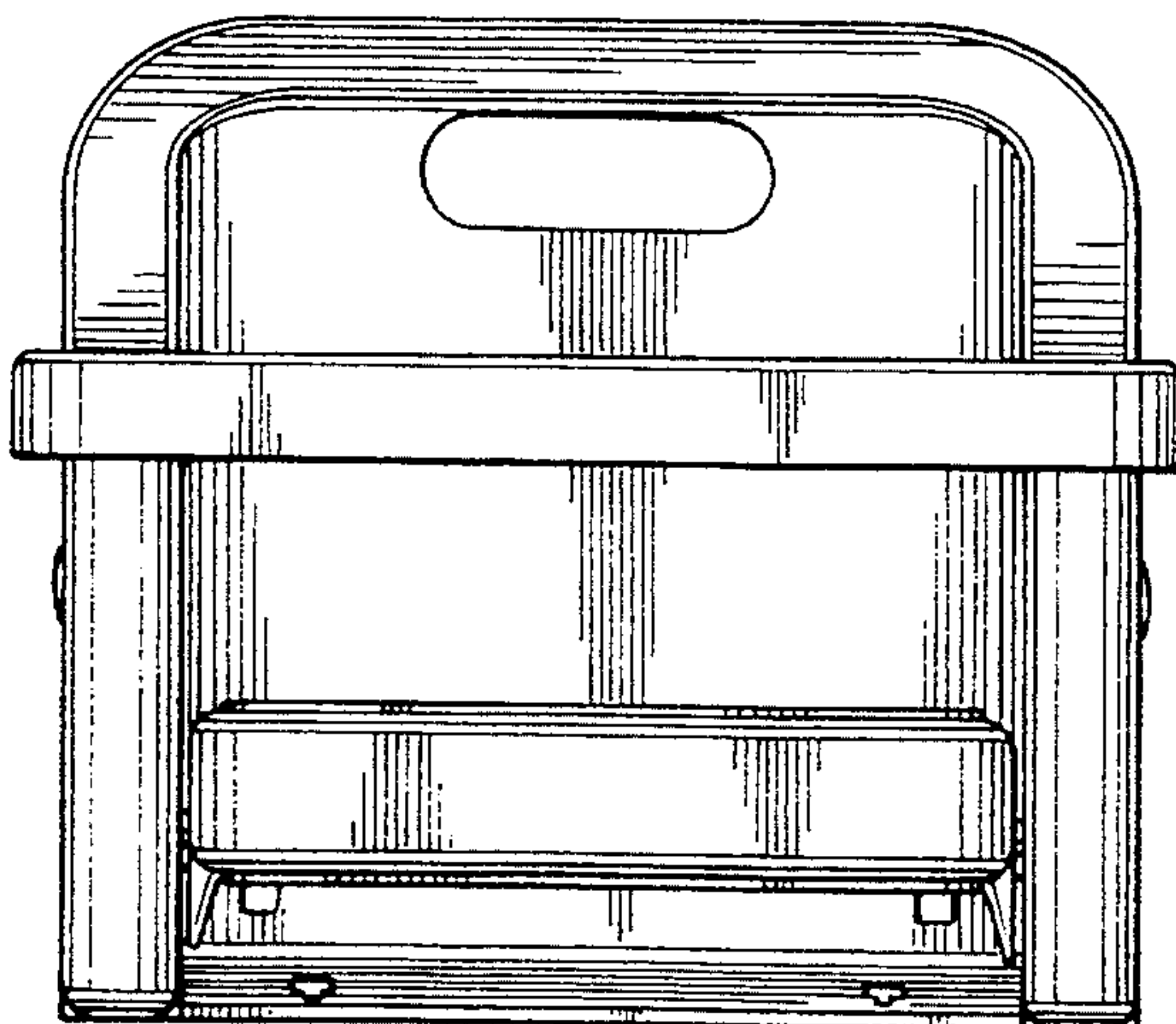


Fig. 4

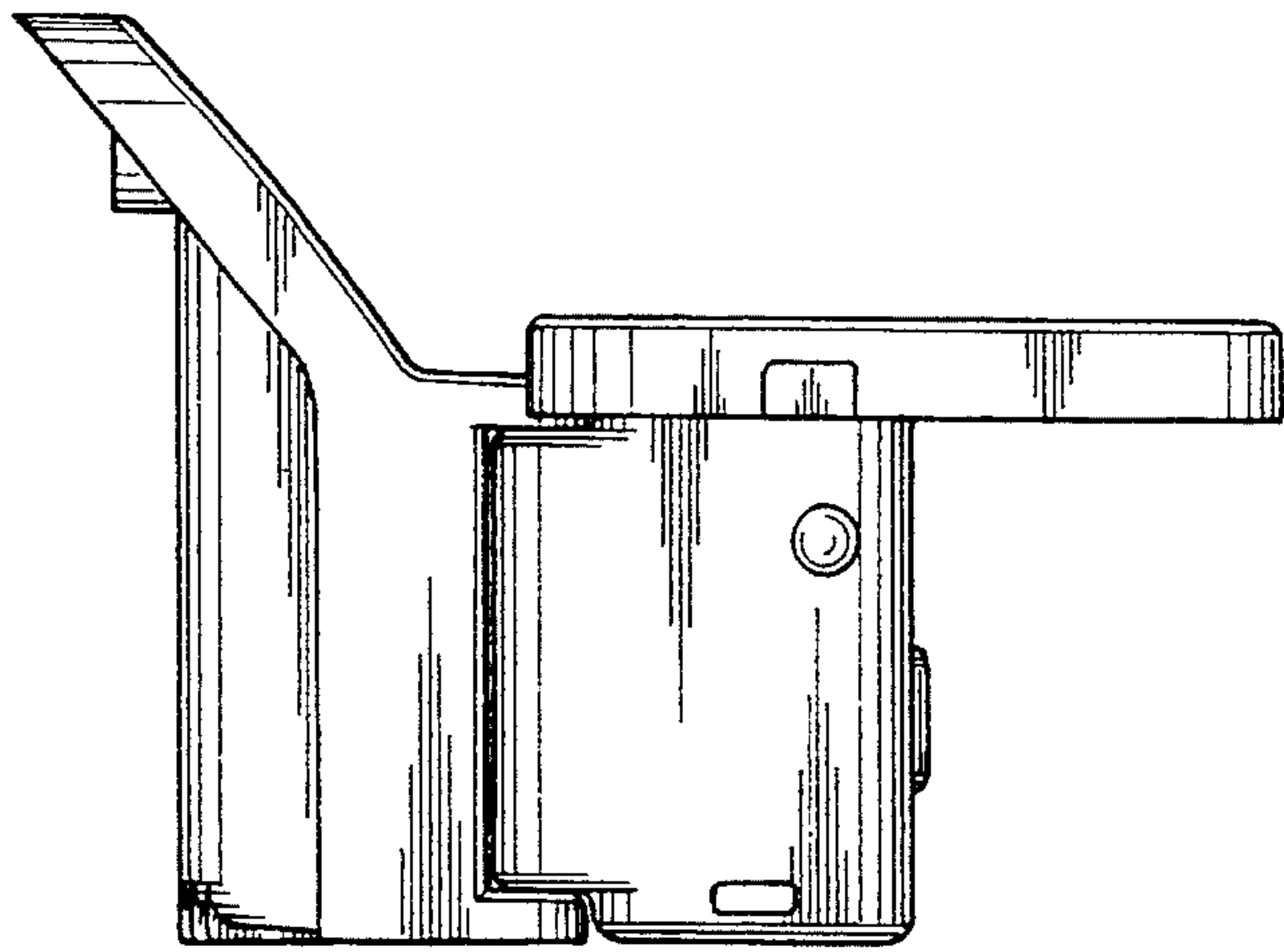


Fig. 5

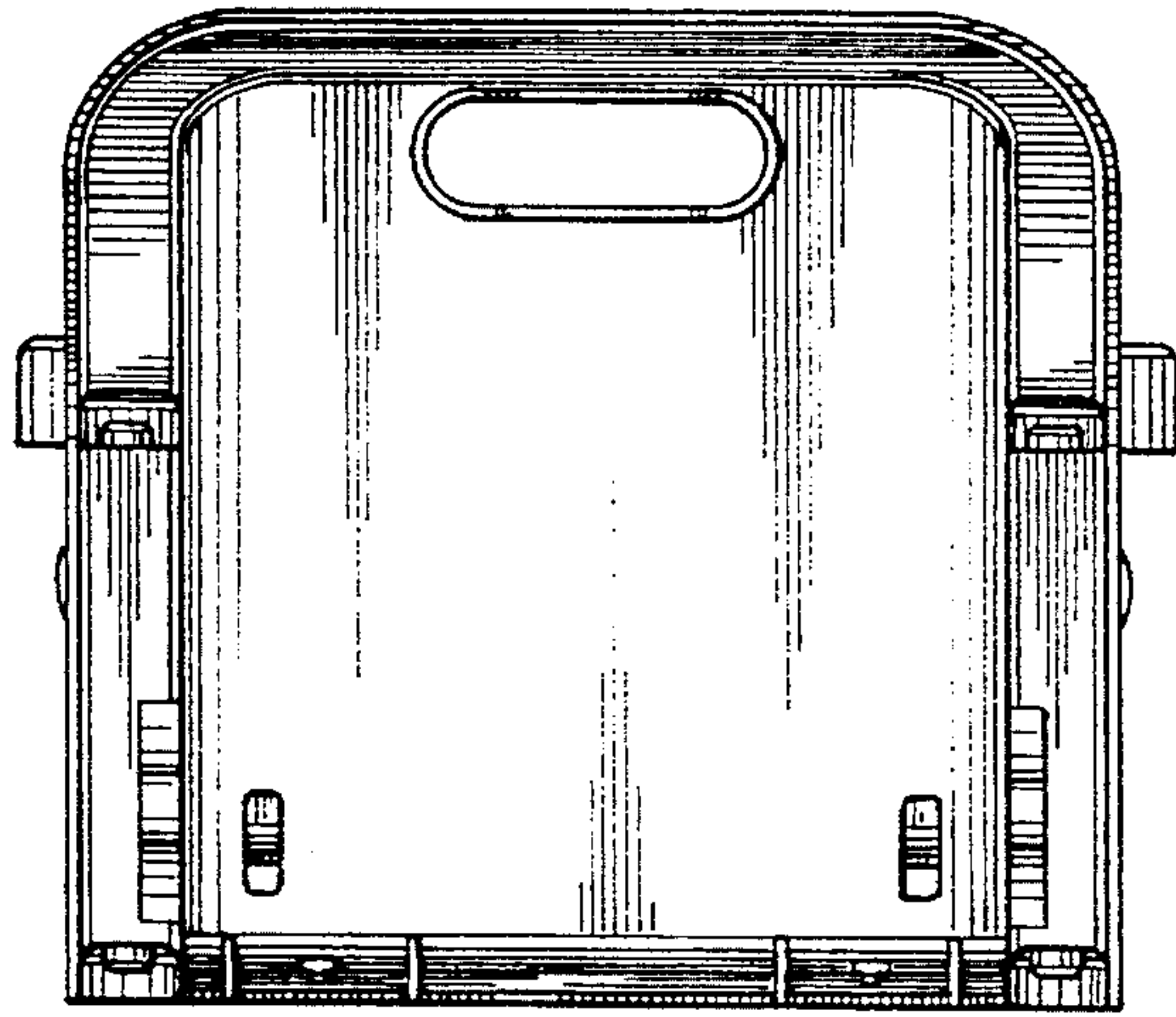


Fig. 6

