



US00D364744S

United States Patent [19]
Hutton

[11] **Patent Number: Des. 364,744**
[45] **Date of Patent: **Dec. 5, 1995**

- [54] **CHAIR**
- [75] Inventor: **John Hutton**, New York, N.Y.
- [73] Assignee: **Donghia Furniture**, New York, N.Y.
- [**] Term: **14 Years**
- [21] Appl. No.: **28,698**
- [22] Filed: **Sep. 20, 1994**
- [52] U.S. Cl. **D6/334**
- [58] **Field of Search** D6/334, 373, 374,
D6/375, 379, 500, 501, 502; 297/445, 446

- D. 348,788 7/1994 Starck D6/375
- D. 358,077 5/1995 Hutton D6/334

Primary Examiner—Alan P. Douglas
Assistant Examiner—Gary D. Watson
Attorney, Agent, or Firm—Kenyon & Kenyon

[57] **CLAIM**

The ornamental design for a chair, as shown and described.

DESCRIPTION

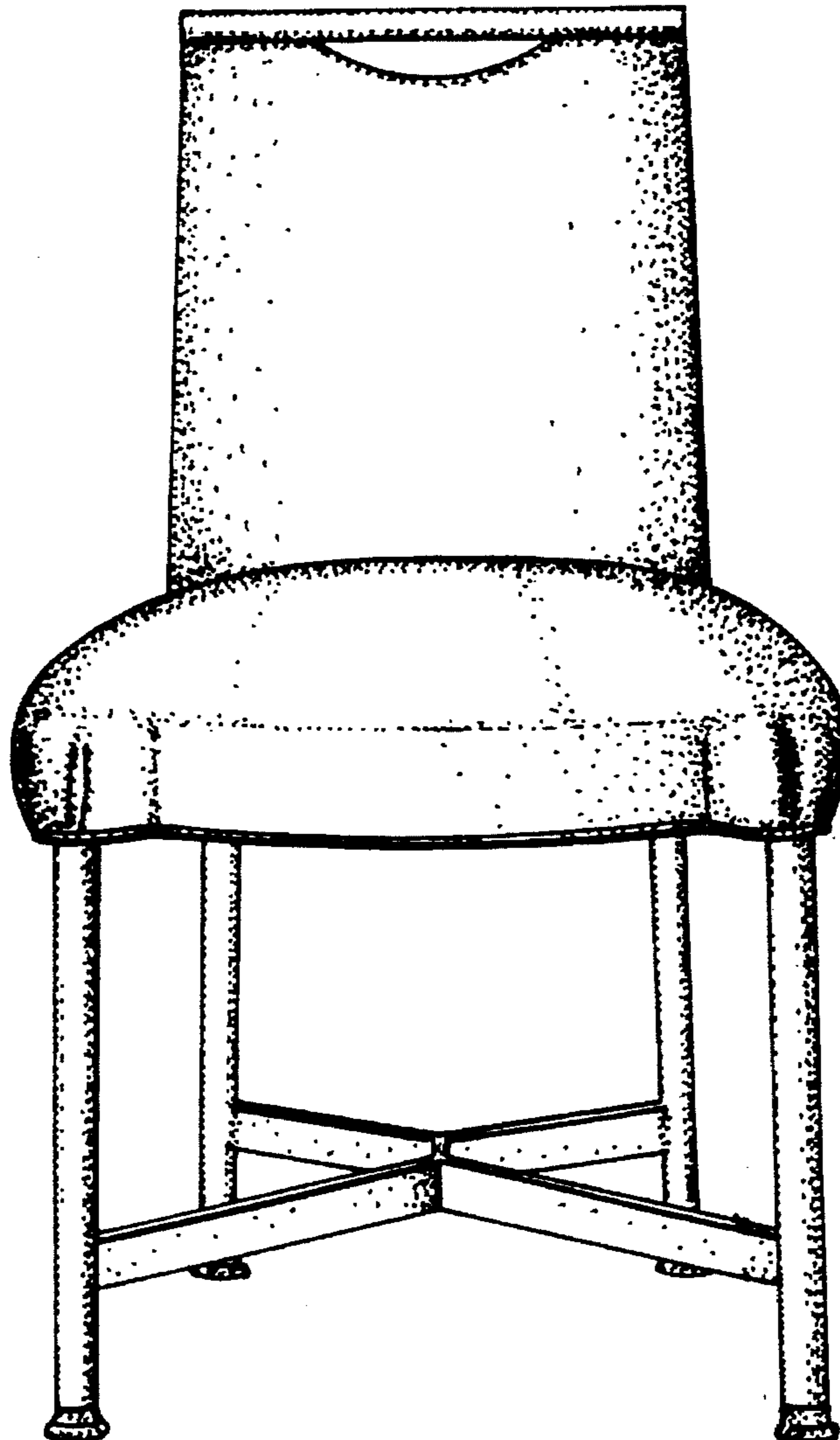
FIG. 1 is a perspective view of the chair showing my new design;
FIG. 2 is a front elevation view thereof;
FIG. 3 is a top plan view thereof;
FIG. 4 is a left side elevation view thereof, the right side being a mirror image thereof; and,
FIG. 5 is a rear view thereof.

[56] **References Cited**

U.S. PATENT DOCUMENTS

- D. 115,838 7/1939 Prokosch D6/373
- D. 229,804 1/1974 Hassinger D6/374
- D. 230,543 3/1974 McDermott et al. D6/375
- D. 321,098 10/1991 Toffoloni D6/379

1 Claim, 3 Drawing Sheets



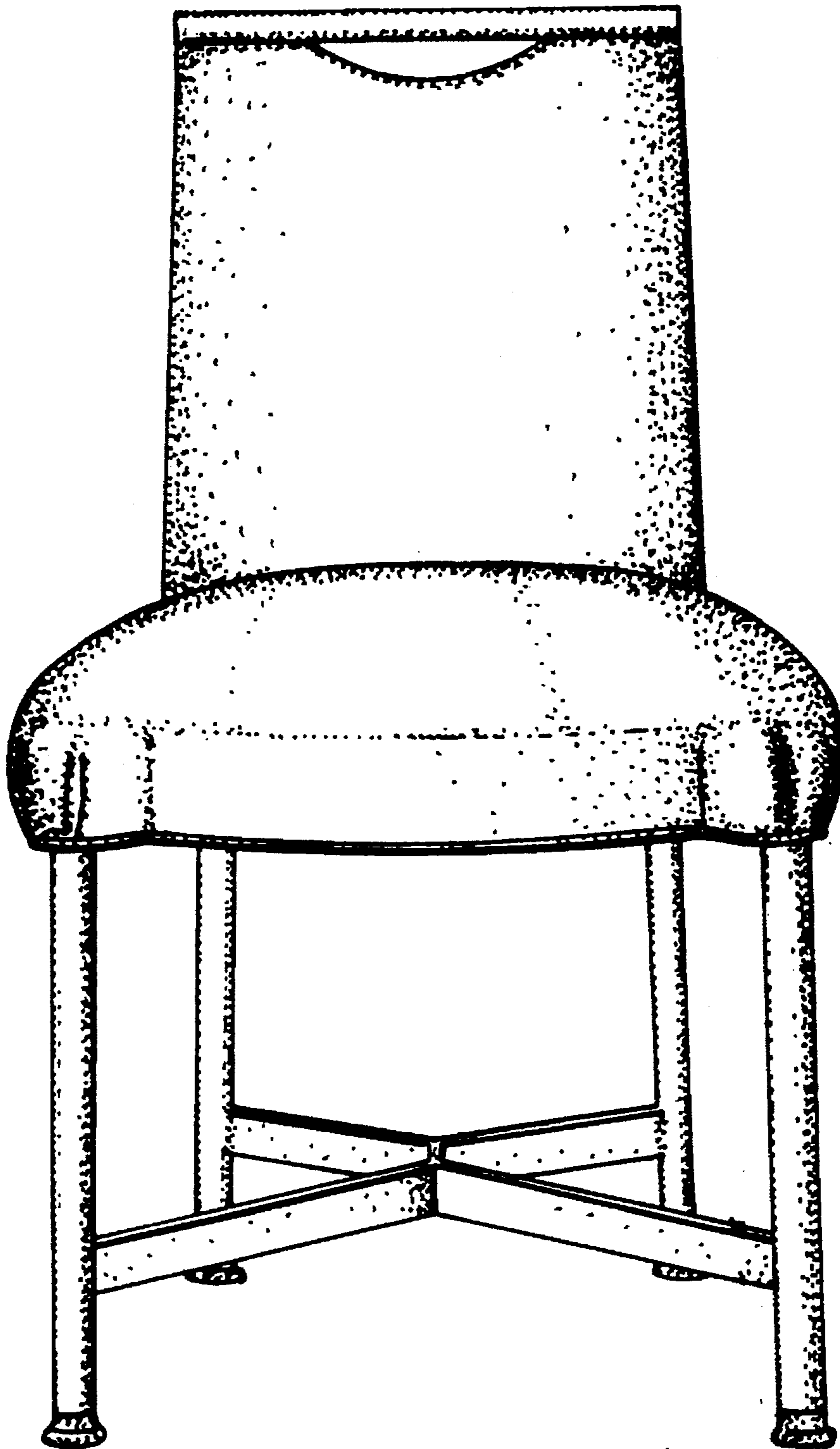


FIG. 1

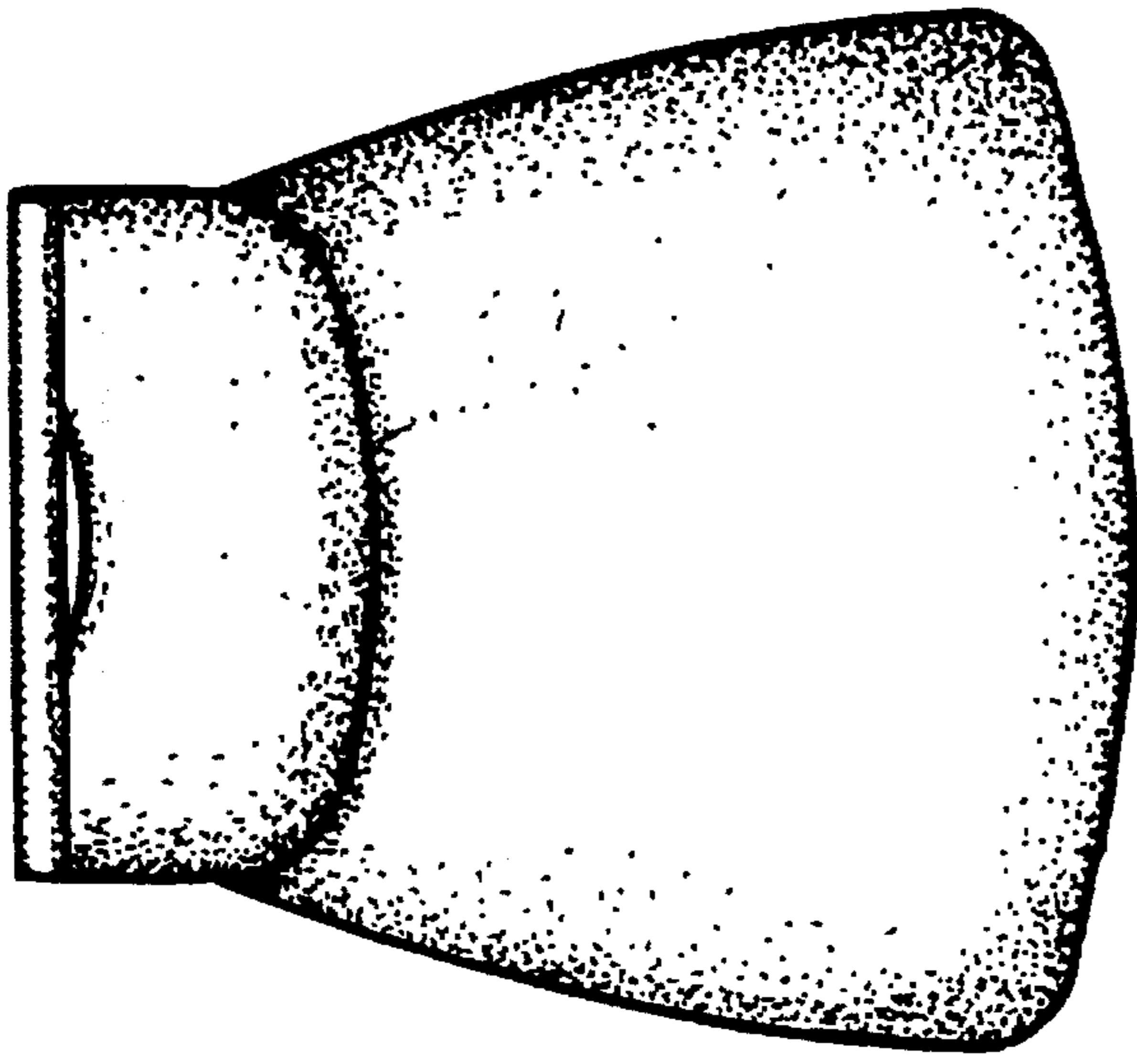


FIG. 3

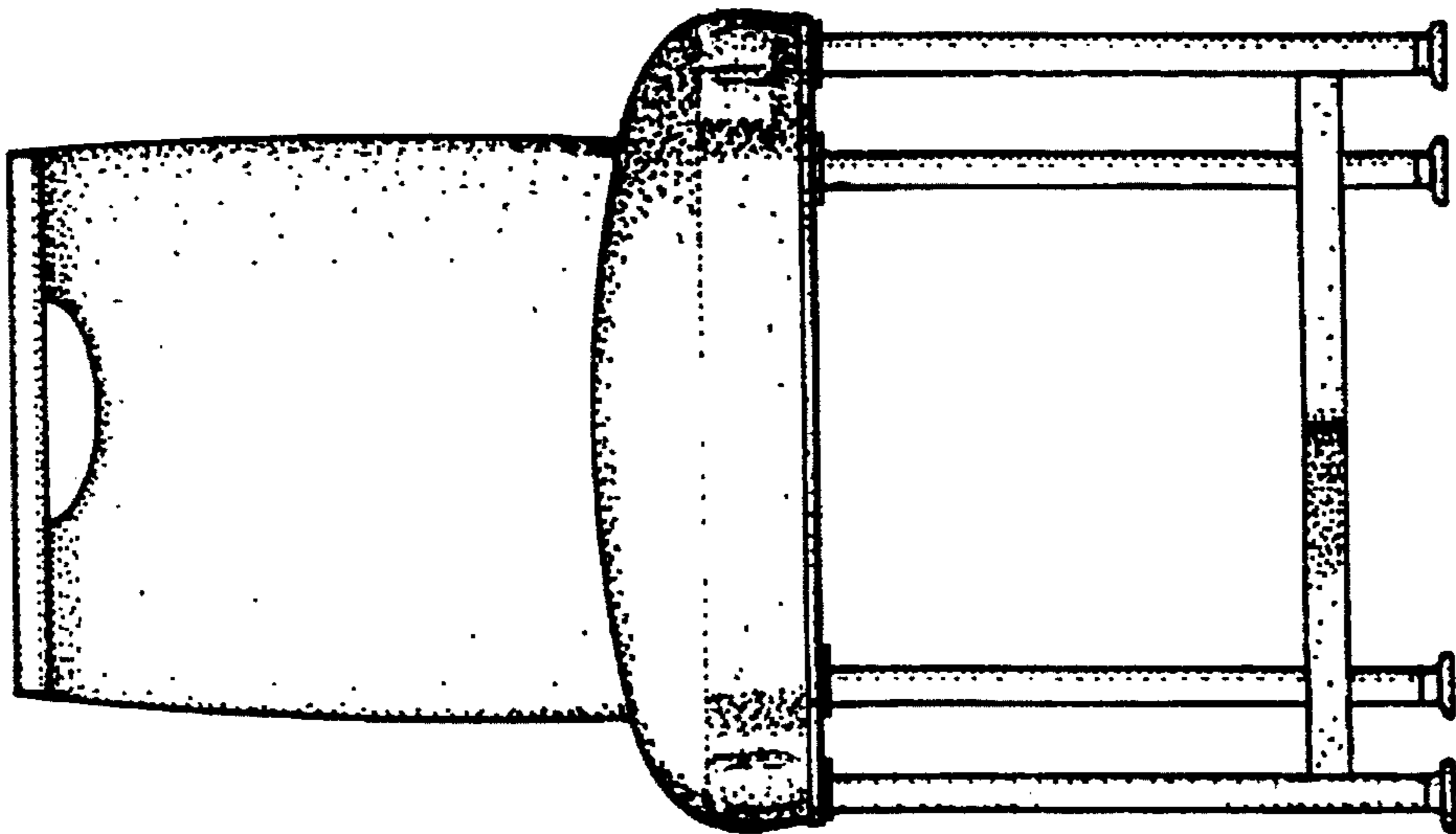


FIG. 2

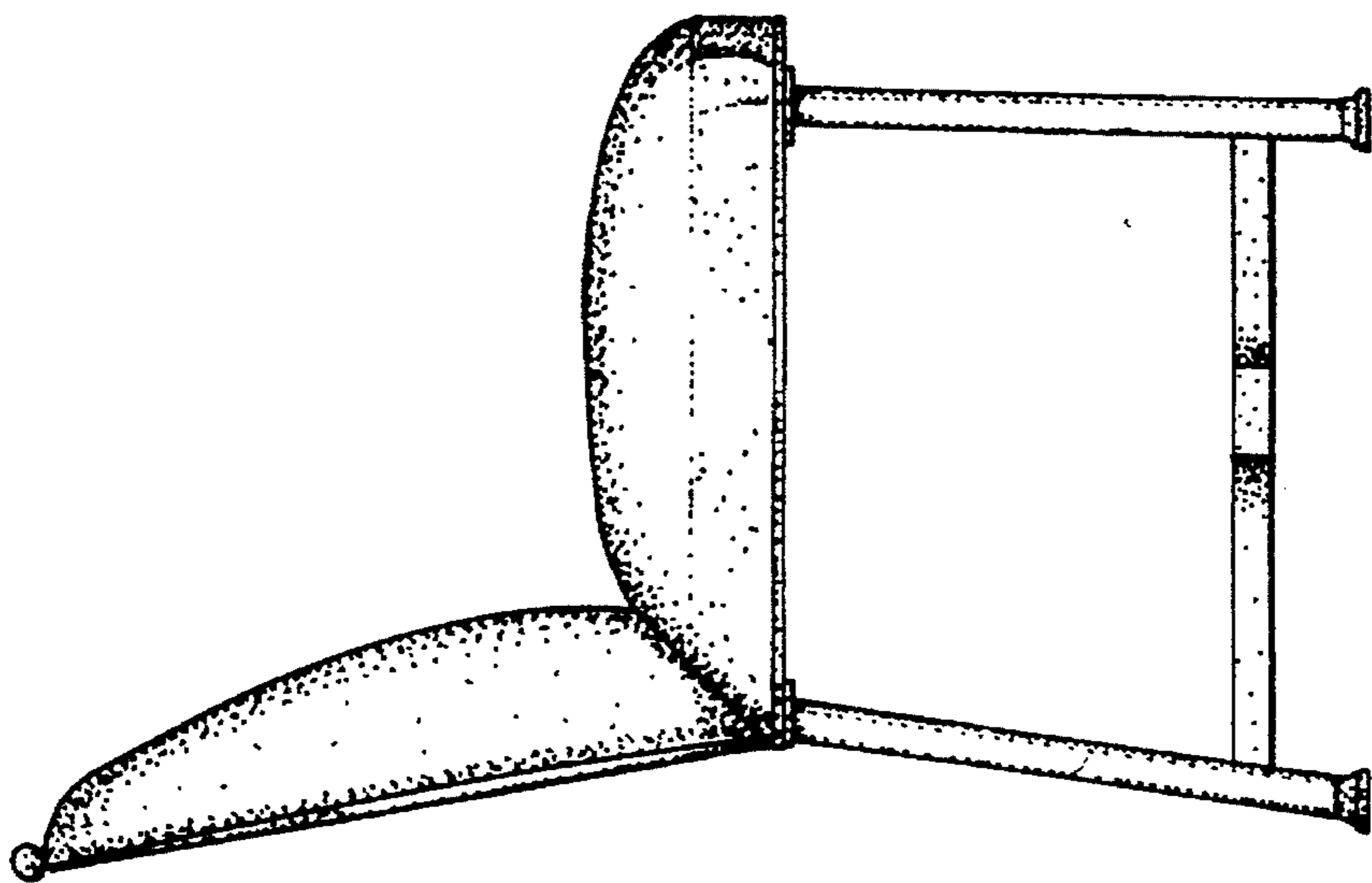


FIG. 4

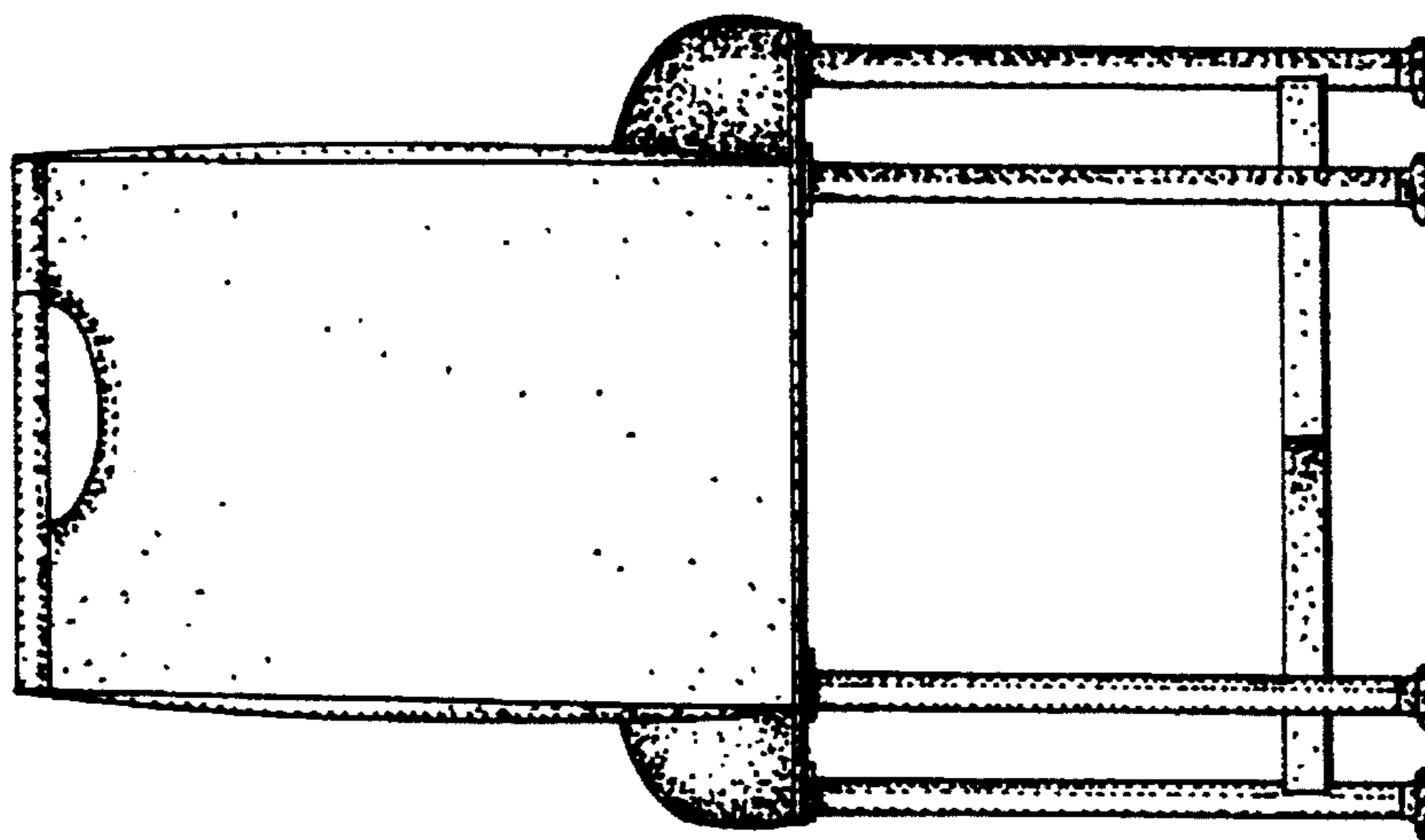


FIG. 5