



US00D364741S

United States Patent [19]

Reuter, III

[11] Patent Number: **Des. 364,741**

[45] Date of Patent: ****Dec. 5, 1995**

[54] BROOM WITH EXTENDABLE HANDLE

[76] Inventor: **John F. Reuter, III**, 8642 E. Appomattox Rd., Tucson, Ariz. 85710

[**] Term: **14 Years**

[21] Appl. No.: **22,340**

[22] Filed: **May 3, 1994**

[52] U.S. Cl. **D4/132; D4/121**

[58] Field of Search D4/121, 130, 132, D4/135, 138, 199; 15/143.1, 144.1-144.4, 145-146, 159.1, 160, 171-172, 176.1, 186-188

[56] References Cited

U.S. PATENT DOCUMENTS

D. 233,806	12/1974	Hukuba .	
320,436	6/1885	Hock	15/144.2
D. 321,793	11/1991	Bryant .	
366,790	7/1887	Orther	15/144.2
1,185,732	6/1916	Swayne	15/144.4
2,984,852	5/1961	George .	
4,763,377	8/1988	Madsen	15/144.2

FOREIGN PATENT DOCUMENTS

1386996 12/1964 France 15/144.4

Primary Examiner—A. Hugo Word
Assistant Examiner—Lavone D. Tabor
Attorney, Agent, or Firm—Terry M. Gernstein

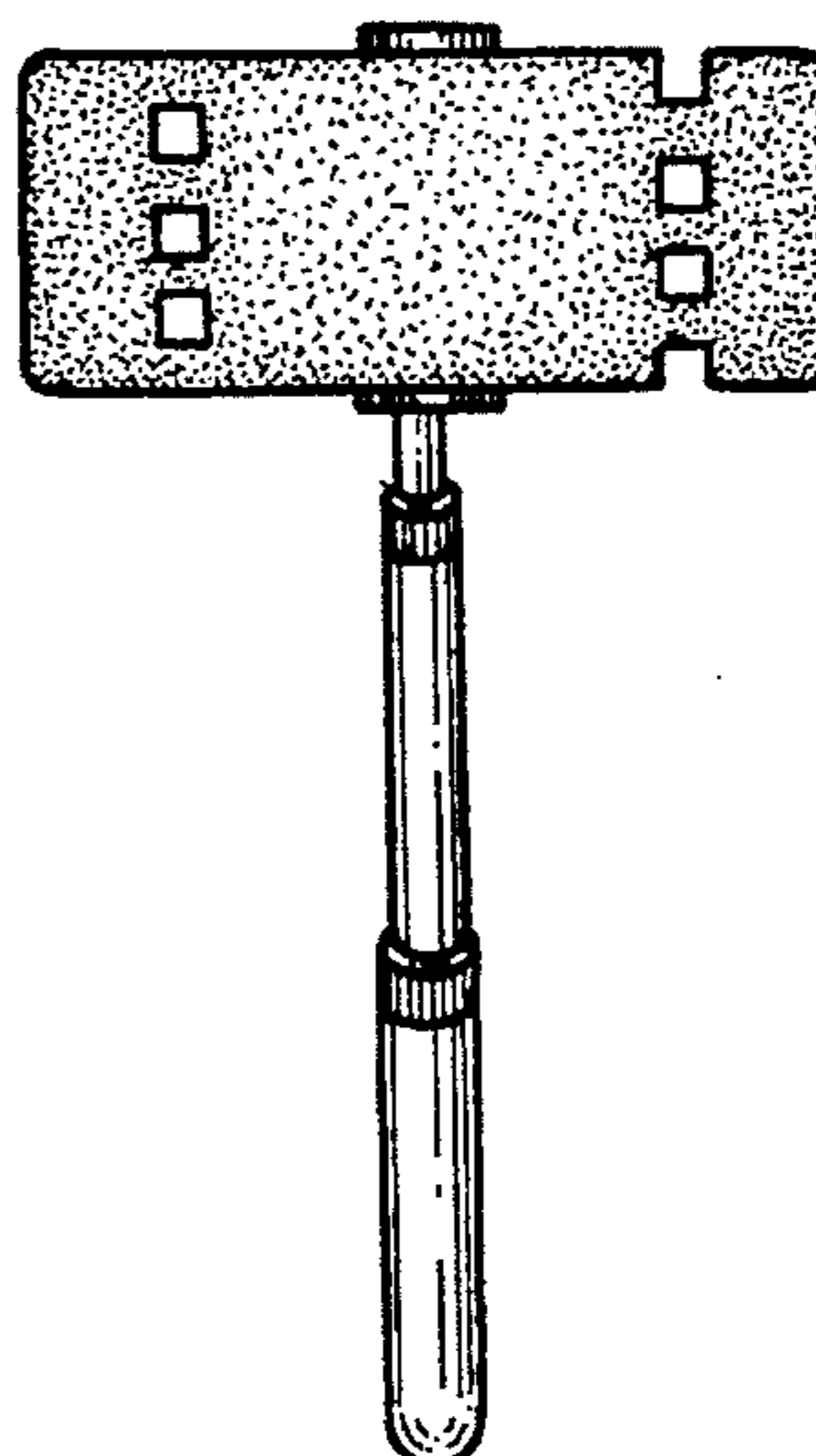
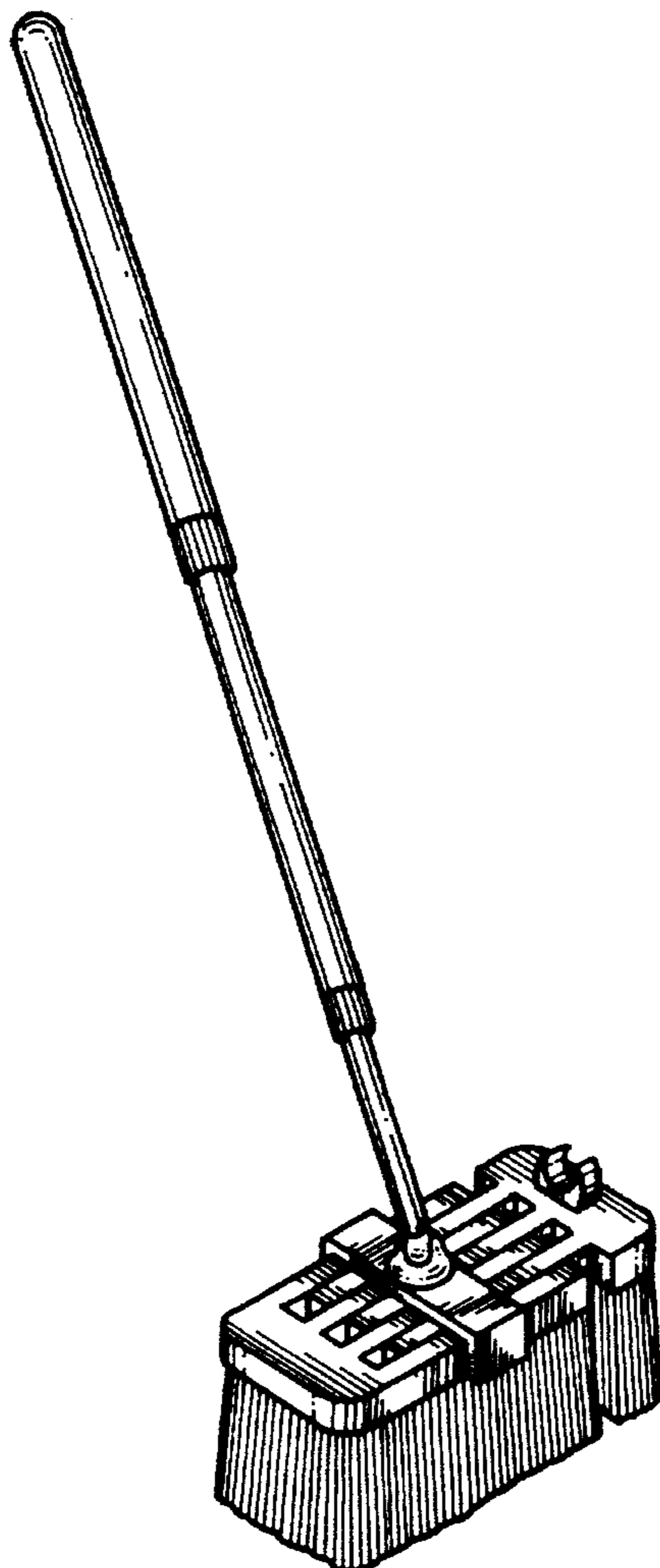
[57] CLAIM

The ornamental design for a broom with extendable handle, as shown and described.

DESCRIPTION

FIG. 1 is a front, top and side perspective view of the broom with extendable handle showing my new design; FIG. 2 is a front elevational view thereof; FIG. 3 is a rear elevational view thereof; FIG. 4 is a side elevational view thereof; FIG. 5 is a side elevational view thereof; FIG. 6 is a top plan view thereof; and, FIG. 7 is a bottom plan view thereof.

1 Claim, 3 Drawing Sheets



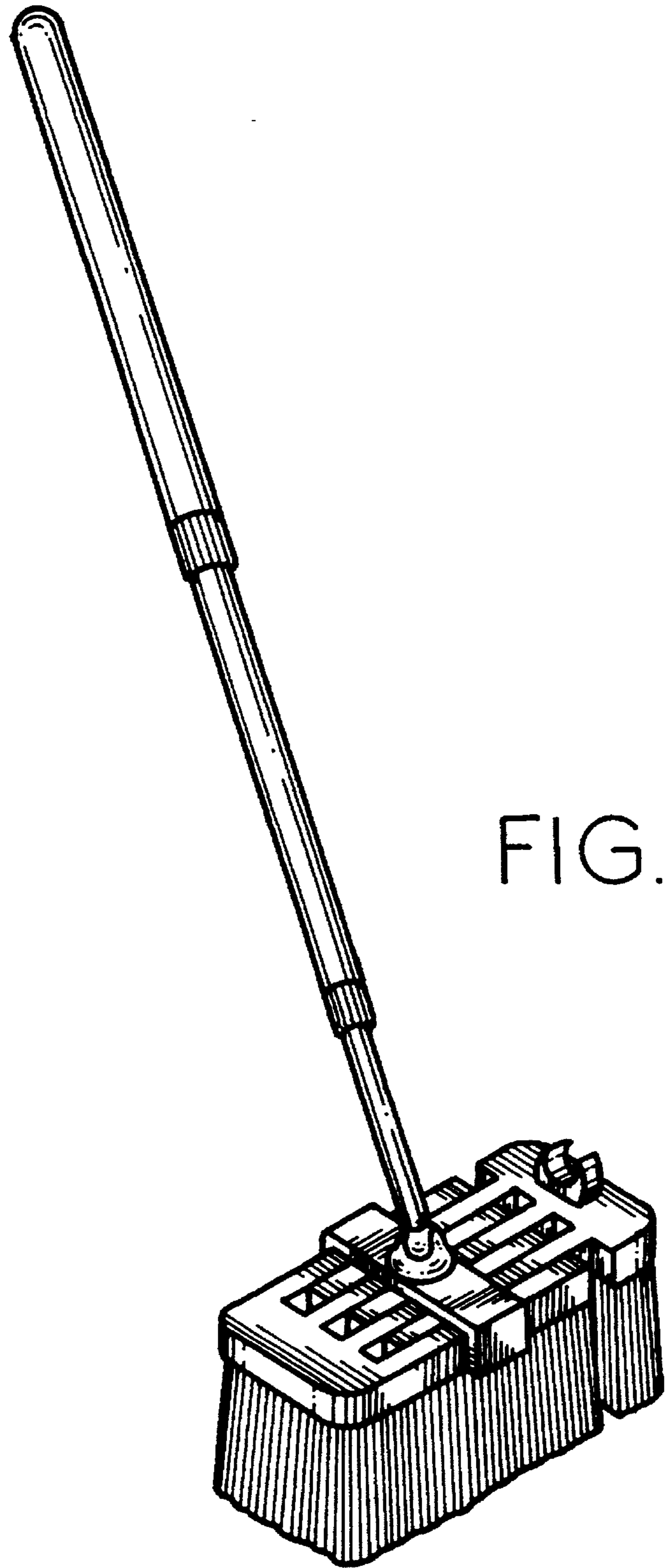


FIG.1.

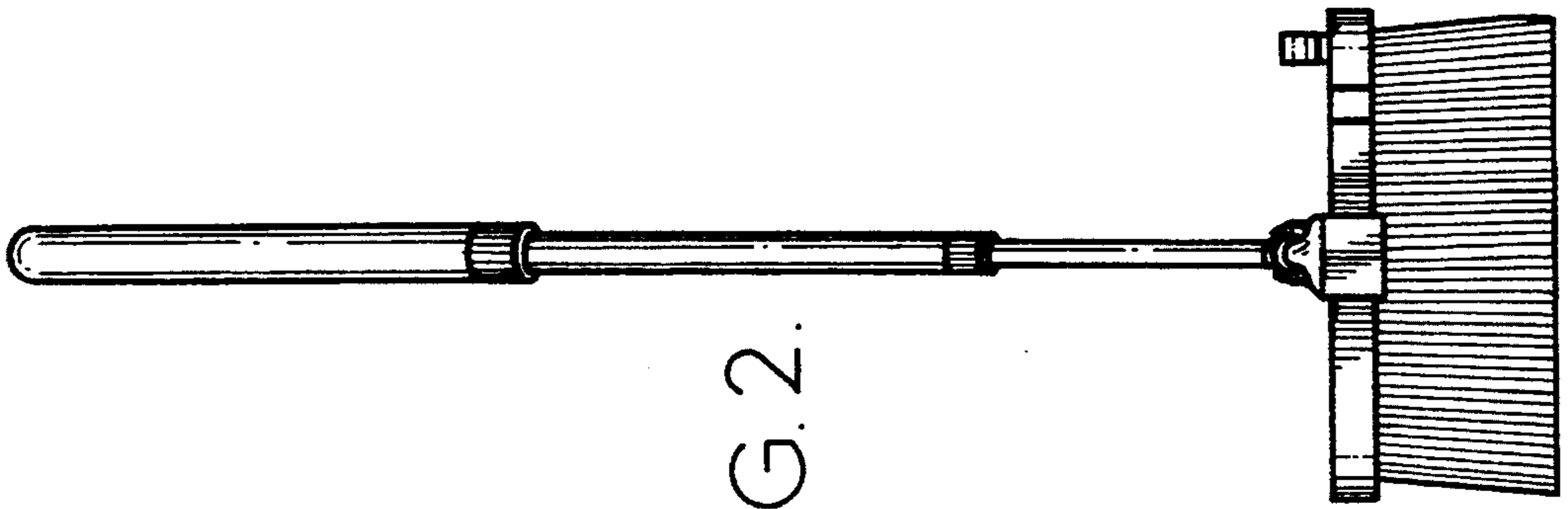


FIG. 2.

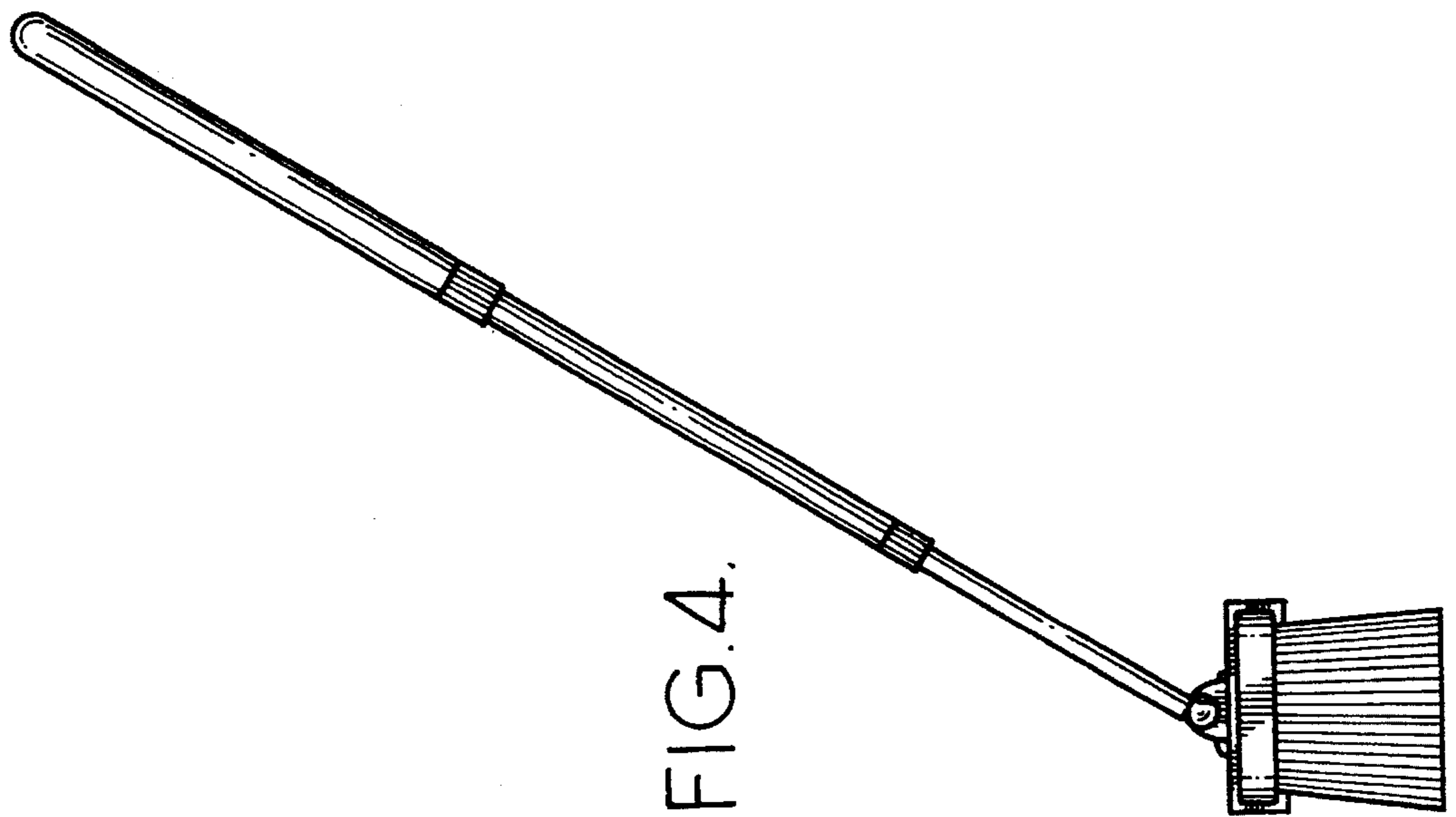


FIG. 4.

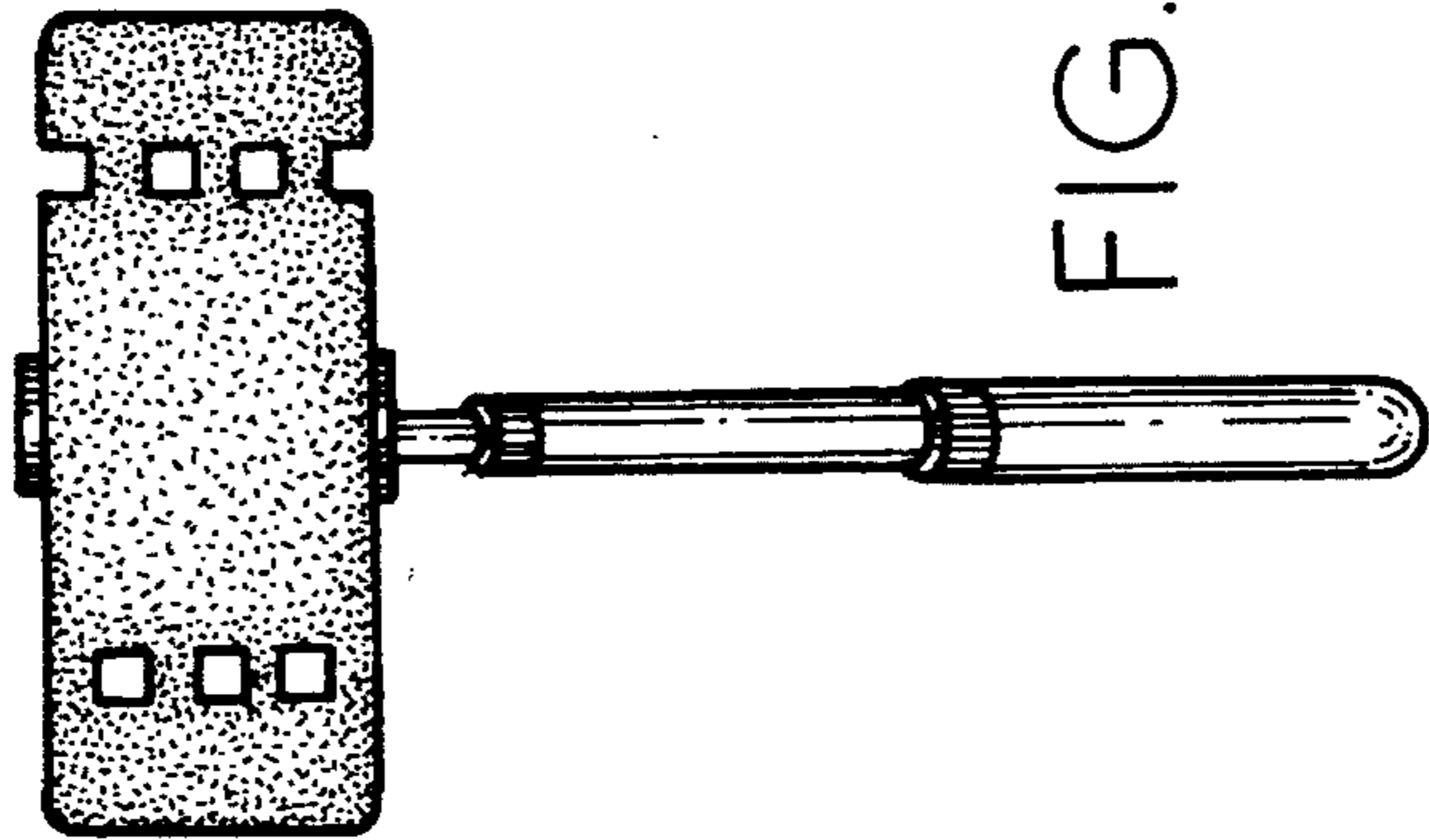


FIG. 7.

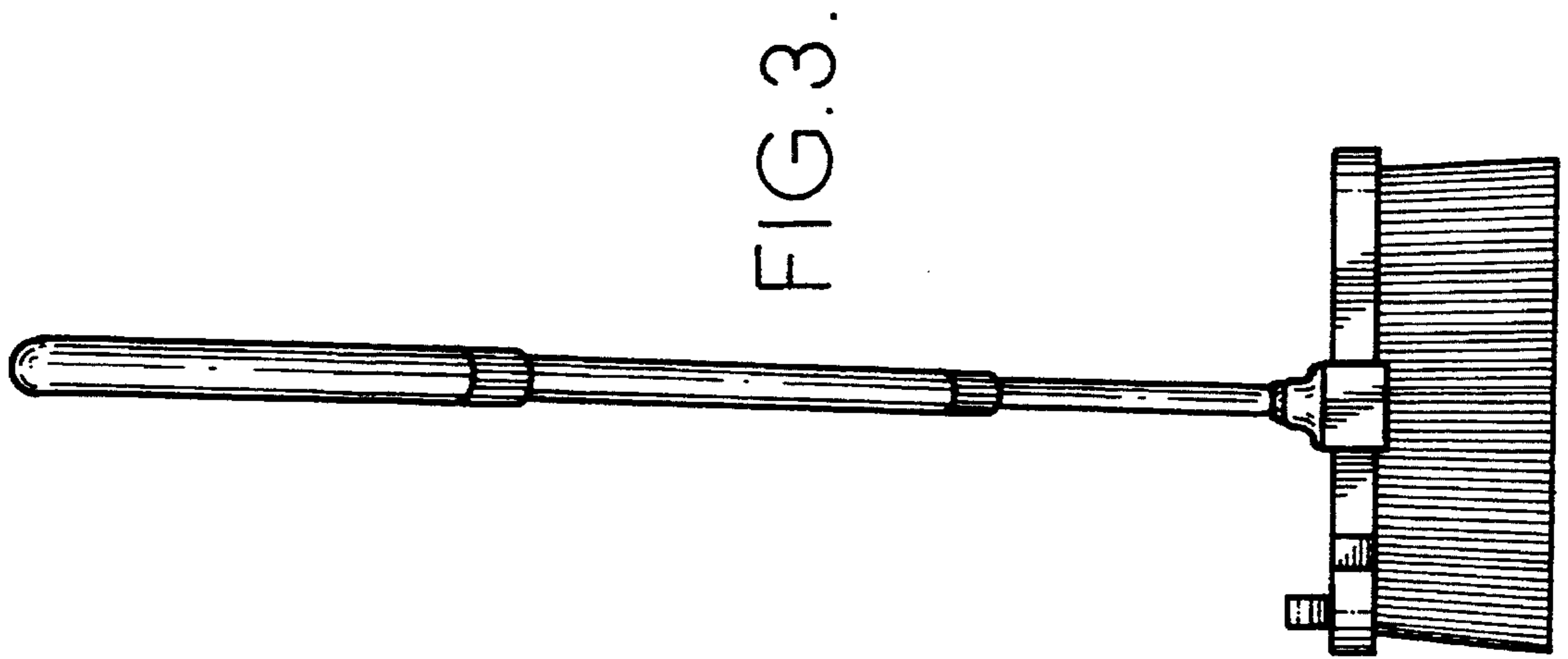


FIG. 3.

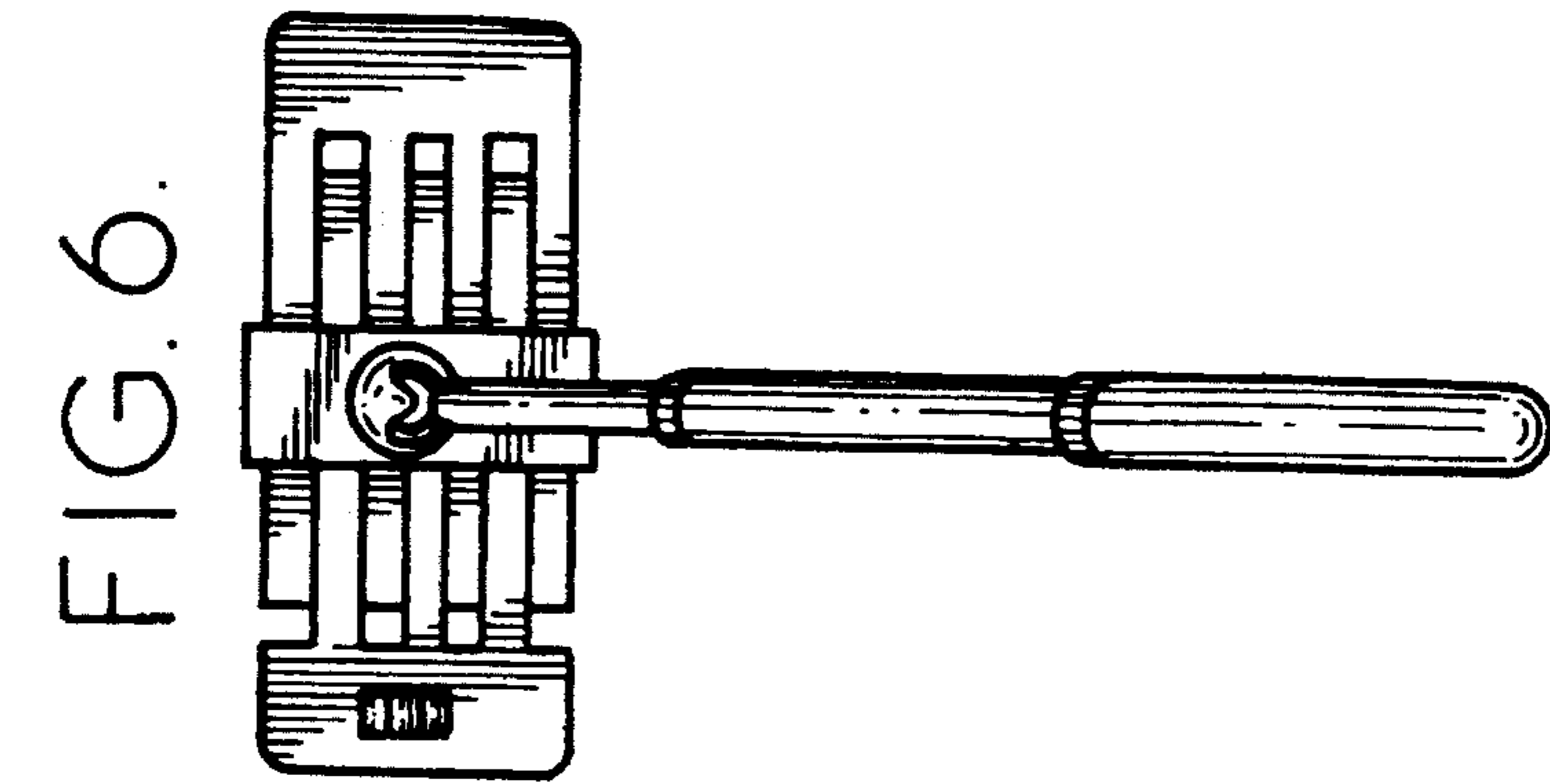


FIG. 6.

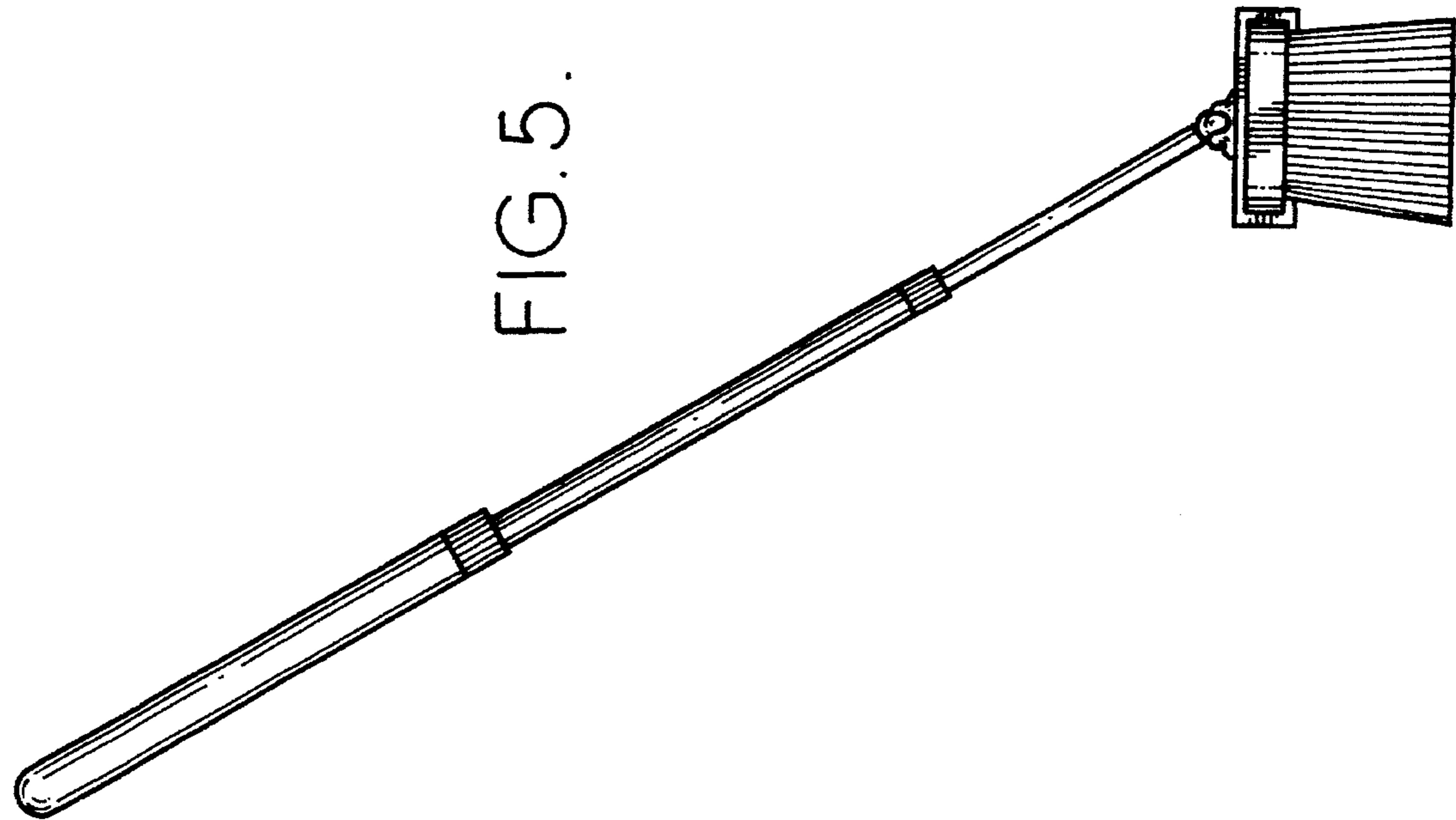


FIG. 5.