



US00D364739S

United States Patent [19]
Okamoto et al.

[11] **Patent Number: Des. 364,739**
[45] **Date of Patent: **Dec. 5, 1995**

[54] **CASE FOR CAMERA FILTER**
[75] Inventors: **Shigeo Okamoto; Takashi Sato**, both
of Tokyo, Japan

D. 202,321	9/1965	Conner et al.	D3/263
D. 255,547	6/1980	Grodin	D9/418
D. 313,753	1/1991	Nagasaka	D9/415
2,780,348	2/1957	Harter et al.	206/316.1
5,042,655	8/1991	Beldyk et al.	206/316.1

[73] Assignee: **Hoya Corporation**, Japan
[**] Term: **14 Years**

Primary Examiner—Ted Shooman
Assistant Examiner—Adir Aronovich
Attorney, Agent, or Firm—Lorusso & Loud

[21] Appl. No.: **18,338**
[22] Filed: **Feb. 3, 1994**

[57] **CLAIM**

The ornamental design for a case for a camera filter, as shown and described.

[30] **Foreign Application Priority Data**
Aug. 19, 1993 [JP] Japan 5-25235
[52] **U.S. Cl.** **D3/263; D9/415; D9/418;**
D16/237
[58] **Field of Search** D3/263, 264; D9/415,
D9/418, 432; D16/237; D6/407, 629, 634;
206/316.1; 354/276, 282

DESCRIPTION

FIG. 1 is a top, front and right side perspective view of a case for a camera filter of our new design;
FIG. 2 is a front elevational view;
FIG. 3 is a rear elevational view;
FIG. 4 is a top plan view;
FIG. 5 is a bottom plan view;
FIG. 6 is a left side elevational view thereof; and,
FIG. 7 is a sectional view taken along line 7—7 in FIG. 2.

[56] **References Cited**
U.S. PATENT DOCUMENTS
D. 174,666 . 5/1955 Tiffenberg et al. D3/263

1 Claim, 2 Drawing Sheets

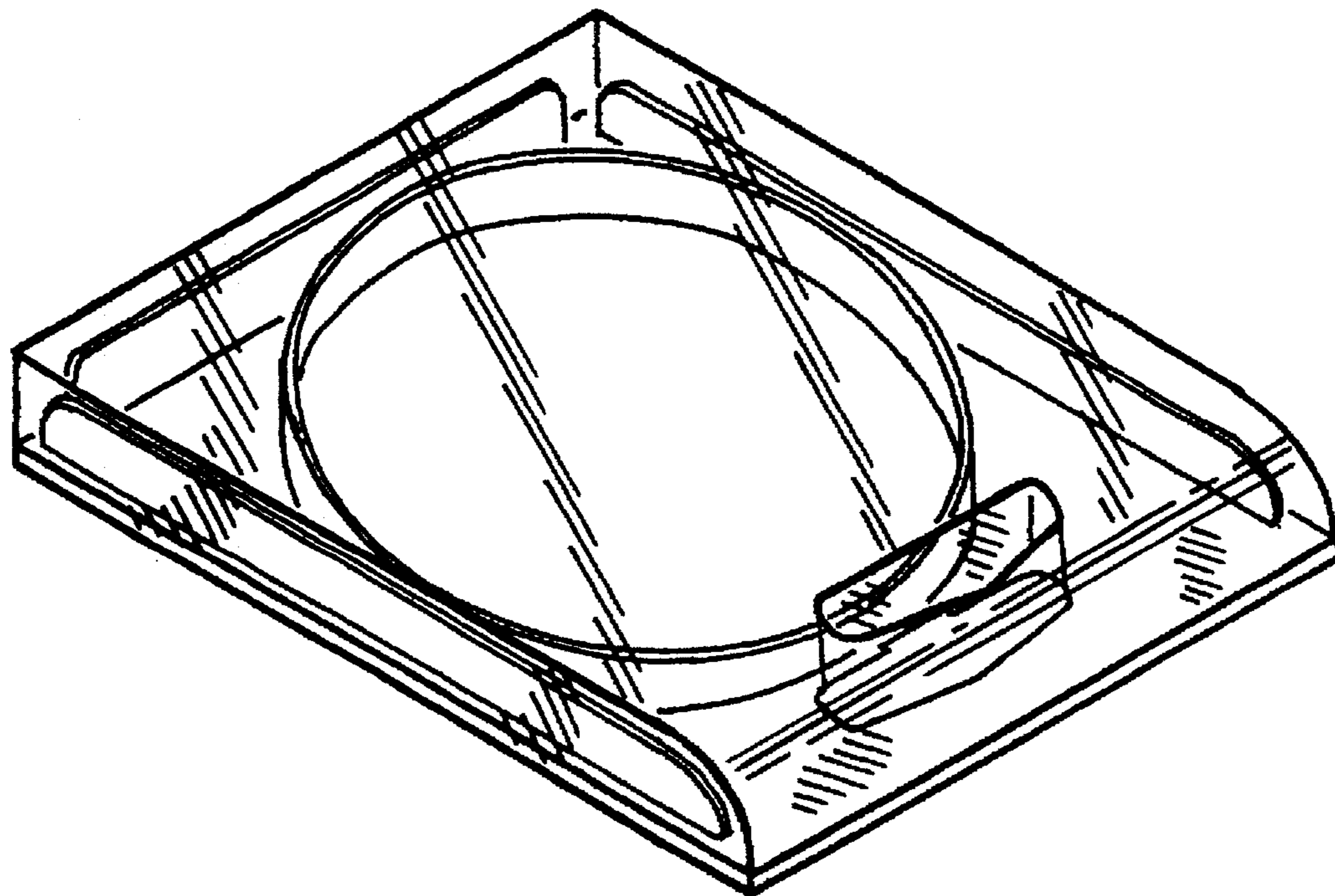


FIG. 1

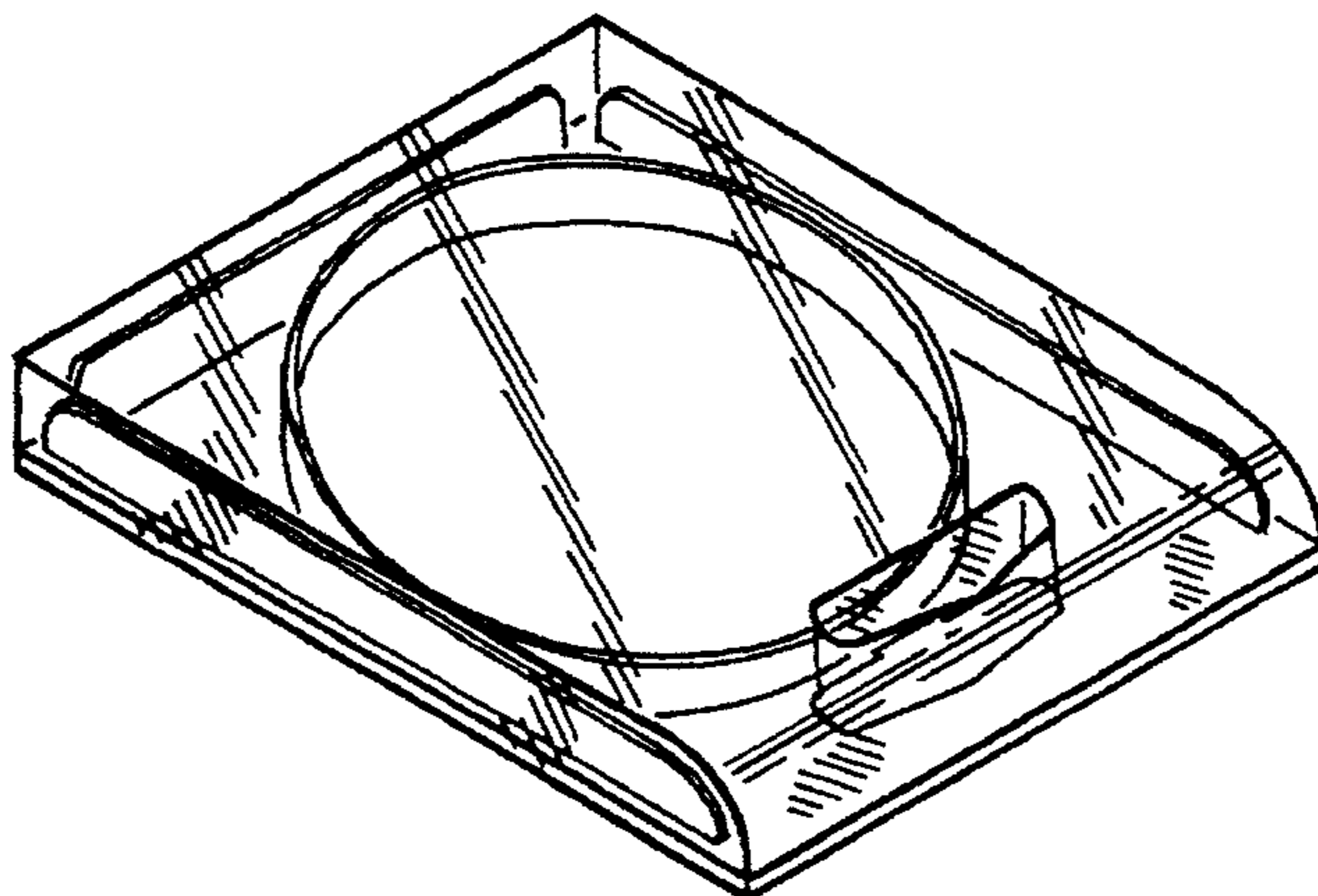
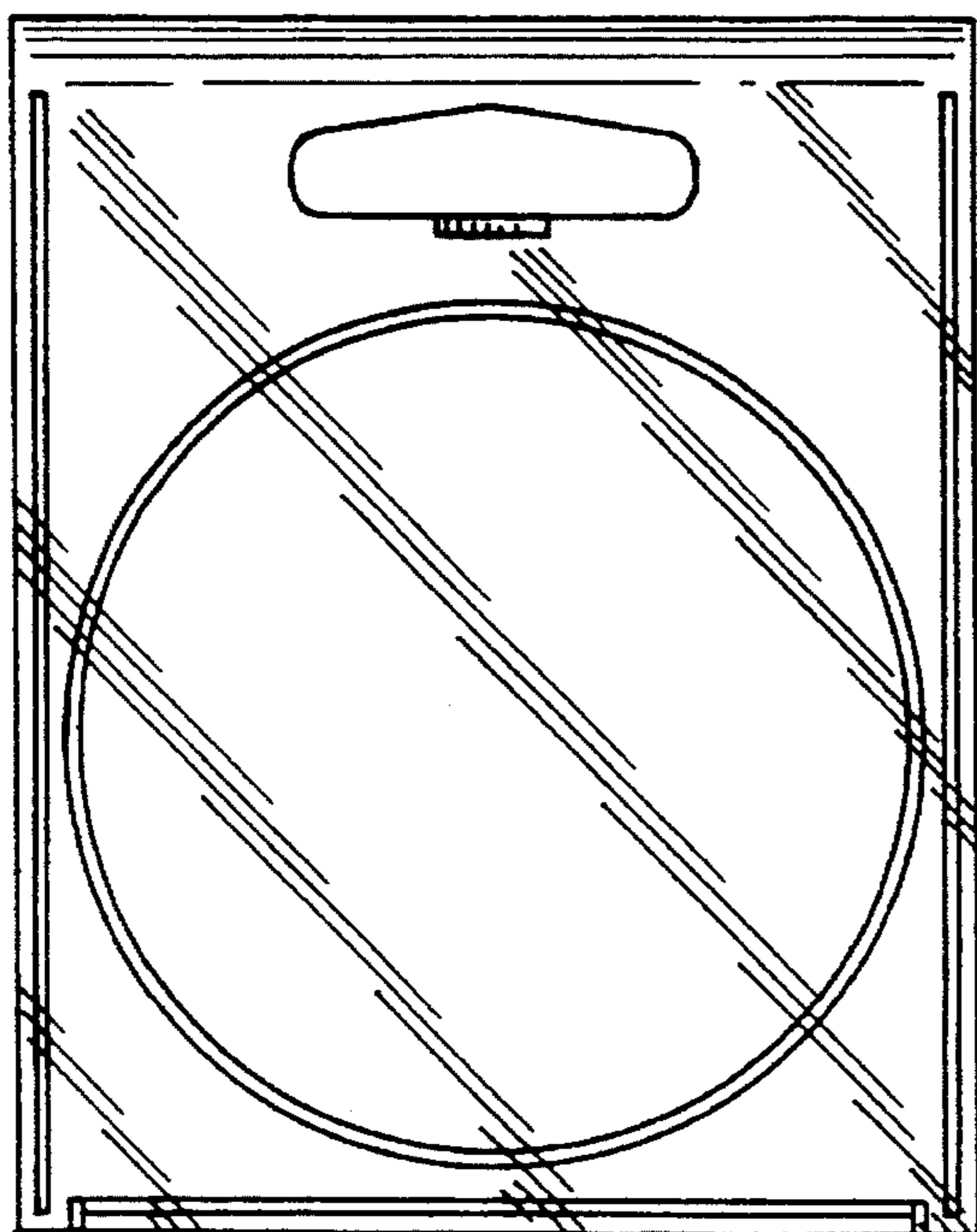


FIG. 2

7



7

FIG. 3

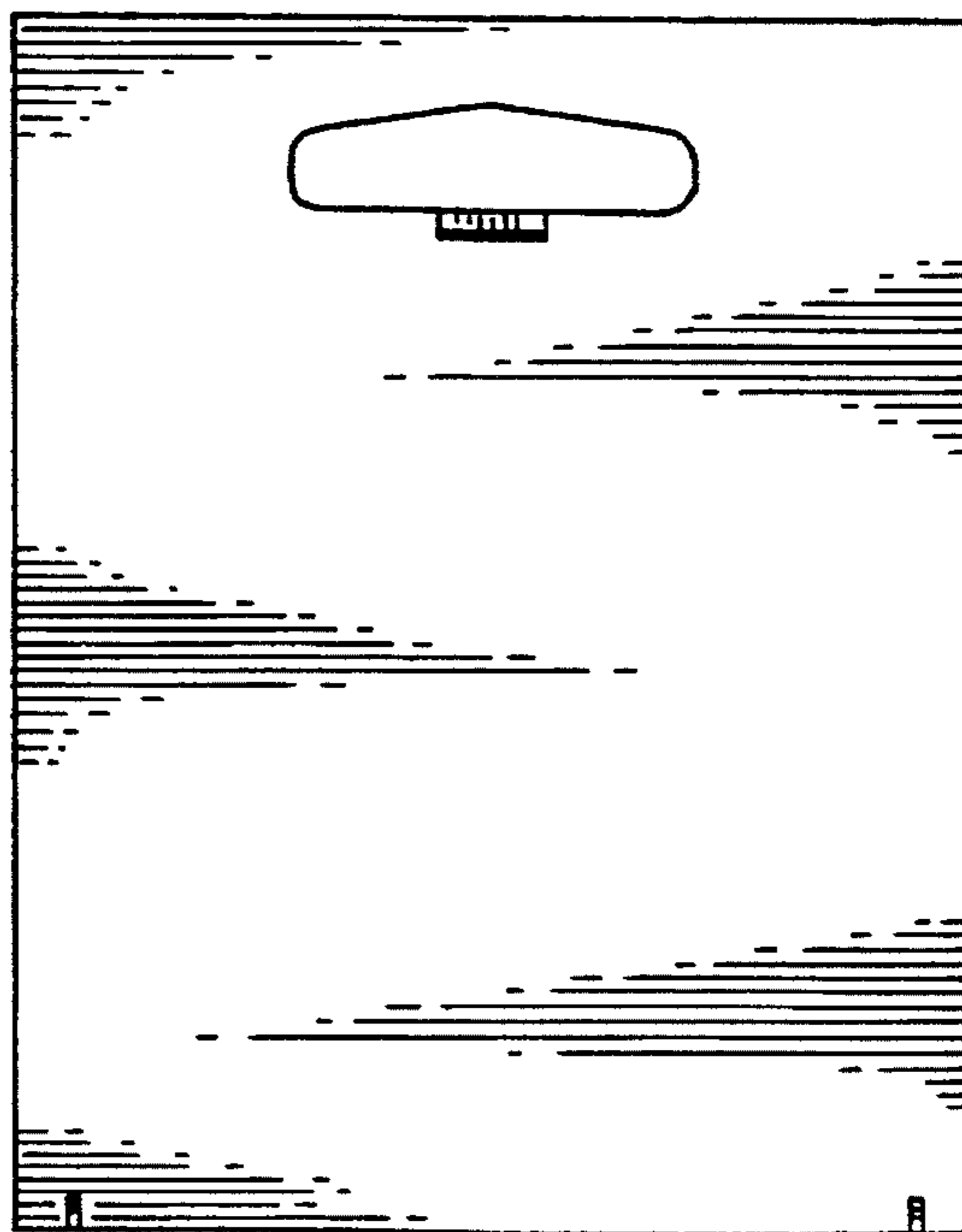


FIG. 4



FIG. 6



FIG. 7

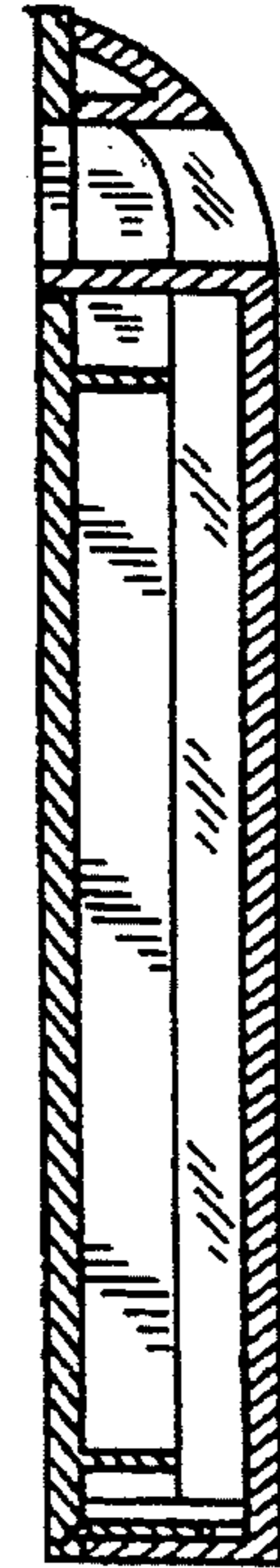


FIG. 5

