



US00D364738S

United States Patent [19] Wood

[11] Patent Number: **Des. 364,738**
[45] Date of Patent: ****Dec. 5, 1995**

[54] **LIGHTED FISHING TACKLE BOX**
[76] Inventor: **John Wood**, 1730 Beaumont Rd.,
Nicholasville, Ky. 40356
[**] Term: **14 Years**
[21] Appl. No.: **25,809**
[22] Filed: **Jul. 12, 1994**
[52] U.S. Cl. **D3/260**
[58] Field of Search D3/260, 282, 283,
D3/273, 904, 905, 295; 43/55, 54.1, 25.2;
206/315.11

4,085,437 4/1978 Hrdlicka 362/109
4,479,321 10/1984 Weistead 43/17
4,697,379 10/1987 McPhaul 206/315.11 X

Primary Examiner—Lou Zarfaz
Assistant Examiner—Catherine R. Oliver
Attorney, Agent, or Firm—Terry M. Gernstein

[57] CLAIM

The ornamental design for a lighted fishing tackle box, as shown and described.

DESCRIPTION

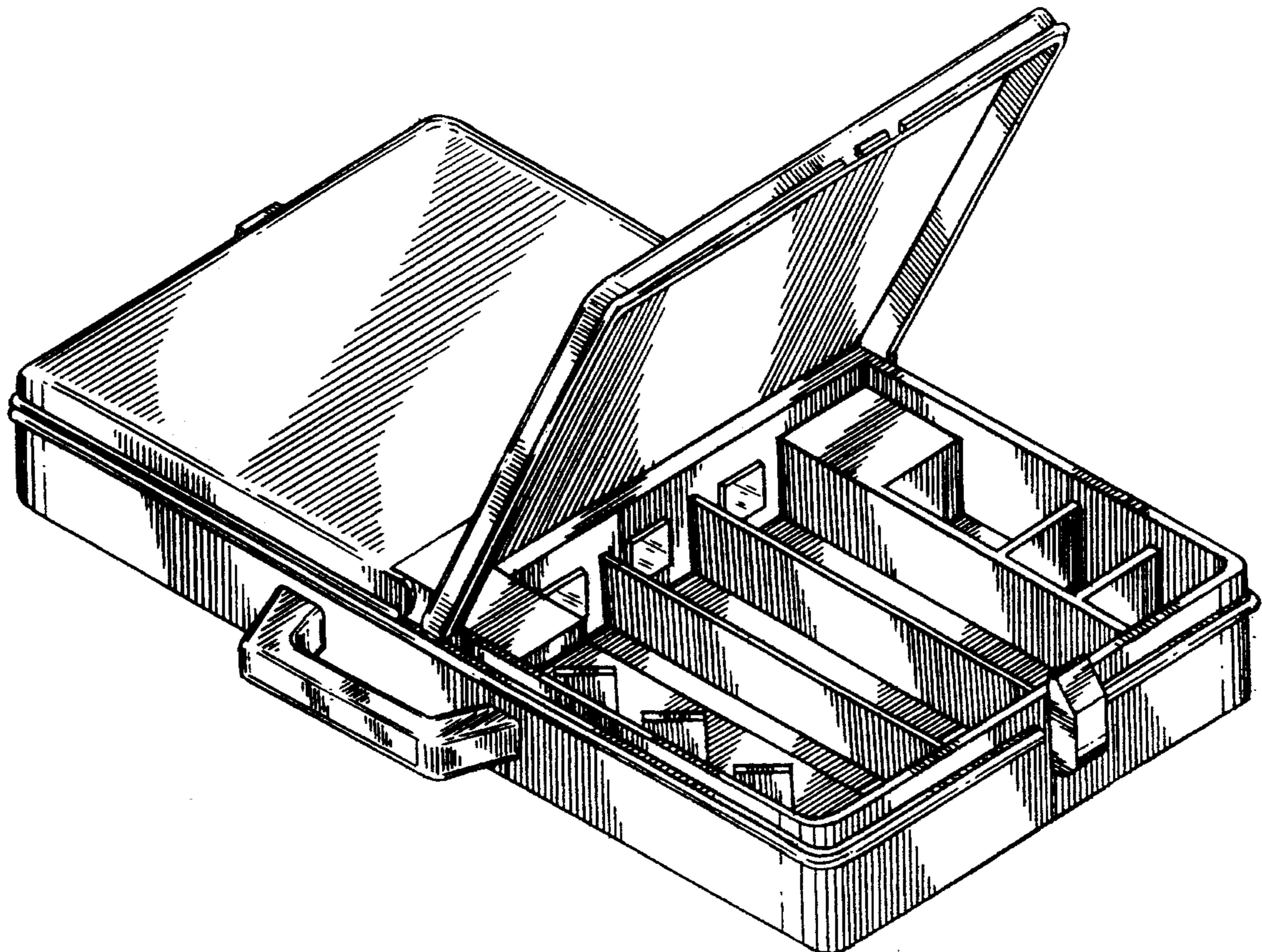
FIG. 1 is a front, top and side perspective view of the lighted fishing tackle box showing our new design in the open condition;
FIG. 2 is a front elevational view thereof;
FIG. 3 is a rear elevational view thereof;
FIG. 4 is a side elevational view thereof, the side opposite being a mirror image of the side shown in FIG. 4;
FIG. 5 is a top plan view thereof; and,
FIG. 6 is a bottom plan view thereof.

[56] References Cited

U.S. PATENT DOCUMENTS

D. 222,478	10/1971	Massaccesi	D3/282 X
D. 235,622	7/1975	Herring	D3/904 X
D. 306,936	4/1990	McMillan et al.	D3/283
D. 311,644	10/1990	Chapin et al.	D3/295
D. 325,127	4/1992	Diaz	D3/904 X
2,797,524	7/1957	Nelson	43/55
4,026,059	5/1977	Ochs	43/17.5

1 Claim, 3 Drawing Sheets



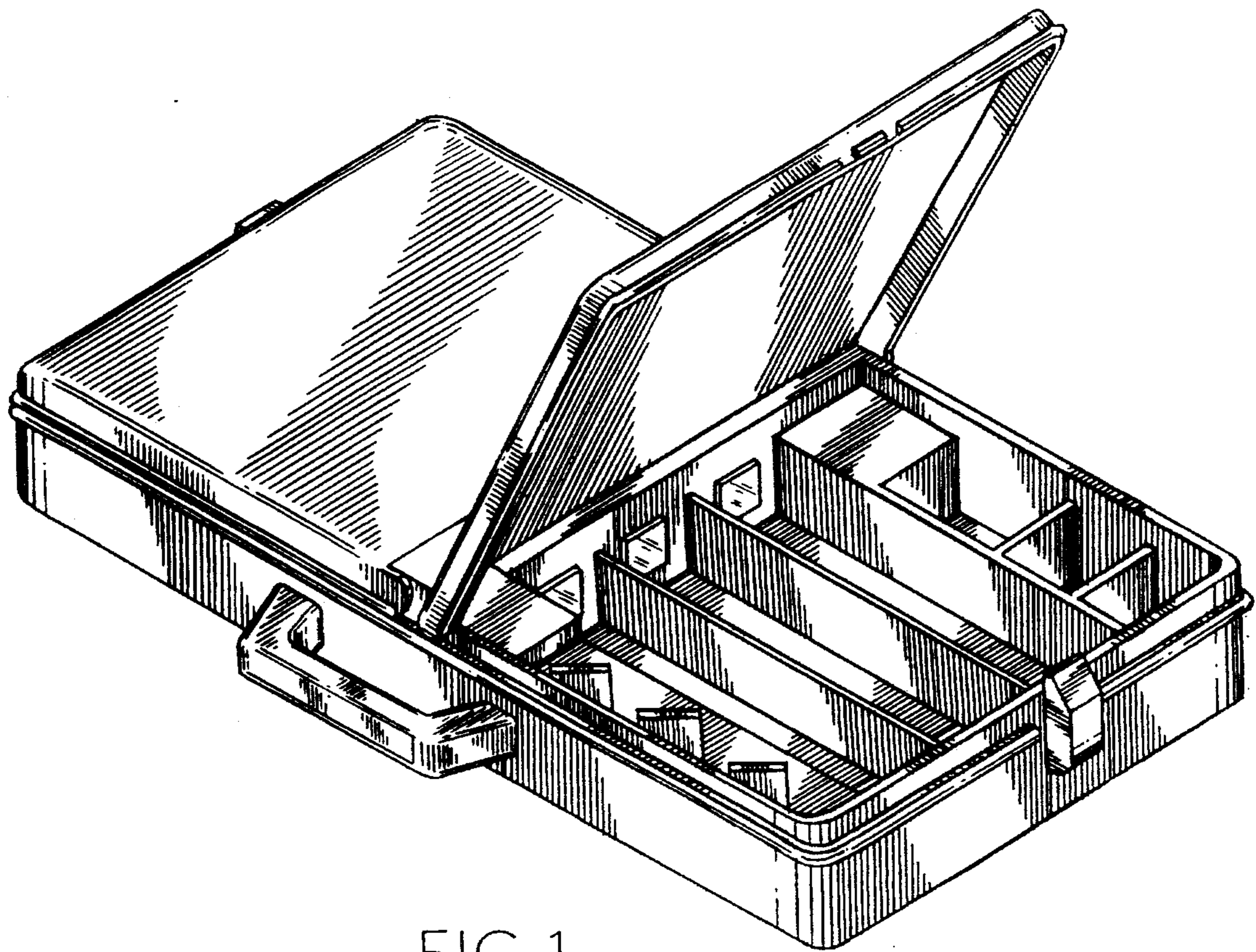


FIG. 1.

FIG. 2.

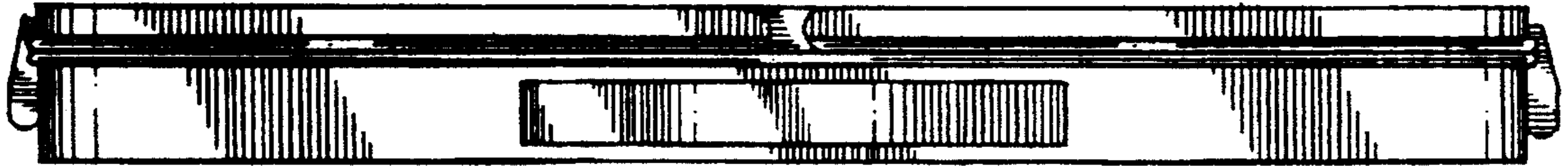


FIG. 5.

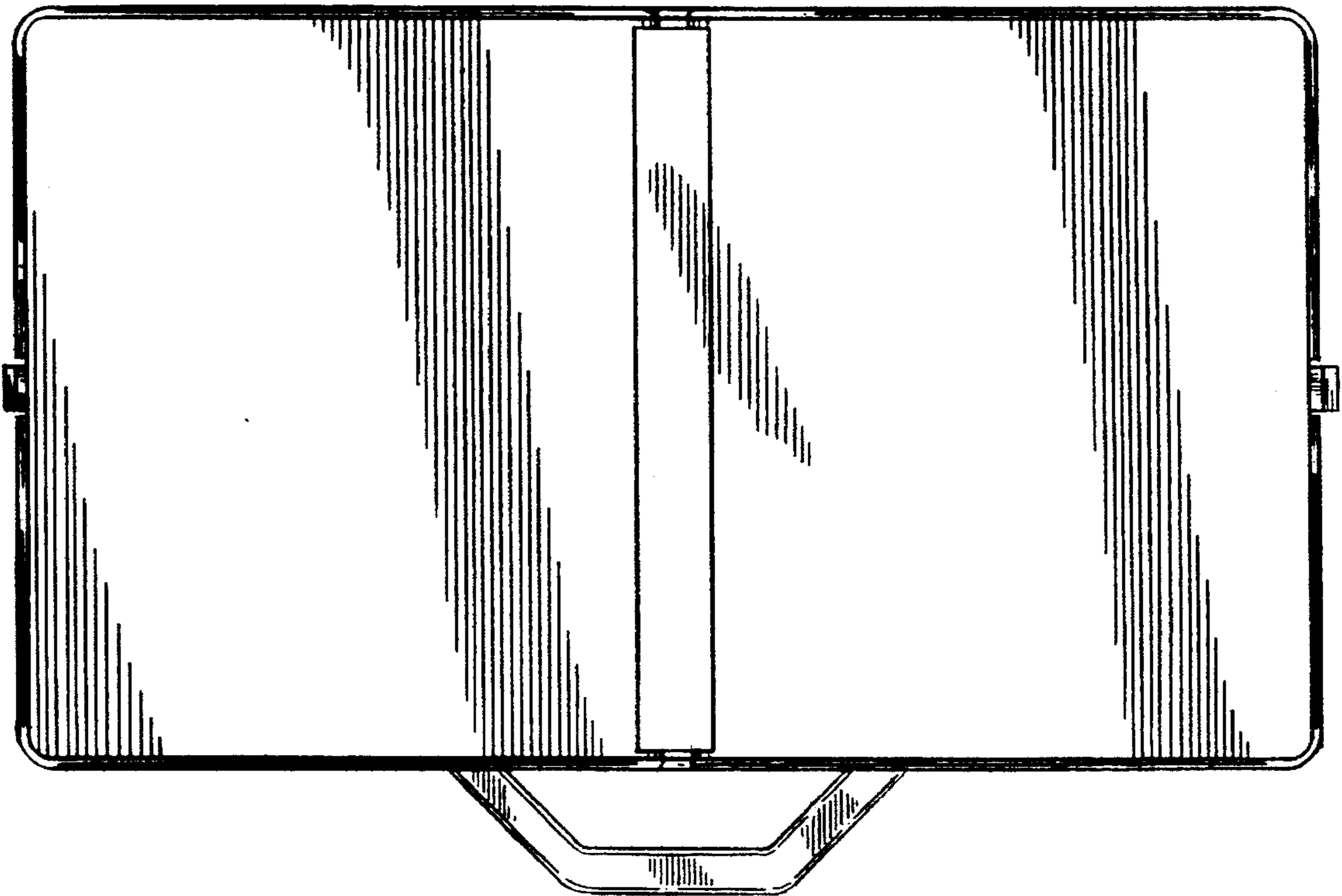


FIG. 3.

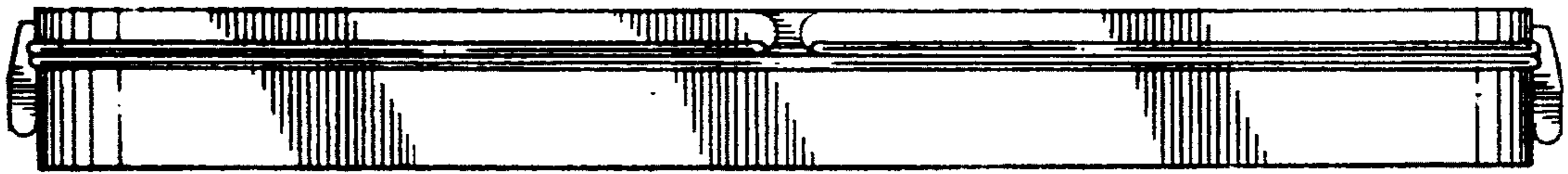


FIG. 6.

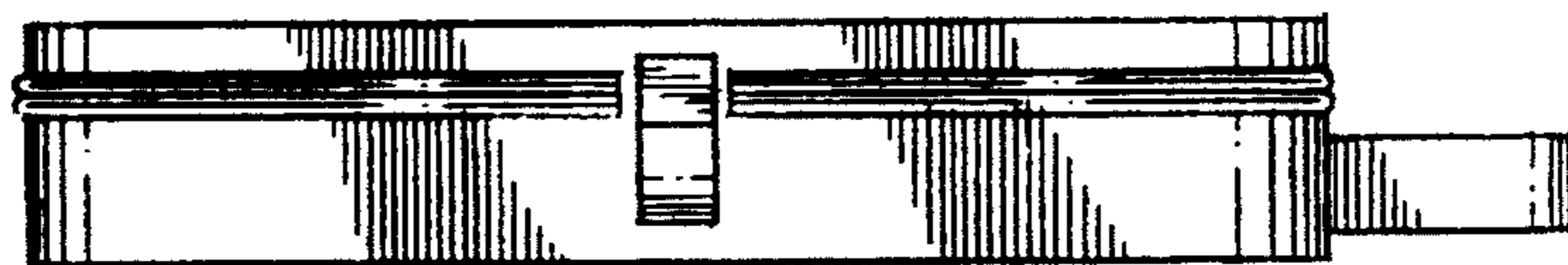
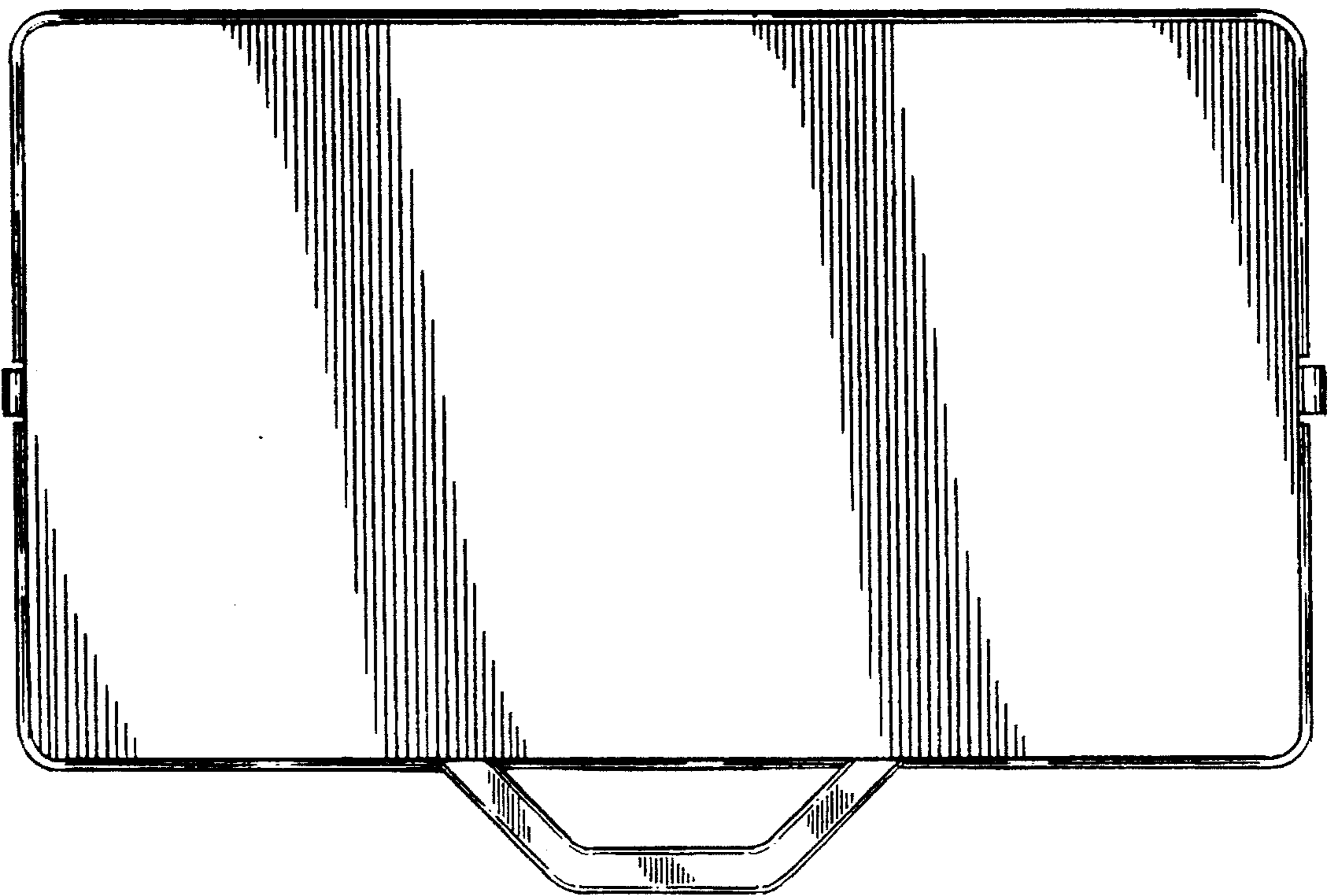


FIG. 4.