



US00D364736S

United States Patent [19] Kerr

[11] **Patent Number:** **Des. 364,736**
[45] **Date of Patent:** ****Dec. 5, 1995**

[54] **MODULAR CARRYING CASE FOR LEVELS**

[76] Inventor: **Guy Kerr**, 1892 W. Sunnyslope Dr.,
Meridian, Id. 83642

[**] Term: **14 Years**

[21] Appl. No.: **11,614**

[22] Filed: **Aug. 9, 1993**

Related U.S. Application Data

[63] Continuation-in-part of Ser. No. 910,673, Jul. 6, 1992,
abandoned.

[52] U.S. Cl. **D3/226**

[58] Field of Search D3/226, 225, 228,
D3/230, 300, 292, 201, 290, 905, 299,
204, 205; 383/37; D19/65; 150/161, 3,
33; 224/151, 222, 253, 901, 202, 904, 240,
259; 206/349, 372, 373

[56] References Cited

U.S. PATENT DOCUMENTS

D. 179,920	3/1957	Shelly	D3/300
D. 265,694	8/1982	Sogoian et al.	D3/230
D. 278,386	4/1985	Shade	D3/226
D. 293,044	12/1987	Johnson	D3/905 X
D. 338,338	8/1993	Zaglin	D3/299
3,442,314	5/1969	Muller	224/236 X
3,977,452	8/1976	Wright	150/3
4,424,841	1/1984	Smith	150/33

4,676,417	6/1987	Hirschhoff	224/202
4,957,231	9/1990	Kalisher	224/151
5,020,711	6/1991	Kelley	224/222
5,044,699	9/1991	Duty	383/37
5,174,482	12/1992	Rogers et al.	224/240 X
5,240,156	8/1993	Sicotte et al.	224/240 X

Primary Examiner—Louis S. Zarfes
Assistant Examiner—Catherine R. Oliver

[57] CLAIM

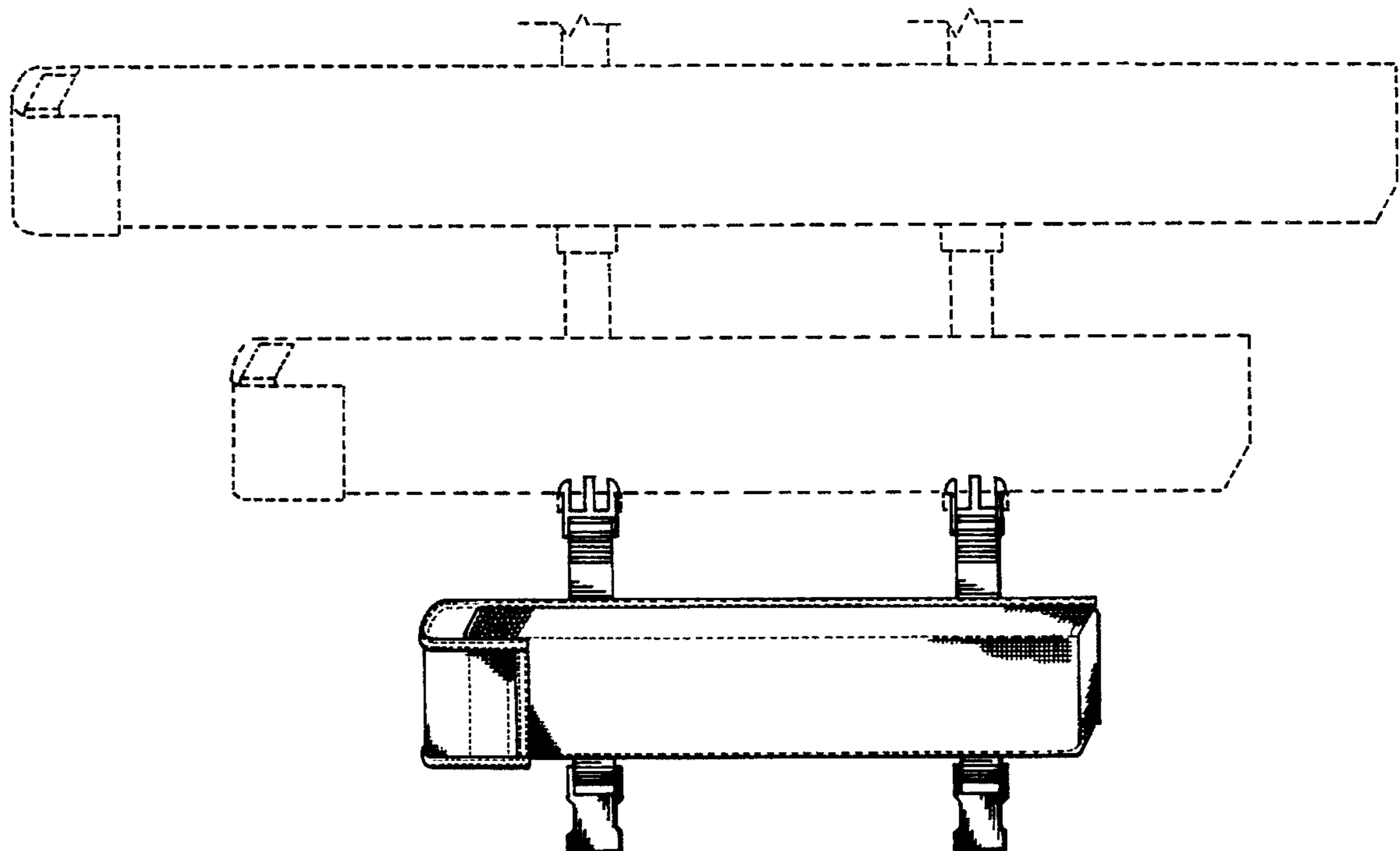
The ornamental design for a modular carrying case for levels, as shown and described.

DESCRIPTION

FIG. 1 is a perspective view of a modular carrying case for levels showing my new design;
 FIG. 2 is a top plan view thereof;
 FIG. 3 is a top plan view showing the closure flap open;
 FIG. 4 is a bottom plan view thereof;
 FIG. 5 is a side elevational view, the right side being a mirror image thereof;
 FIG. 6 is a left side elevational view with the straps removed;
 FIG. 7 is a rear end elevational view of FIG. 2; and,
 FIG. 8 is a front end elevational view thereof.

The broken line showing of environment in FIG. 1 is for illustrative purposes only, and forms no part of the claimed design.

1 Claim, 7 Drawing Sheets



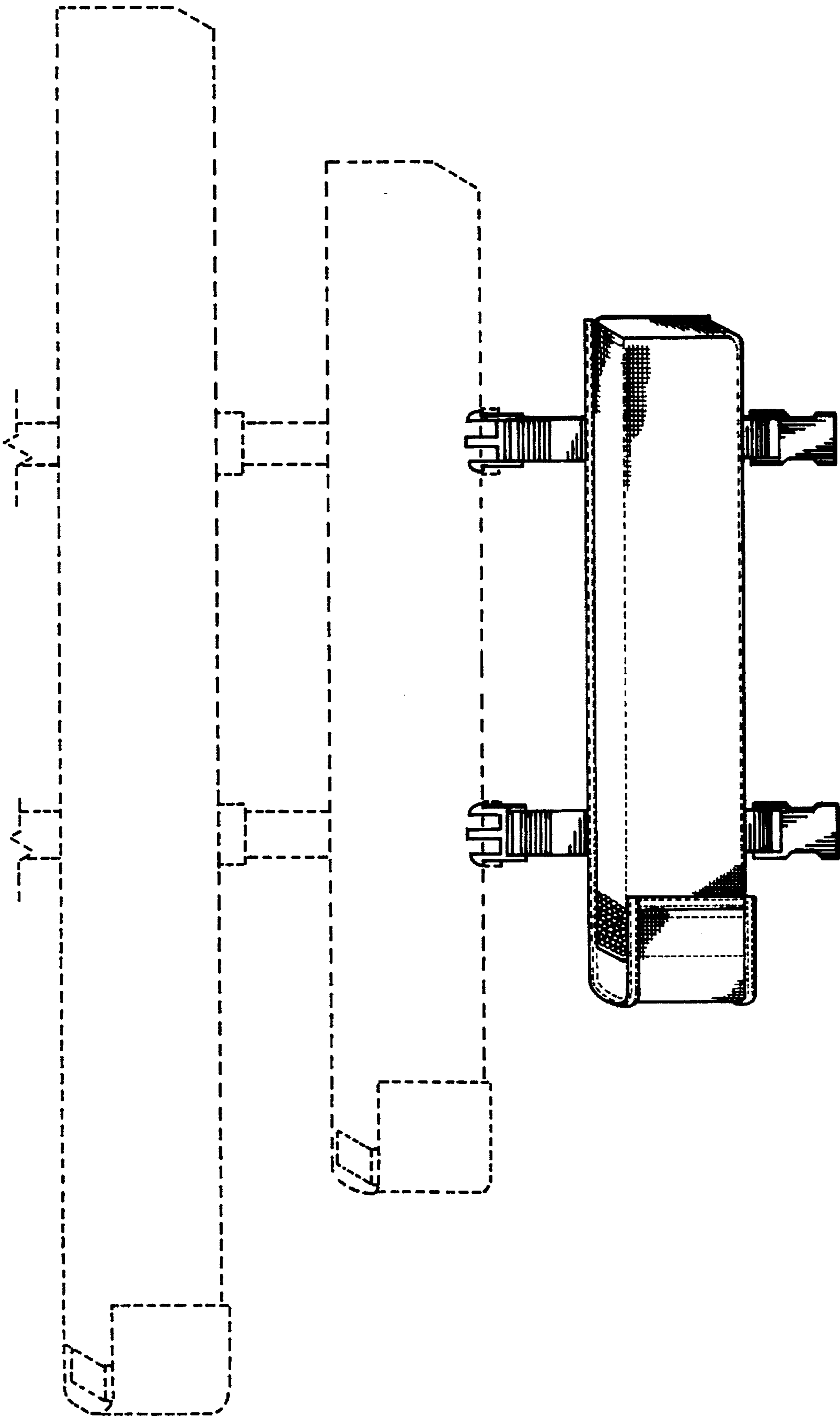


FIG. 1

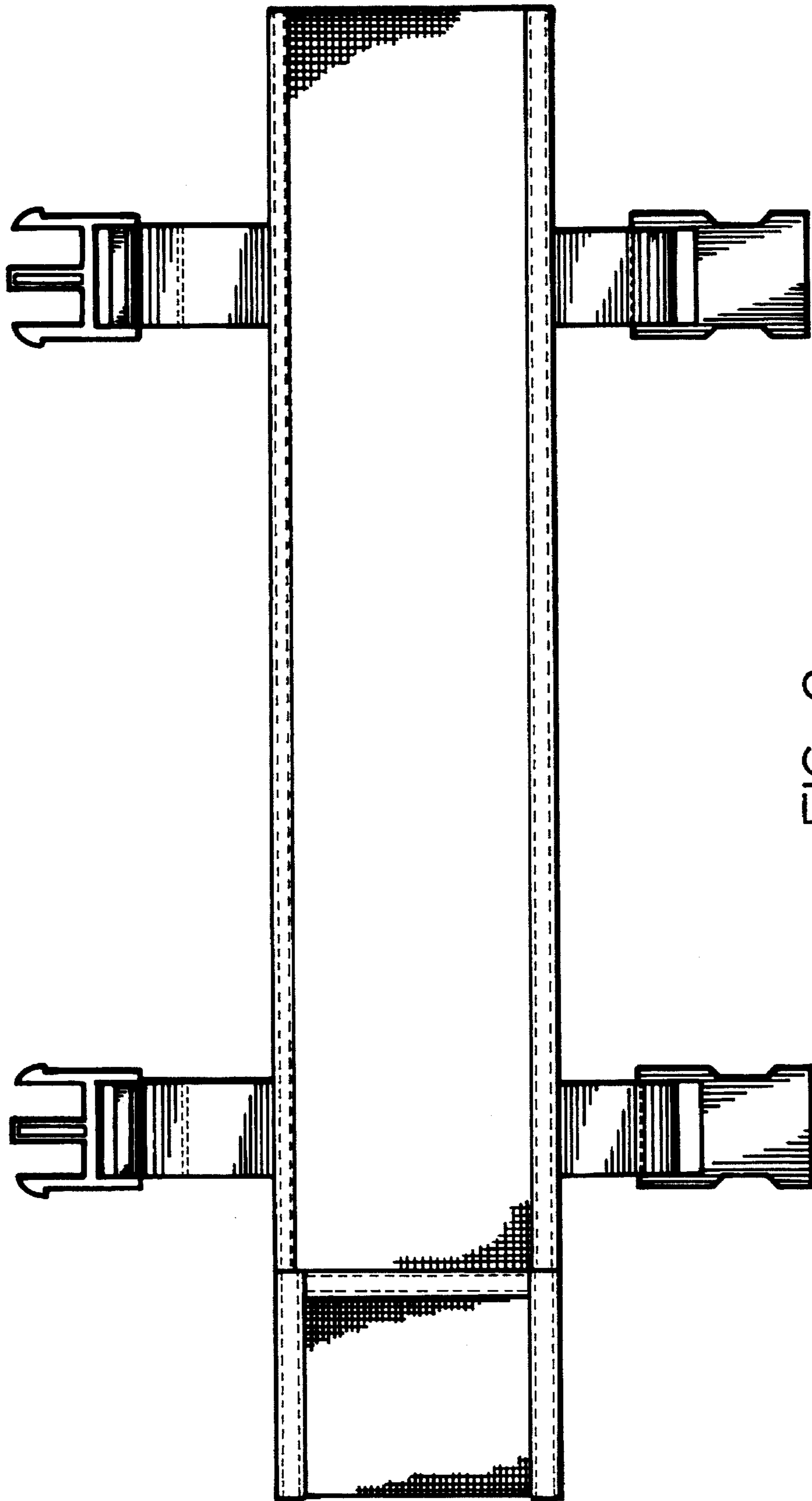


FIG. 2

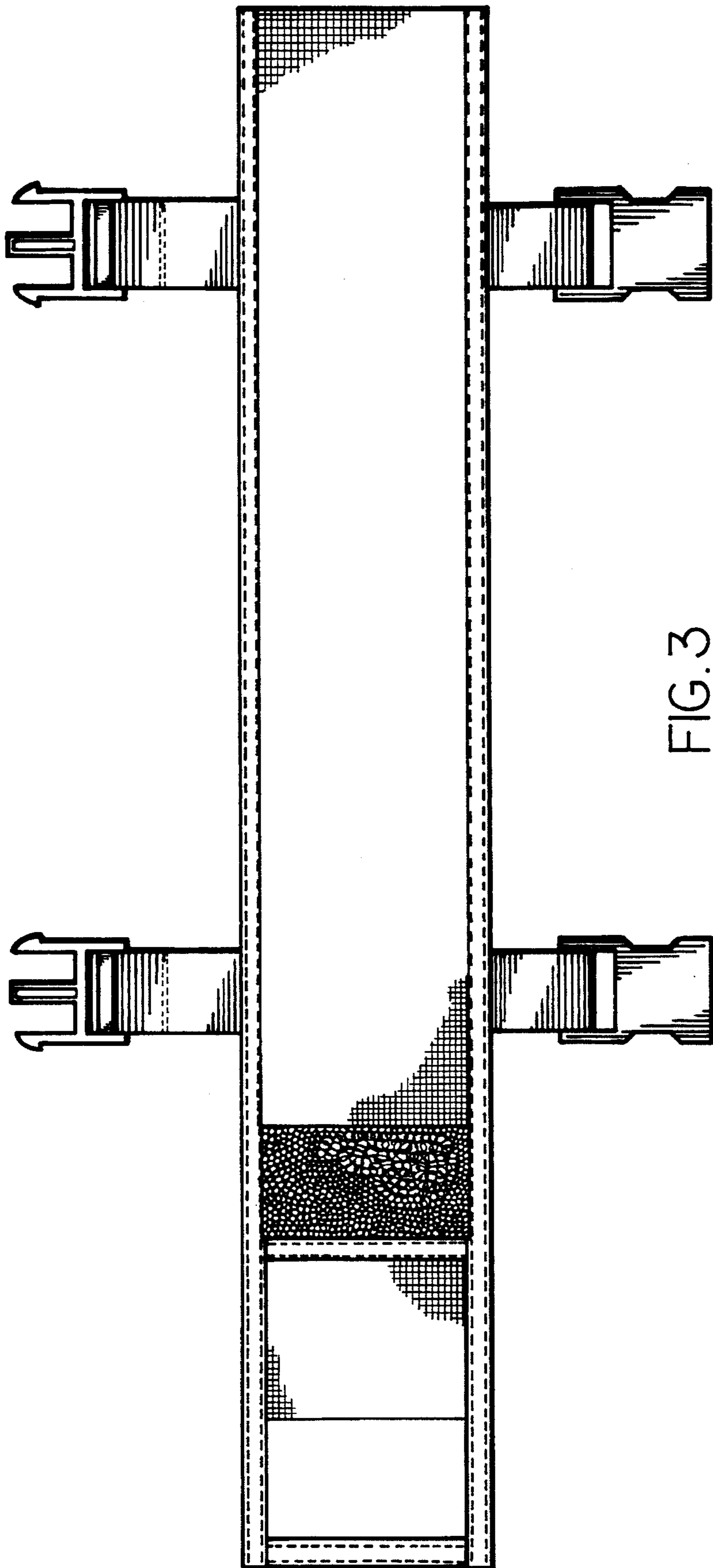


FIG. 3

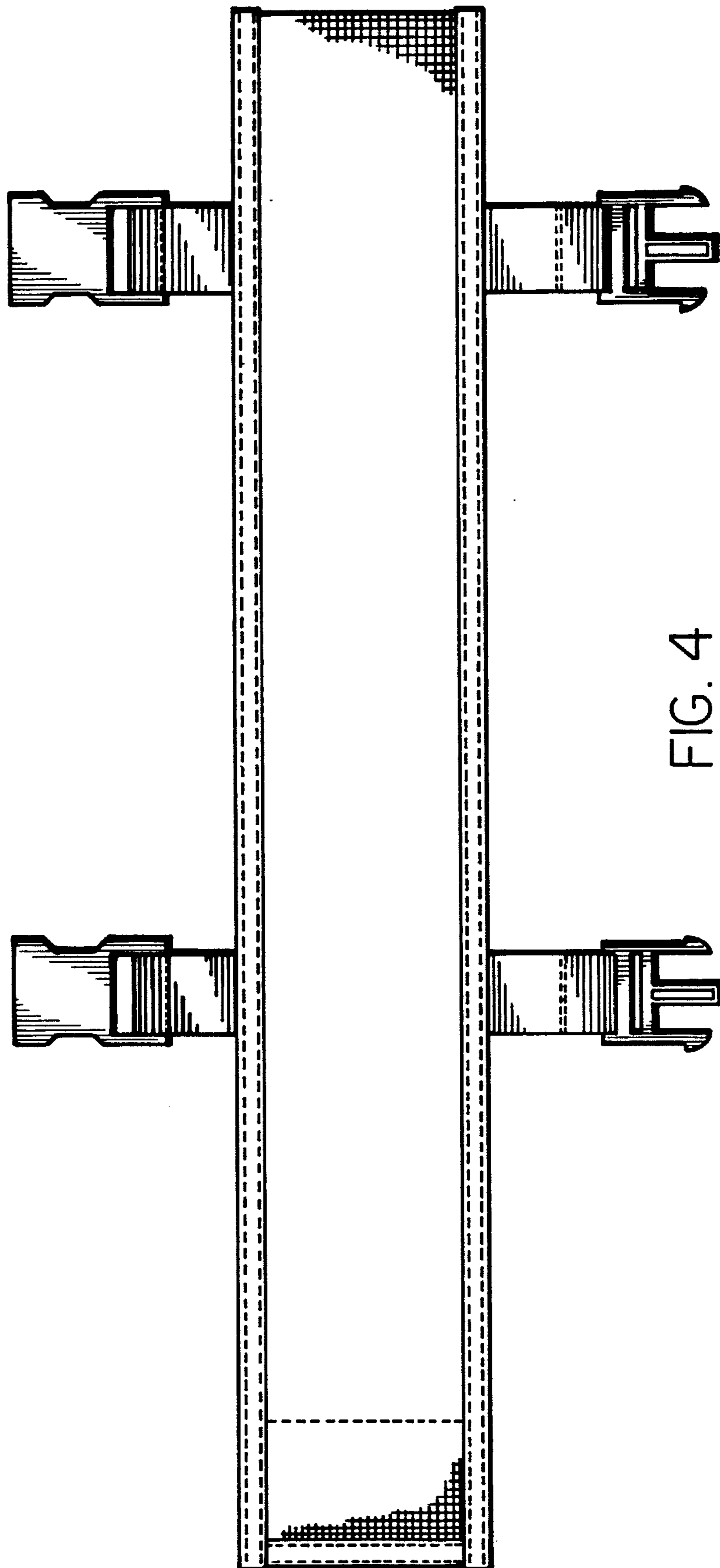


FIG. 4

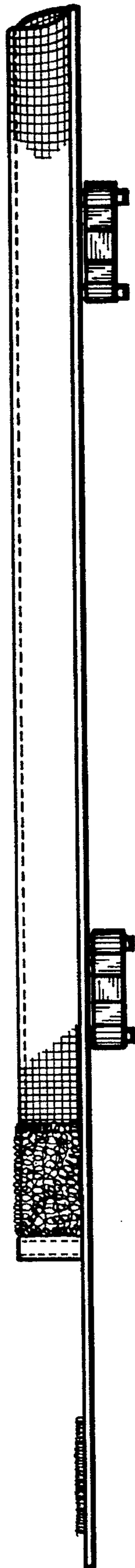


FIG. 5

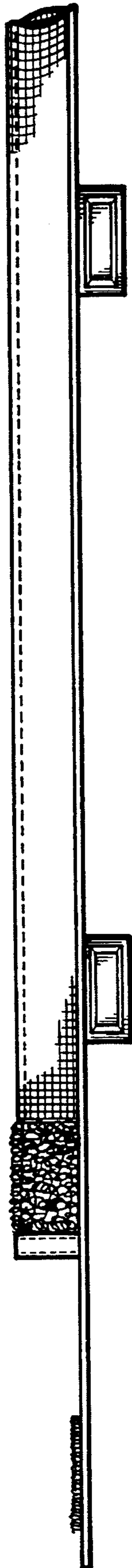


FIG. 6

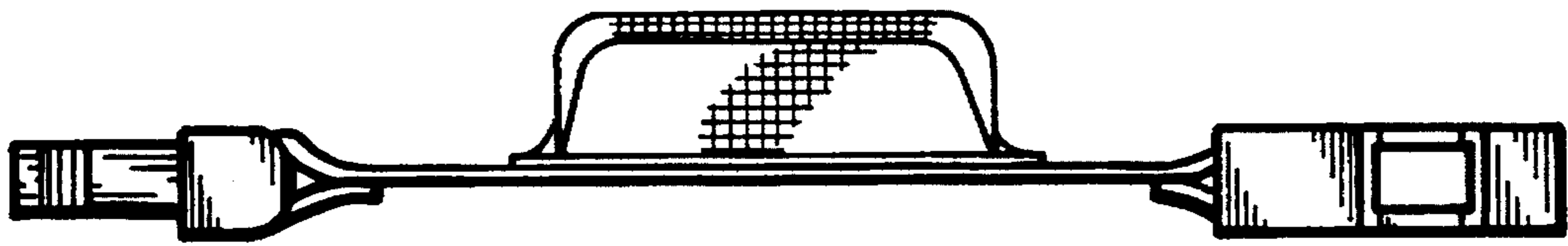


FIG. 7

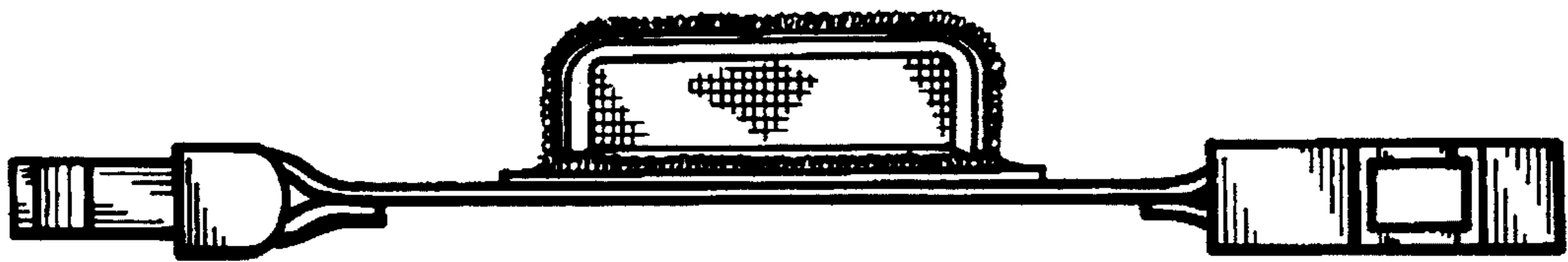


FIG. 8