



US00D364735S

# United States Patent [19]

[11] Patent Number: **Des. 364,735**

Coates

[45] Date of Patent: **\*\*Dec. 5, 1995**

[54] **CHEST MOUNTED CARRIER SHELF**

[76] Inventor: **Clyde J. Coates**, 1229 St. Paul St.,  
Denver, Colo. 80206

[\*\*] Term: **14 Years**

[21] Appl. No.: **30,745**

[22] Filed: **Nov. 7, 1994**

[52] U.S. Cl. .... **D3/219**

[58] Field of Search ..... D3/201, 219, 214,  
D3/213, 216, 215, 327, 267; D29/101;  
D2/626, 623, 630; D6/367, 334; 224/160,  
242, 901, 909

3,884,403	5/1975	Brewer .	
4,271,998	6/1981	Ruggiano .....	D3/214 X
4,458,834	7/1984	Rosen .....	224/160
4,802,612	2/1989	Anderson .	
5,016,797	5/1991	Rowledge .	
5,195,666	3/1993	Yamaguchi et al. ....	D3/214 X

*Primary Examiner*—Ted Shooman  
*Assistant Examiner*—Paula Mortimer  
*Attorney, Agent, or Firm*—Donald W. Margolis; Emery L. Tracy

## [57] CLAIM

The ornamental design for a chest mounted carrier shelf, as shown and described.

## DESCRIPTION

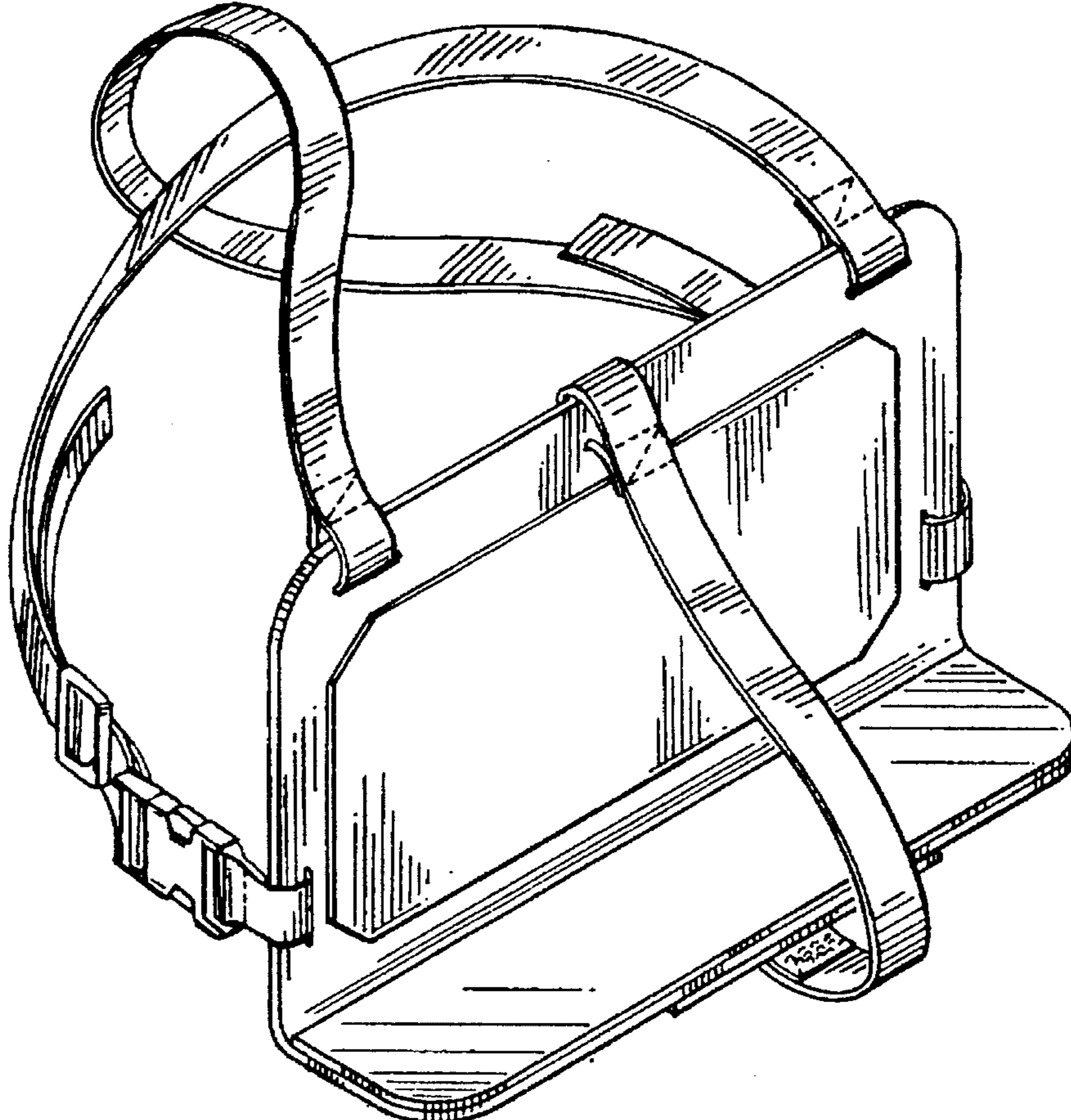
FIG. 1 is a front perspective view of a chest mounted carrier shelf showing my new design;  
FIG. 2 is a front elevational view thereof;  
FIG. 3 is a rear elevational view thereof;  
FIG. 4 is a left side elevational thereof, the right side elevational view being a mirror image thereof;  
FIG. 5 is a bottom plan view thereof; and,  
FIG. 6 is a top plan view thereof.

**1 Claim, 2 Drawing Sheets**

## [56] References Cited

### U.S. PATENT DOCUMENTS

D. 306,379	3/1990	Kobasic .....	D3/216 X
D. 351,061	10/1994	Coons .....	D3/219
1,271,176	7/1918	Kureczka .....	224/160
2,711,122	7/1955	Klumpp .	
3,273,484	9/1966	Lapsley .	
3,305,148	2/1967	Zimmerman .	
3,507,424	4/1970	Burkins .	
3,661,308	5/1972	Walters .	



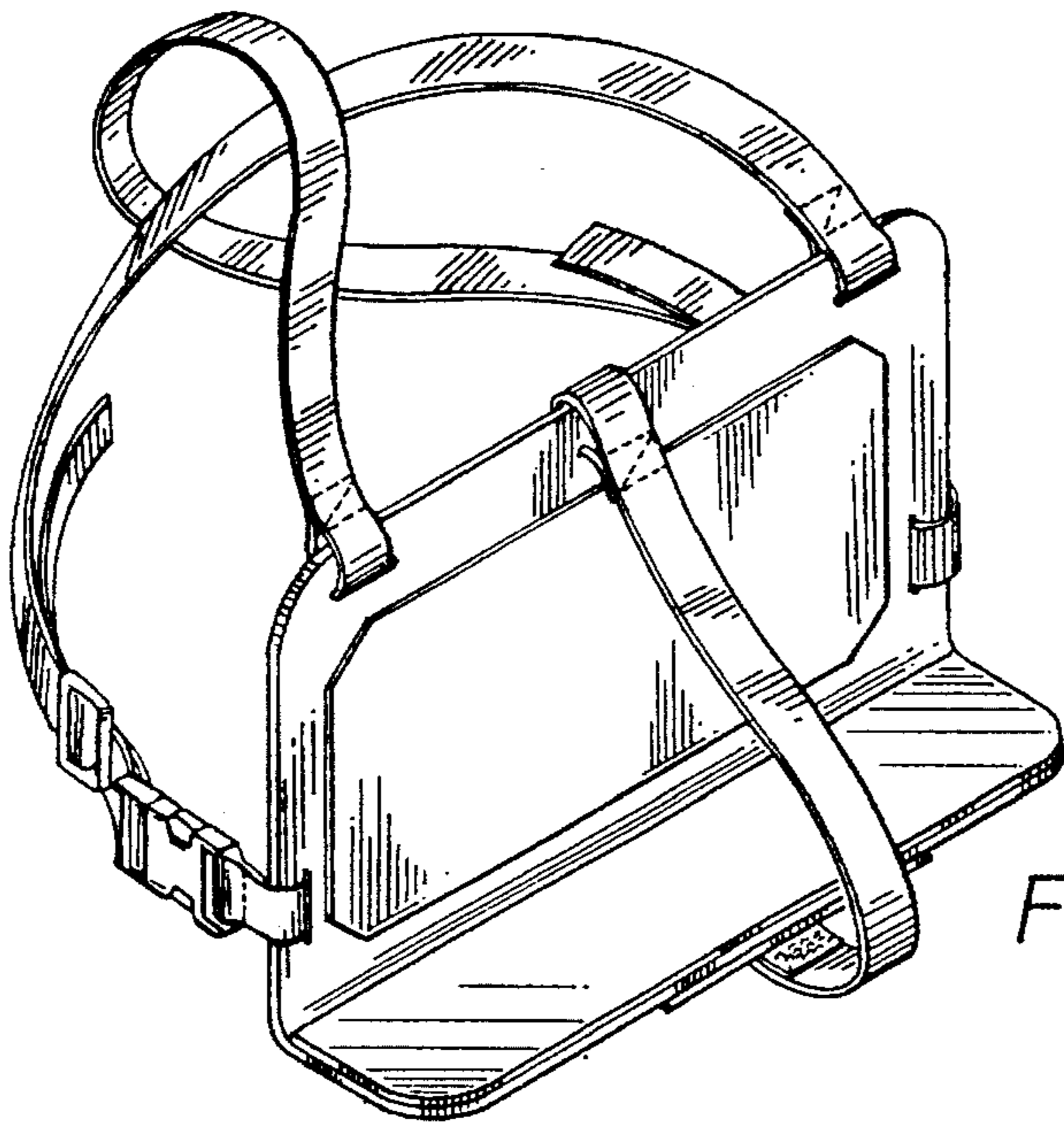


FIG. 1

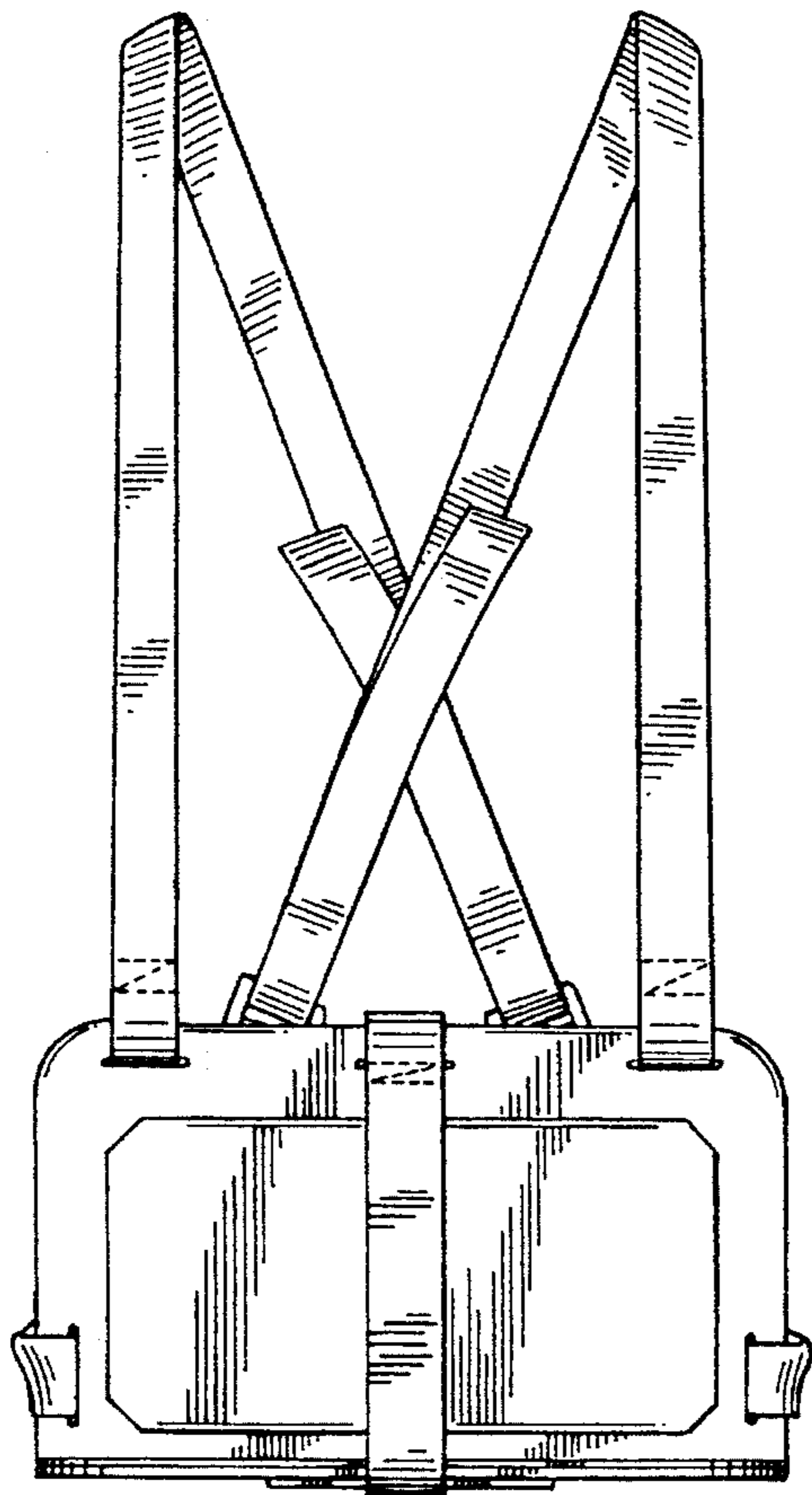


FIG. 2

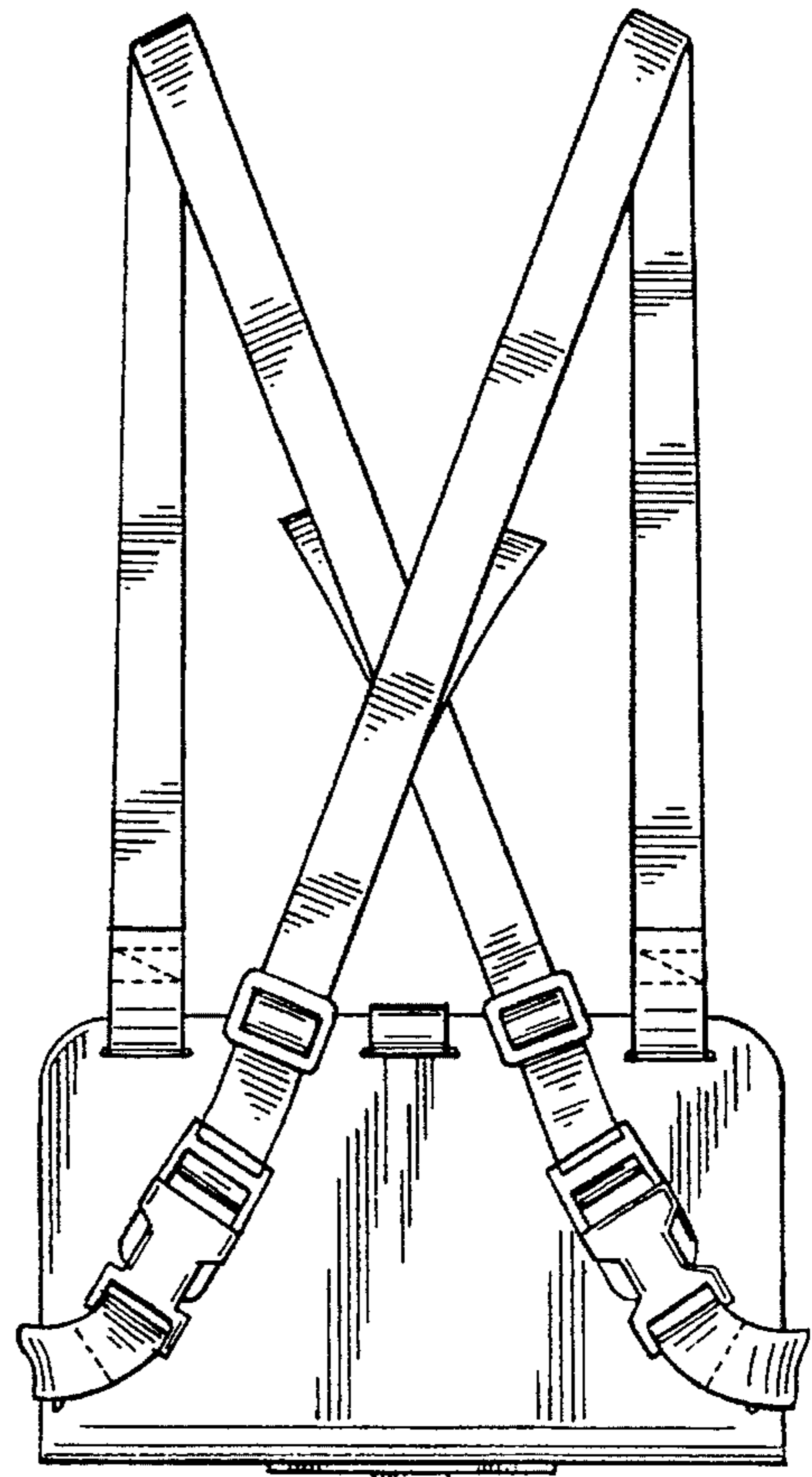


FIG. 3



FIG. 4

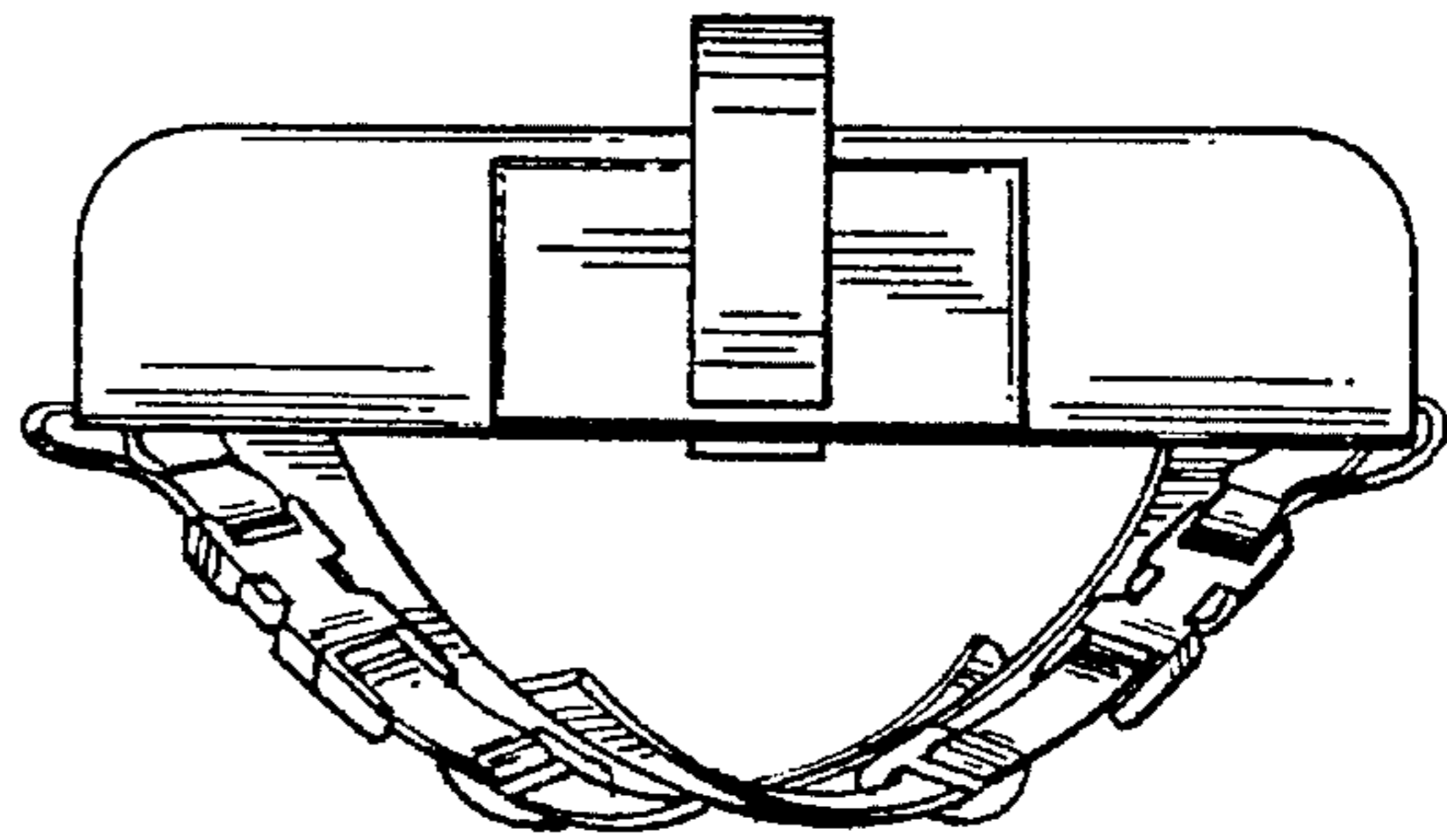


FIG. 6

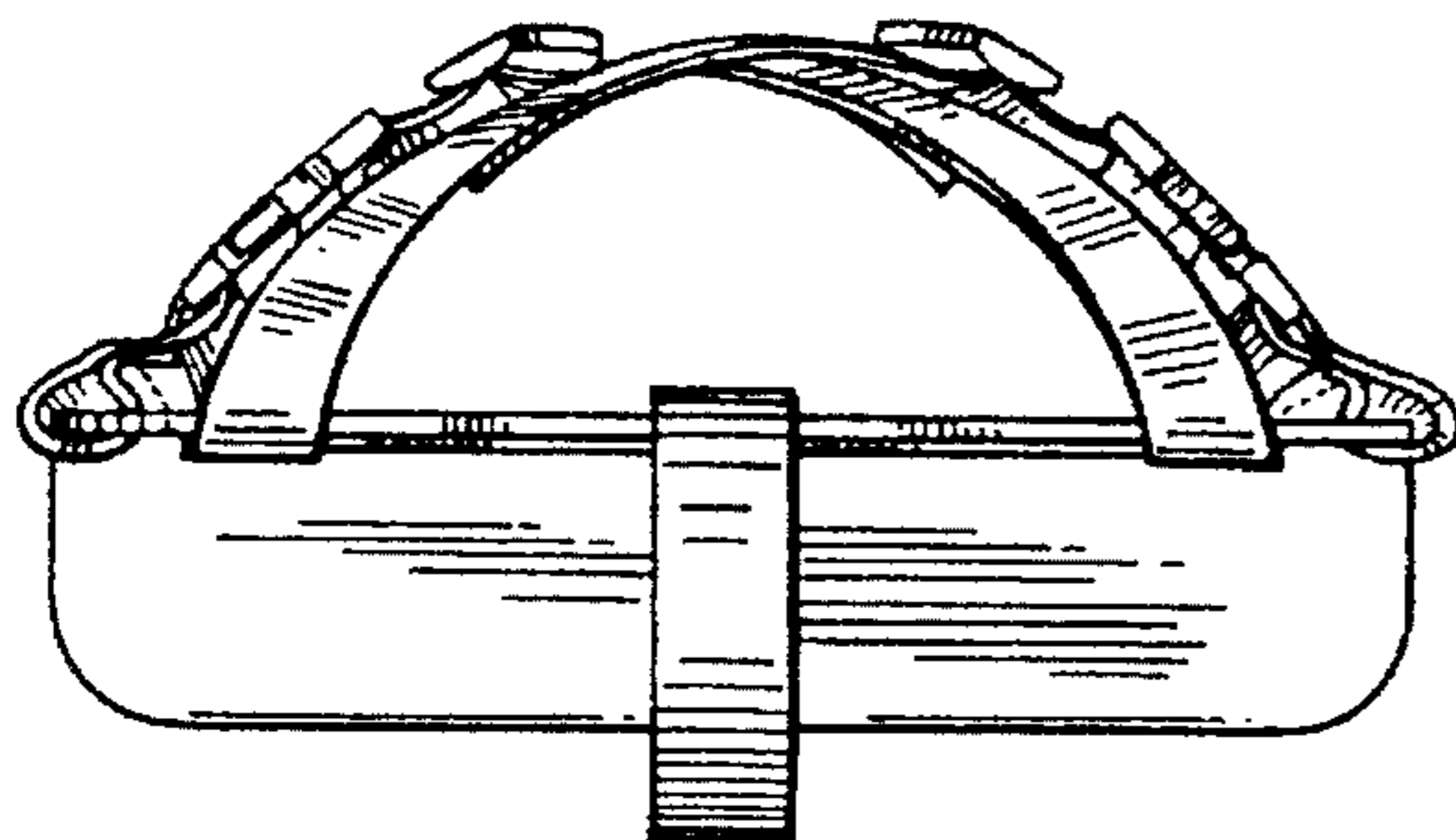


FIG. 5