



US00D364733S

**United States Patent** [19]  
**Cavender**

[11] **Patent Number:** **Des. 364,733**  
[45] **Date of Patent:** **\*\*Dec. 5, 1995**

[54] **BOW MAKING APPARATUS**  
[76] Inventor: **Deborah L. Cavender**, 2825 Top Rd.,  
Sevierville, Tenn. 37862  
[\*\*] Term: **14 Years**  
[21] Appl. No.: **33,379**  
[22] Filed: **Jan. 11, 1995**

3,428,227	2/1969	Cavoli .....	223/46
3,501,070	3/1970	Shattuck .....	223/46
3,816,888	6/1974	Rather, Jr. ....	28/2
3,854,179	12/1974	Montoya .....	28/2
4,337,578	7/1982	Seals .....	33/125 R
4,454,968	6/1984	St. Lawrence .....	223/46
4,629,100	12/1986	Owens .....	223/46
5,040,708	8/1991	Blair et al. ....	223/106
5,100,706	3/1992	Zaweski .....	428/4
5,215,791	6/1993	Davignon .....	428/5
5,231,742	8/1993	Macbain .....	28/151
5,284,186	2/1994	Bontshek .....	28/151 X
5,411,188	5/1995	Tauten .....	223/46

**Related U.S. Application Data**

[63] Continuation-in-part of Ser. No. 133,618, Oct. 7, 1993,  
abandoned.  
[52] **U.S. Cl.** ..... **D3/26**  
[58] **Field of Search** ..... **D3/18, 20, 23,**  
**D3/26; D8/14; 28/147, 149, 150, 151, 152;**  
**223/46, 106, 107, 108, 109 R; 248/447,**  
**450, 451, 461; 289/17, 18.1; 428/4, 5**

*Primary Examiner*—Alan P. Douglas  
*Assistant Examiner*—Antoine D. Davis  
*Attorney, Agent, or Firm*—Pitts & Brittan

[56] **References Cited**

**U.S. PATENT DOCUMENTS**

D. 46,137	7/1914	Reist .....	D3/26
D. 46,497	10/1914	Gulick .....	D3/26 X
D. 266,799	11/1982	Mace .....	D3/23
696,361	3/1902	Chase .	
1,010,155	11/1911	Lange .	
1,598,310	8/1926	Quinlan .	
1,675,881	7/1928	Denney .....	28/149 X
2,077,370	4/1937	Reynolds .....	223/46
2,105,436	1/1938	Flatto .....	132/47
2,542,222	2/1951	Welch .....	223/46
2,666,249	1/1954	Ruiz et al. ....	28/2
2,763,080	9/1956	Welch .....	41/10
3,223,440	12/1965	Rosenzweig .....	289/1.2
3,377,674	4/1968	Brassaw et al. ....	28/2

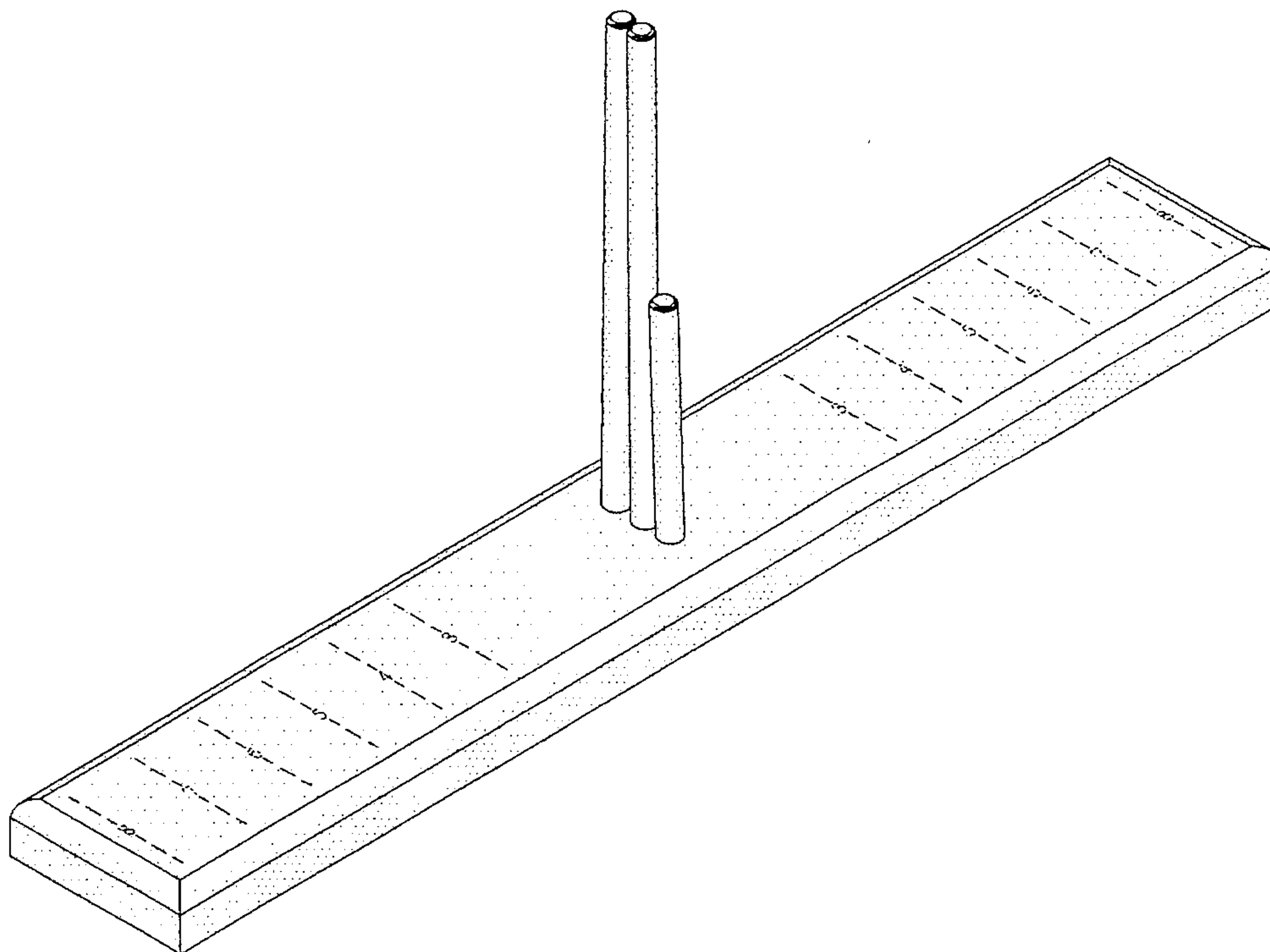
[57] **CLAIM**

The ornamental design for a bow making apparatus, as shown and described.

**DESCRIPTION**

FIG. 1 is a perspective view of a bow making apparatus showing our new design;  
FIG. 2 is a top plan view thereof;  
FIG. 3 is a front elevation view thereof;  
FIG. 4 is a bottom plan view thereof;  
FIG. 5 is a rear elevation view thereof;  
FIG. 6 is a right side elevational view thereof; and,  
FIG. 7 is a left side elevational view thereof.  
The broken lines, including the numerals represented in broken lines, in FIGS. 1 and 2 form no part of the ornamental design claimed herein.

**1 Claim, 4 Drawing Sheets**



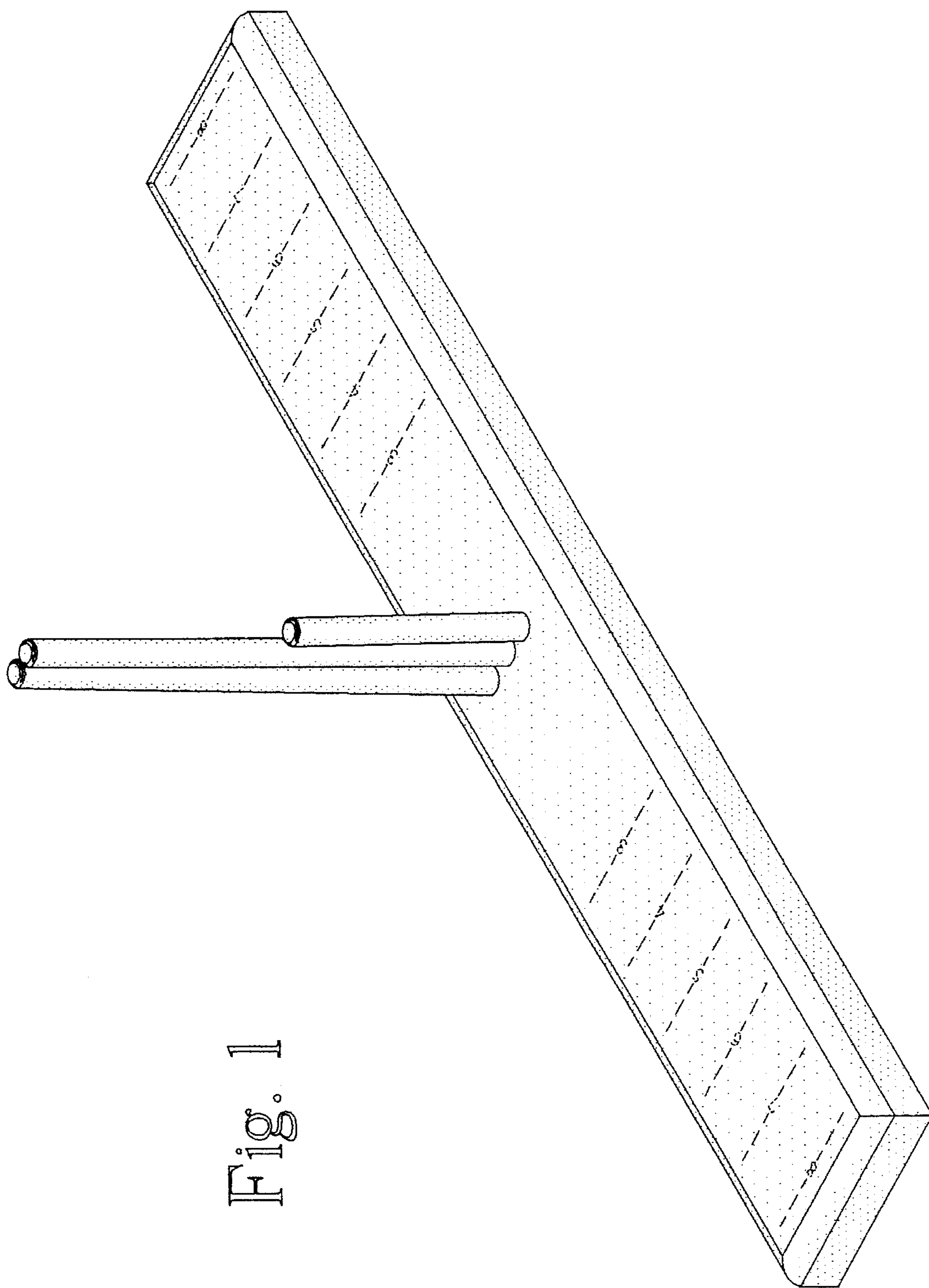


Fig. 1

Fig. 2

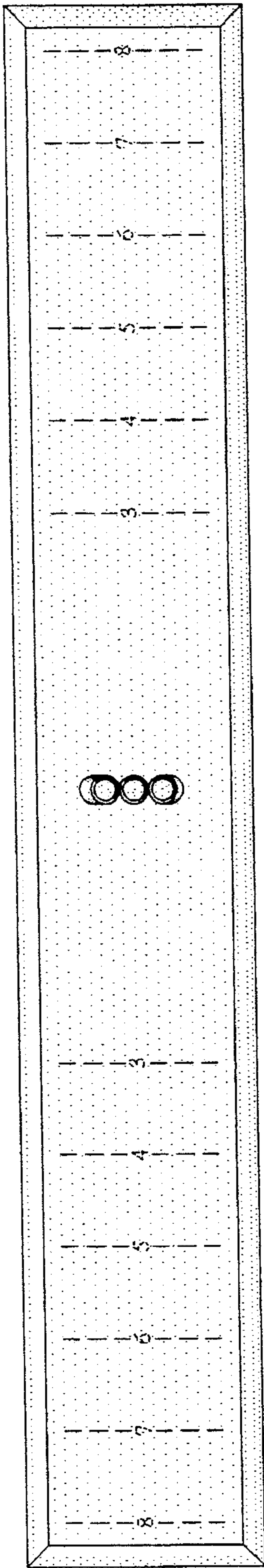


Fig. 3

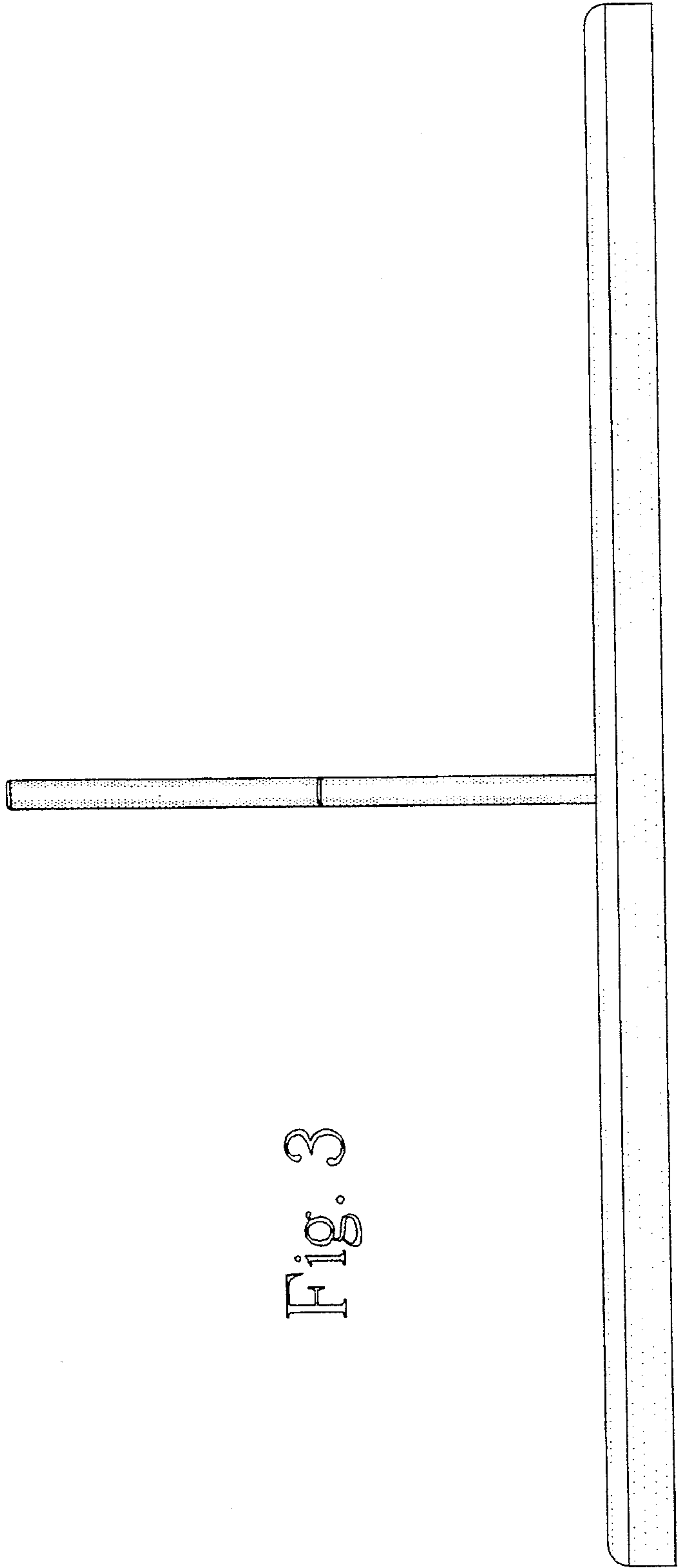


Fig. 4

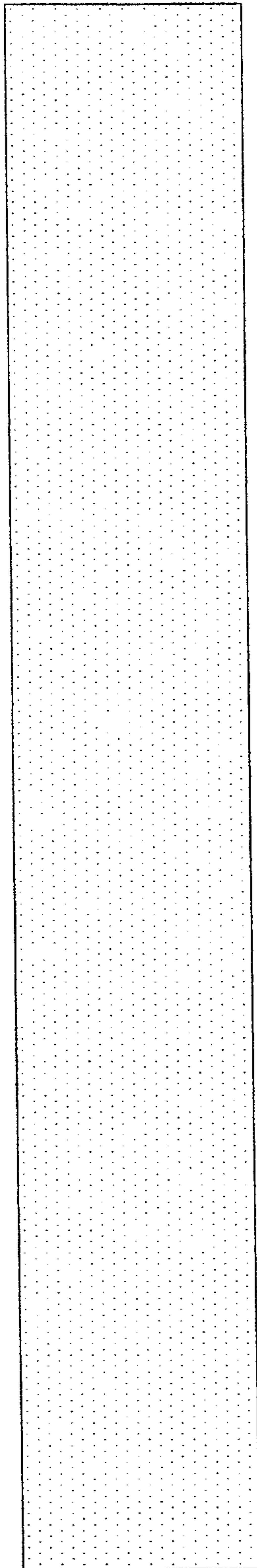
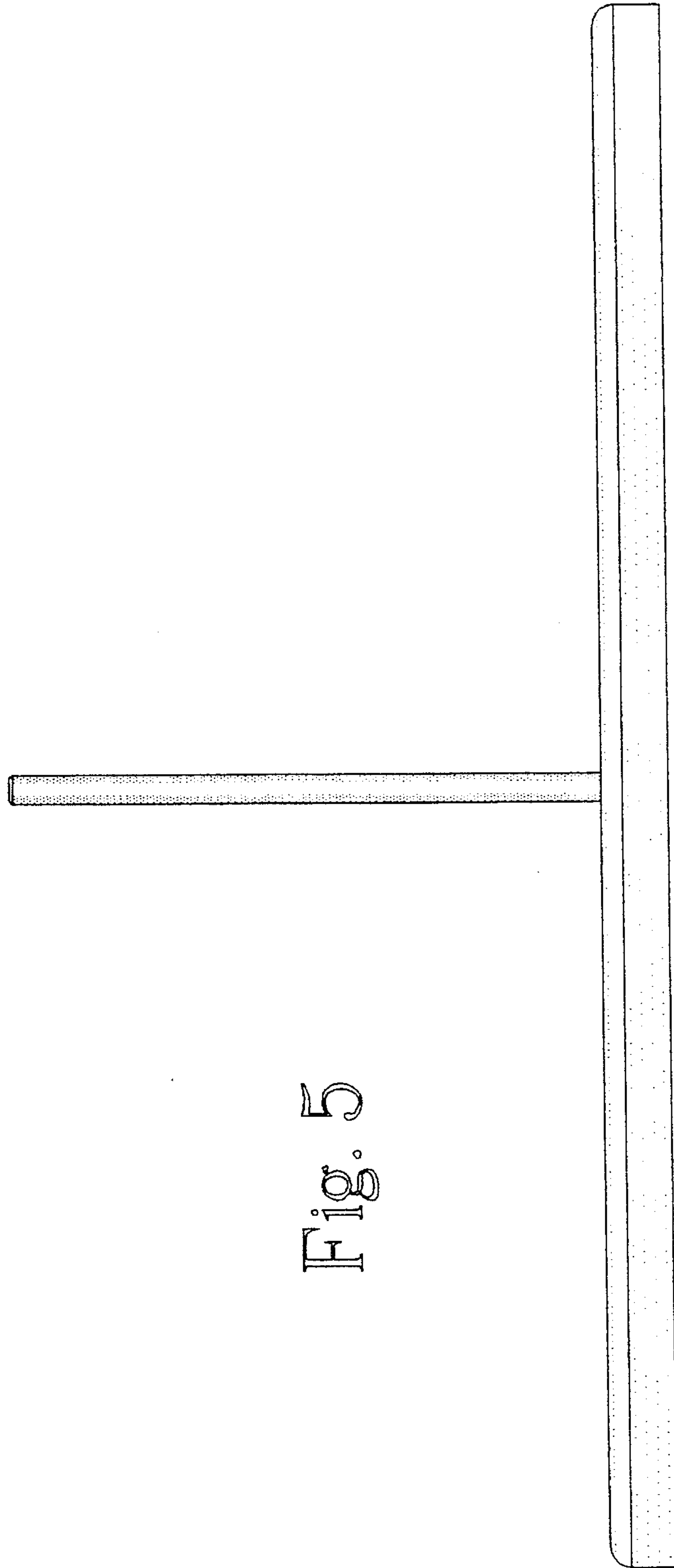


Fig. 5





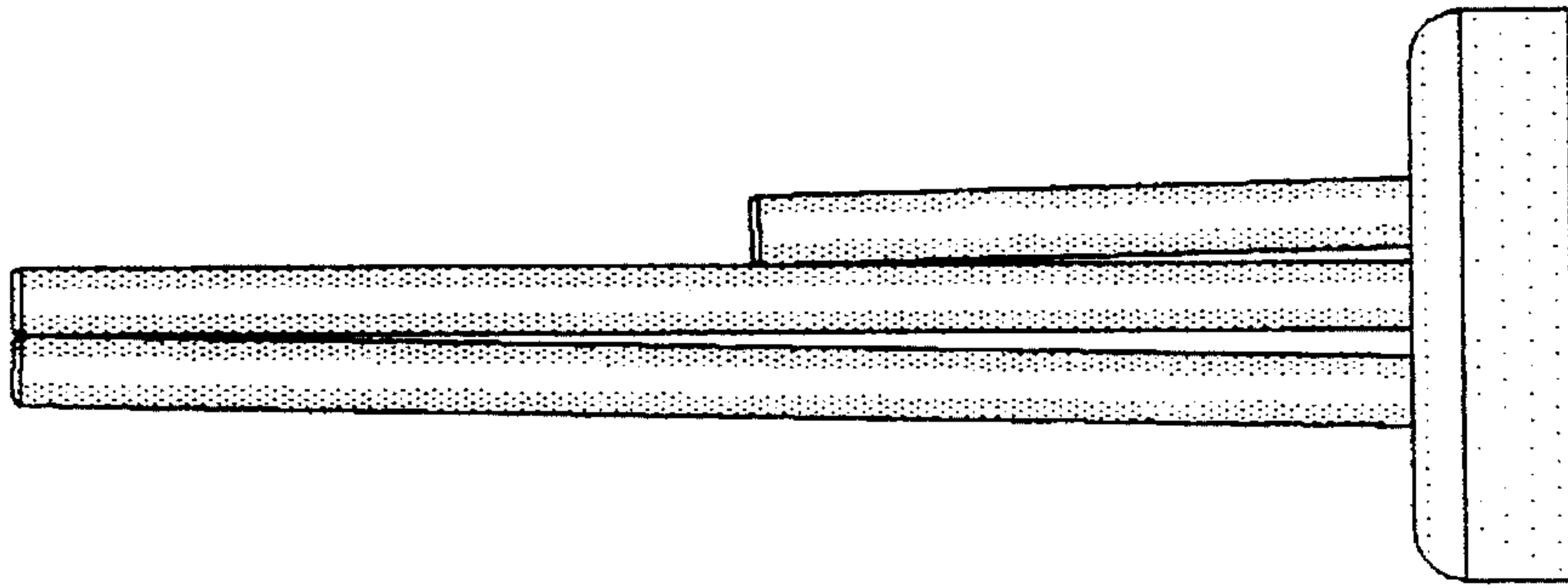


Fig. 7

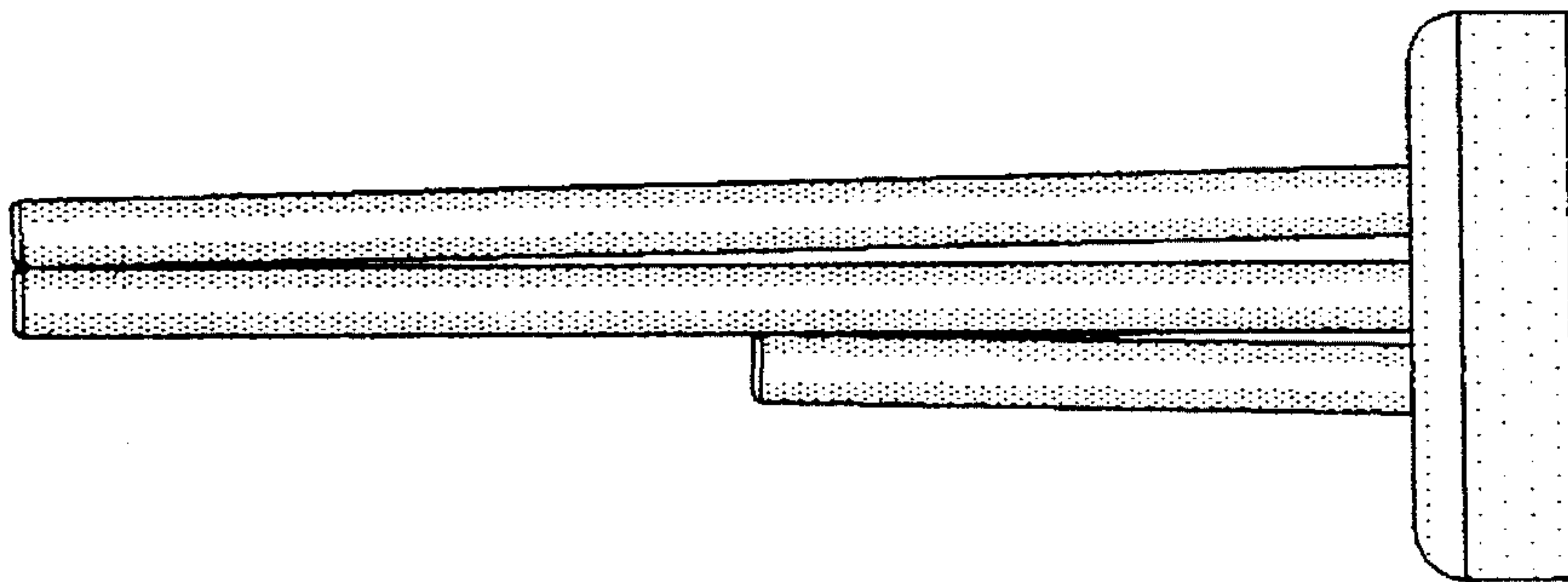


Fig. 6