



US00D364732S

# United States Patent [19]

**Hyche**

[11] **Patent Number: Des. 364,732**

[45] **Date of Patent: \*\*Dec. 5, 1995**

[54] **STAND FOR MAKING A POM-POM, FRINGE TASSEL OR BOW**

D. 275,151 8/1984 Okada ..... D3/26  
D. 333,559 3/1993 Rowley ..... D3/25

[76] **Inventor: Alice L. Hyche, 9405 Indian Springs Dr., Roswell, Ga. 30075**

*Primary Examiner*—Ralf Seifert  
*Attorney, Agent, or Firm*—Hopkins & Thomas

[\*\*] **Term: 14 Years**

[57] **CLAIM**

[21] **Appl. No.: 24,643**

The ornamental design of a stand for making a pom-pom, fringe tassel or bow, as shown and described.

[22] **Filed: Jun. 17, 1994**

[52] **U.S. Cl. .... D3/26**

[58] **Field of Search ..... D2/20-26; D6/575-580; 242/118.8, 222**

**DESCRIPTION**

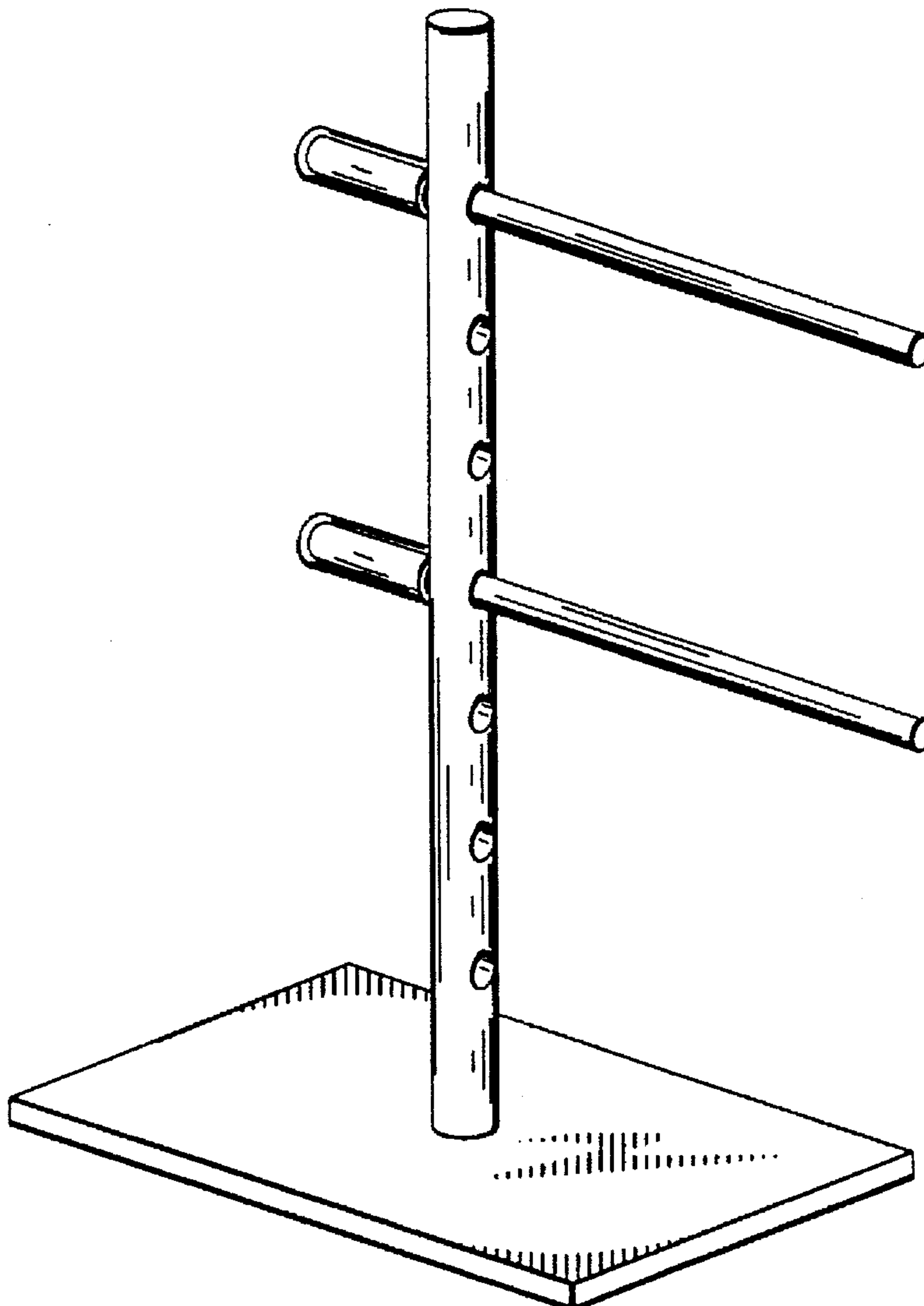
FIG. 1 is a front perspective view of a stand for making a pom-pom, fringe tassel or bow showing my new design; FIG. 2 is a rear elevational view thereof; FIG. 3 is a left side elevational view thereof; FIG. 4 is a right side elevational view thereof; and, FIG. 5 is a top plan view thereof.

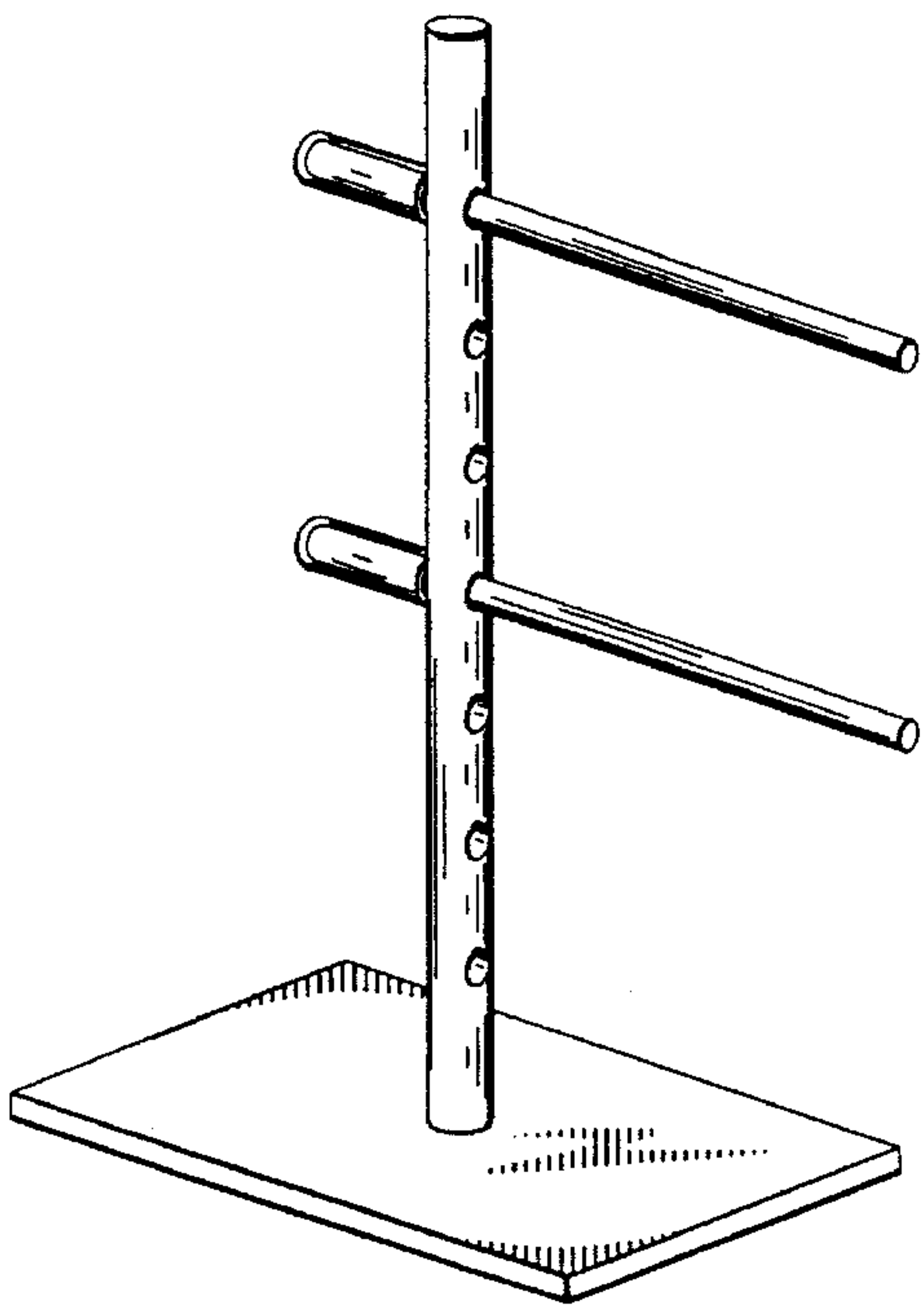
[56] **References Cited**

**U.S. PATENT DOCUMENTS**

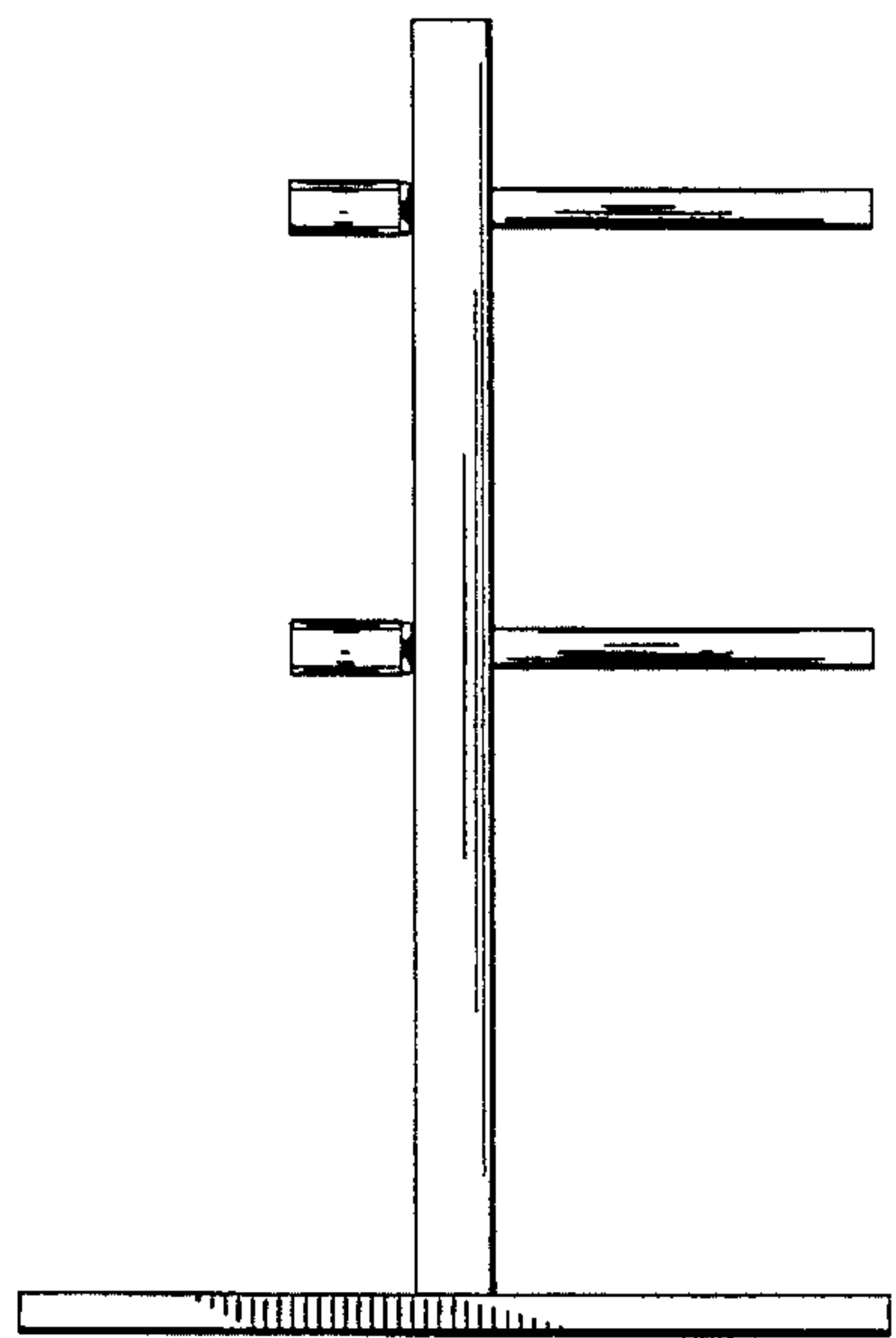
D. 229,988 1/1974 Sovia ..... D3/26  
D. 239,070 3/1976 Gray ..... D3/20  
D. 252,538 8/1979 Hollyday ..... D3/26

**1 Claim, 1 Drawing Sheet**

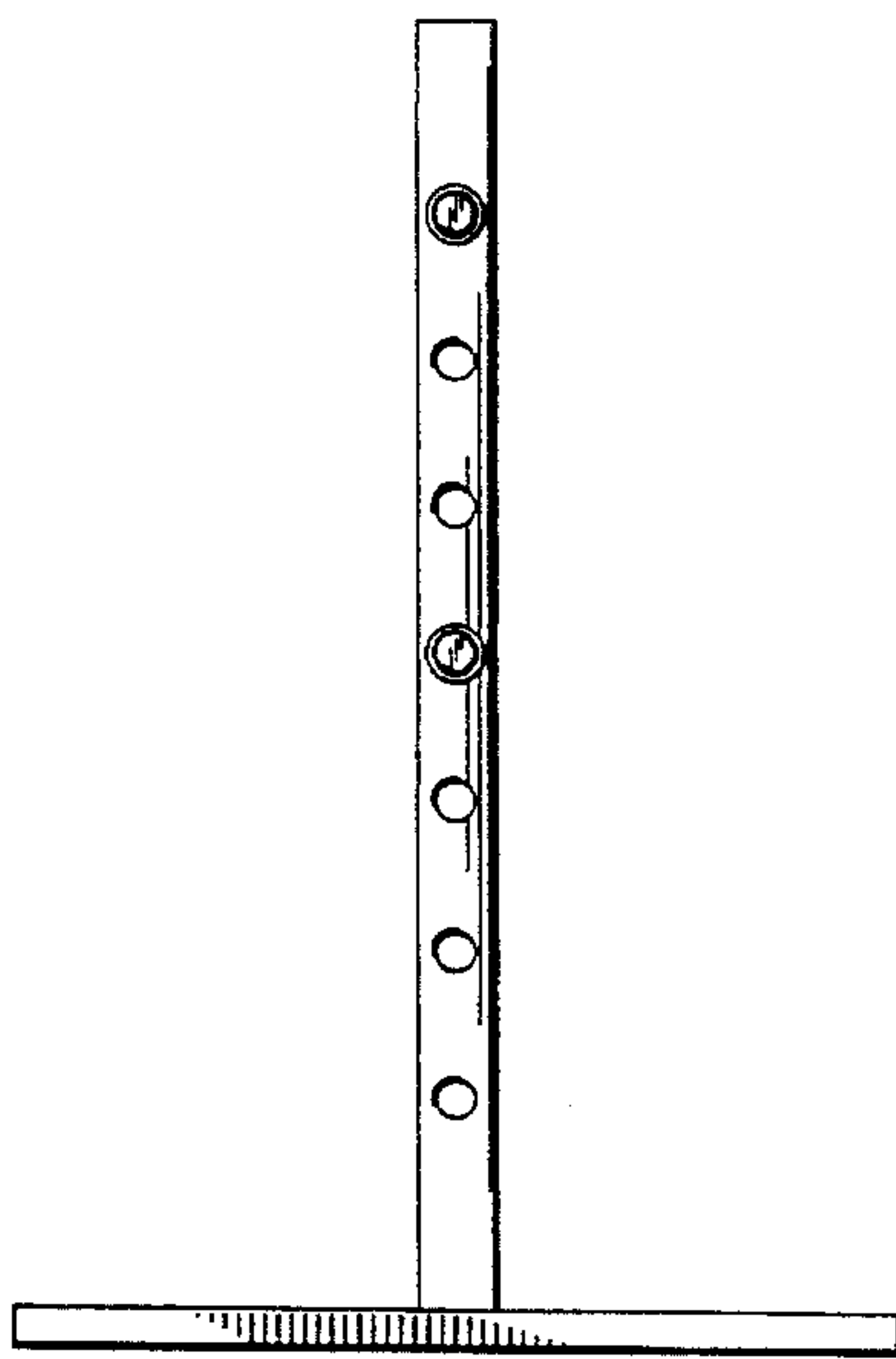




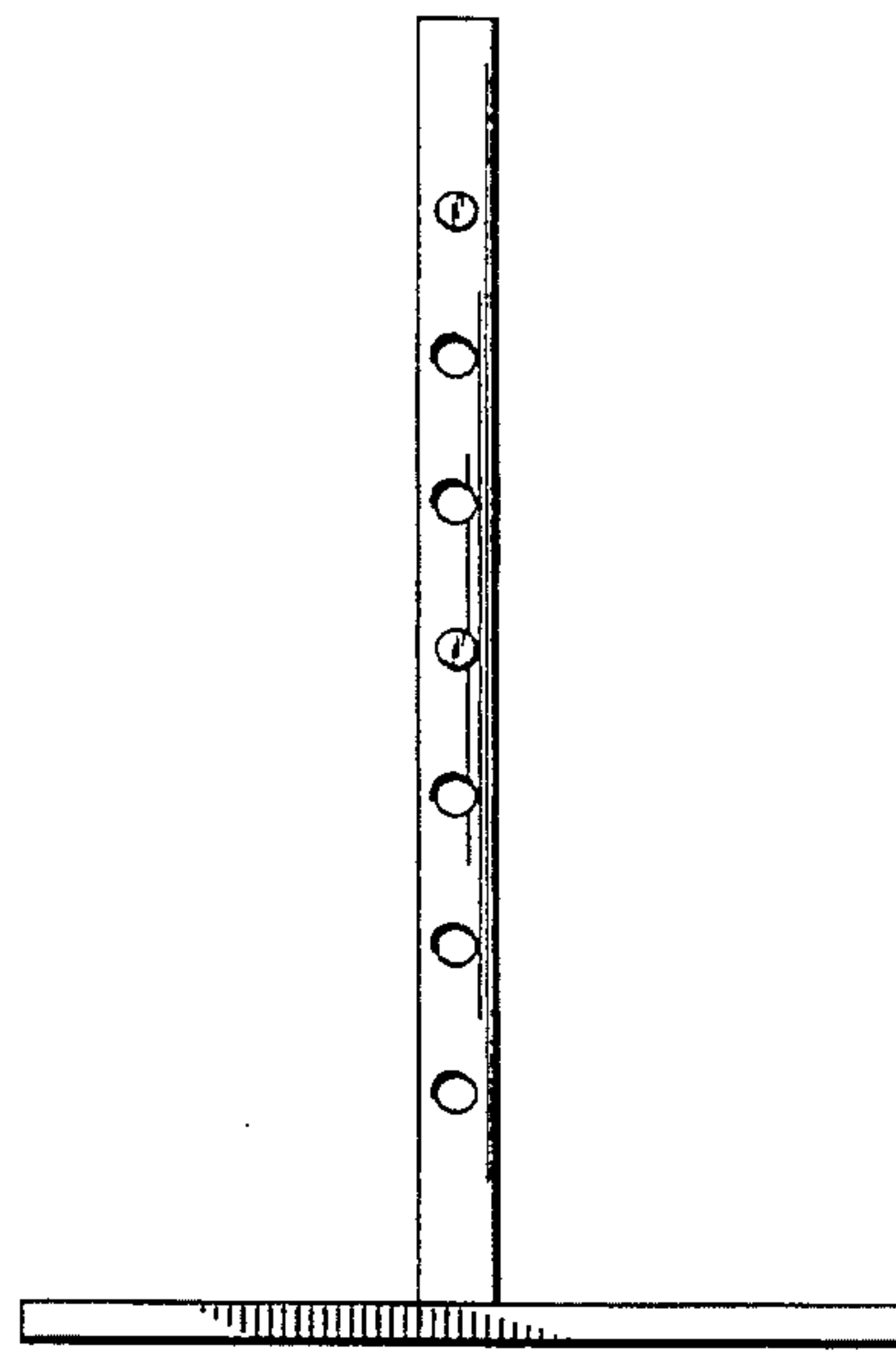
**FIG. 1**



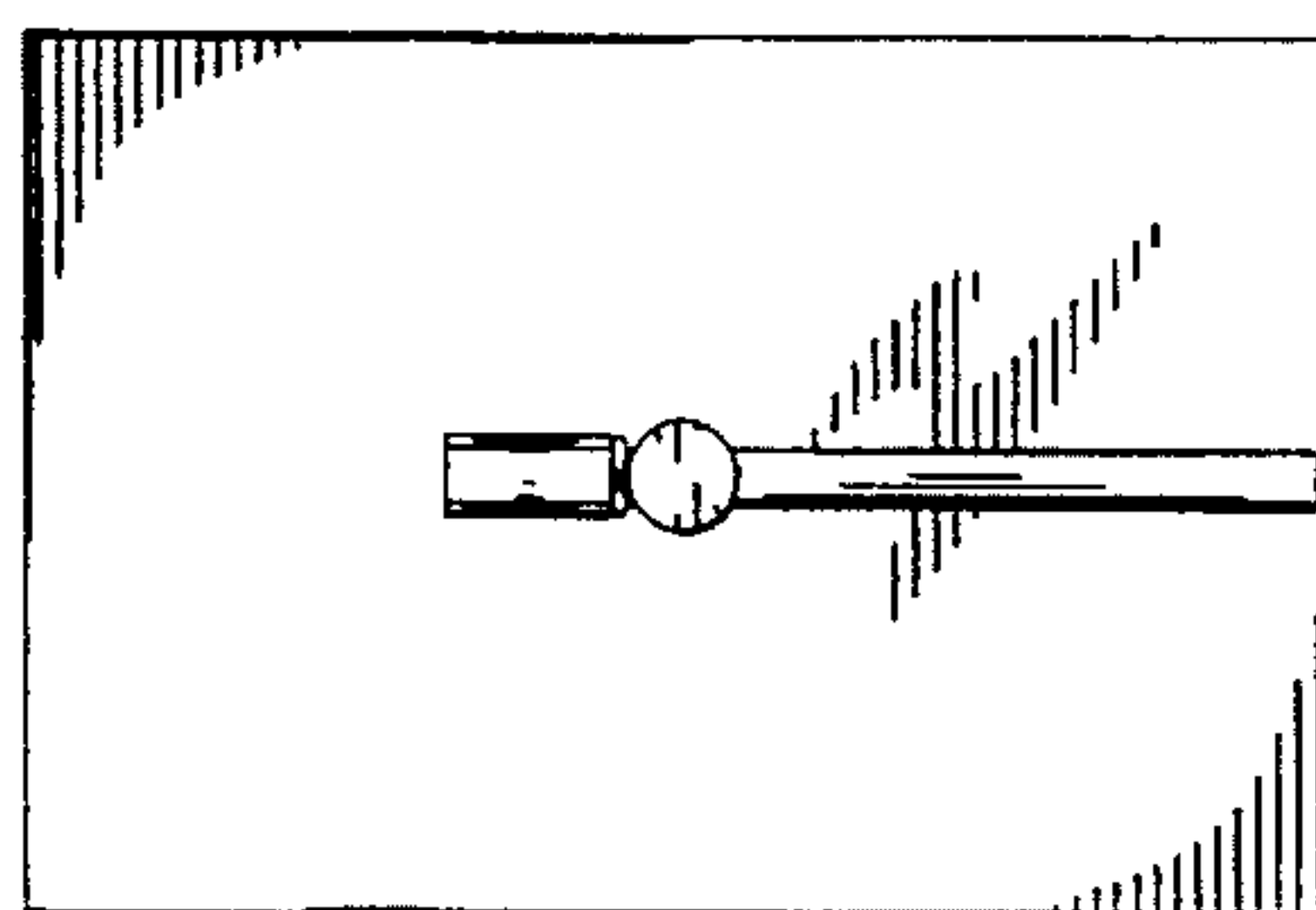
**FIG. 2**



**FIG. 3**



**FIG. 4**



**FIG. 5**