



US00D364720S

United States Patent [19]

[11] Patent Number: **Des. 364,720**

Francis et al.

[45] Date of Patent: ****Nov. 28, 1995**

[54] ICE SCRAPER

3,363,316 1/1968 Skarsten 15/236.05 X
4,984,324 1/1991 Farris 15/236.05

[75] Inventors: **Paul S. Francis; Teryl K. Rouse**, both of Kansas City, Mo.

Primary Examiner—A. Hugo Word

Assistant Examiner—Lavone D. Tabor

[73] Assignee: **Innovation Development, Inc.**, Kansas City, Mo.

Attorney, Agent, or Firm—Kokjer, Kircher, Bowman & Johnson

[**] Term: **14 Years**

[57] CLAIM

[21] Appl. No.: **15,690**

The ornamental design for an ice scraper, as shown and described.

[22] Filed: **Nov. 26, 1993**

DESCRIPTION

[52] U.S. Cl. **D32/49; D32/46**

FIG. 1 is a left side elevational view of an ice scraper showing our new design, the right side appearing as a mirror image;

[58] Field of Search D32/40, 46, 48-49; 15/236.01, 236.02, 236.05, 236.06, 236.08, 236.09; 30/169, 171-173

FIG. 2 is a top plan view thereof;

FIG. 3 is a front elevational view thereof;

FIG. 4 is a rear elevational view thereof; and,

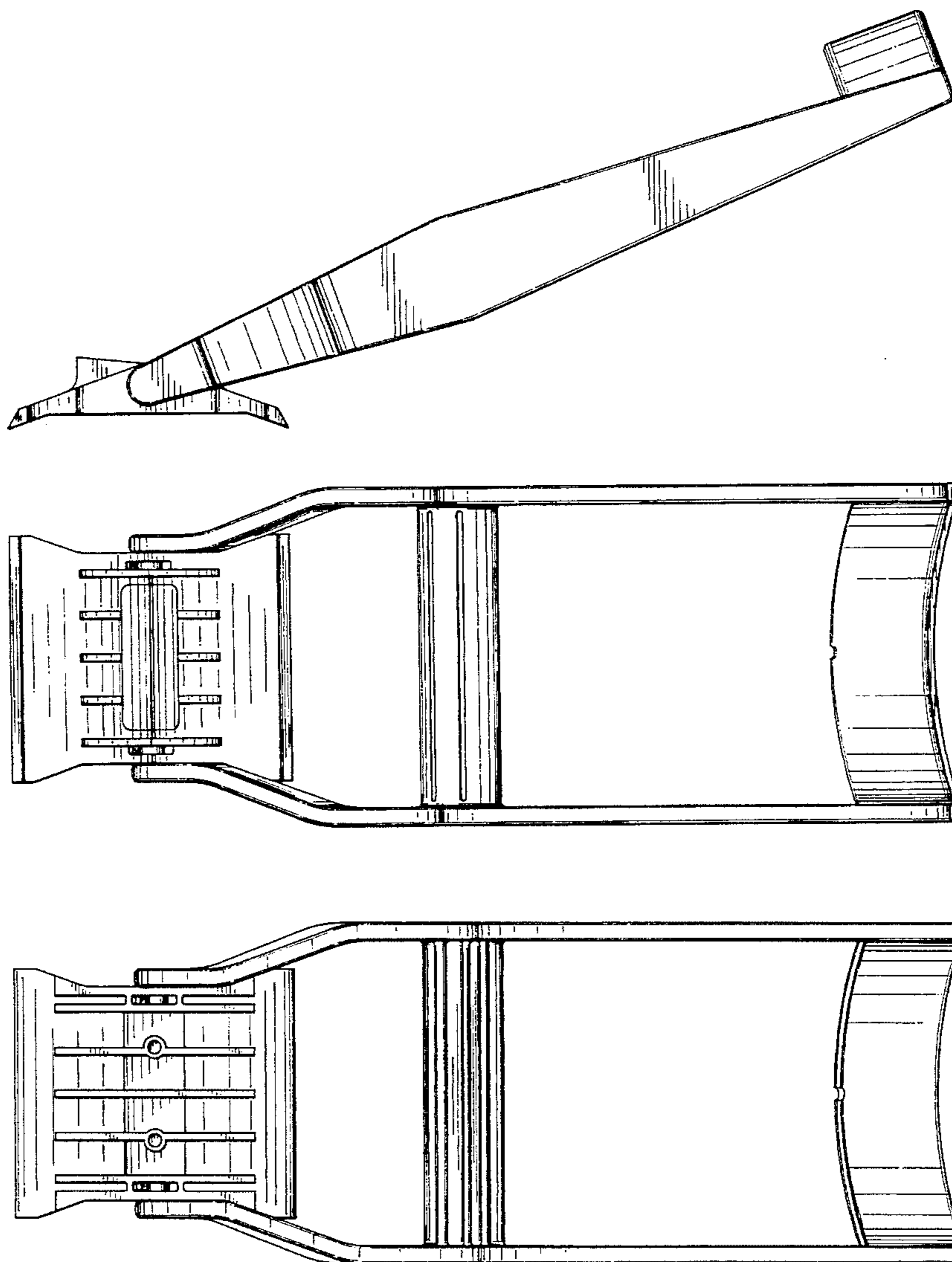
FIG. 5 is a bottom plan view thereof.

[56] References Cited

U.S. PATENT DOCUMENTS

2,084,589 6/1937 Odgers D32/48 X

1 Claim, 2 Drawing Sheets



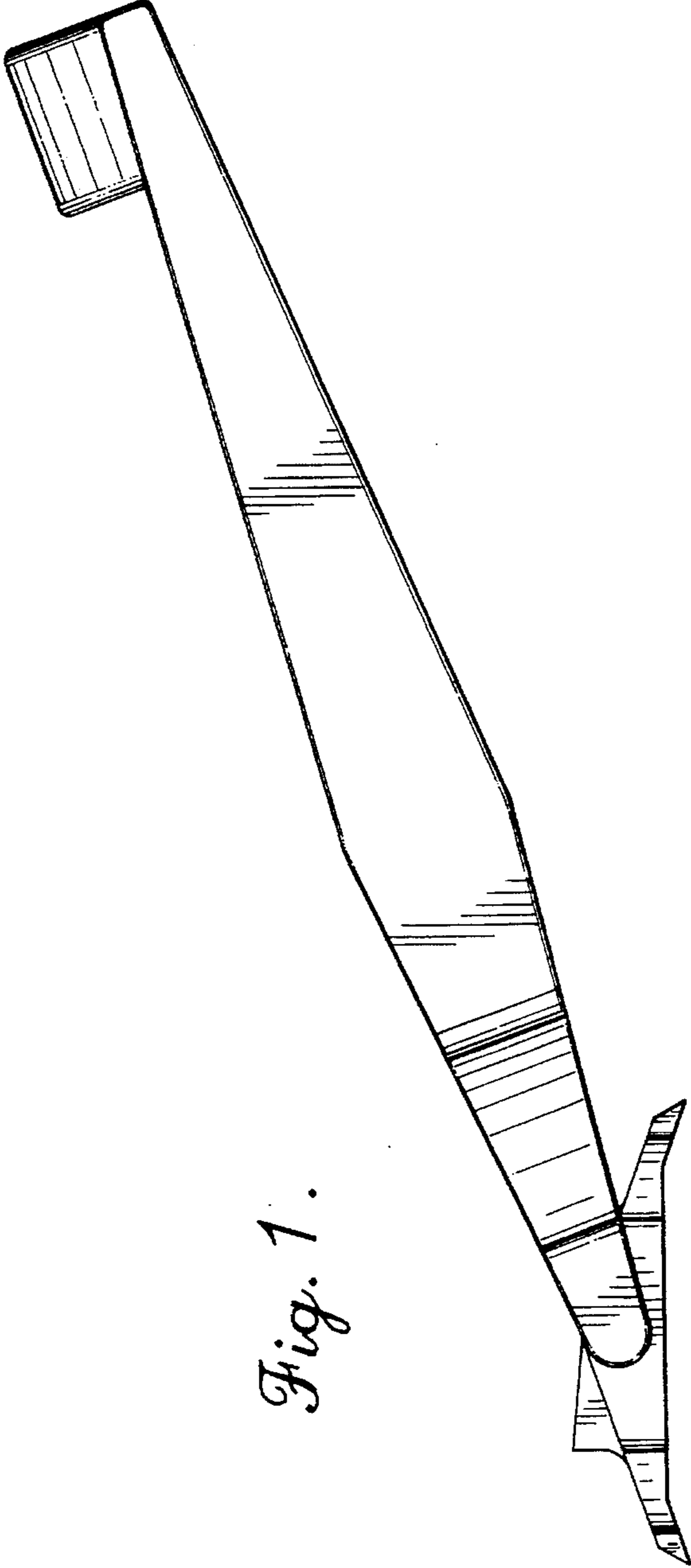


Fig. 1.

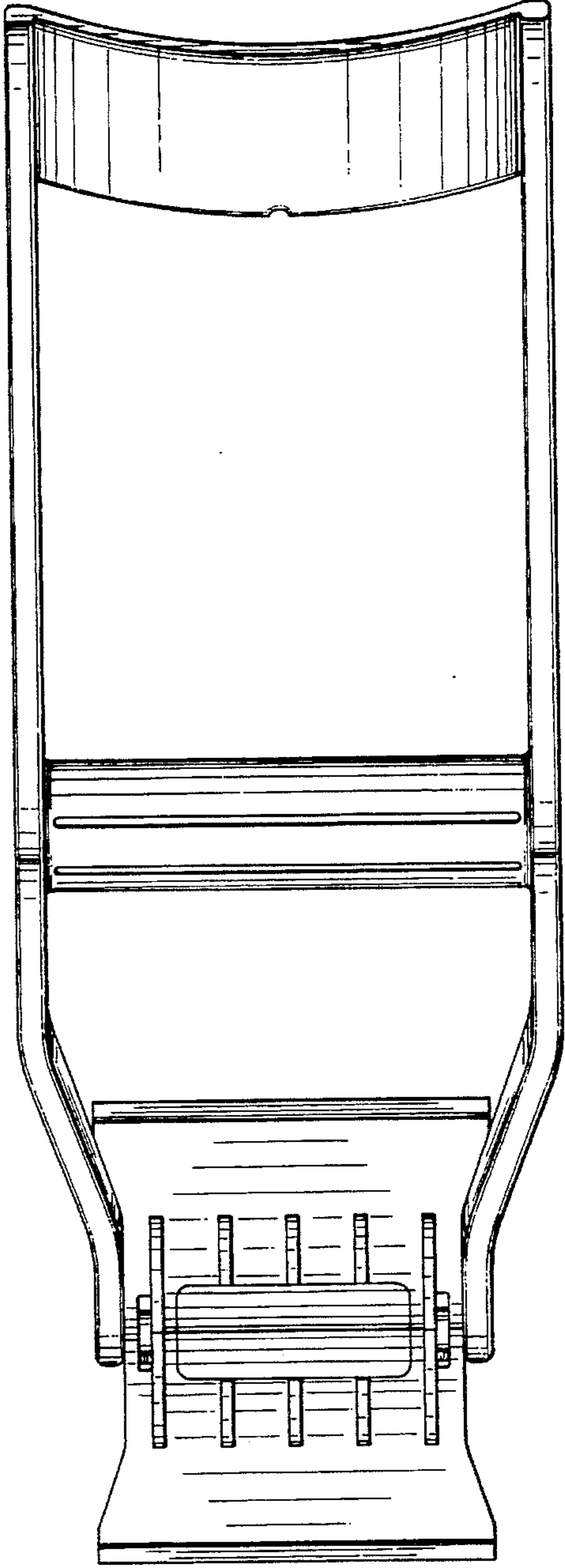


Fig. 2.

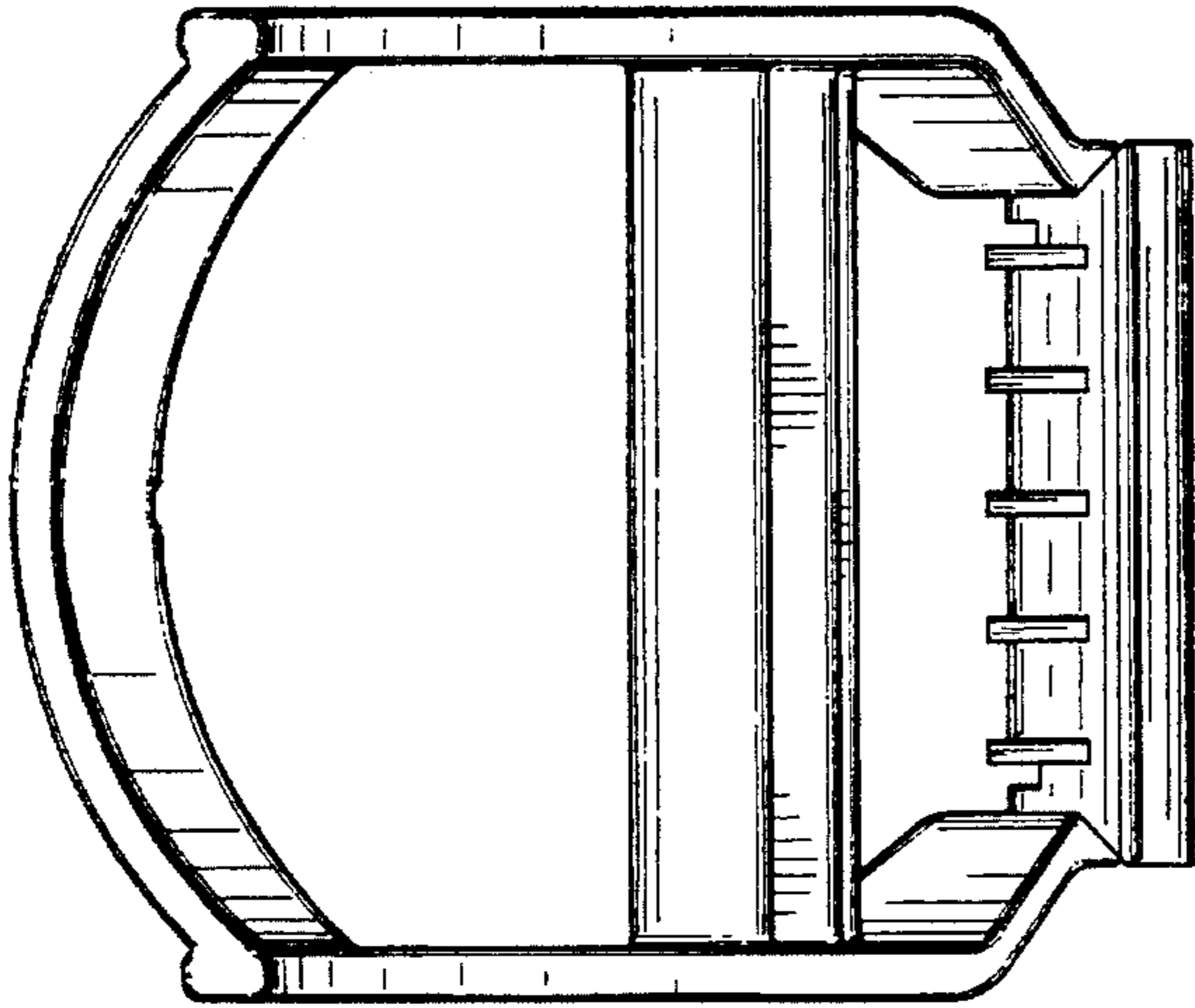


Fig. 3.

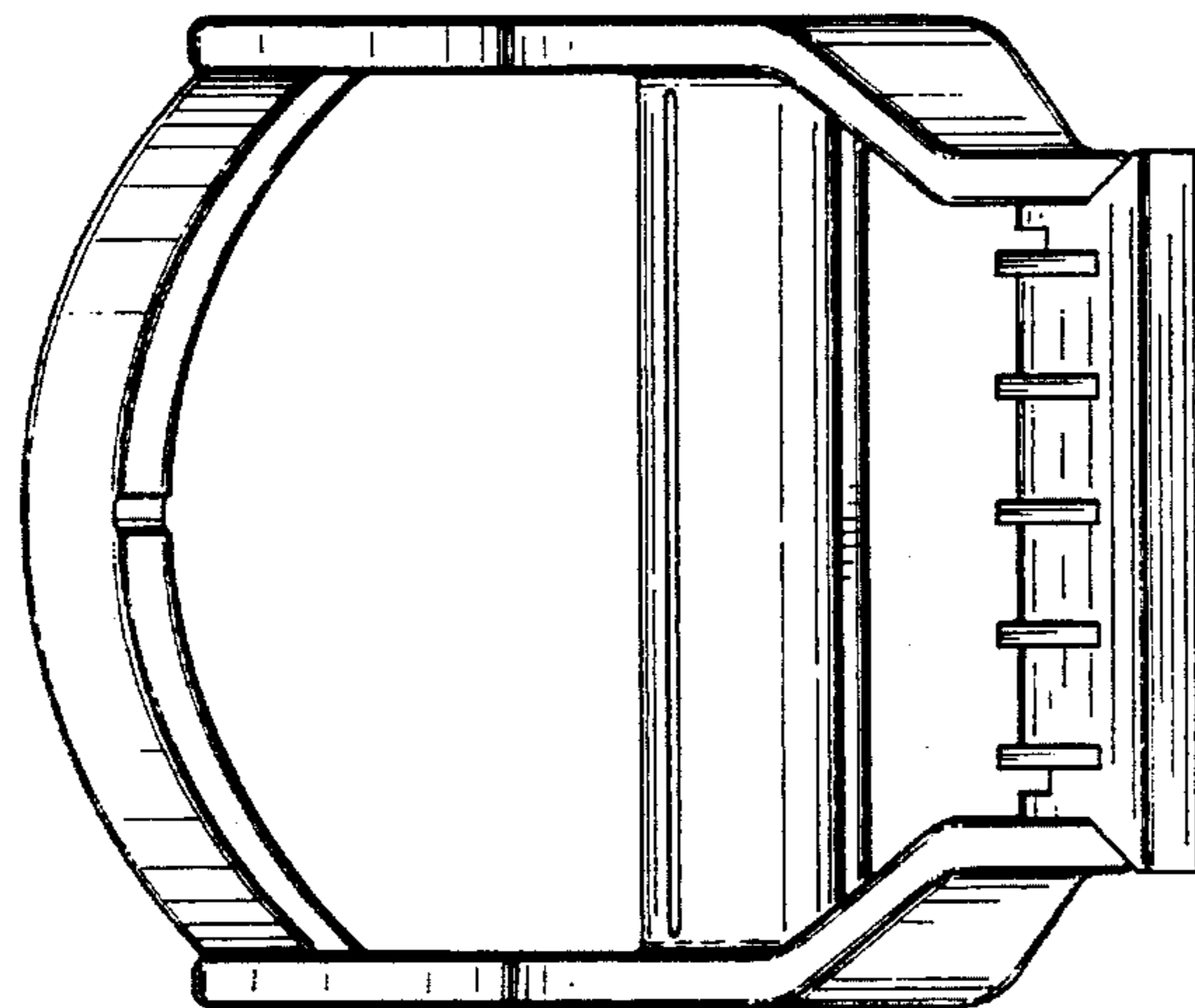


Fig. 4.

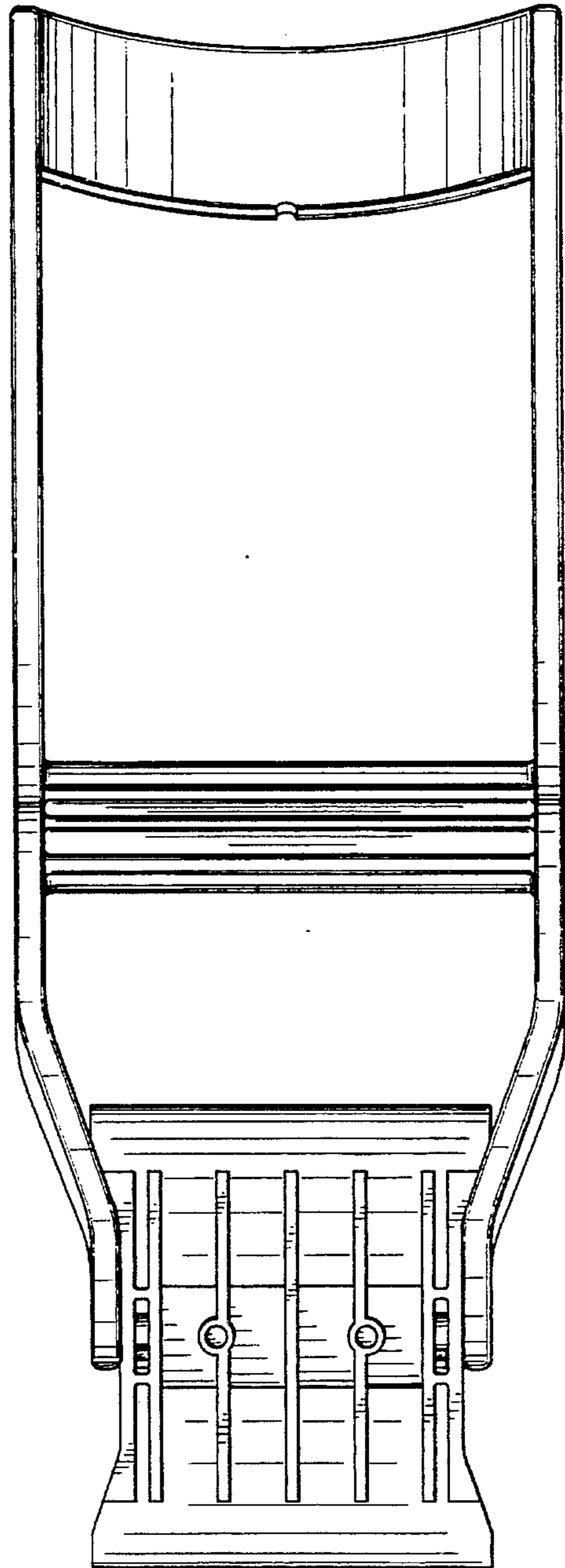


Fig. 5.