



US00D364717S

United States Patent [19]

[11] Patent Number: **Des. 364,717**

Trapp

[45] Date of Patent: ****Nov. 28, 1995**

[54] **DEVICE FOR MAINTENANCE OF A SWIMMING POOL**

4,198,720	4/1980	Matsumoto .	
4,584,733	4/1986	Tietge et al.	15/1.7
4,846,972	7/1989	Anderson .	
5,137,623	8/1992	Wall et al. .	

[76] Inventor: **Virginia M. Trapp**, 1024 Northwood Rd., Augusta, Ga. 30909

FOREIGN PATENT DOCUMENTS

[**] Term: **14 Years**

541223 7/1922 France 401/140

[21] Appl. No.: **14,139**

Primary Examiner—Susan J. Lucas

[22] Filed: **Oct. 13, 1993**

Assistant Examiner—Cynthia E. Ramirez

[52] U.S. Cl. **D32/42; D32/46; D32/49**

Attorney, Agent, or Firm—Dickinson, Wright, Moon, Van Dusen & Freeman

[58] **Field of Search** D32/49, 35, 40, D32/48; 401/136, 137, 138, 139, 140; 15/236.01, 236.04, 236.05, 236.06, 236.07, 1.7; 30/169, 171, 172; D10/81, 101

[57] CLAIM

The ornamental design for a device for maintenance of a swimming pool, as shown and described.

[56] References Cited

DESCRIPTION

U.S. PATENT DOCUMENTS

1,056,779	3/1913	Davidson	15/1.7
2,187,671	3/1938	Suddakth	401/140 X
3,080,590	3/1963	Mullinix et al. .	
3,080,590	3/1963	Mullinix et al.	15/1.7
3,146,015	8/1964	Roberge .	
3,646,492	2/1972	Westermann .	
4,105,239	8/1978	Akezinski, Sr. .	
4,152,801	5/1979	Lieber .	

FIG. 1 is a right side elevational view of a device for maintenance of a swimming pool showing my new design. The left side elevational view is a mirror image of FIG. 1; FIG. 2 is a front elevational view thereof; FIG. 3 is a rear elevational view thereof; FIG. 4 is a top plan view thereof; and, FIG. 5 is a bottom view thereof.

1 Claim, 1 Drawing Sheet

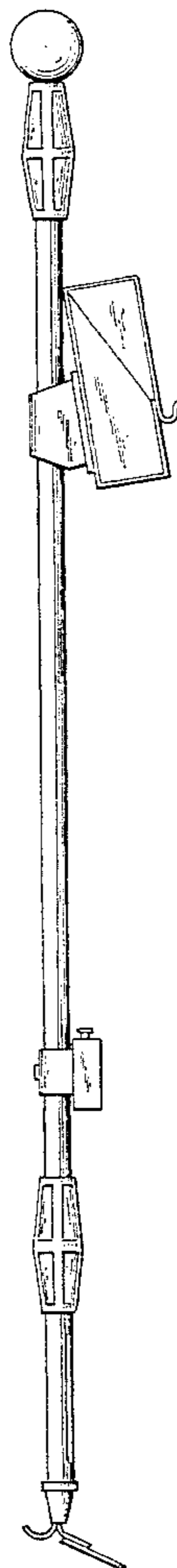


FIG. 1

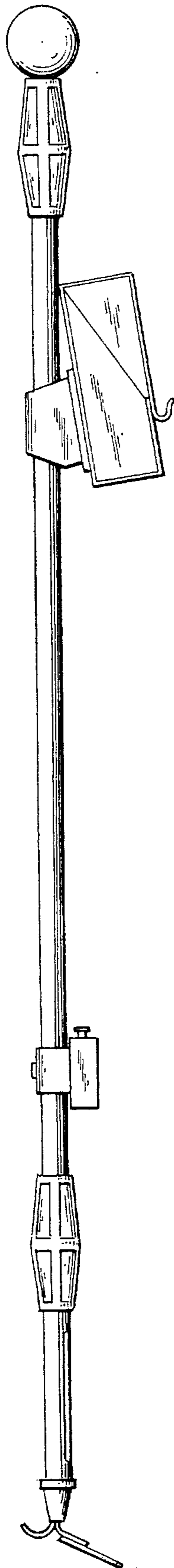


FIG. 2

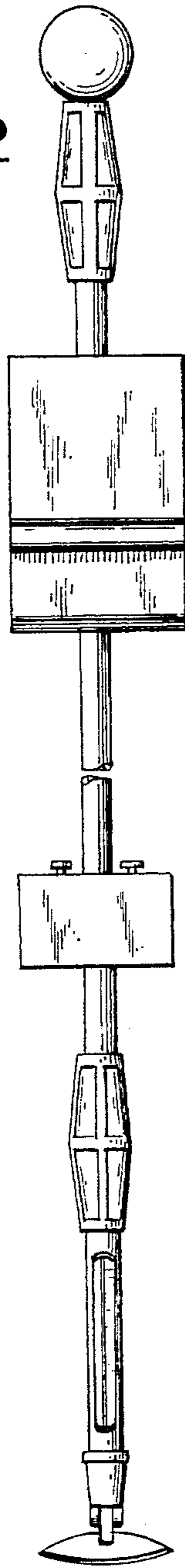


FIG. 3

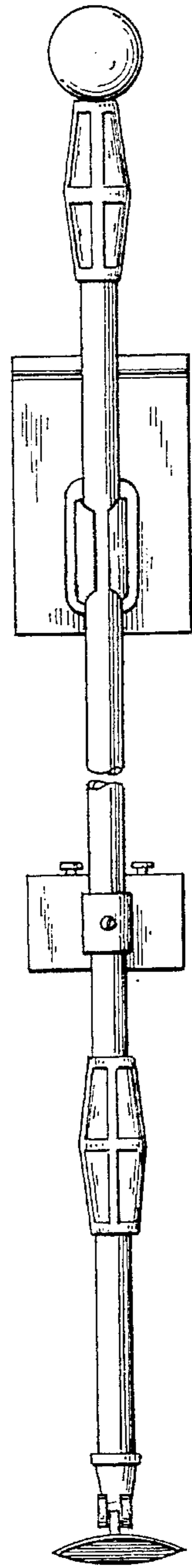


FIG. 4

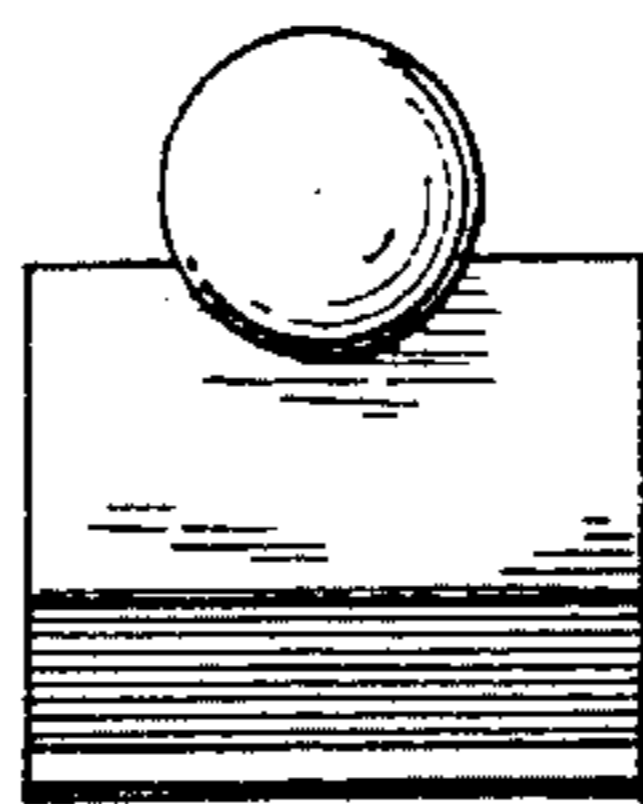


FIG. 5

