



US00D364714S

United States Patent [19]

[11] Patent Number: **Des. 364,714**

Jeffery

[45] Date of Patent: ***** Nov. 28, 1995**

[54] **CYLINDRICAL DIPSTICK CLEANER**

[75] Inventor: **Robert T. Jeffery**, San Francisco, Calif.

[73] Assignee: **LDB Automotive, Inc.**, Daly City, Calif.

[*] Notice: The portion of the term of this patent subsequent to Nov. 9, 2007, has been disclaimed.

[**] Term: **14 Years**

[21] Appl. No.: **1,117**

[22] Filed: **Nov. 4, 1992**

[52] U.S. Cl. **D32/35**

[58] Field of Search D32/35, 40, 45; 15/118, 209.1, 210.1, 220.4

[56] **References Cited**

U.S. PATENT DOCUMENTS

D. 318,156	7/1991	Banovich et al.	D32/35
D. 341,234	11/1993	Blessing	D32/45
1,839,026	12/1931	Gray et al.	15/220.4
2,254,143	8/1941	Heatwole	15/220.4
2,259,898	10/1941	Lescher	15/220.4
2,470,484	5/1949	Gall	15/220.4
2,654,109	10/1953	Barnes	15/220.4 X
2,659,922	11/1953	Klein	15/220.4
3,205,525	9/1965	Birtzer	15/220.4

4,010,512	3/1977	Addison et al.	15/220.4
4,164,054	8/1979	Hanson et al.	15/220.4
4,245,367	1/1981	Stoute	15/220.4
4,374,445	2/1983	Wilson	15/220.4
4,972,543	11/1990	Michaels	15/220.4

FOREIGN PATENT DOCUMENTS

710077	6/1954	United Kingdom	15/220.4
--------	--------	----------------------	----------

Primary Examiner—A. Hugo Word
Assistant Examiner—Lavone D. Tabor
Attorney, Agent, or Firm—Harris Zimmerman

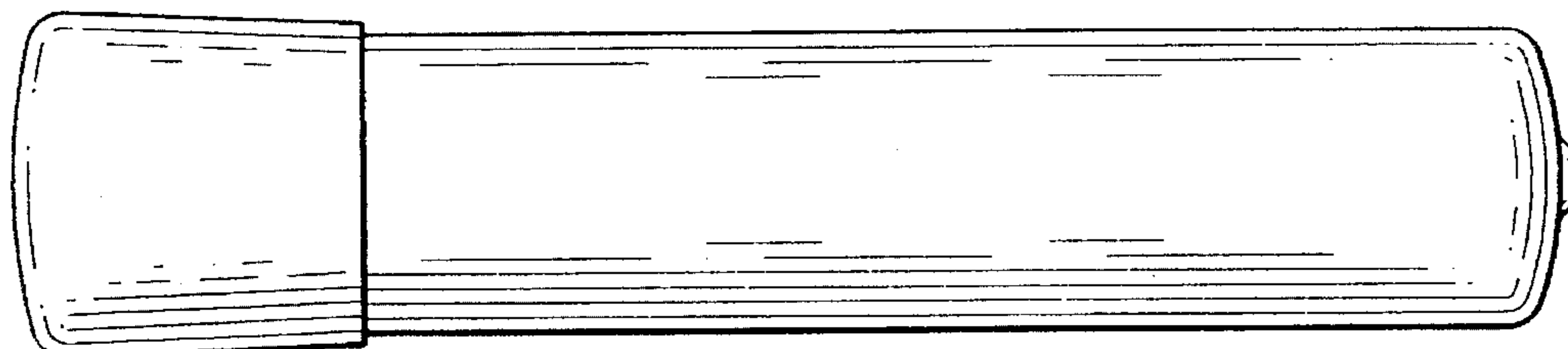
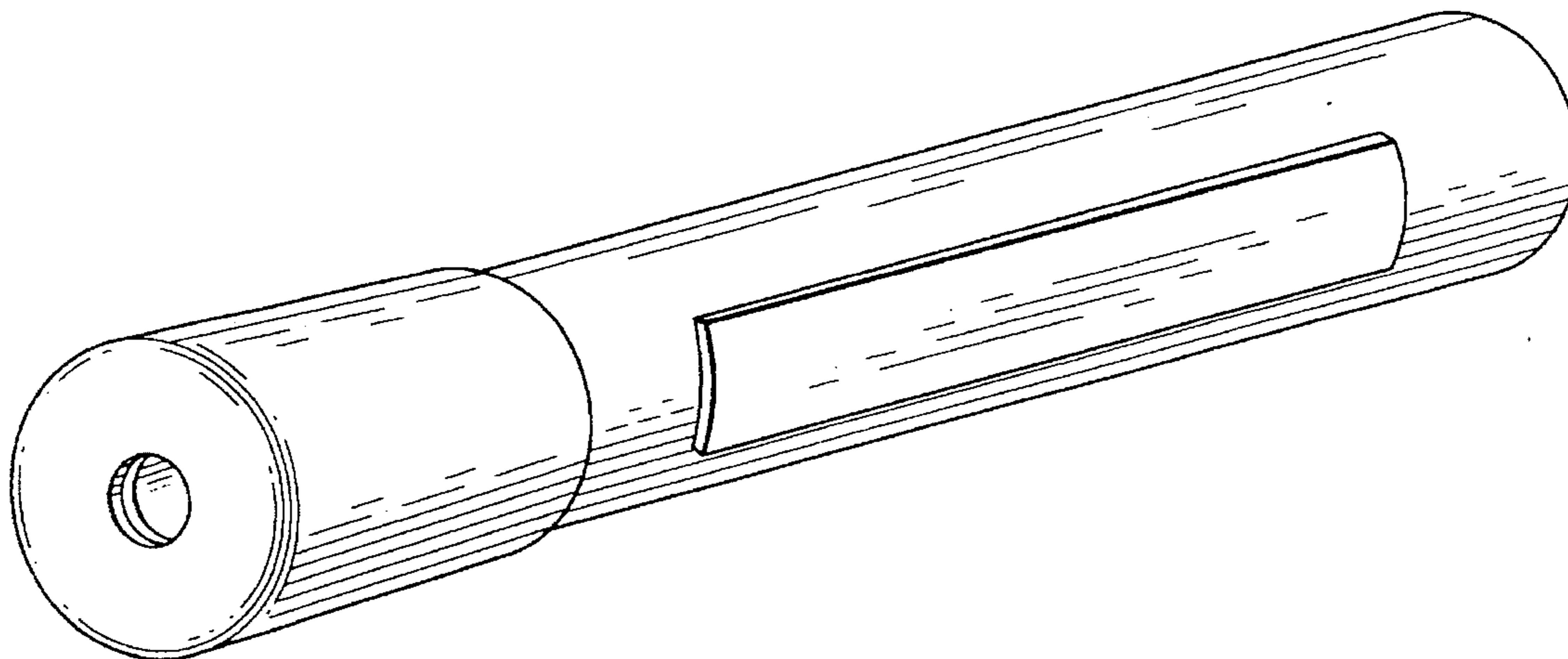
[57] **CLAIM**

The ornamental design for a cylindrical dipstick cleaner, as shown and described.

DESCRIPTION

FIG. 1 is a perspective view of a cylindrical dipstick cleaner showing my new design;
FIG. 2 is a top plan view thereof;
FIG. 3 is a side elevational view thereof;
FIG. 4 is a bottom view;
FIG. 5 is one end view;
FIG. 6 is an end view from the other end;
FIG. 7 is a cross sectional view taken on the line 7—7 of FIG. 4; and,
FIG. 8 is a cross sectional view taken on the line 8—8 of FIG. 4.

1 Claim, 1 Drawing Sheet



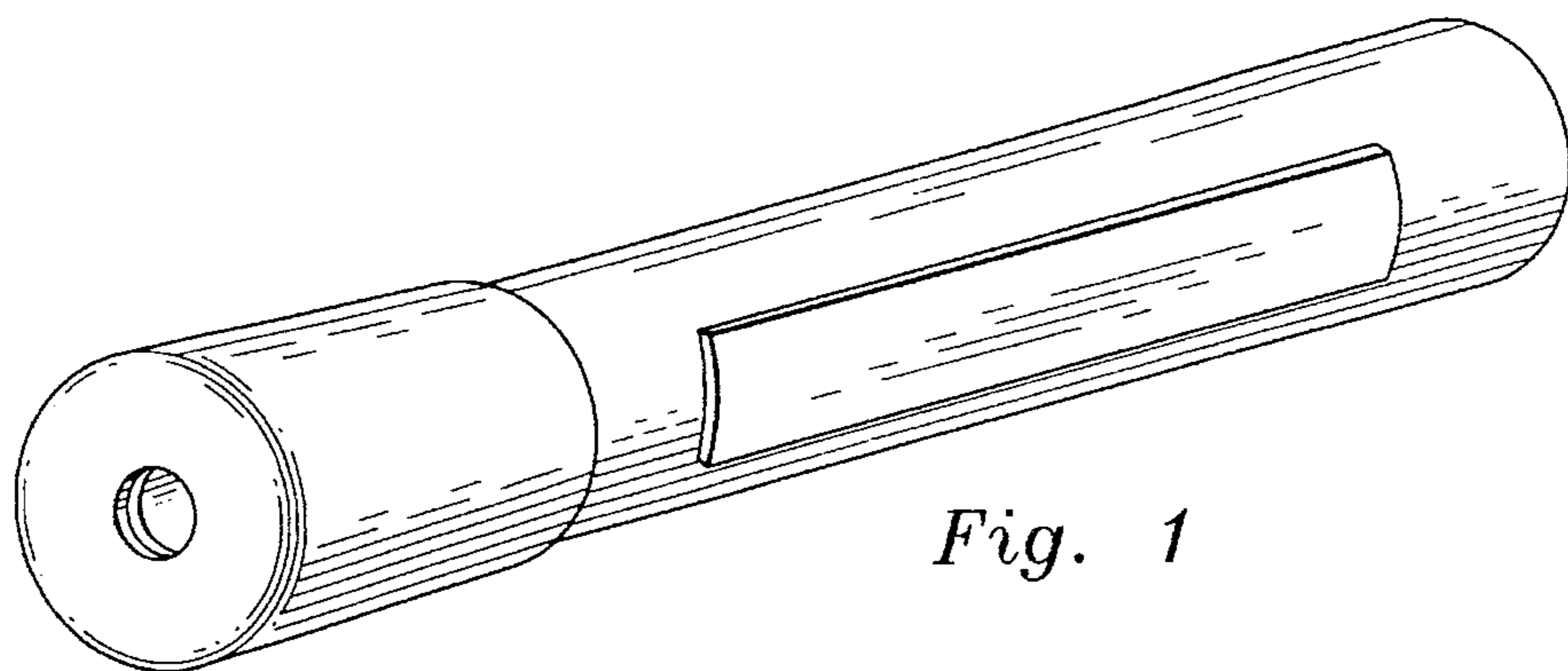


Fig. 1

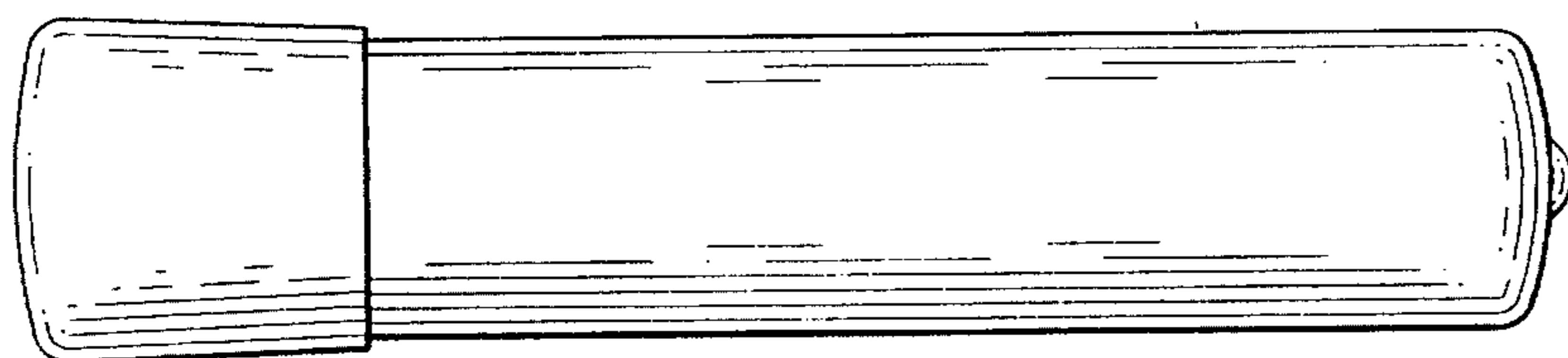


Fig. 2

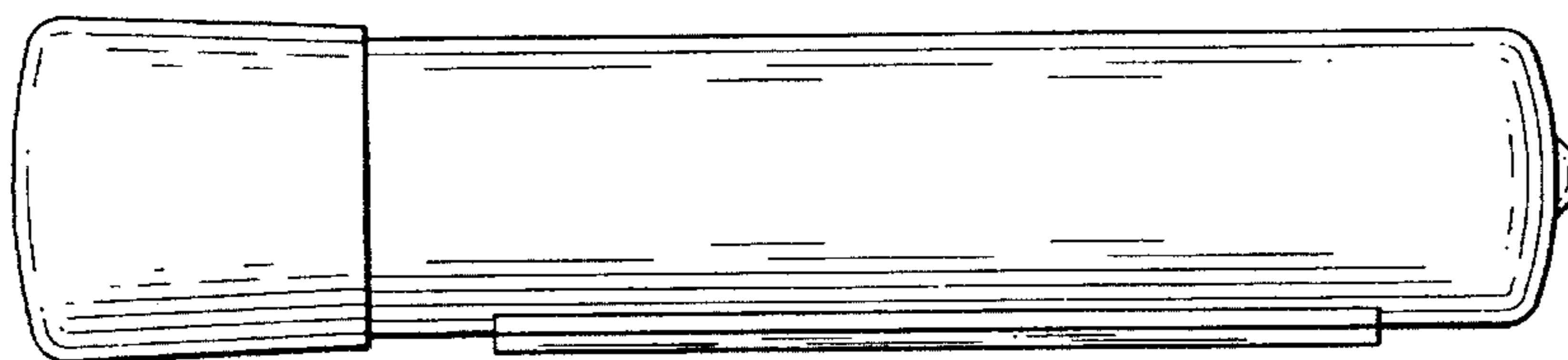


Fig. 3

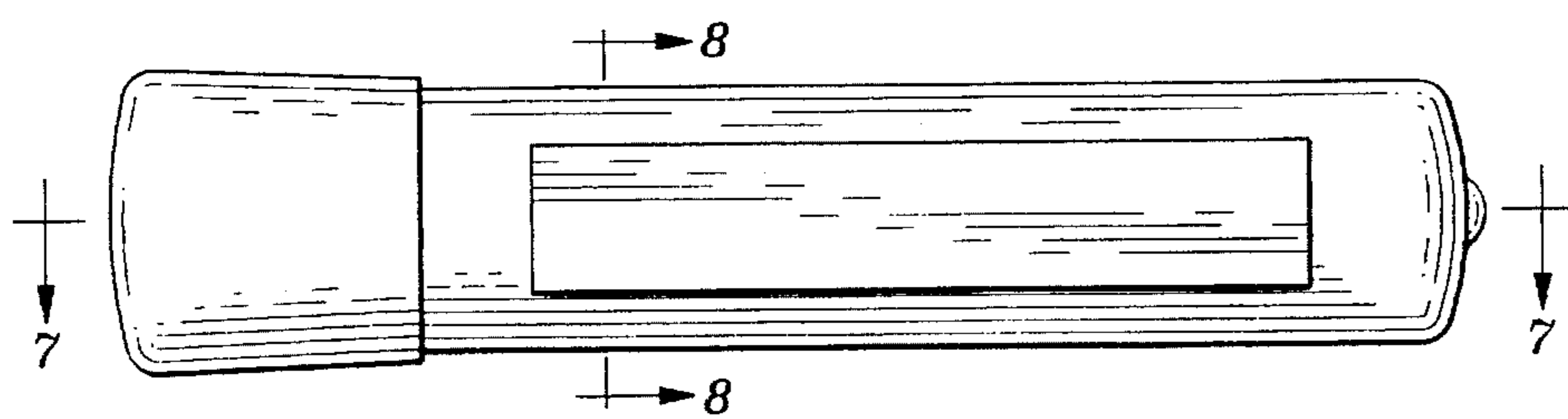


Fig. 4

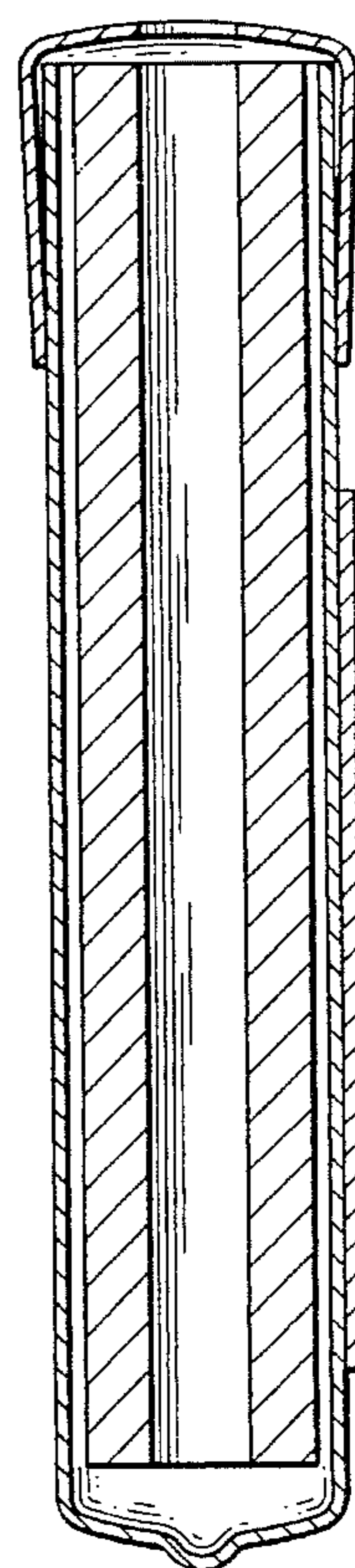


Fig. 7

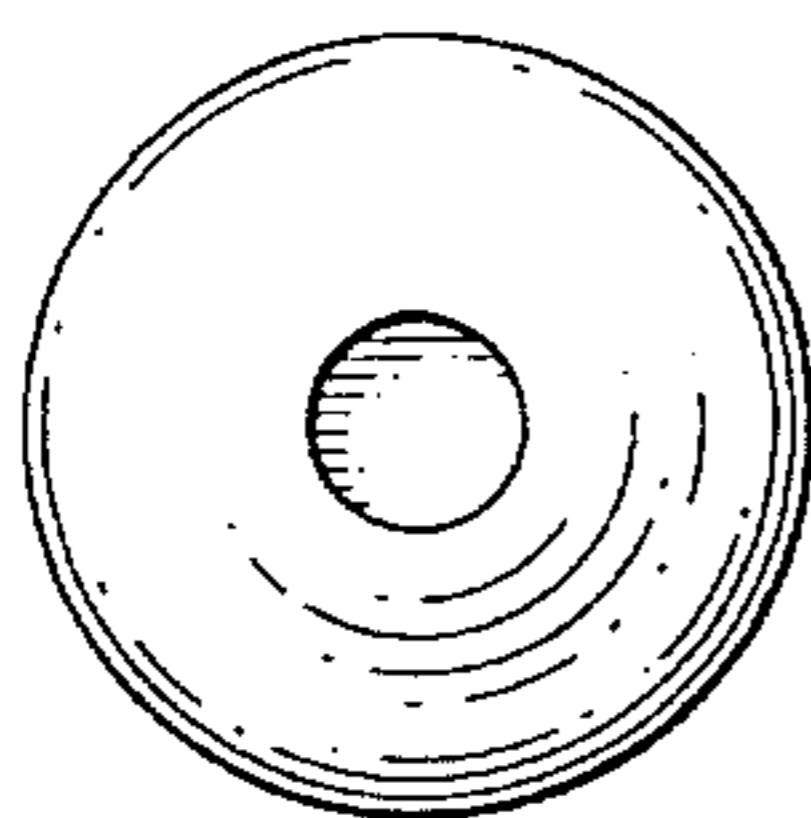


Fig. 5

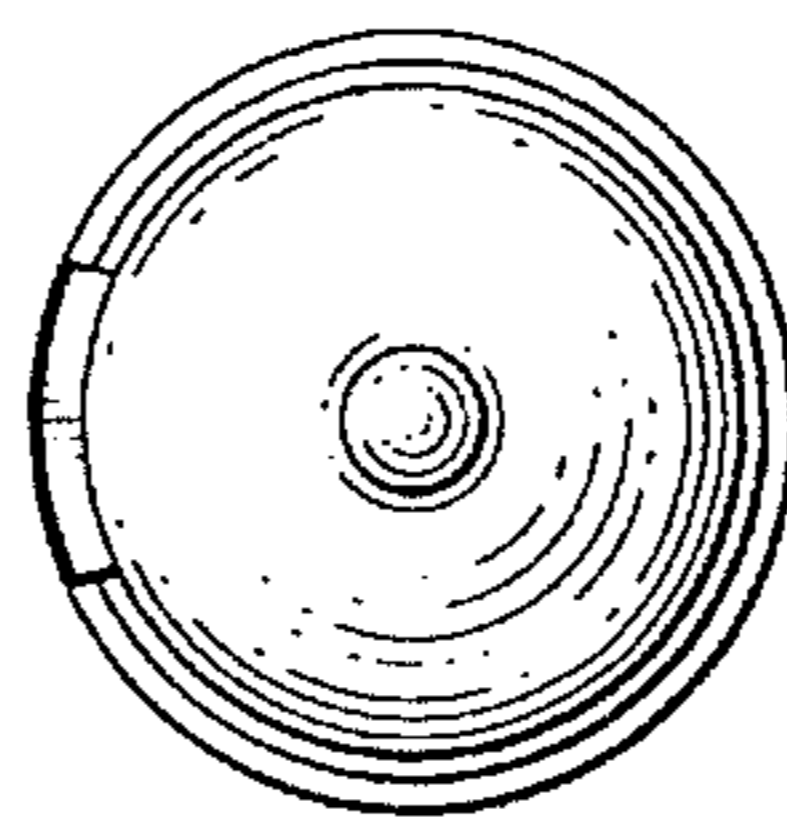


Fig. 6

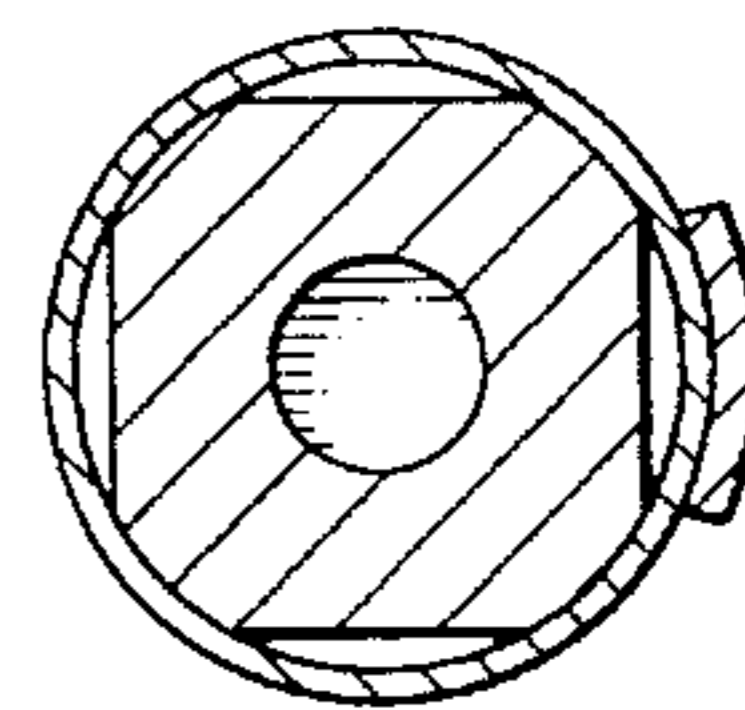


Fig. 8