



US00D364713S

United States Patent [19]

Daville

[11] Patent Number: **Des. 364,713**

[45] Date of Patent: ****Nov. 28, 1995**

[54] **DOG HARNESS FOR FEMALE DOGS IN HEAT**

[76] Inventor: **Edward Daville**, 390 Holly St., Bridge City, Tex. 77611

[**] Term: **14 Years**

[21] Appl. No.: **21,839**

[22] Filed: **Apr. 25, 1994**

[52] U.S. Cl. **D30/144**

[58] Field of Search 119/95, 850, 854, 119/856, 907; 54/79.1, 79.4; D30/144, 145, 152

References Cited

U.S. PATENT DOCUMENTS

2,141,970	12/1938	Buckingham	119/854
2,539,606	1/1951	Bailey	119/854
3,176,657	4/1965	Callaway	119/854
4,133,297	1/1979	Denebeim	119/854
4,182,331	1/1980	Rodriguez	119/95
4,577,591	3/1986	Wesseldine	119/95
5,226,386	7/1993	Thoma	119/95
5,386,802	2/1995	Hang-Fu	119/95

FOREIGN PATENT DOCUMENTS

4933358	7/1992	European Pat. Off.	119/95
2480562	10/1981	France	119/95
2506561	12/1982	France	119/95
1584825	2/1981	United Kingdom	119/854
2238454	6/1991	United Kingdom	119/95
9409619	5/1994	WIPO	119/95

Primary Examiner—Cathy Anne MacCormac
Attorney, Agent, or Firm—Terry M. Gernstein

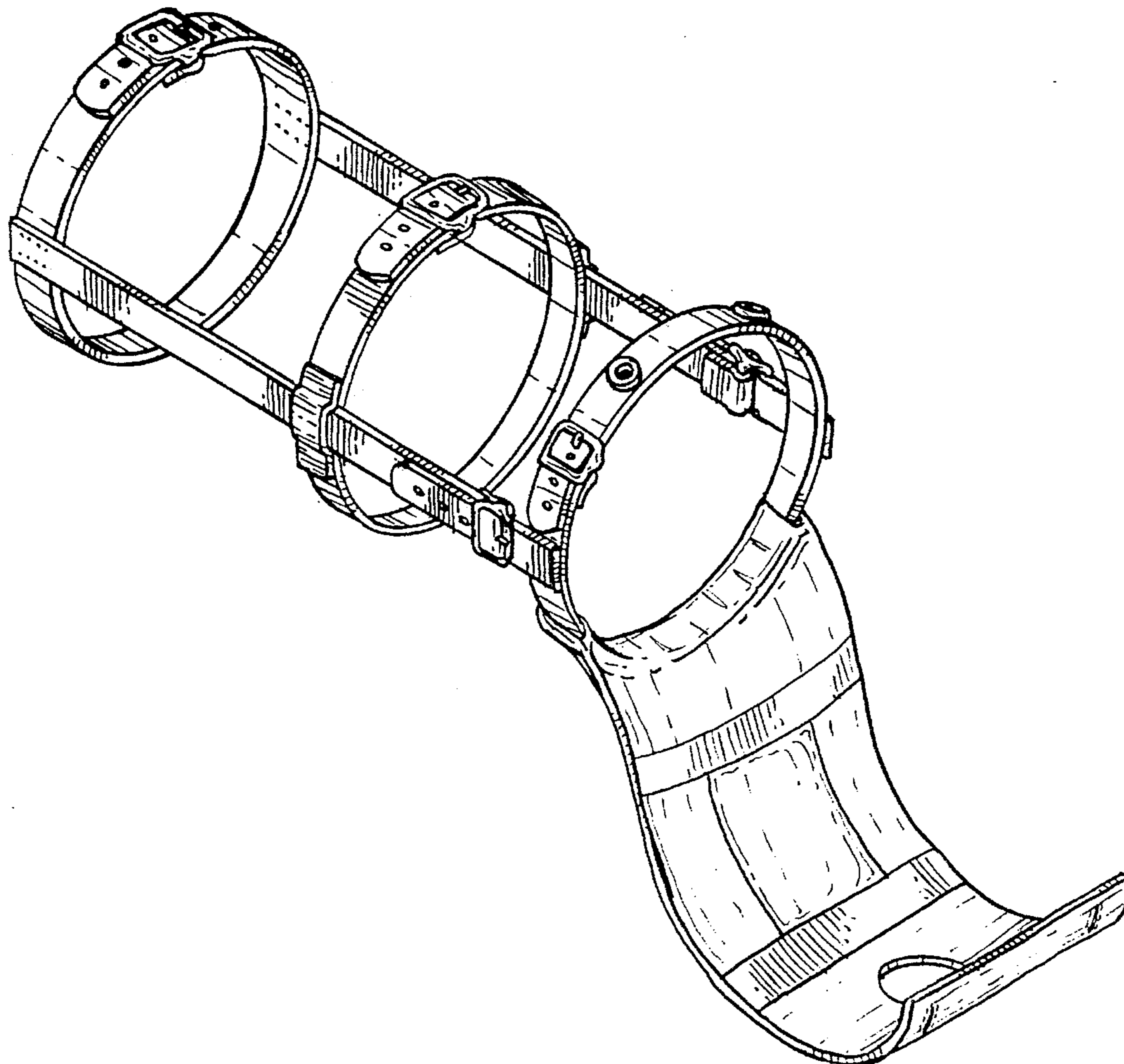
[57] CLAIM

The ornamental design for a dog harness for female dogs in heat, as shown and described.

DESCRIPTION

FIG. 1 is a front, top and side perspective view of the dog harness for female dogs in heat showing my new design; FIG. 2 is a front elevational view thereof; FIG. 3 is a rear elevational view thereof; FIG. 4 is a side elevational view thereof; FIG. 5 is a side elevational view thereof; FIG. 6 is a top plan view thereof; and, FIG. 7 is a bottom plan view thereof.

1 Claim, 3 Drawing Sheets



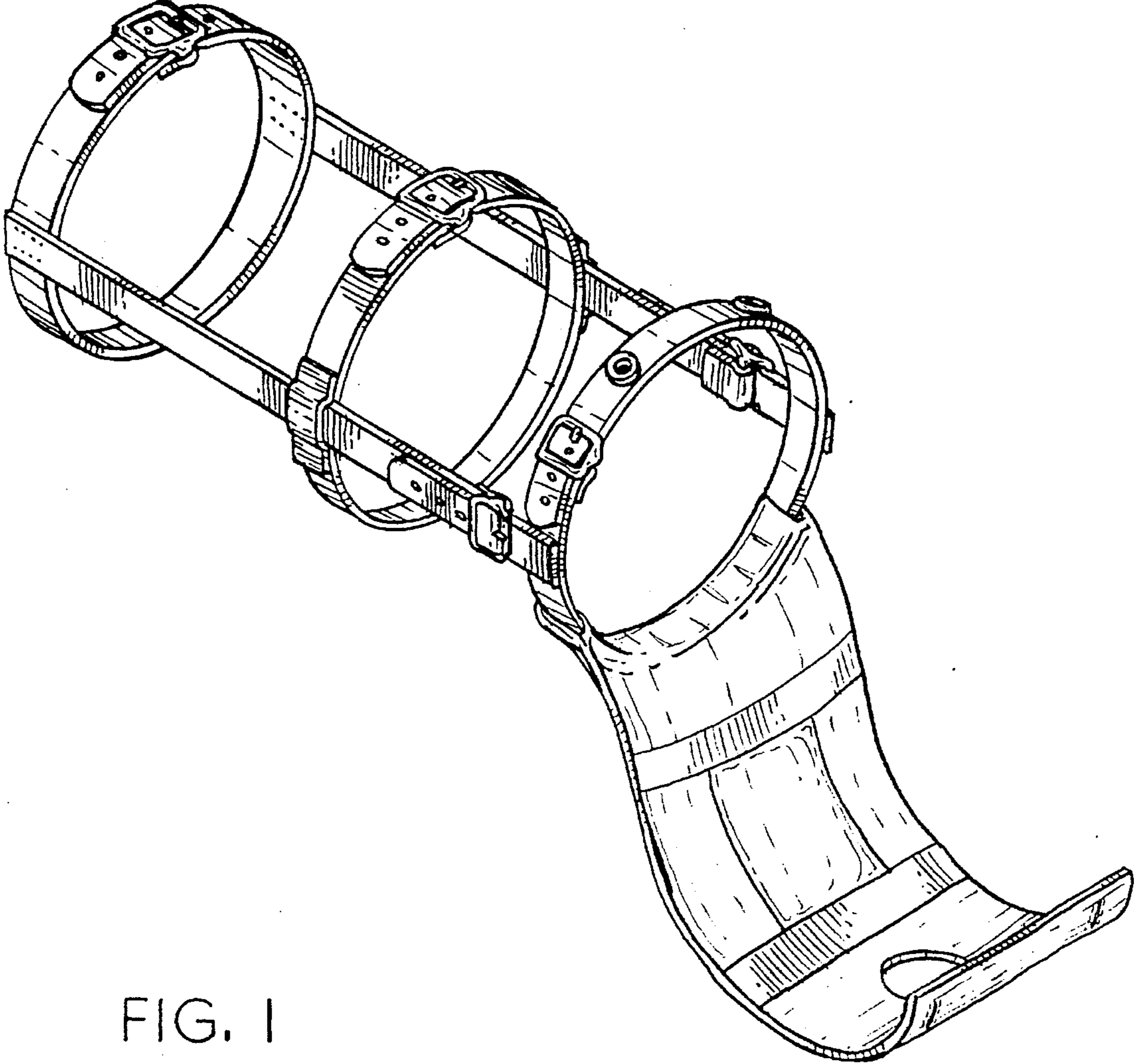


FIG. 1

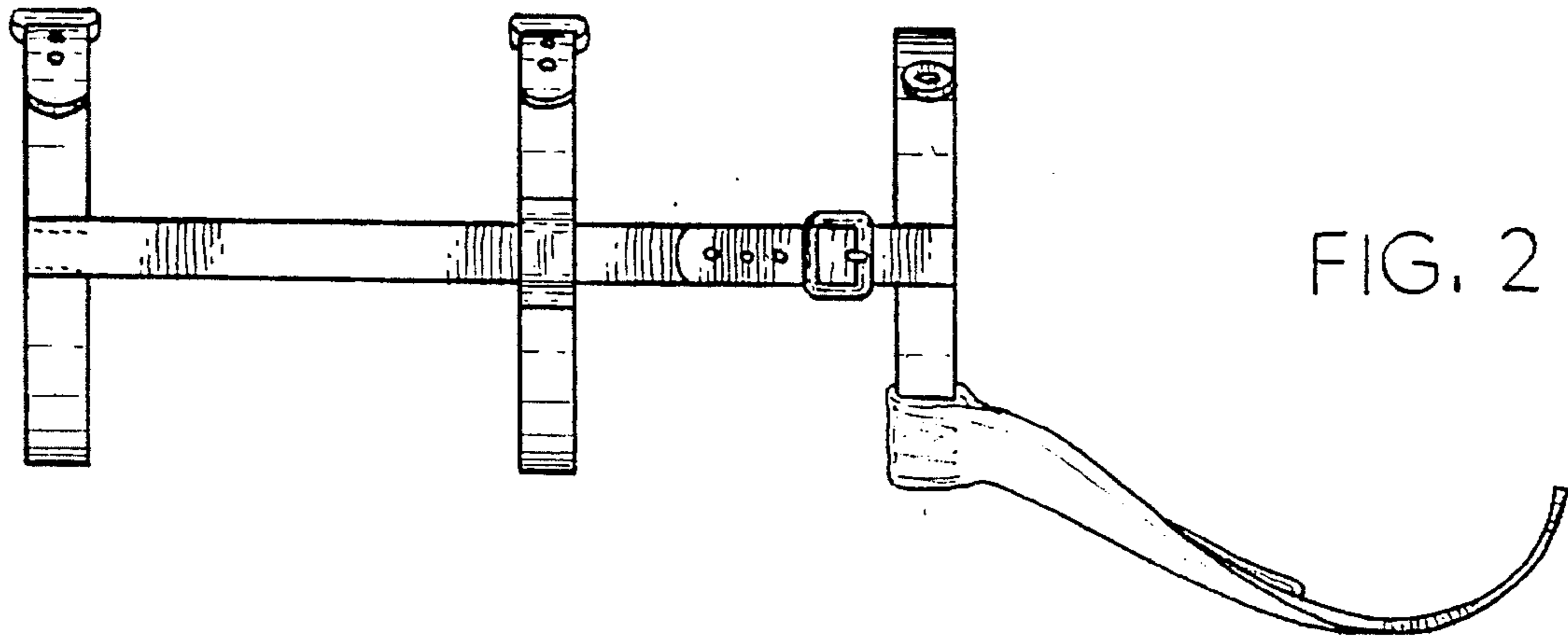


FIG. 2

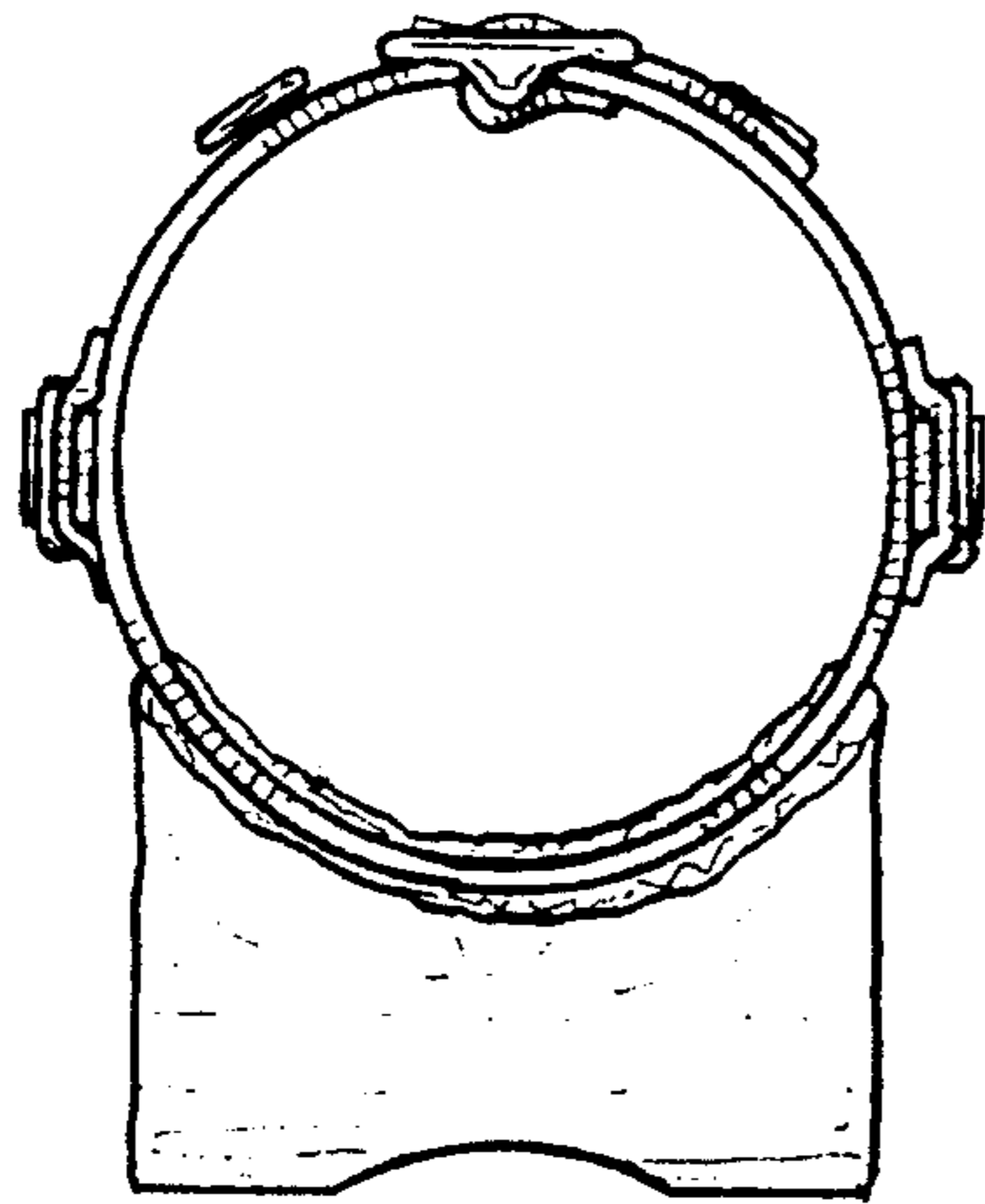


FIG. 4

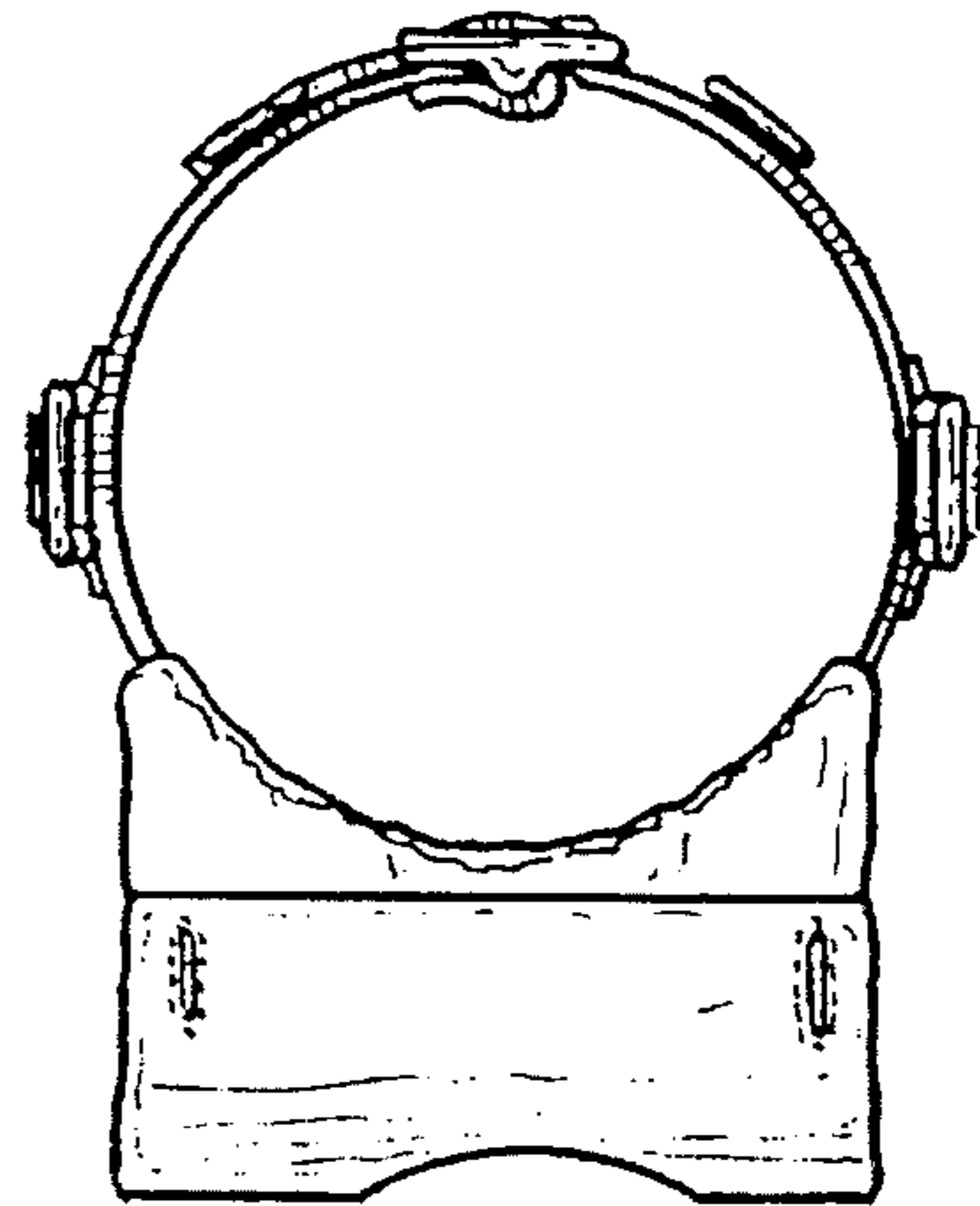


FIG. 5

FIG. 3

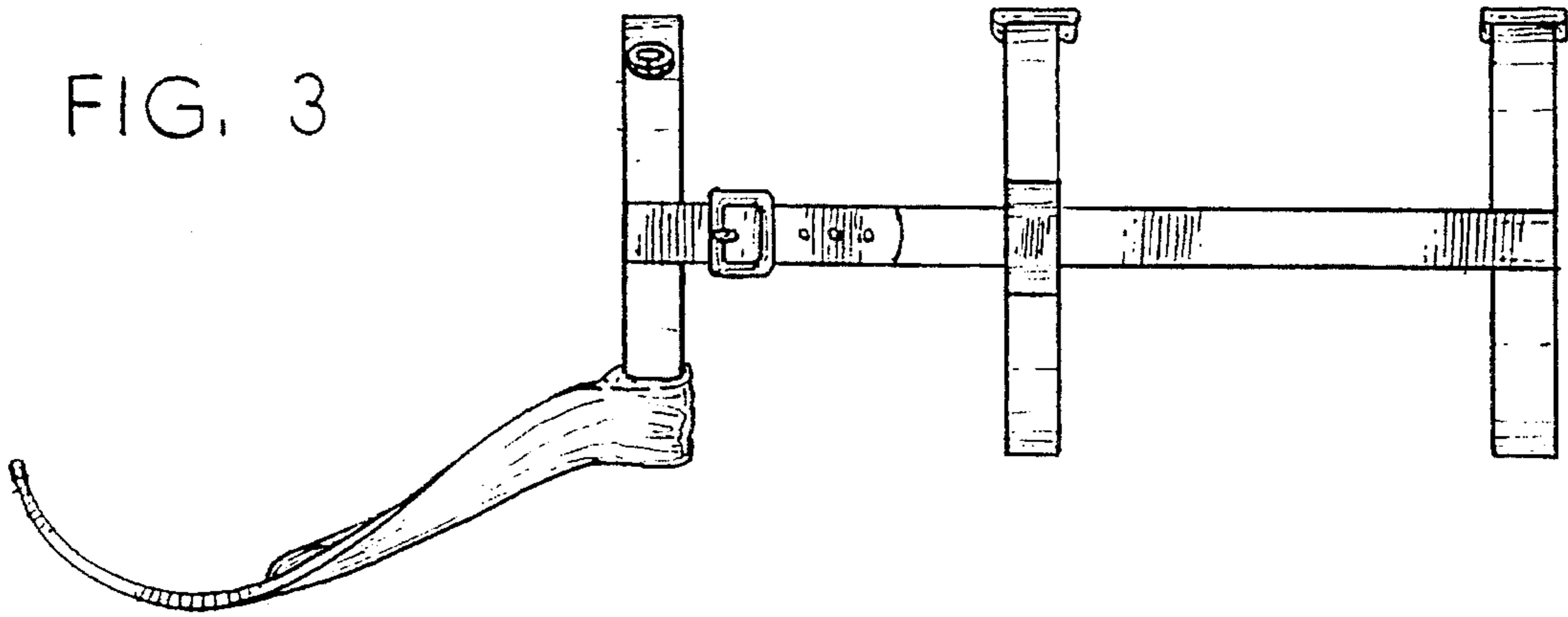


FIG. 6

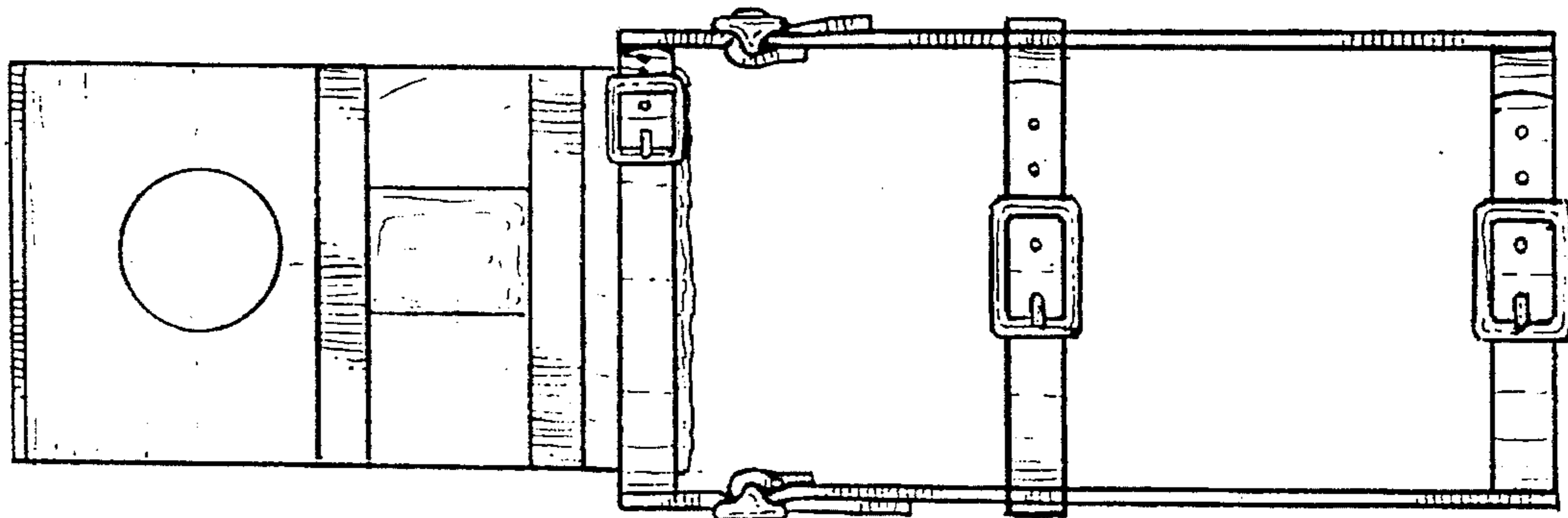


FIG. 7

