



US00D364711S

United States Patent [19]
Fleming

[11] **Patent Number: Des. 364,711**
[45] **Date of Patent: **Nov. 28, 1995**

[54] **FIRE FIGHTING SPRAYING UNIT AND SHIELD**

FOREIGN PATENT DOCUMENTS

2098959 12/1982 United Kingdom 169/69

[76] Inventor: **Eugene Fleming**, 1505 N. Myrtlewood St., Philadelphia, Pa. 19121

Primary Examiner—Kay H. Chin
Attorney, Agent, or Firm—Terry M. Gernstein

[**] Term: **14 Years**

[57] **CLAIM**

[21] Appl. No.: **10,916**

The ornamental design for a fire fighting spraying unit and shield, as shown and described.

[22] Filed: **Jul. 22, 1993**

[52] U.S. Cl. **D29/125**; 169/52

DESCRIPTION

[58] **Field of Search** D29/1-5; 169/52, 169/24, 25, 54, 66, 67, 69; 239/373, 587.4

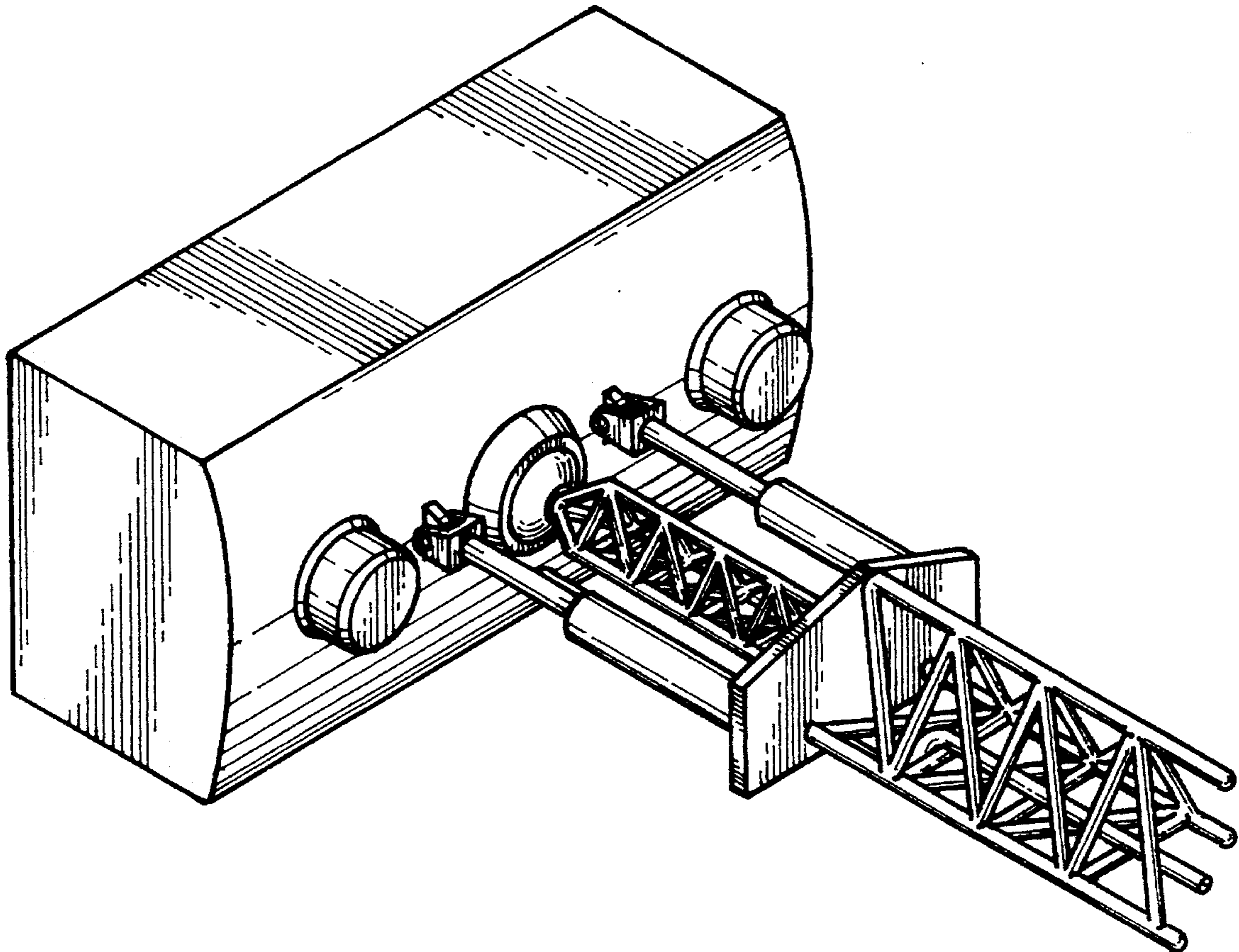
FIG. 1 is a rear, top and side perspective view of the fire fighting spraying unit and shield showing my new design; FIG. 2 is a front elevational view thereof; FIG. 3 is a rear elevational view thereof; FIG. 4 is a side elevational view thereof, the side opposite being a mirror image of the side shown in FIG. 4; FIG. 5 is a top plan view thereof; and, FIG. 6 is a bottom plan view thereof.

[56] **References Cited**

U.S. PATENT DOCUMENTS

D. 296,248	6/1988	Cullen	D29/2
D. 315,970	4/1991	Ramos et al.	D29/2
5,180,018	1/1993	Taylor	169/69
5,275,244	1/1994	Da Silva	169/69
5,299,646	4/1994	Courtney	169/69

1 Claim, 4 Drawing Sheets



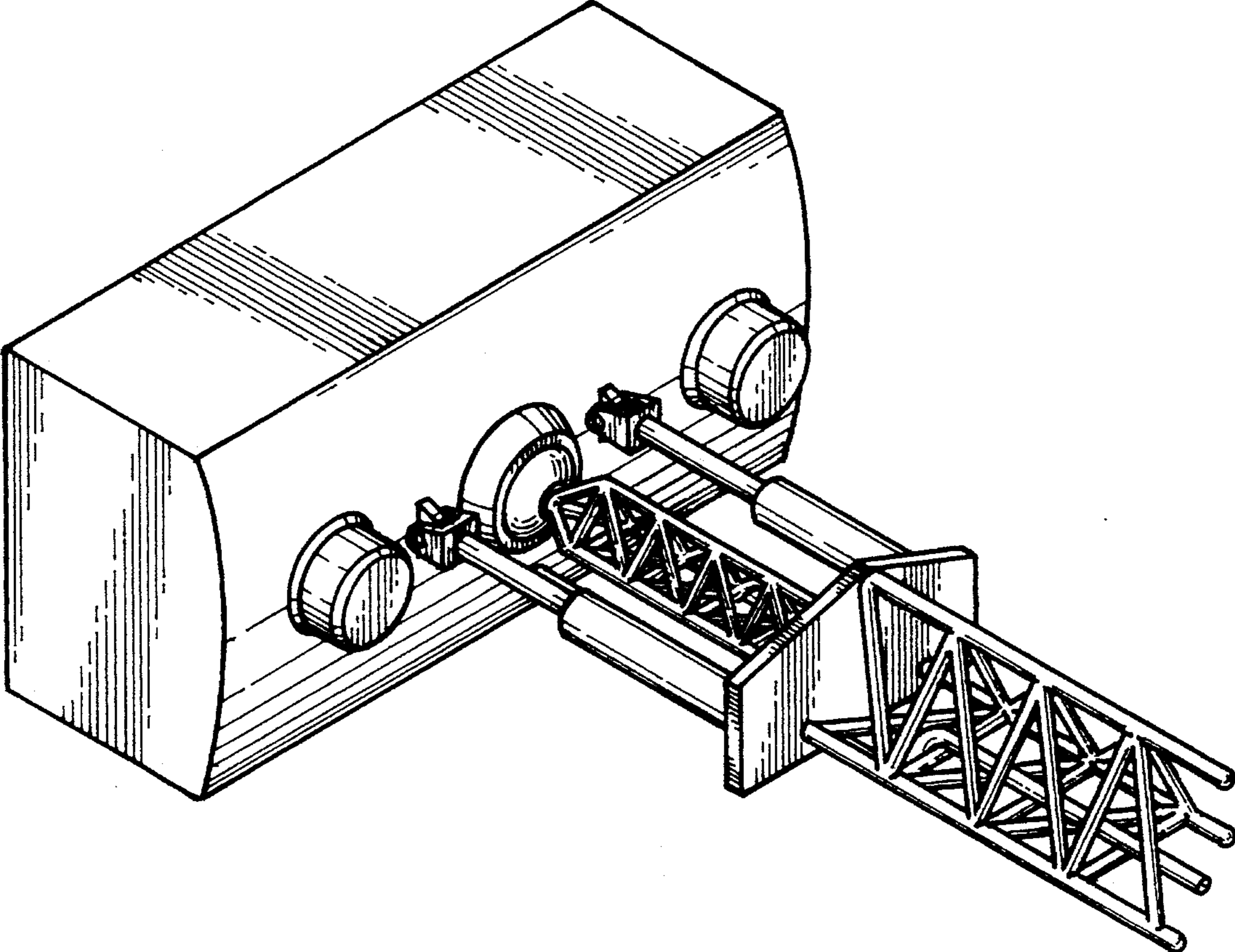


FIG. 1

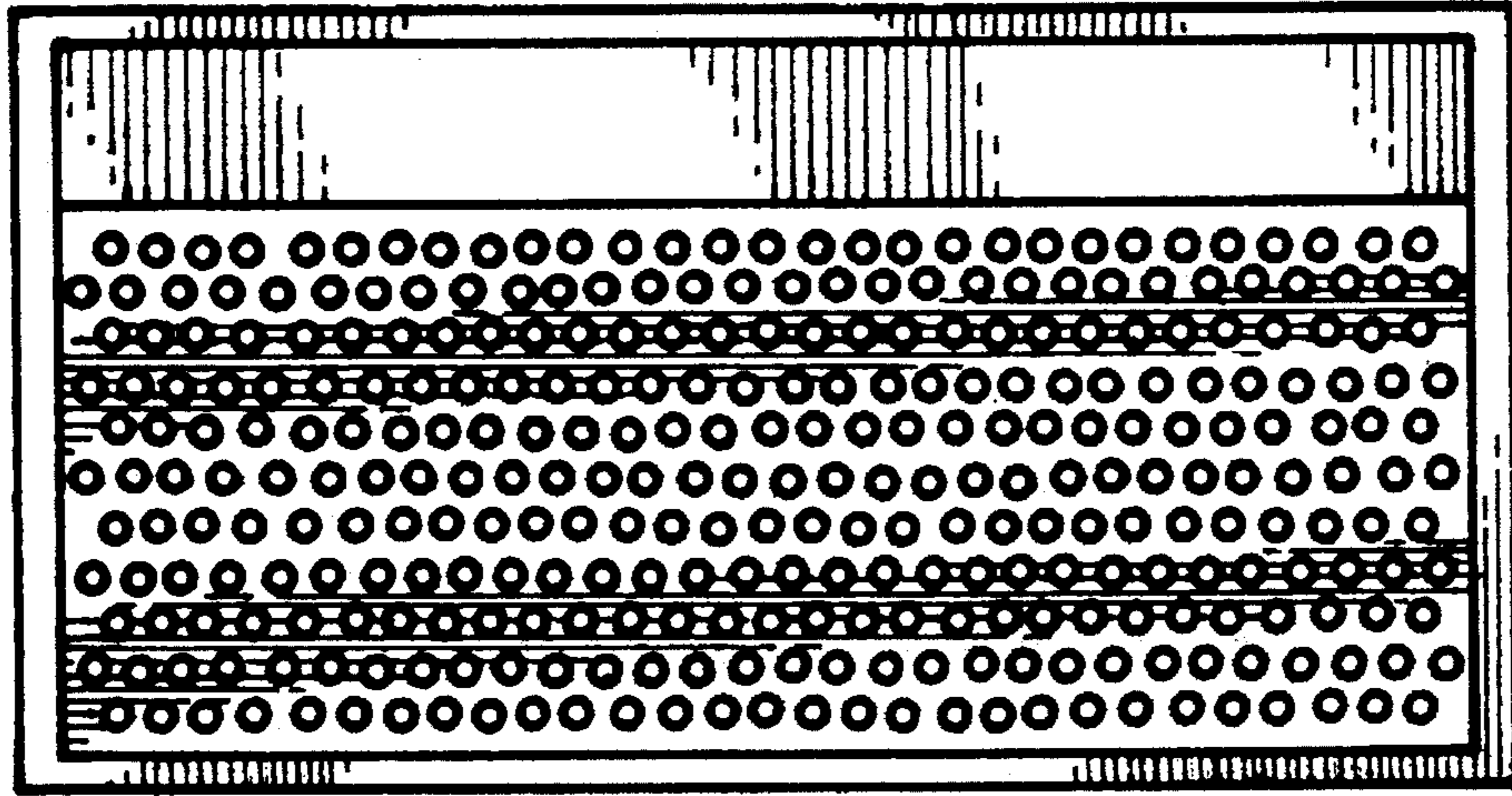


FIG. 2

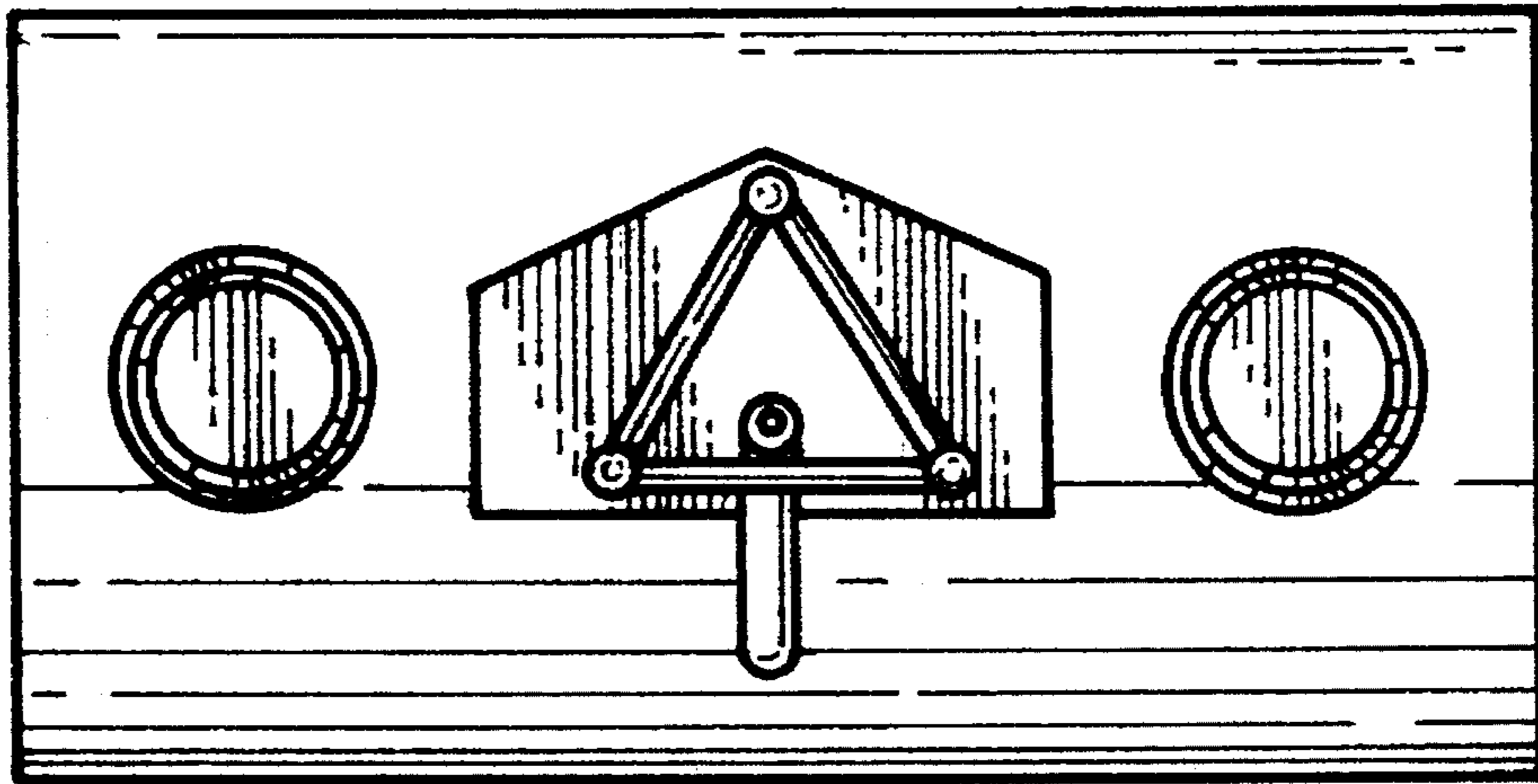


FIG. 3

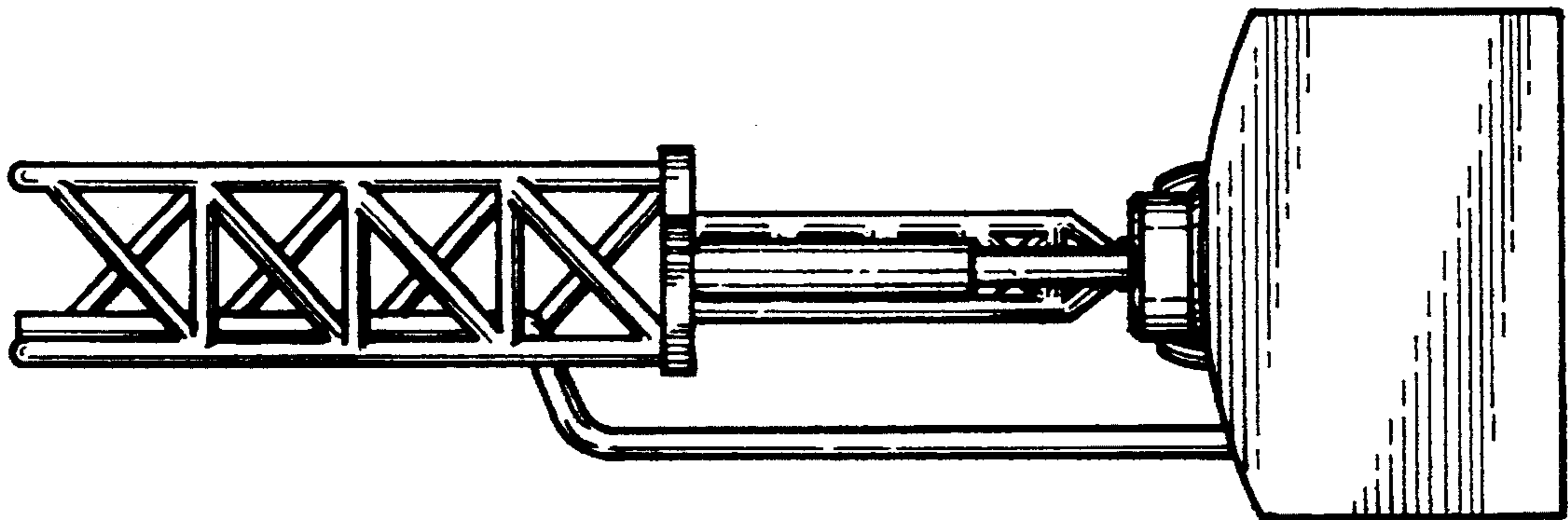


FIG. 4

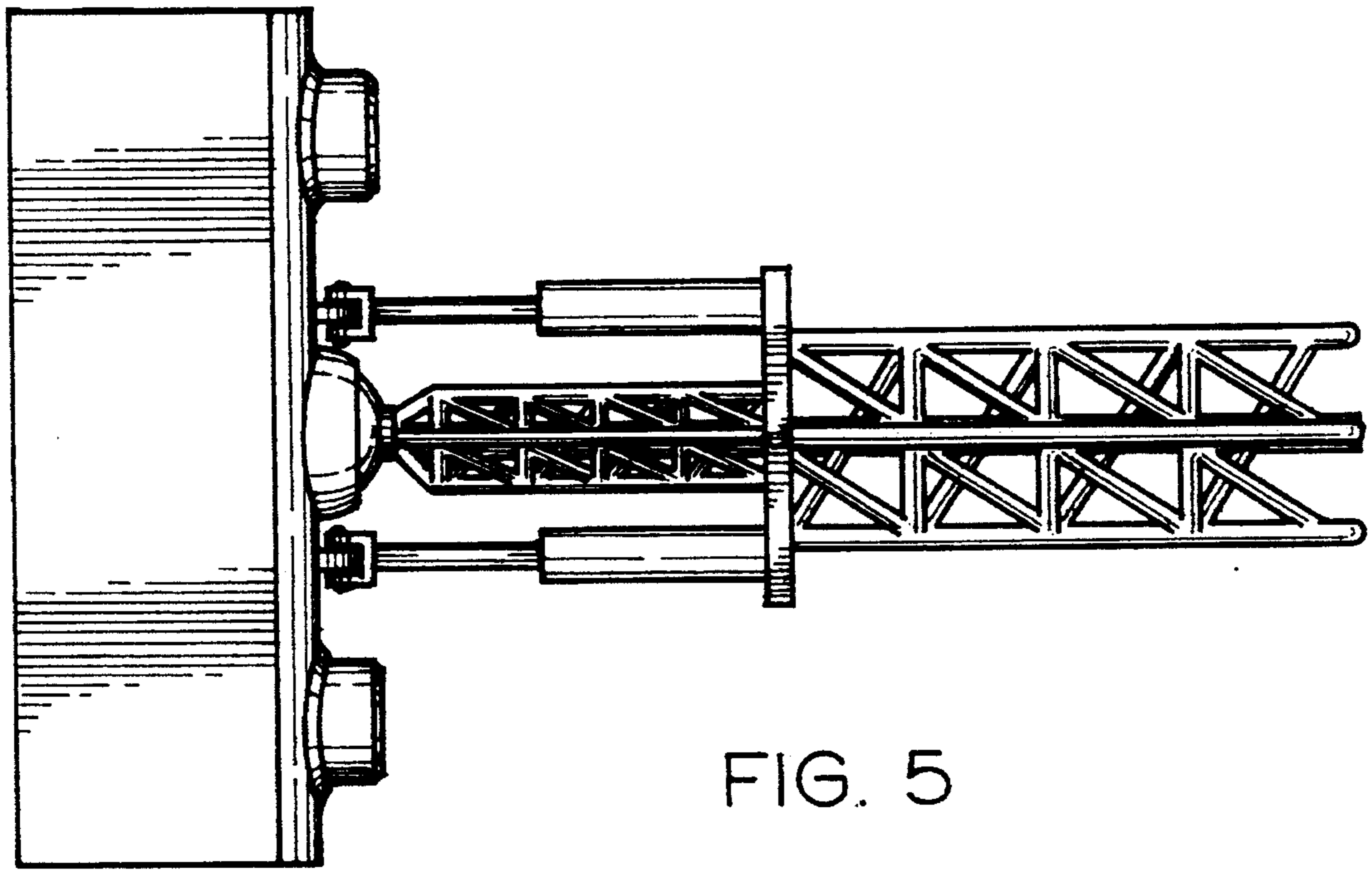


FIG. 5

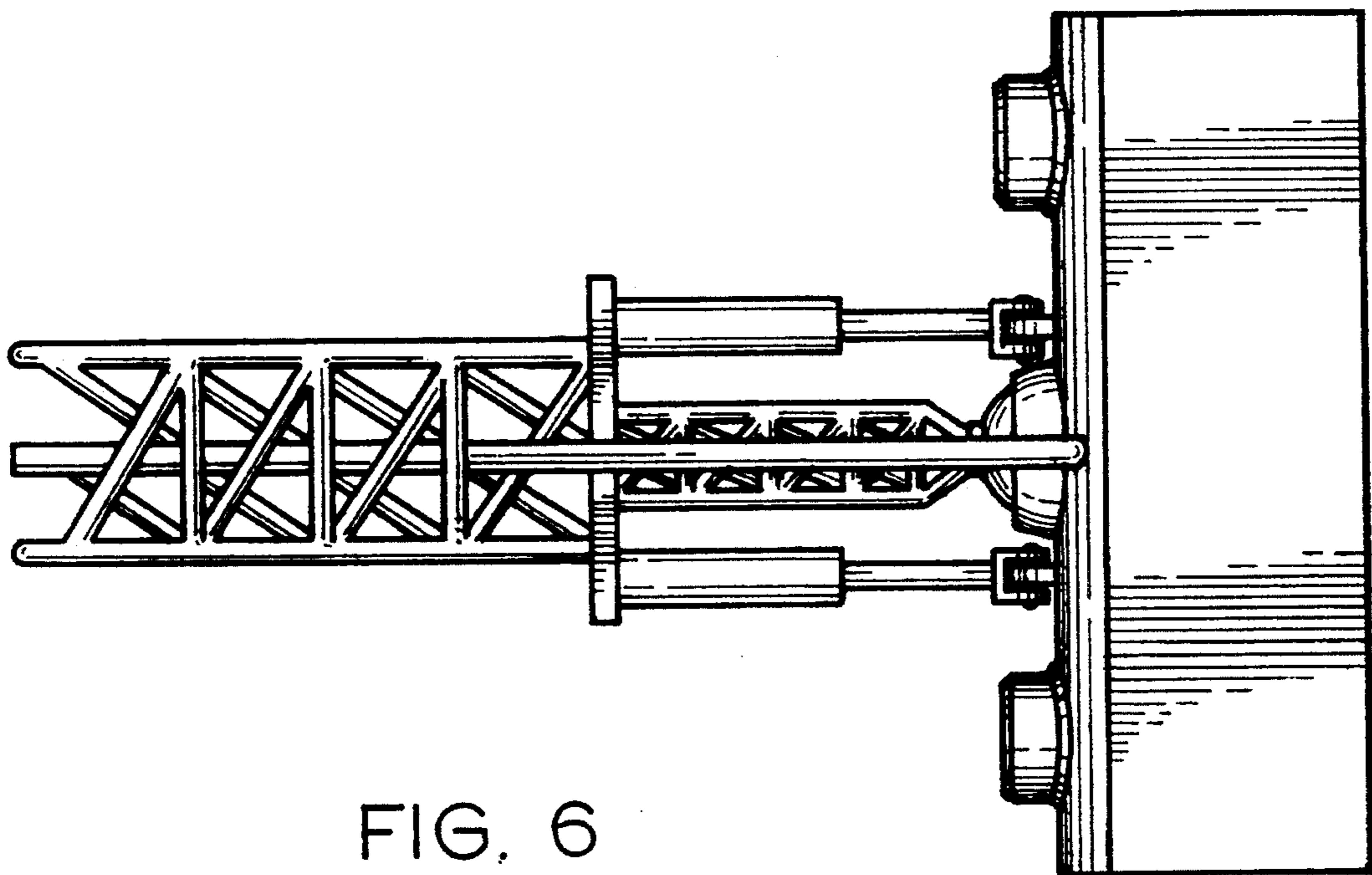


FIG. 6