



US00D364693S

United States Patent [19]

[11] Patent Number: **Des. 364,693**

Peery

[45] Date of Patent: ****Nov. 28, 1995**

[54] **BUILDING TOOL FOR AN IGLOO**

5,211,506 5/1993 Manion 52/DIG. 1

[76] Inventor: **William L. Peery**, P.O. Box 312,
Jonesville, Vt. 05466

Primary Examiner—Doris Clark

[**] Term: **14 Years**

[57] **CLAIM**

The ornamental design for a building tool for an igloo, as shown and described.

[21] Appl. No.: **25,035**

DESCRIPTION

[22] Filed: **Jun. 27, 1994**

[52] U.S. Cl. **D25/199; D8/14**

FIG. 1 is a front elevational view of the building tool for an igloo showing my new design;

[58] Field of Search **D25/199, 128;**

D8/14, 71; D34/31; D21/59; 52/DIG. 1;
248/544

FIG. 2 is a rear elevational view thereof;

FIG. 3 is a left side elevational view thereof;

FIG. 4 is a right side elevational view thereof;

FIG. 5 is a top plan view thereof; and,

FIG. 6 is a bottom plan view thereof.

[56] **References Cited**

U.S. PATENT DOCUMENTS

D. 300,901 5/1989 Lapelusa D8/14

1 Claim, 3 Drawing Sheets

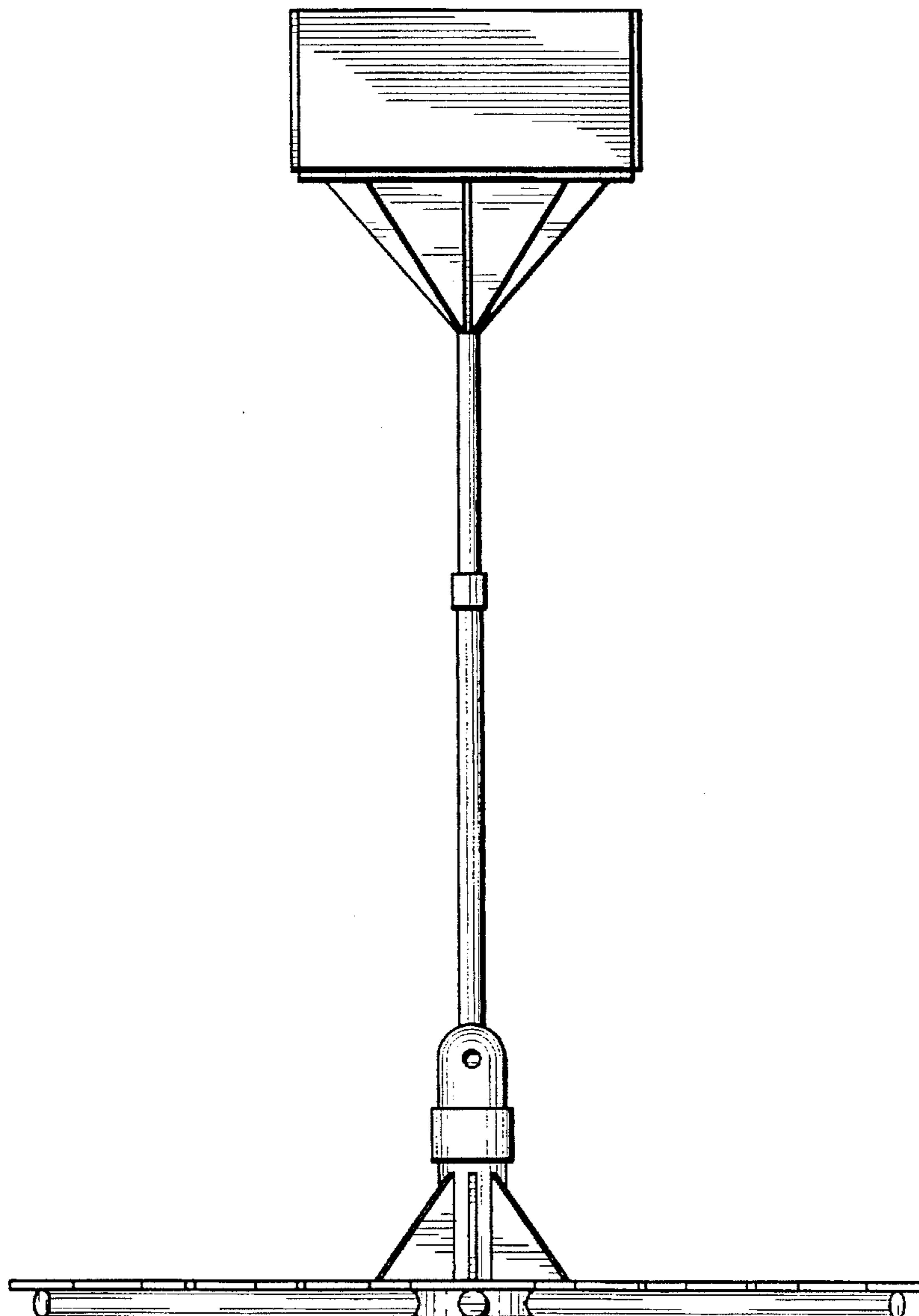


FIG. 1

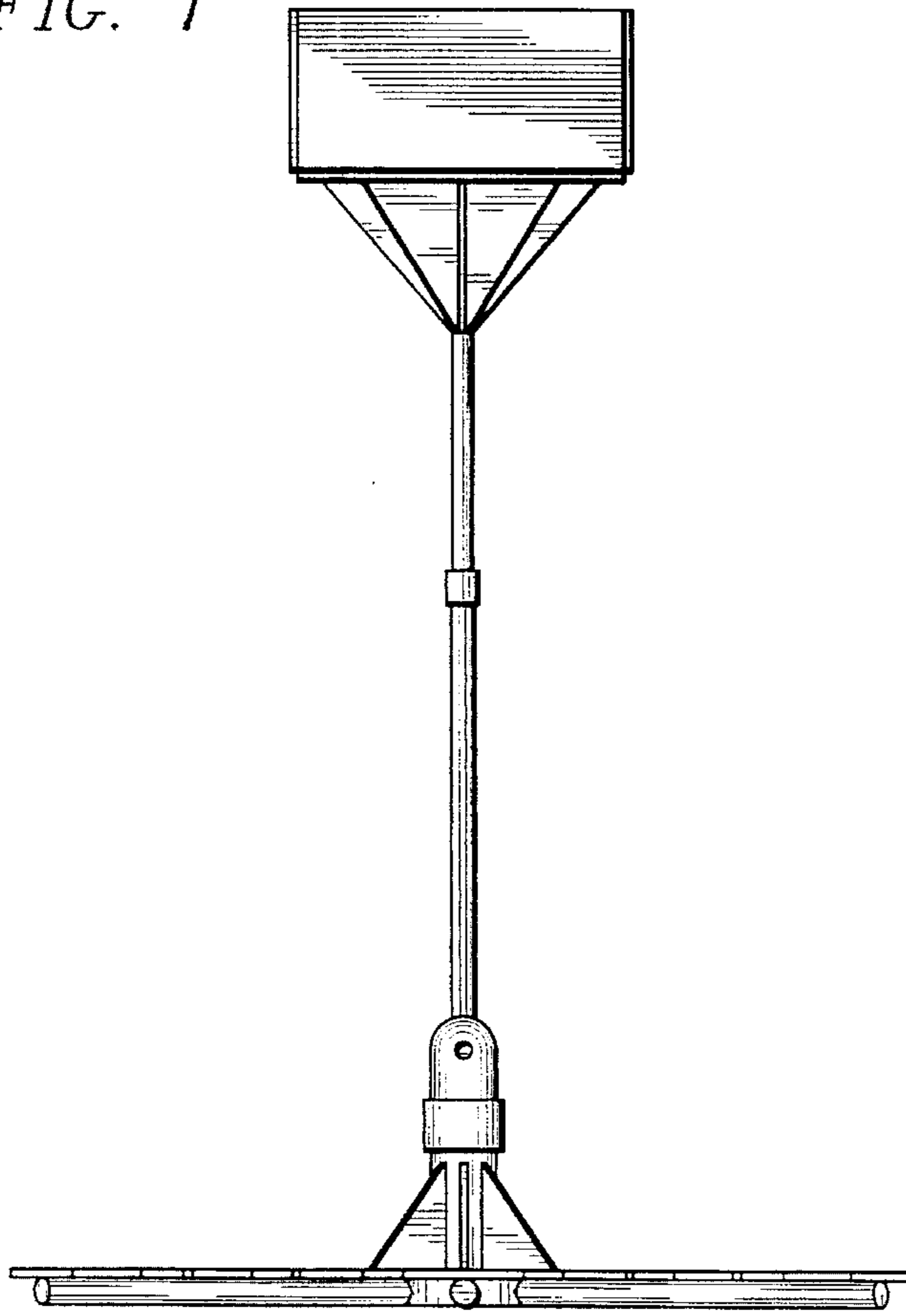


FIG. 2

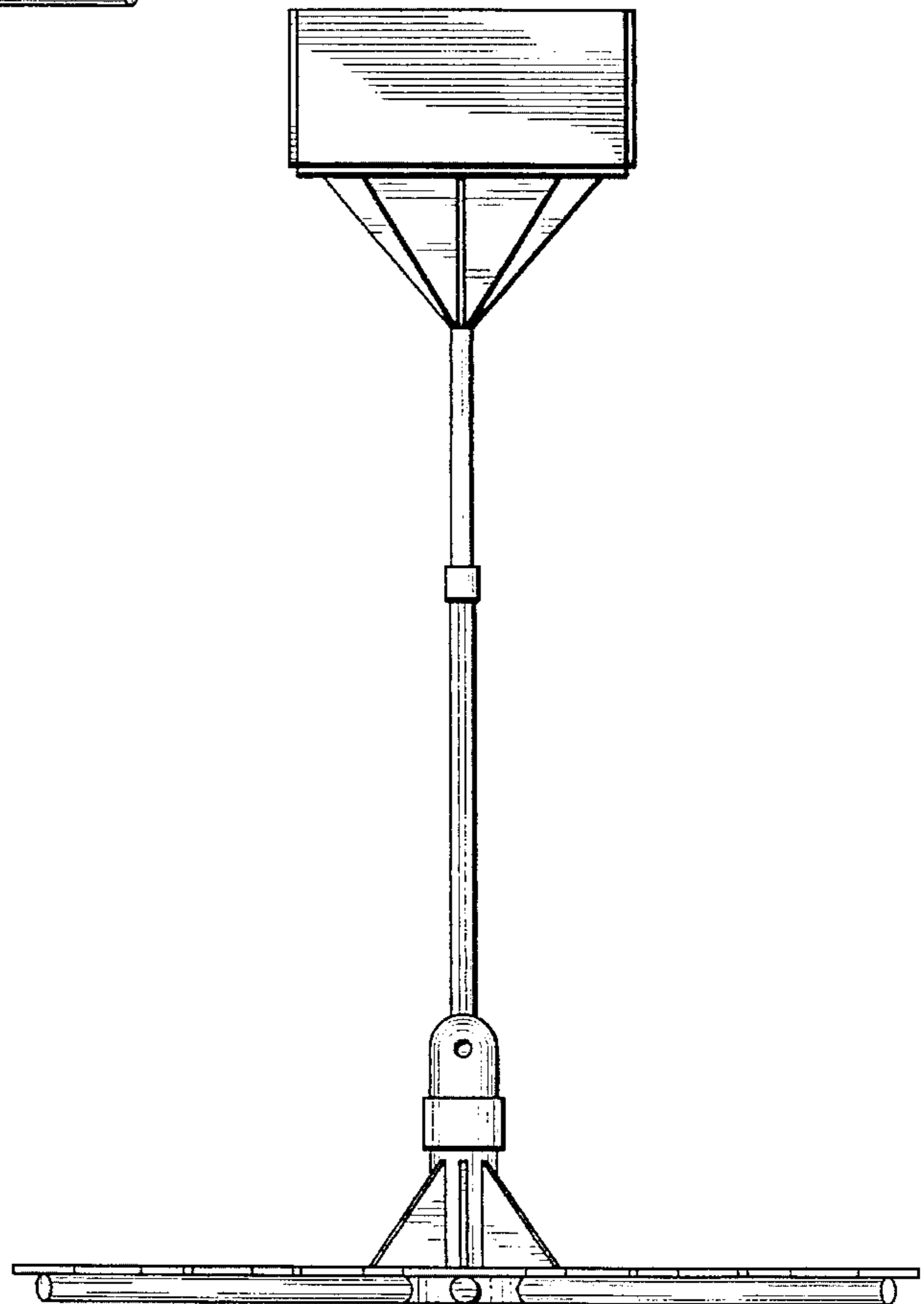


FIG. 3

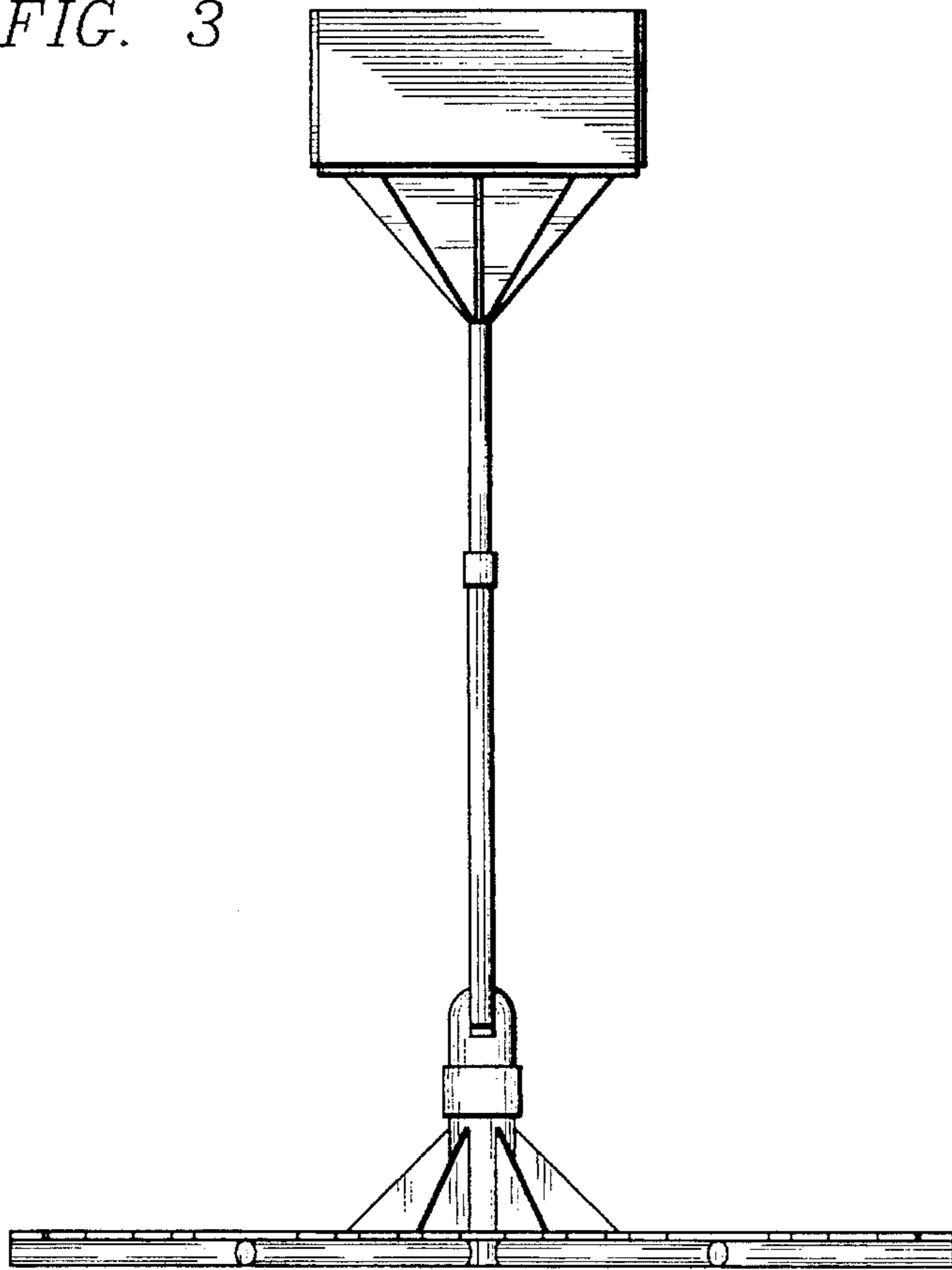


FIG. 4

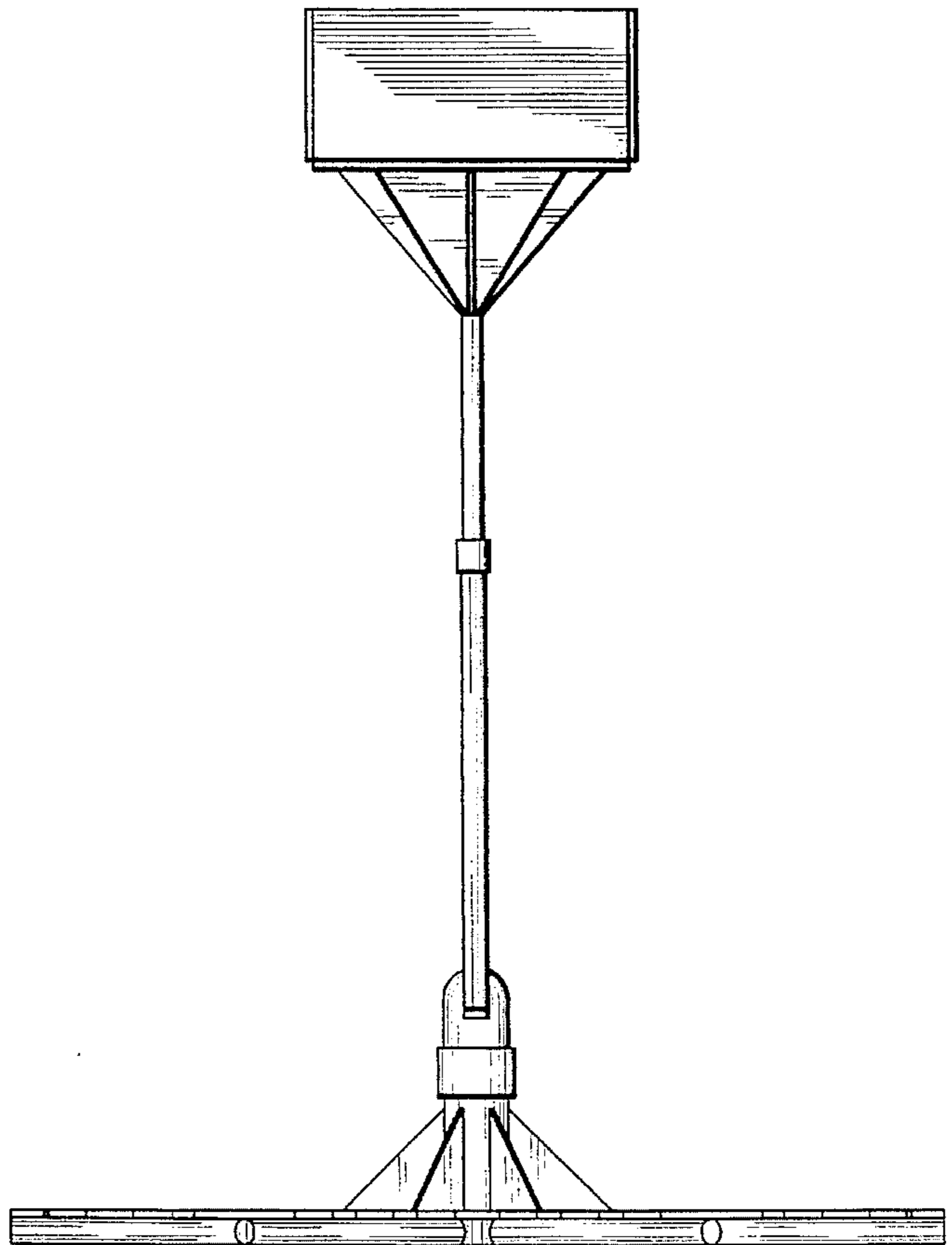


FIG. 5

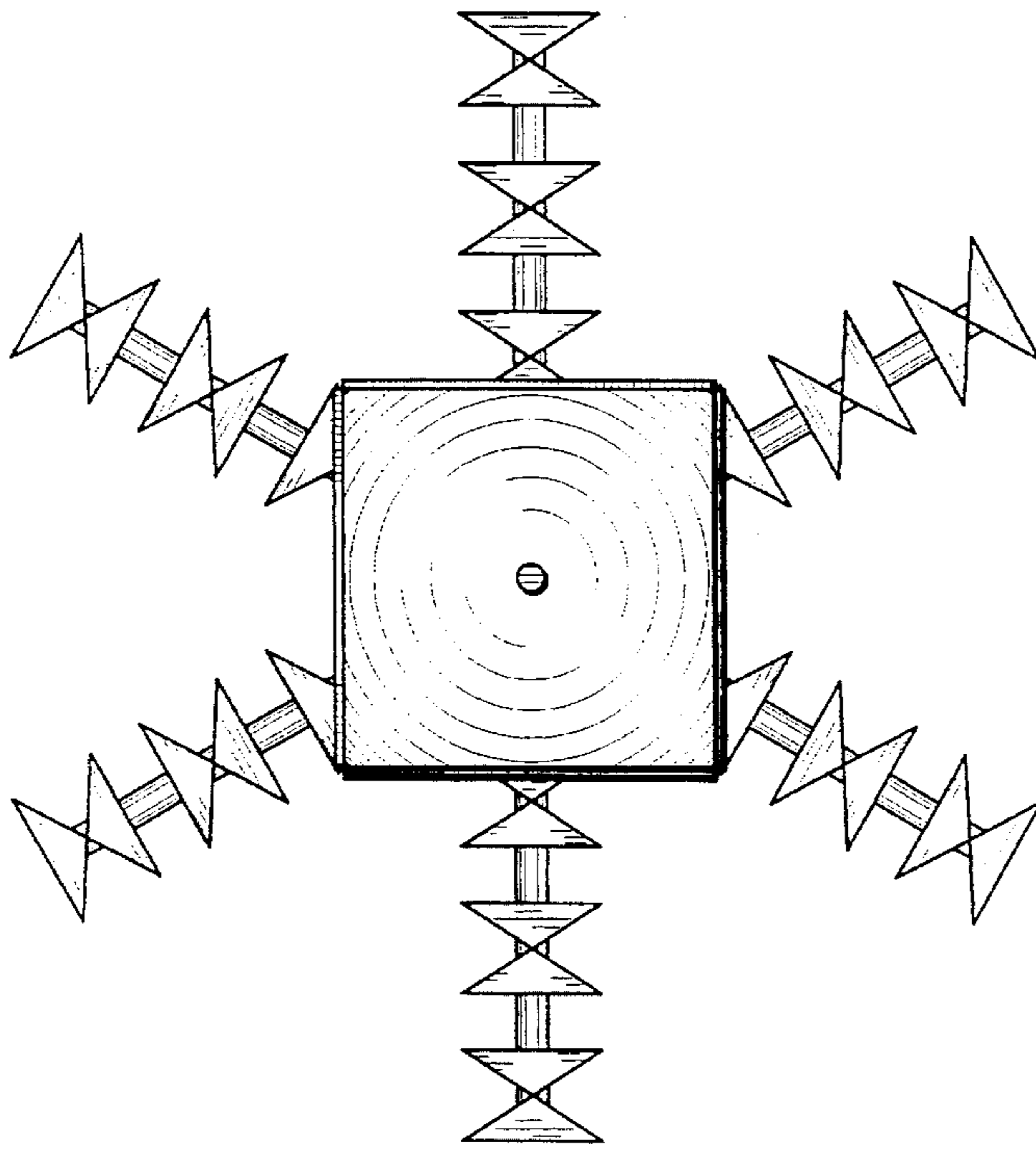


FIG. 6

