



US00D364689S

United States Patent [19]
Goss, Jr.

[11] **Patent Number: Des. 364,689**
[45] **Date of Patent: **Nov. 28, 1995**

[54] **WINDOW COMPONENT EXTRUSION**

4,742,647 5/1988 Pacca 49/DIG. 2

[75] Inventor: **Lorane C. Goss, Jr.**, Slippery Rock, Pa.

Primary Examiner—Doris Clark
Attorney, Agent, or Firm—Seed and Berry

[73] Assignee: **Mikron Industries, Inc.**, Kent, Wash.

[57] **CLAIM**

[**] Term: **14 Years**

The ornamental design for a window component extrusion, as shown and described.

[21] Appl. No.: **32,248**

[22] Filed: **Dec. 15, 1994**

DESCRIPTION

[52] U.S. Cl. **D25/124**

[58] Field of Search **D25/124, 52; 49/504, 49/505, DIG. 2**

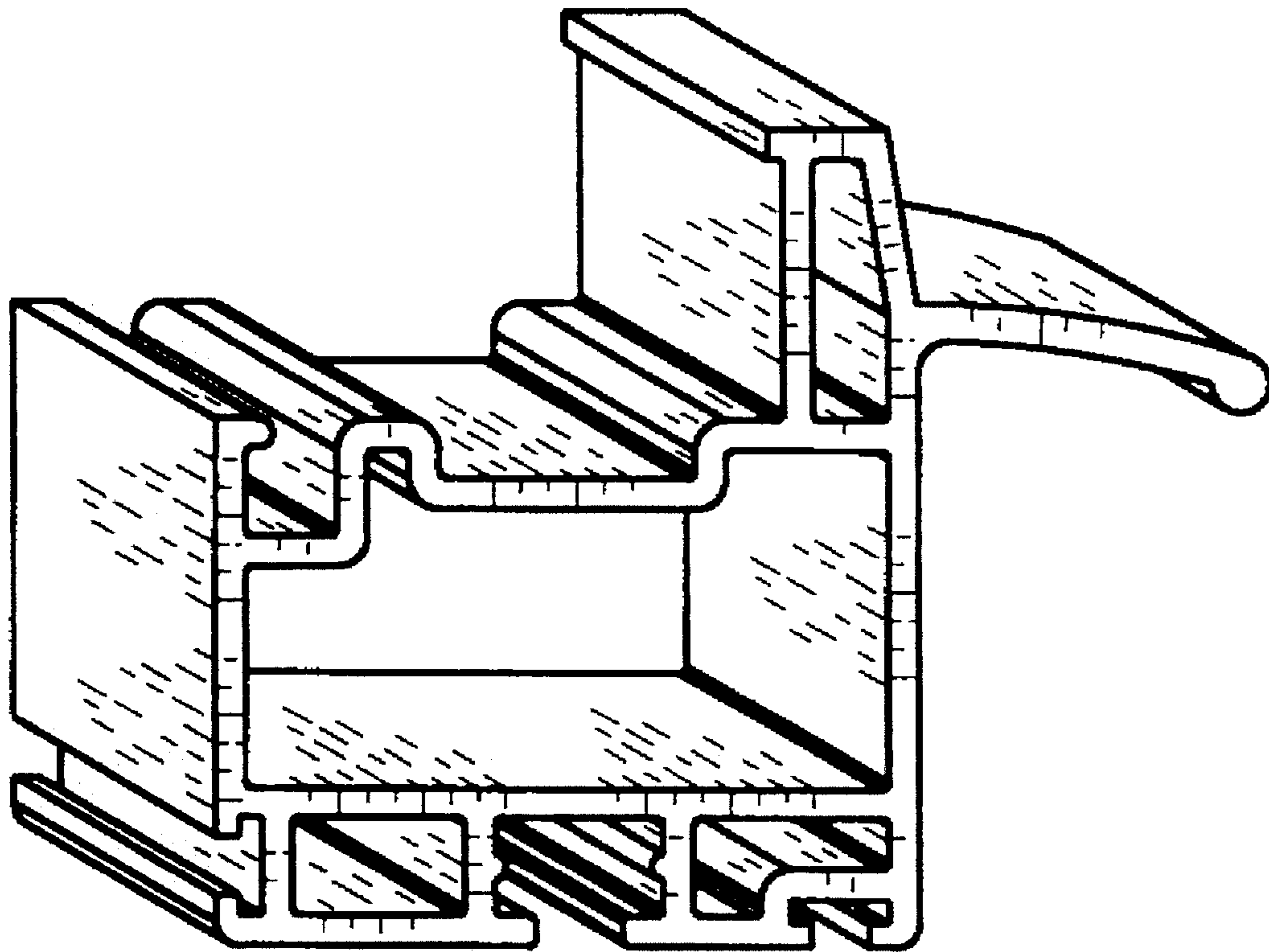
FIG. 1 is a top right perspective view of a window component extrusion showing my new design, the window component extrusion being of indefinite length; and, FIG. 2 is a bottom left perspective view thereof.

[56] **References Cited**

U.S. PATENT DOCUMENTS

D. 307,945 5/1990 Westphal et al. **D25/124**

1 Claim, 1 Drawing Sheet



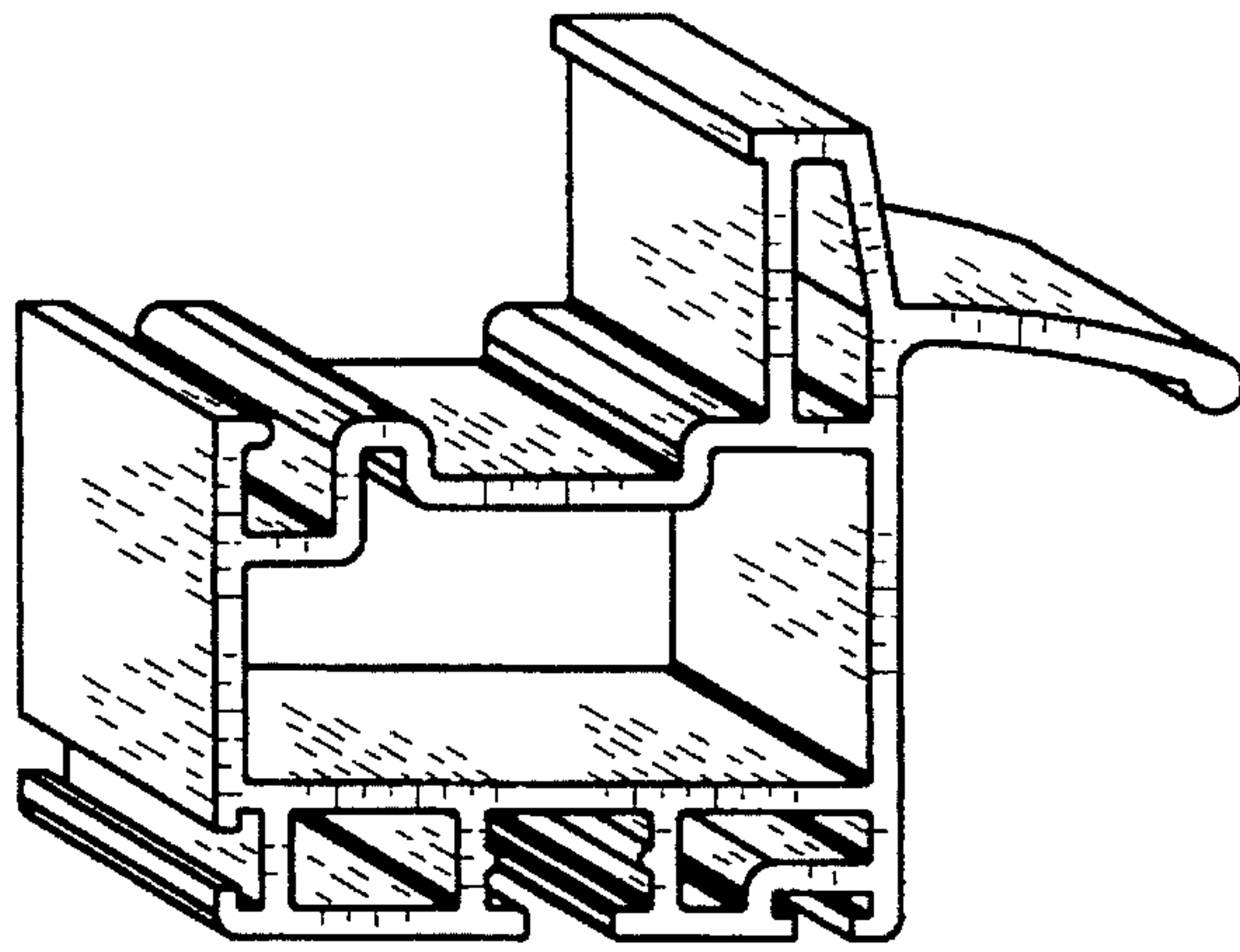


FIG. 1

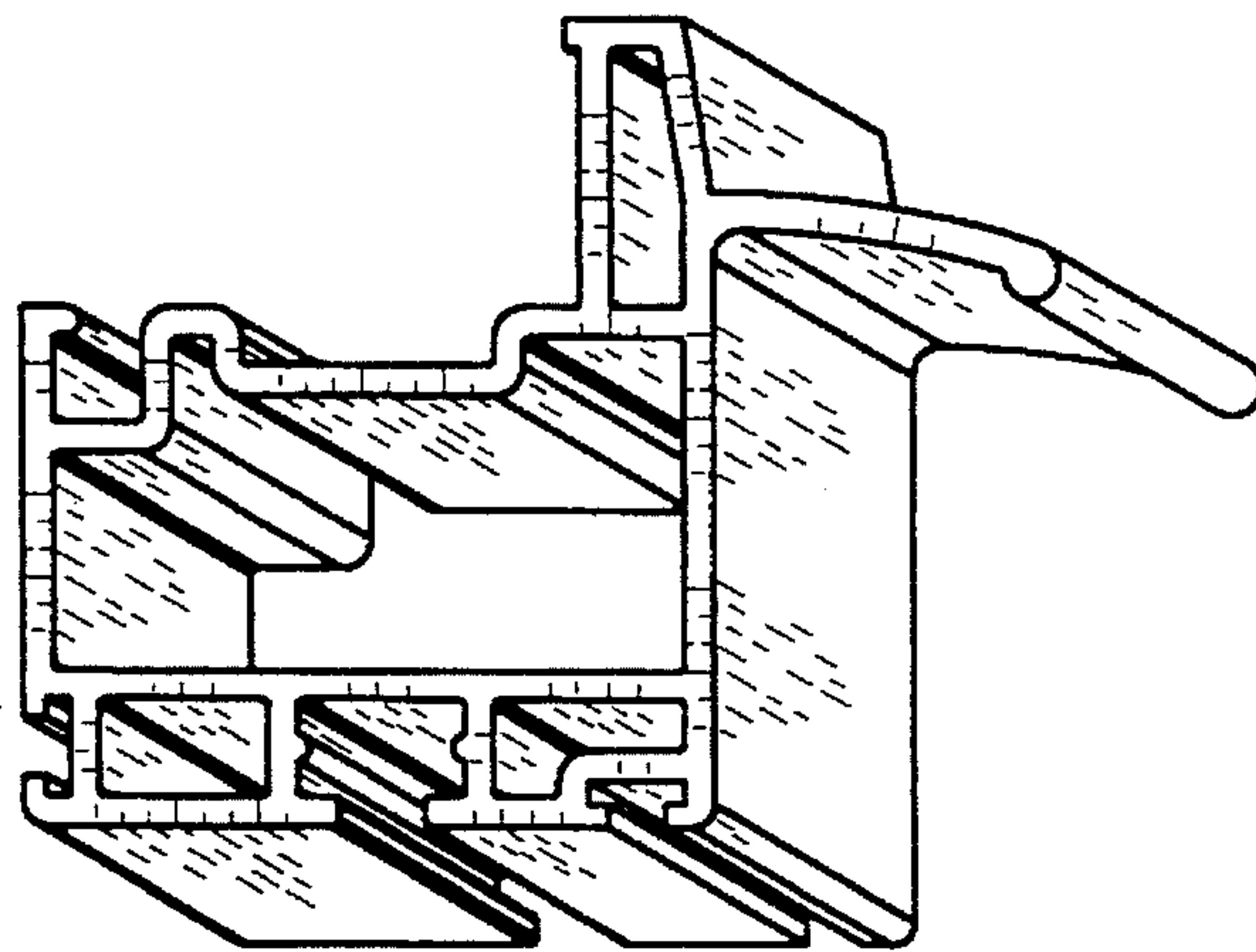


FIG. 2