



US00D364688S

United States Patent [19]

Goss, Jr.

[11] Patent Number: **Des. 364,688**

[45] Date of Patent: ****Nov. 28, 1995**

[54] WINDOW COMPONENT EXTRUSION

4,742,647 5/1988 Pacca 49/DIG. 2

[75] Inventor: **Lorane C. Goss, Jr.**, Slippery Rock, Pa.

Primary Examiner—Doris Clark
Attorney, Agent, or Firm—Seed and Berry

[73] Assignee: **Mikron Industries, Inc.**, Kent, Wash.

[57] CLAIM

[**] Term: **14 Years**

The ornamental design for a window component extrusion, as shown and described.

[21] Appl. No.: **32,247**

DESCRIPTION

[22] Filed: **Dec. 15, 1994**

[52] U.S. Cl. **D25/124**

FIG. 1 is a top right perspective view of a window component extrusion showing my new design, the window component extrusion being of indefinite length; and,

[58] Field of Search D25/124, 52; 49/504, 49/505, DIG. 2

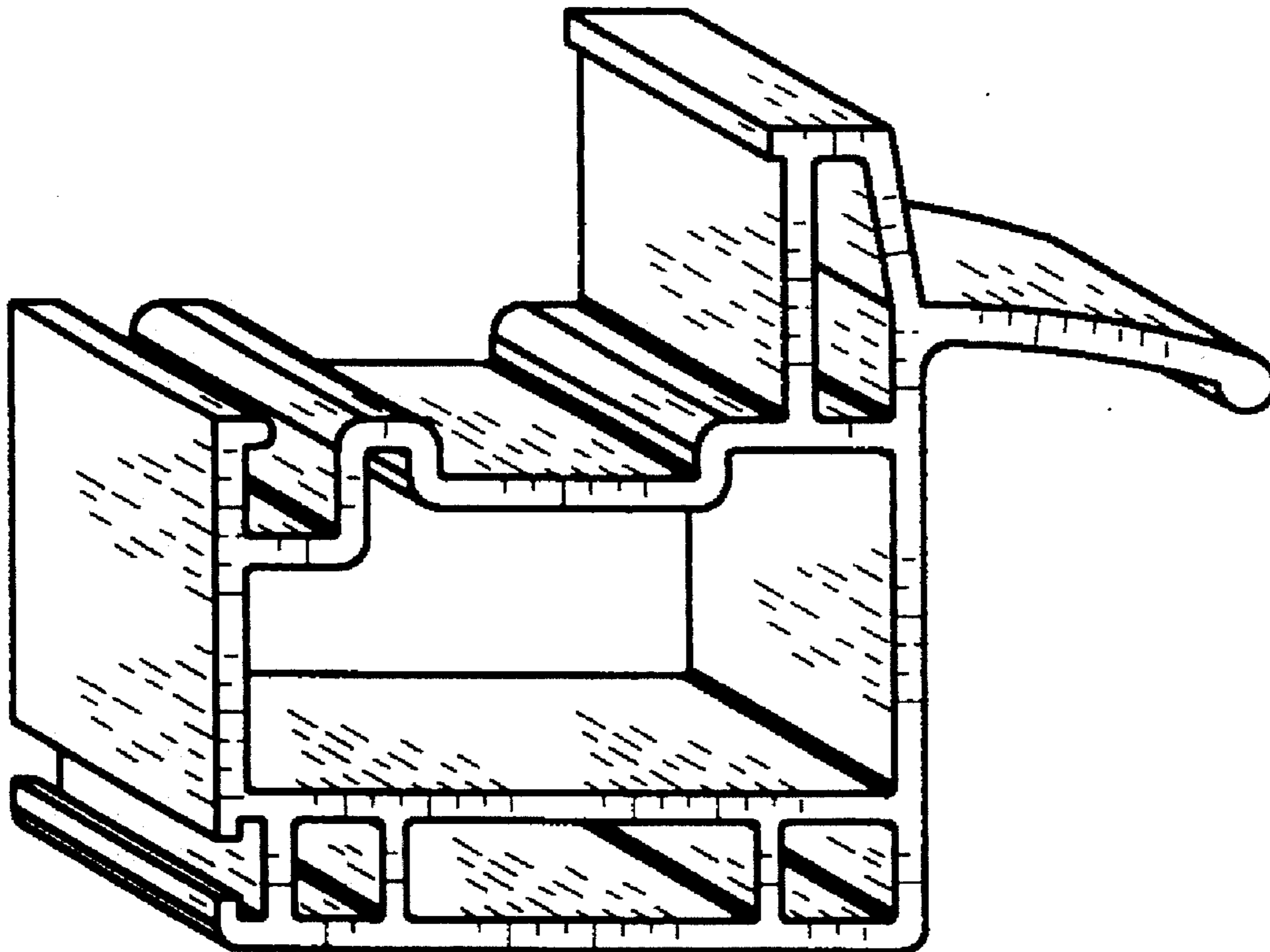
FIG. 2 is a bottom left perspective view thereof.

[56] References Cited

U.S. PATENT DOCUMENTS

D. 307,486 4/1990 Westphal et al. D25/124

1 Claim, 1 Drawing Sheet



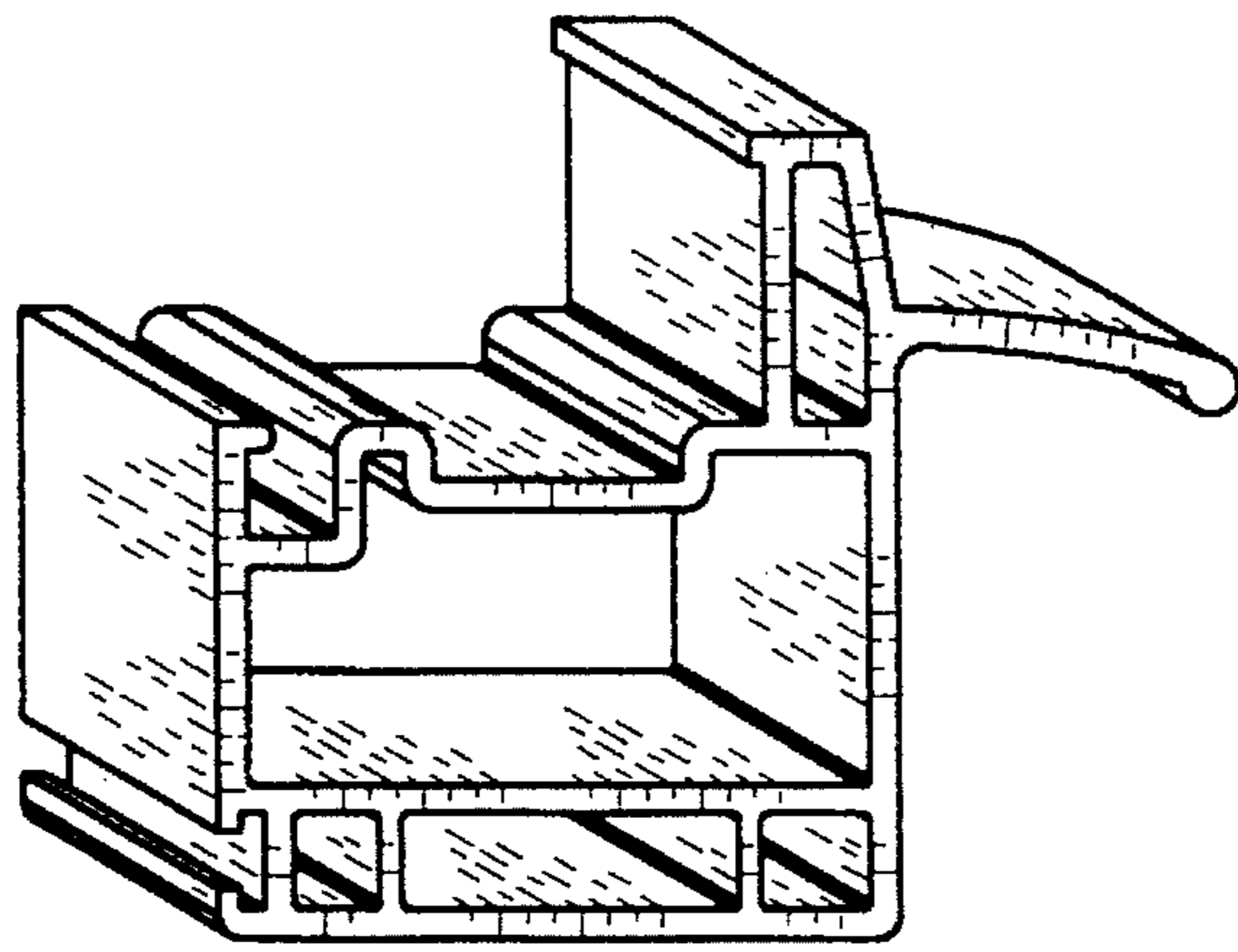


FIG. 1

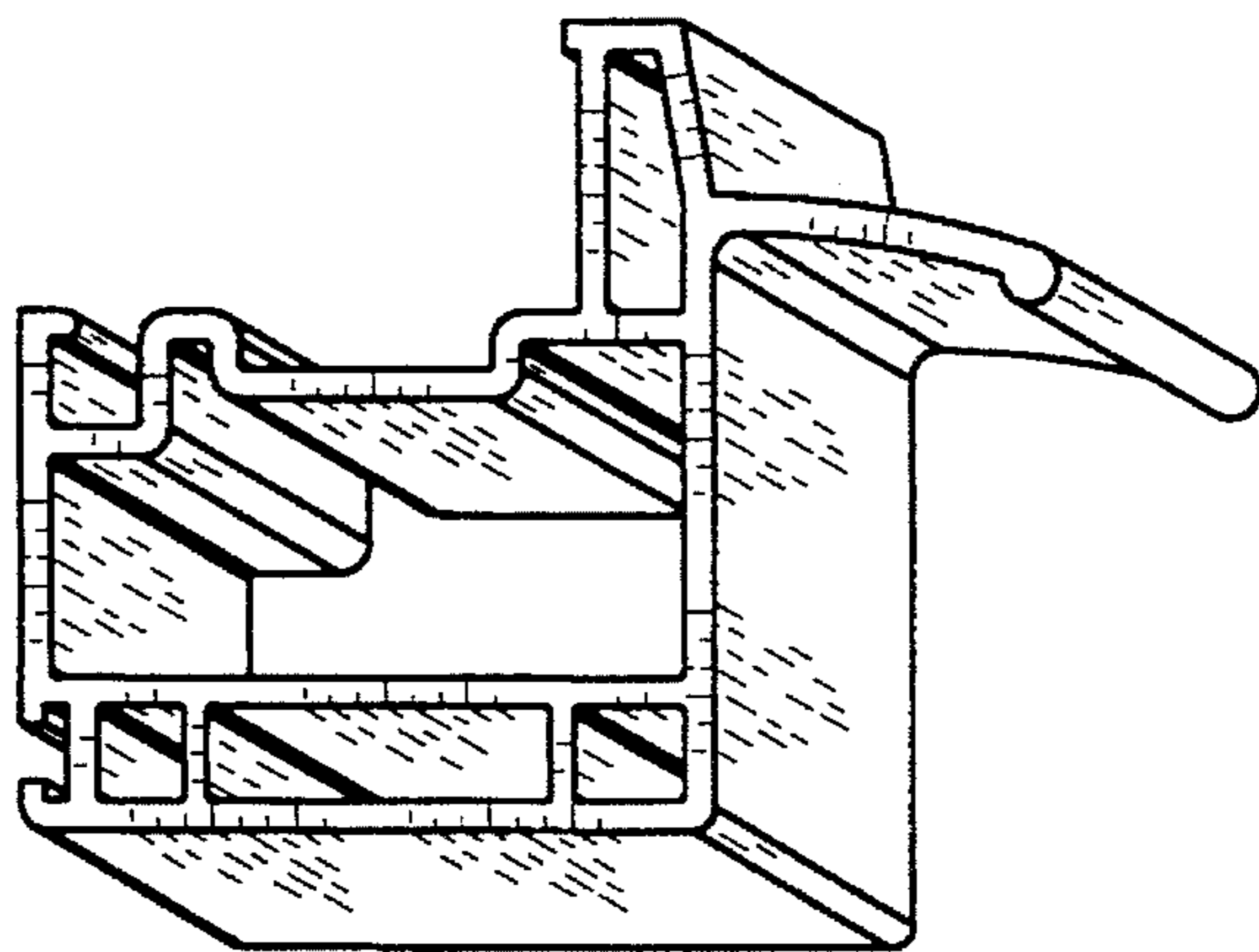


FIG. 2