



US00D364685S

United States Patent [19] Christensen

[11] Patent Number: **Des. 364,685**

[45] Date of Patent: ****Nov. 28, 1995**

[54] **PACIFIER**

D. 296,471 6/1988 Marriott D24/195
4,640,282 2/1987 Careborg 606/234

[76] Inventor: **Steven C. Christensen**, 22 Tahanto St.,
Concord, N.H. 03301

Primary Examiner—Stella Reid
Attorney, Agent, or Firm—Rines & Rines

[**] Term: **14 Years**

[57] **CLAIM**

[21] Appl. No.: **20,907**

The ornamental design for a pacifier, as shown and described.

[22] Filed: **Apr. 5, 1994**

Related U.S. Application Data

DESCRIPTION

[63] Continuation-in-part of Ser. No. 747,535, Aug. 12, 1991,
abandoned.

FIG. 1 is a left side elevational view of a pacifier, showing my new design;

[52] **U.S. Cl.** **D24/195**

FIG. 2 is a front elevational view thereof;

[58] **Field of Search** D24/194, 196,
D24/193; 606/234, 235, 236

FIG. 3 is a rear elevational view thereof;

FIG. 4 is a right side elevational view thereof;

FIG. 5 is a top plan view thereof; and,

FIG. 6 is a bottom plan view thereof.

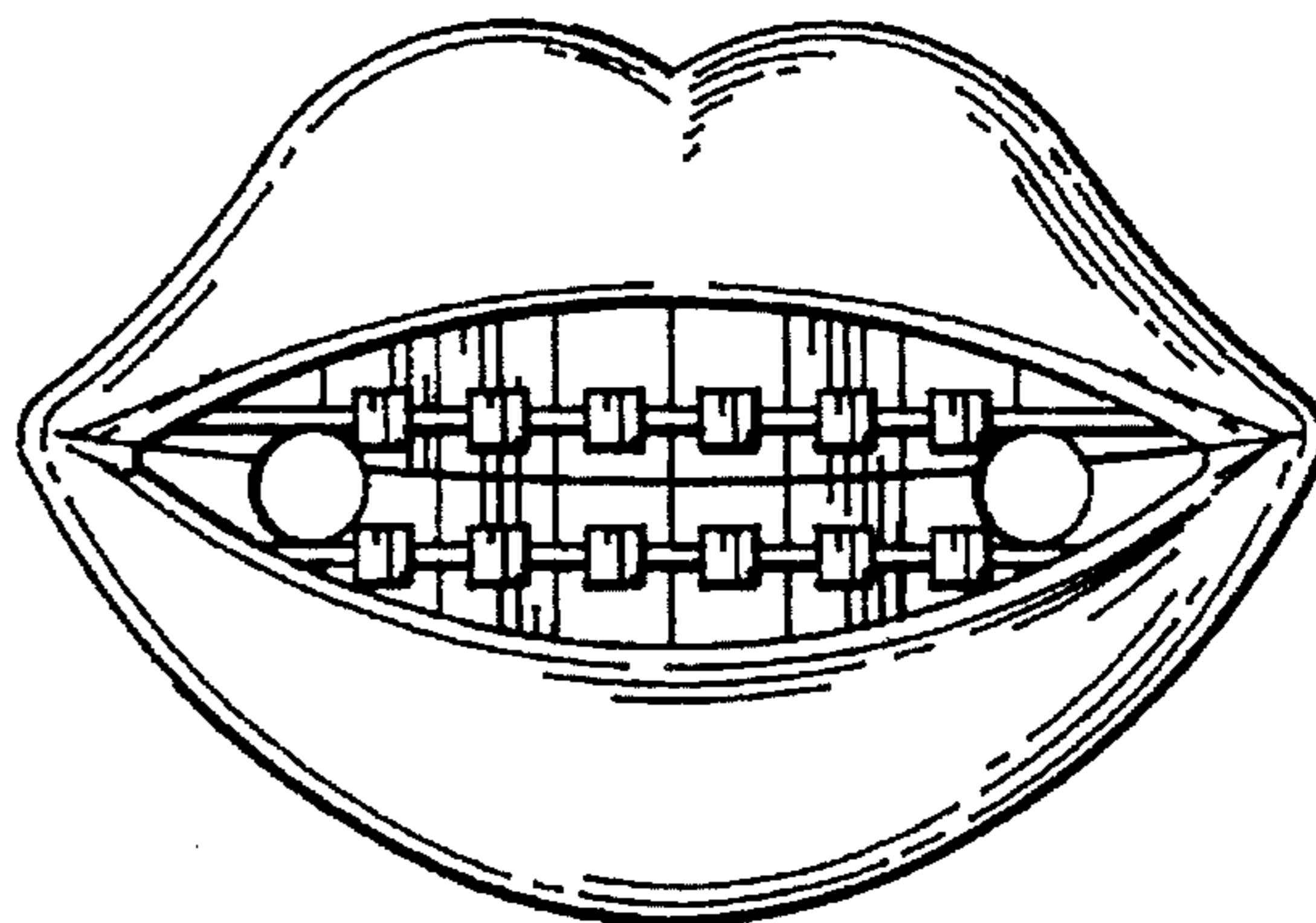
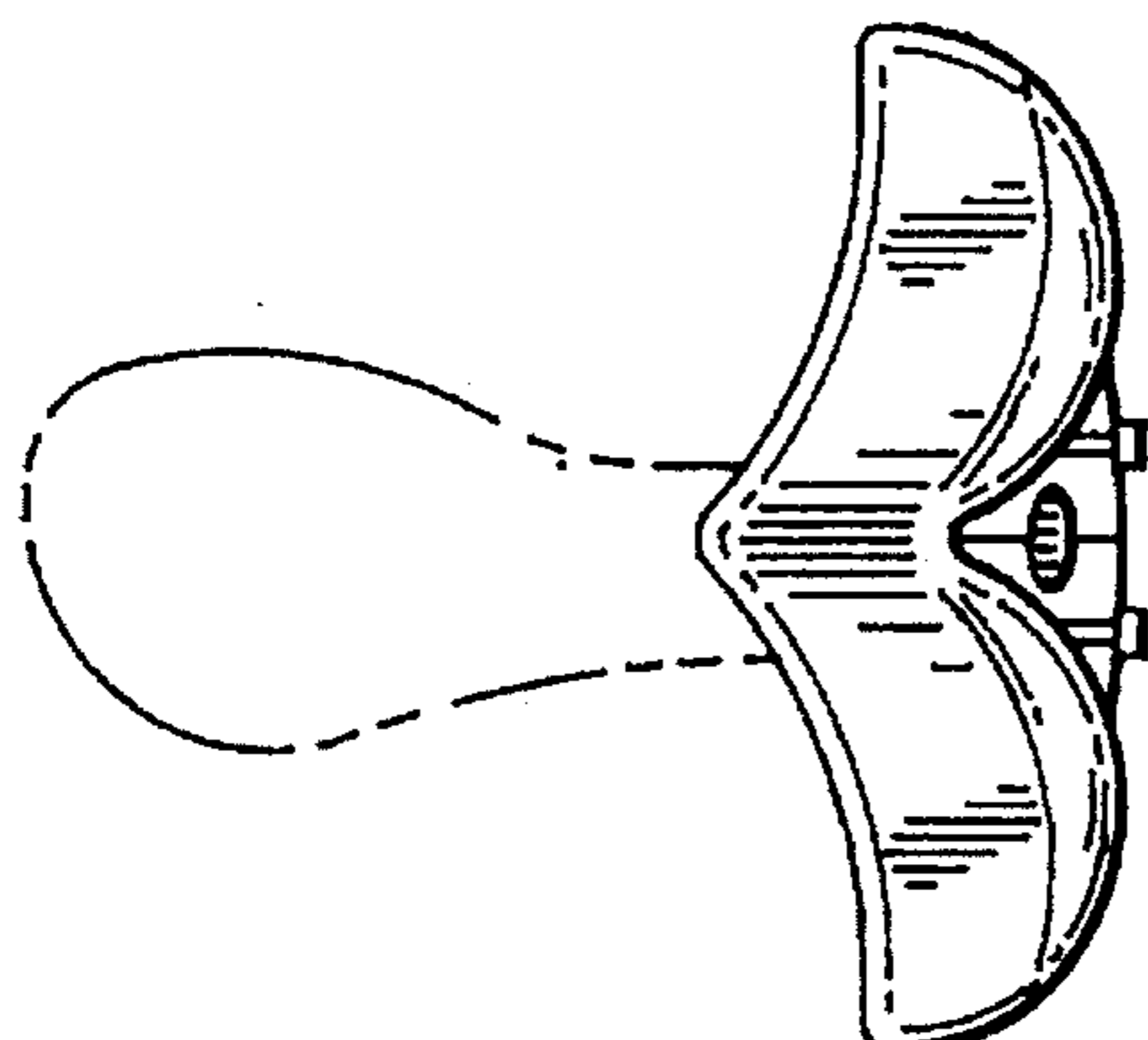
[56] **References Cited**

The broken line showing of the nipple in FIGS. 1 and 4-6 is for illustrative purposes only and forms no part of the claimed design.

U.S. PATENT DOCUMENTS

D. 269,815 7/1983 Qually D24/195
D. 271,052 10/1983 Qually D24/195

1 Claim, 2 Drawing Sheets



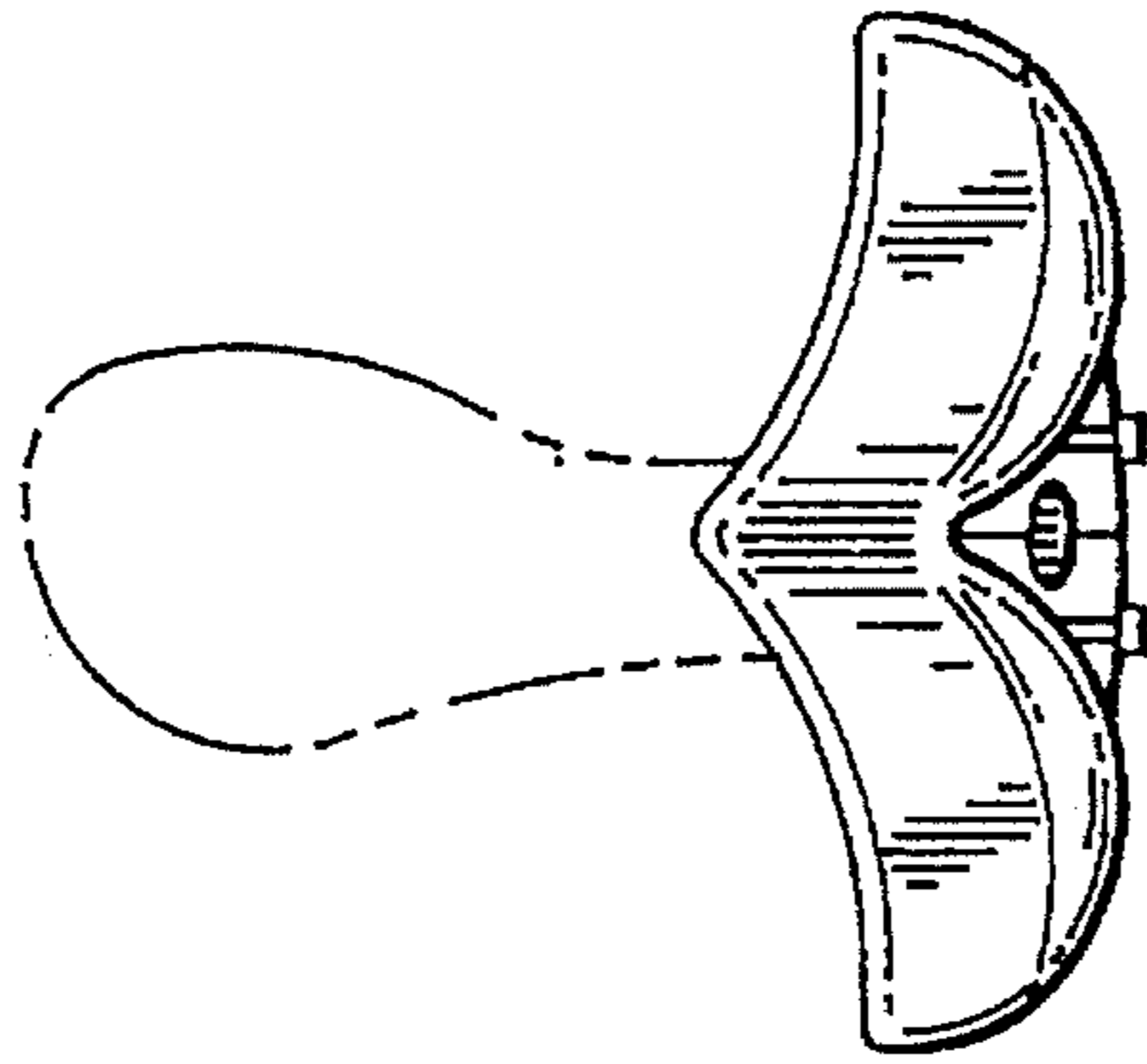


FIG. 1

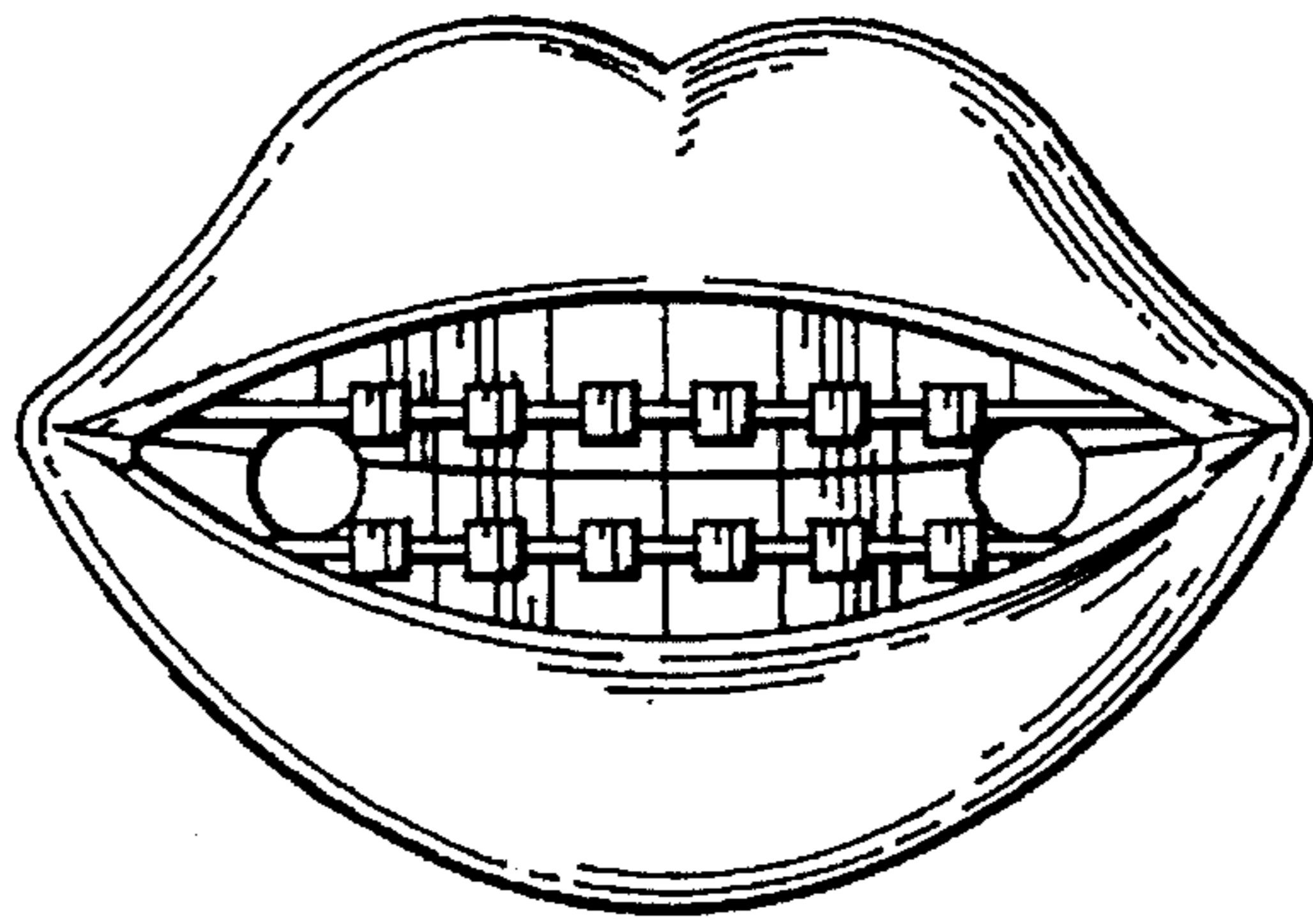


FIG. 2

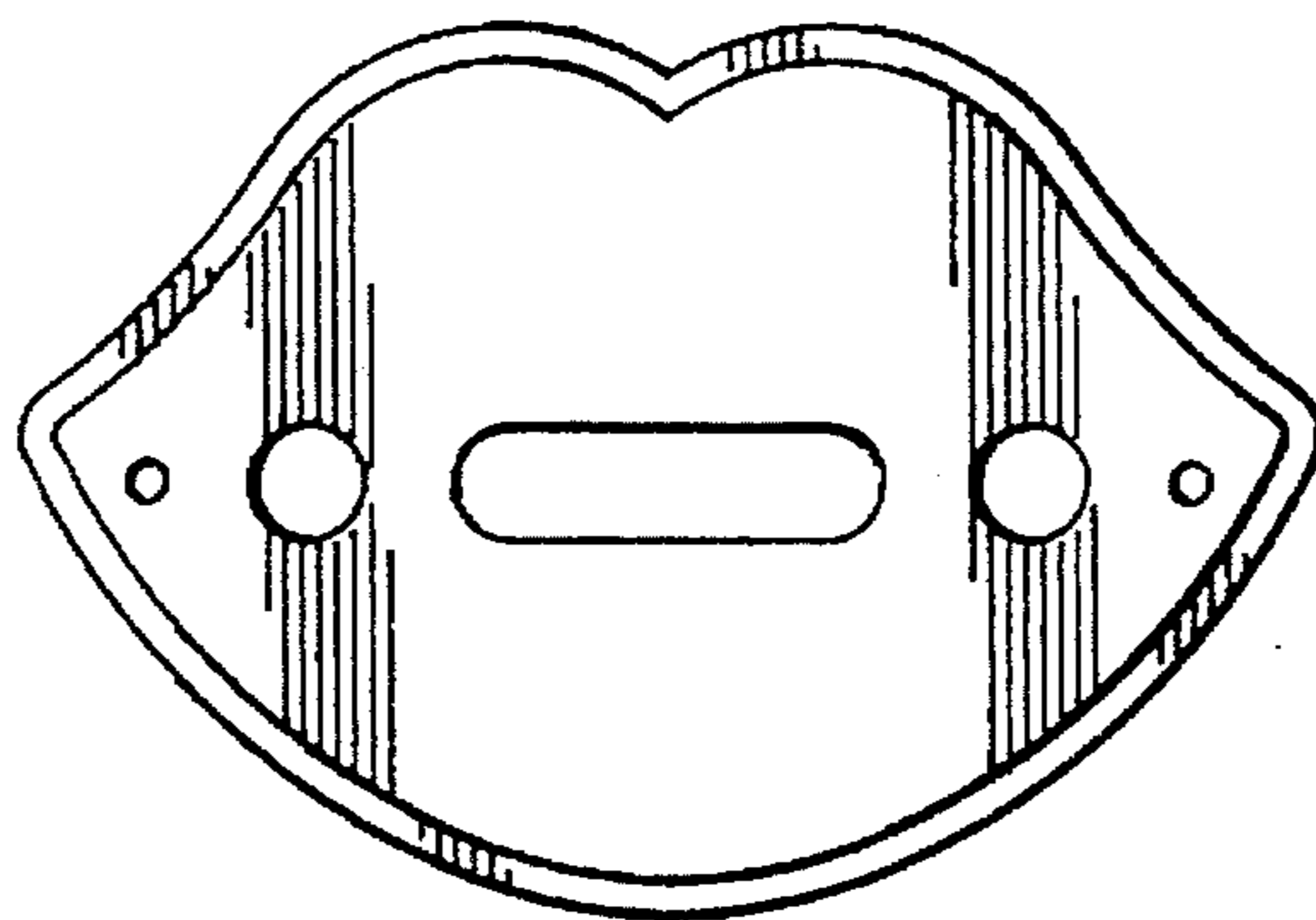


FIG. 3

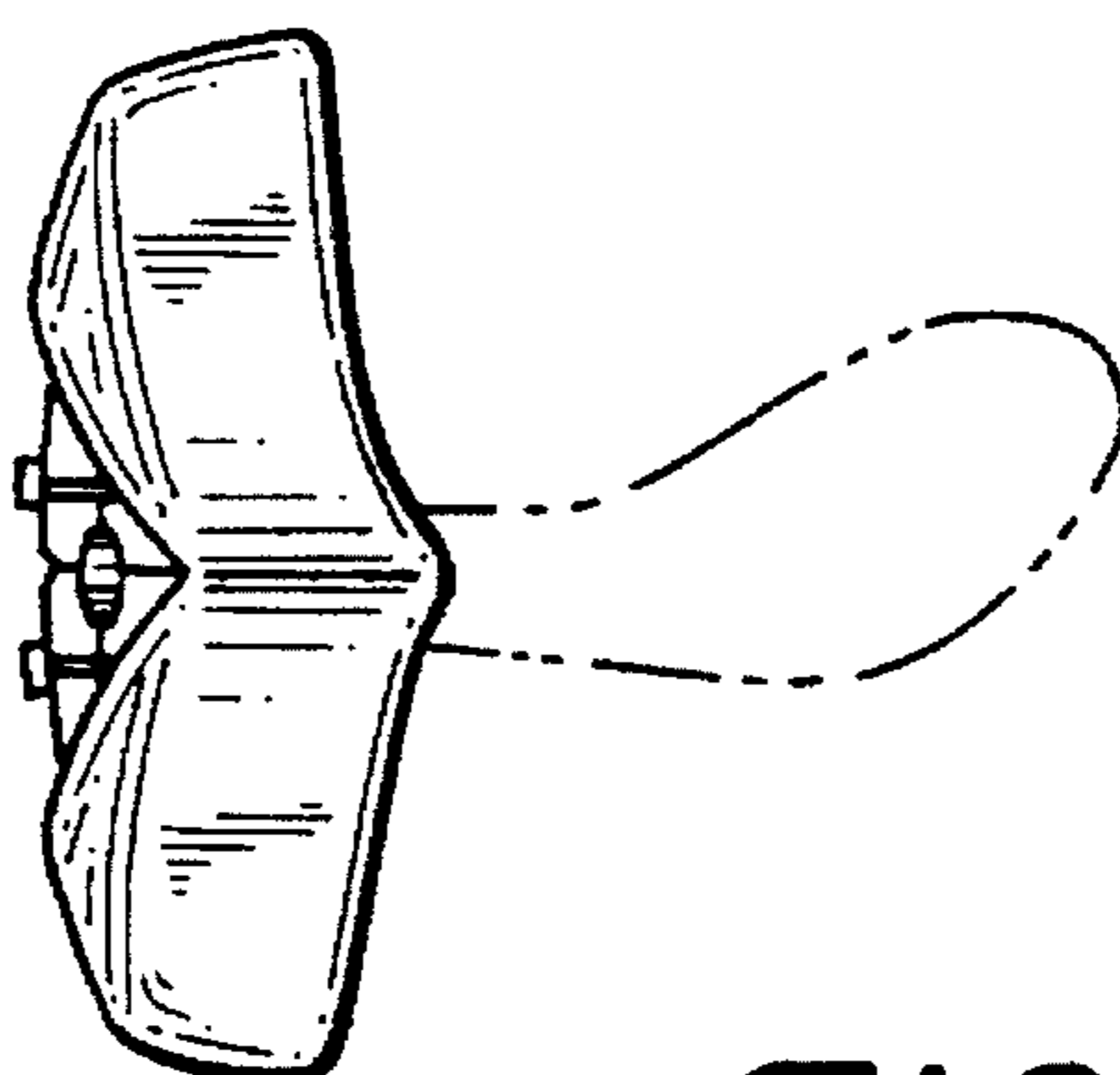


FIG. 4

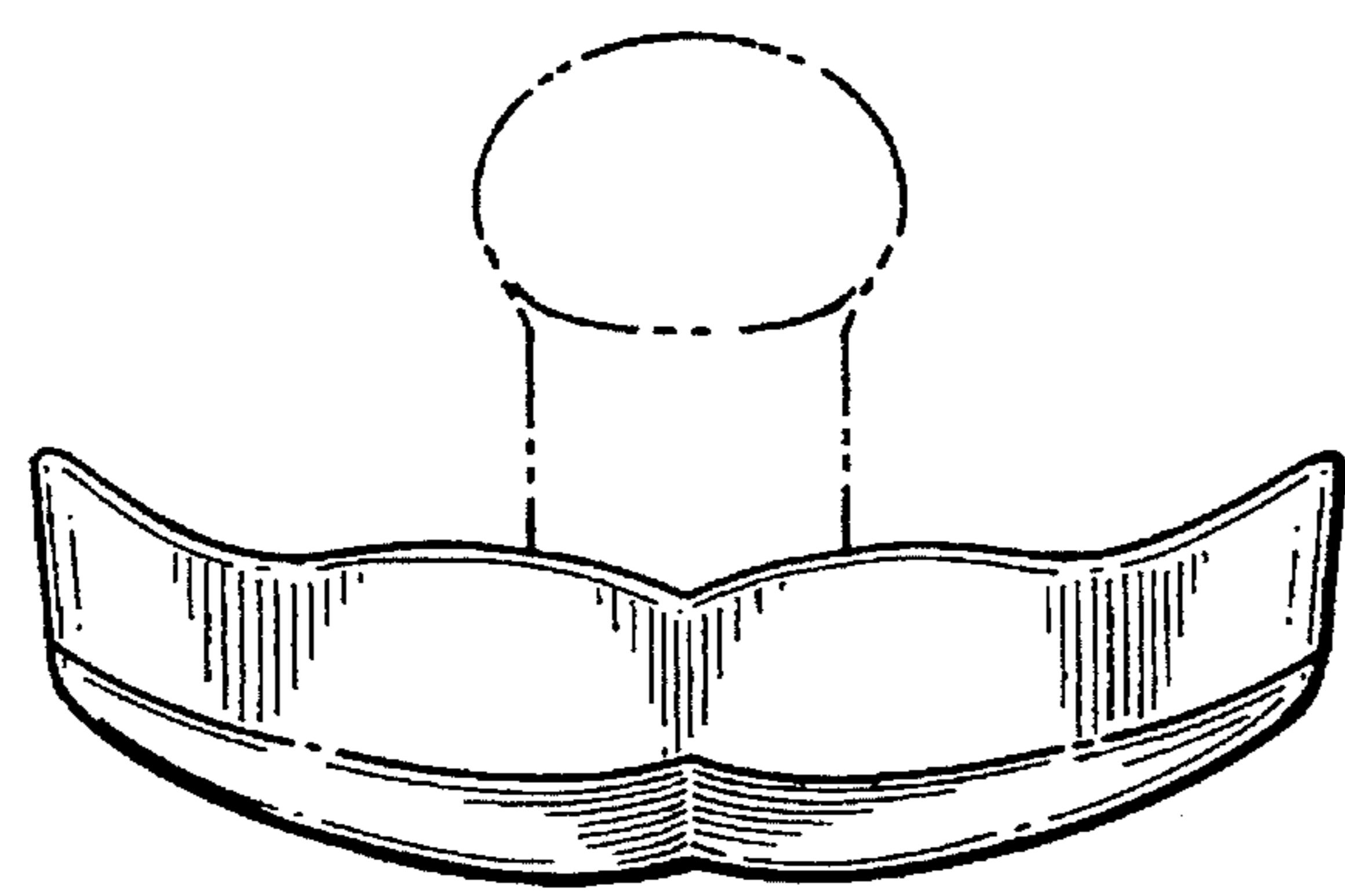


FIG. 5

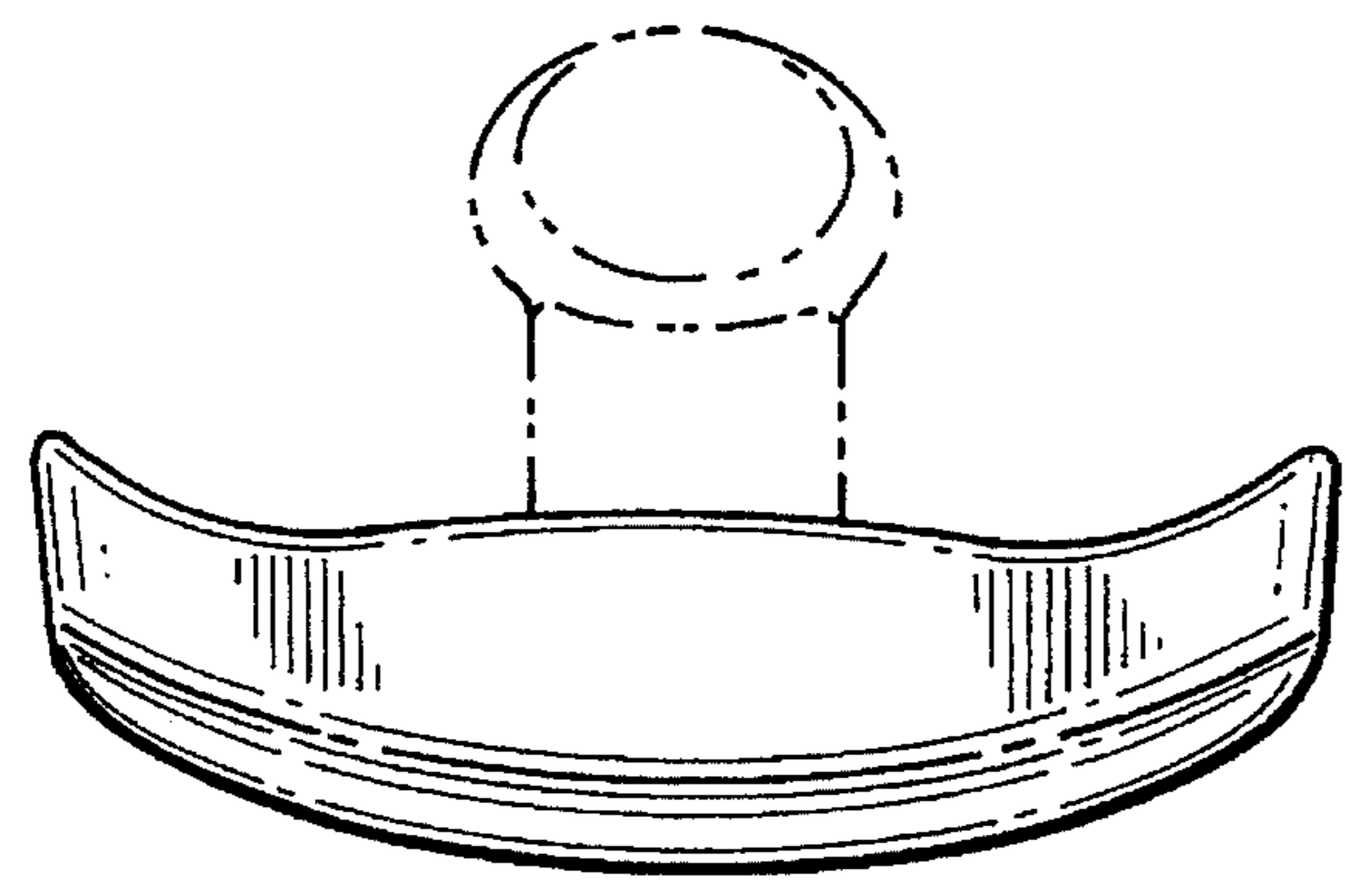


FIG. 6