



US00D364683S

United States Patent [19] Otsuka

[11] Patent Number: **Des. 364,683**

[45] Date of Patent: ****Nov. 28, 1995**

[54] **SURGICAL KNIFE DEPTH GAUGE**

4,759,363 7/1988 Jensen 606/172
5,071,427 12/1991 Stahl 606/172

[75] Inventor: **Norio Otsuka**, Sheki, Japan

[73] Assignee: **Feather Safety Razor Co., Ltd.**,
Osaka, Japan

Primary Examiner—Louis S. Zarfaz
Assistant Examiner—I. Simmons
Attorney, Agent, or Firm—Ladas & Parry

[**] Term: **14 Years**

[57] **CLAIM**

[21] Appl. No.: **12,516**

The ornamental design of a surgical knife depth gauge, as shown and described.

[22] Filed: **Sep. 2, 1993**

DESCRIPTION

[30] **Foreign Application Priority Data**

Mar. 5, 1993 [JP] Japan 5-6124

[52] U.S. Cl. **D24/140**

[58] Field of Search D24/140, 146;
606/172, 167; 30/162, 293, 162, 233, 286,
320

FIG. 1 is a perspective view of a surgical knife depth gauge showing my new design;

FIG. 2 is an enlarged top plan view thereof;

FIG. 3 is an enlarged front elevational view thereof;

FIG. 4 is an enlarged bottom plan view thereof;

FIG. 5 is an enlarged right side elevational view thereof;

FIG. 6 is an enlarged left side elevational view thereof;

FIG. 7 is a cross-sectional view thereof, taken along the line 7—7 of FIG. 3;

FIG. 8 is a rear elevation view illustrating the doubling plate overlapped with the blade;

FIG. 9 is a plan view illustrating the doubling plate overlapped with the blade; and,

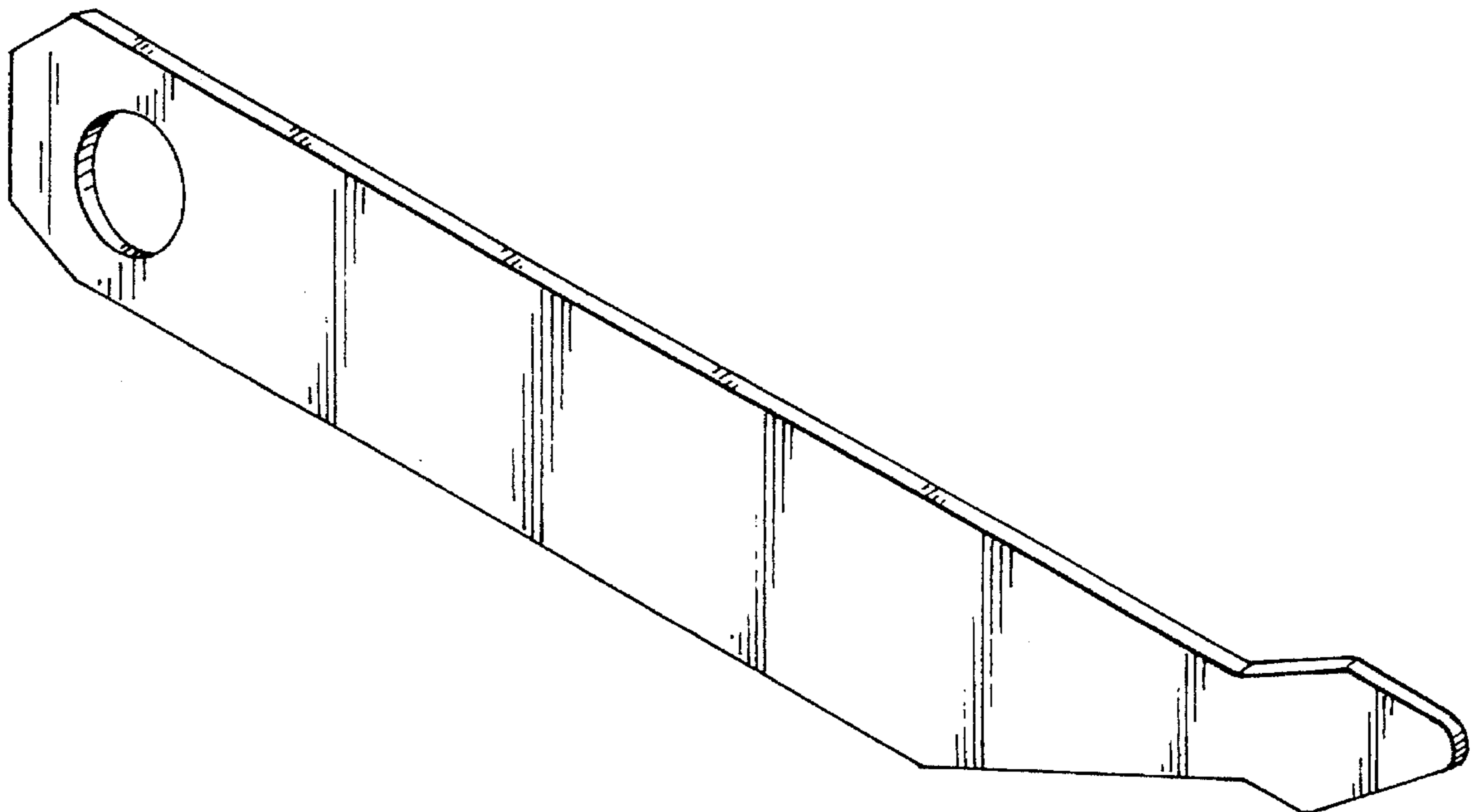
FIG. 10 is a front view illustrating the doubling plate overlapped with the blade.

[56] **References Cited**

U.S. PATENT DOCUMENTS

3,889,368	6/1975	Himeno	30/162
3,945,117	3/1976	Beaver	606/172 X
4,473,076	9/1984	Williams et al.	30/320 X
4,499,898	2/1985	Knepshield et al.	30/320 X
4,520,815	6/1985	Marinoff	606/172 X
4,552,146	11/1985	Jensen et al.	606/172 X
4,602,630	7/1986	Anis	30/286 X
4,642,090	2/1987	Utrata	D24/146 X

1 Claim, 3 Drawing Sheets



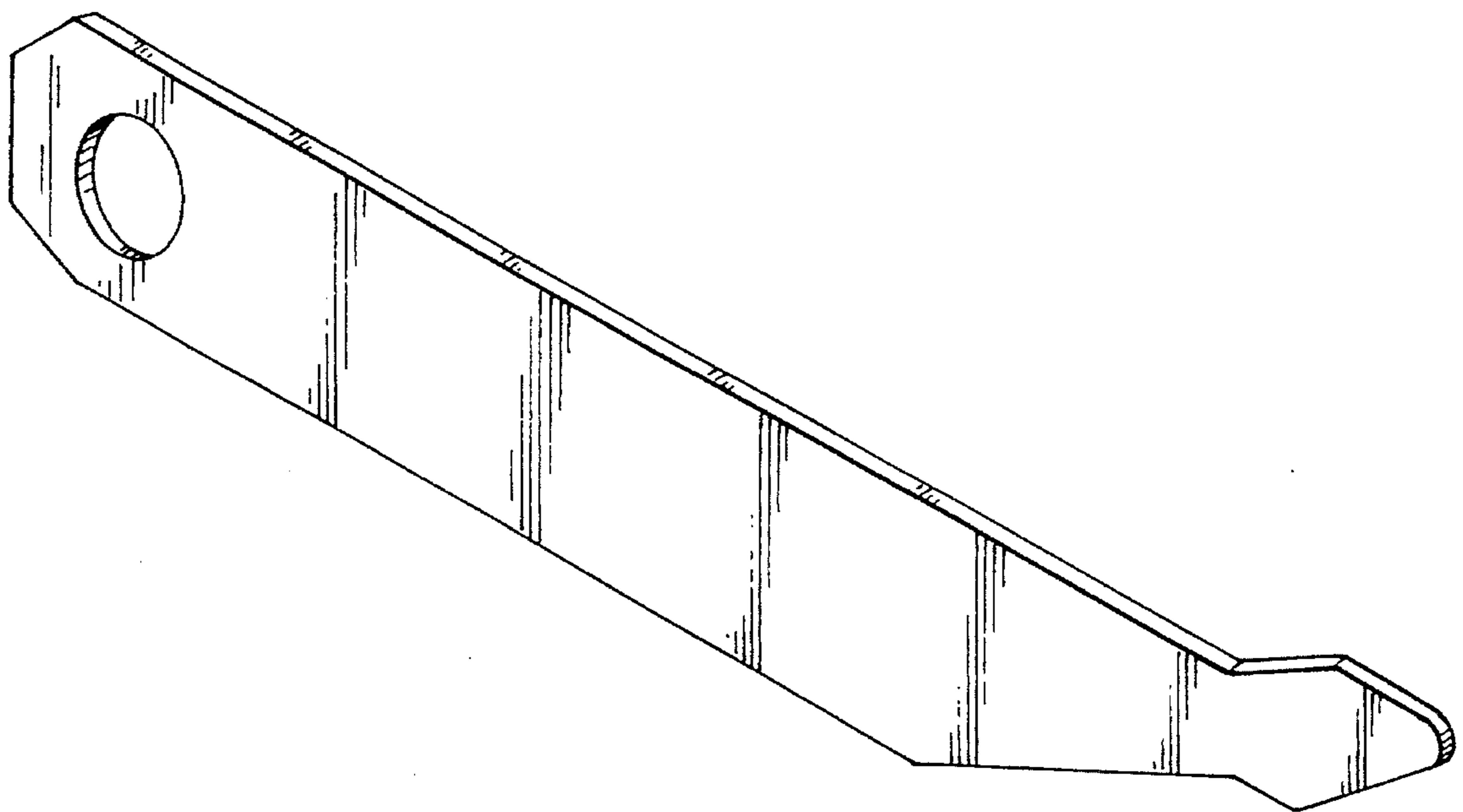


FIG. 1

FIG. 2



FIG. 3

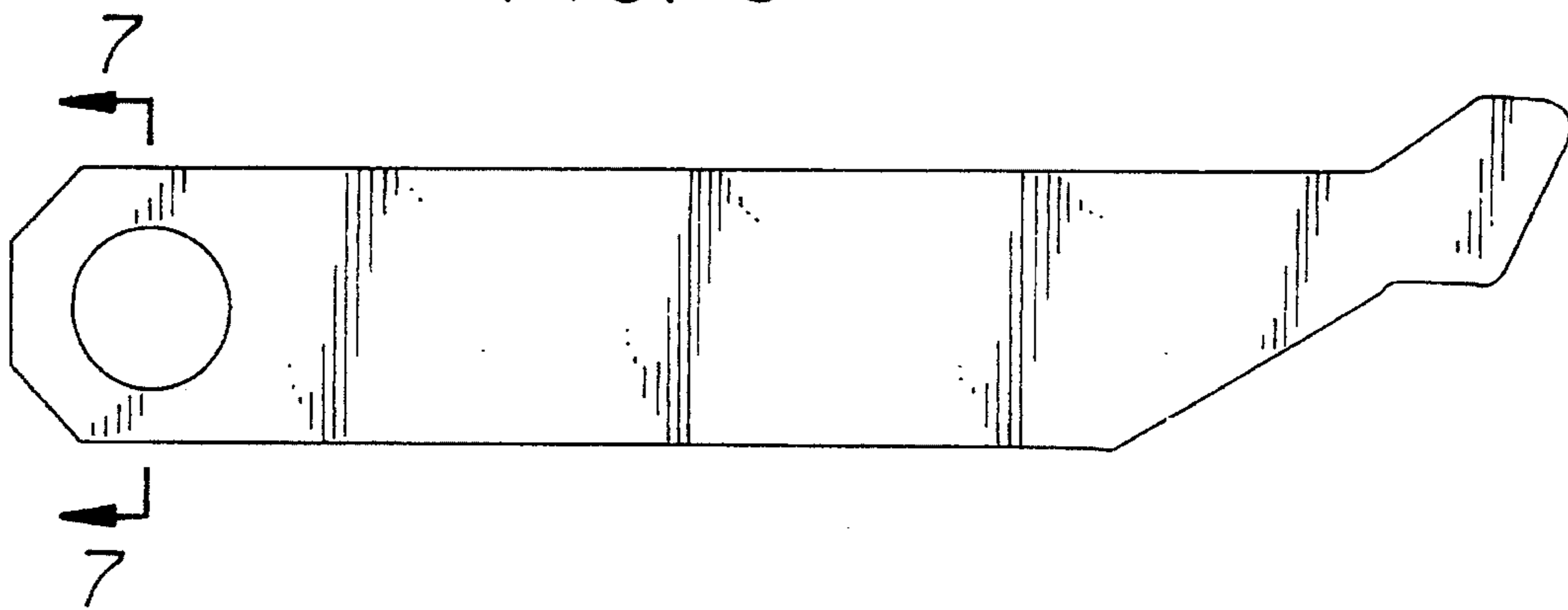


FIG. 4



FIG. 7



FIG. 6



FIG. 5



FIG. 8

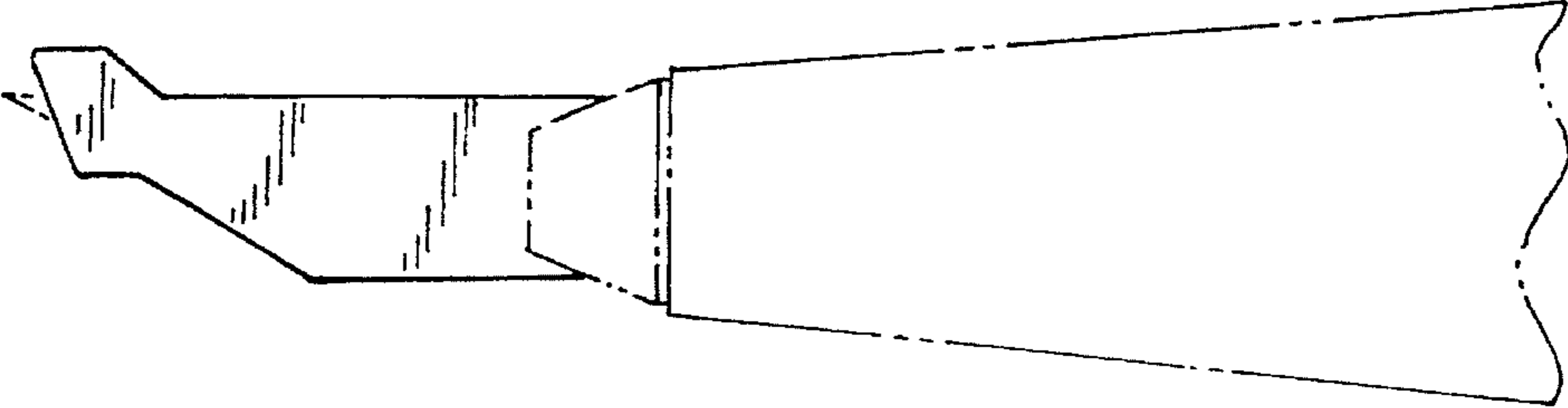


FIG. 9

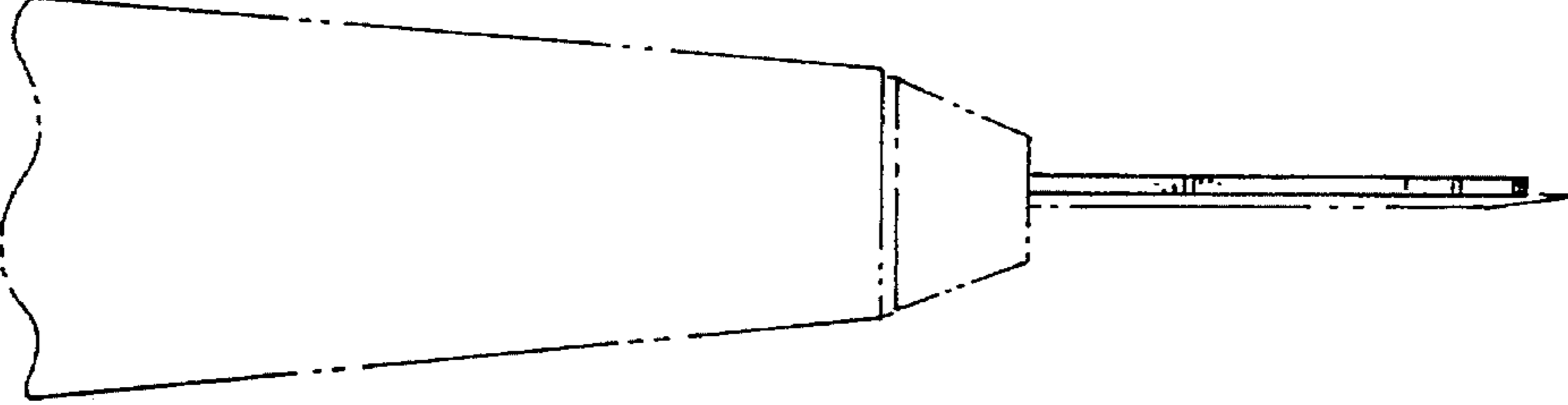


FIG. 10

