



US00D364682S

# United States Patent [19] Kip

[11] **Patent Number: Des. 364,682**  
[45] **Date of Patent: \*\*Nov. 28, 1995**

[54] **EPILATOR**  
[75] Inventor: **Albart J. Kip**, Groningen, Netherlands

D. 334,969 4/1993 Gudfin ..... D24/133  
D. 344,134 2/1994 Dingelstad et al. .... D24/133  
5,197,969 3/1993 Visscher et al. .... 626/133

[73] Assignee: **U.S. Philips Corporation**, New York, N.Y.

*Primary Examiner*—Lou Zarfaz  
*Assistant Examiner*—I. Simmons  
*Attorney, Agent, or Firm*—Jack E. Haken

[\*\*] Term: **14 Years**

[57] **CLAIM**

[21] Appl. No.: **26,968**

The ornamental design for an epilator, as shown.

[22] Filed: **Aug. 10, 1994**

**DESCRIPTION**

[30] **Foreign Application Priority Data**

FIG. 1 is a front, right side, top plan, perspective view showing my new design;  
FIG. 2 is a front elevational view thereof;  
FIG. 3 is a rear elevational view thereof;  
FIG. 4 is a right side elevational view thereof;  
FIG. 5 is a left side elevational view thereof;  
FIG. 6 is a top plan view thereof; and,  
FIG. 7 is a bottom plan view thereof.

Feb. 24, 1994 [WO] WIPO ..... DM/028 798

[52] **U.S. Cl.** ..... **D24/133**

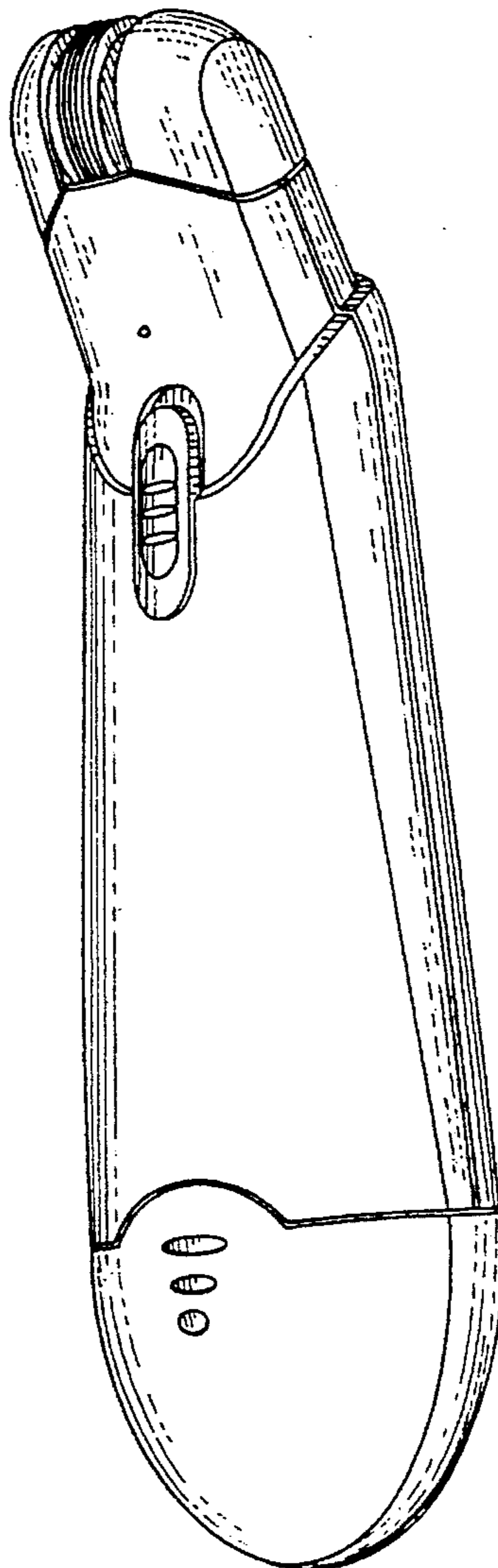
[58] **Field of Search** ..... D24/133; 606/133,  
606/131; D28/44, 10, 51

[56] **References Cited**

**U.S. PATENT DOCUMENTS**

D. 322,334 12/1991 Brun ..... D24/133 X

**1 Claim, 4 Drawing Sheets**



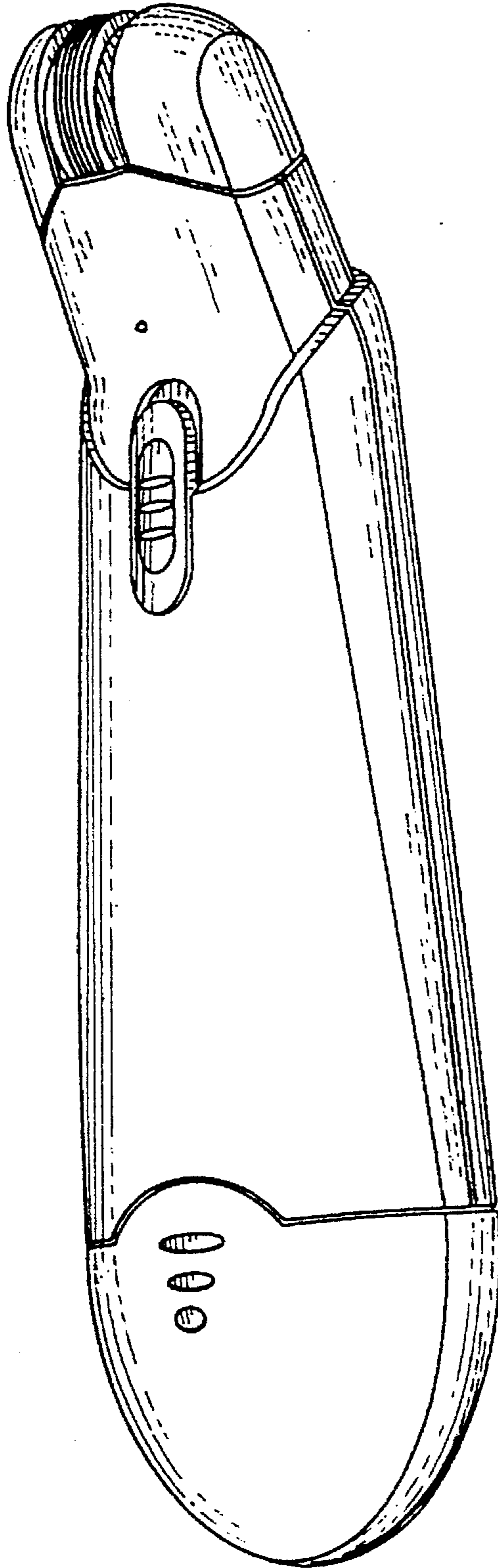


FIG. 1

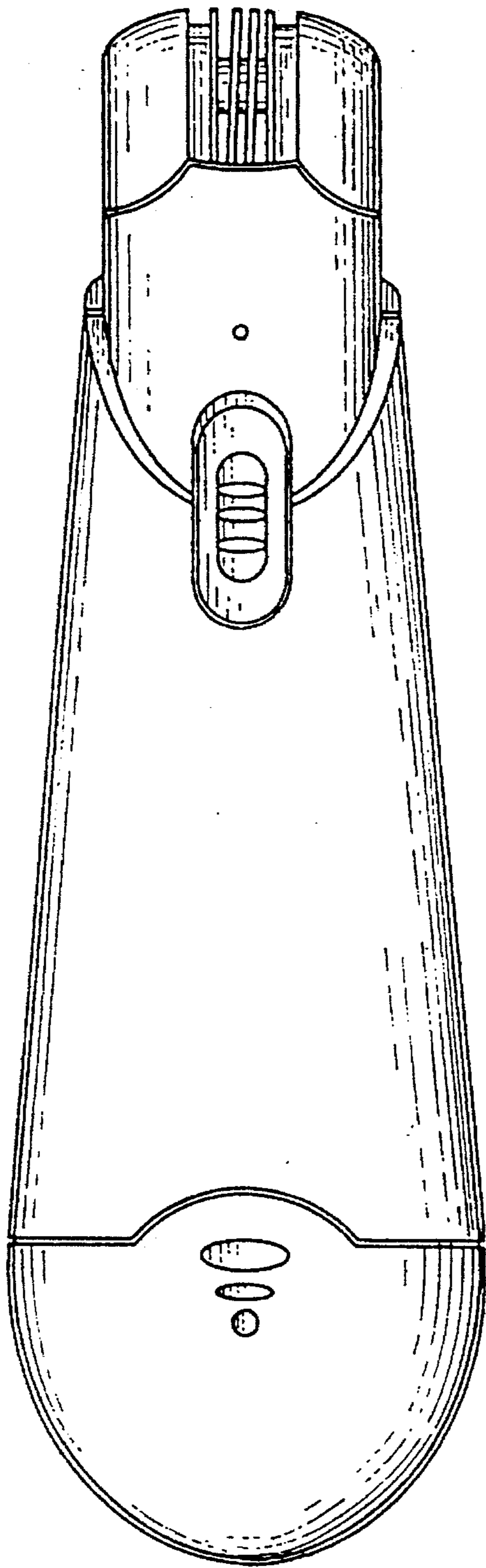


FIG. 2

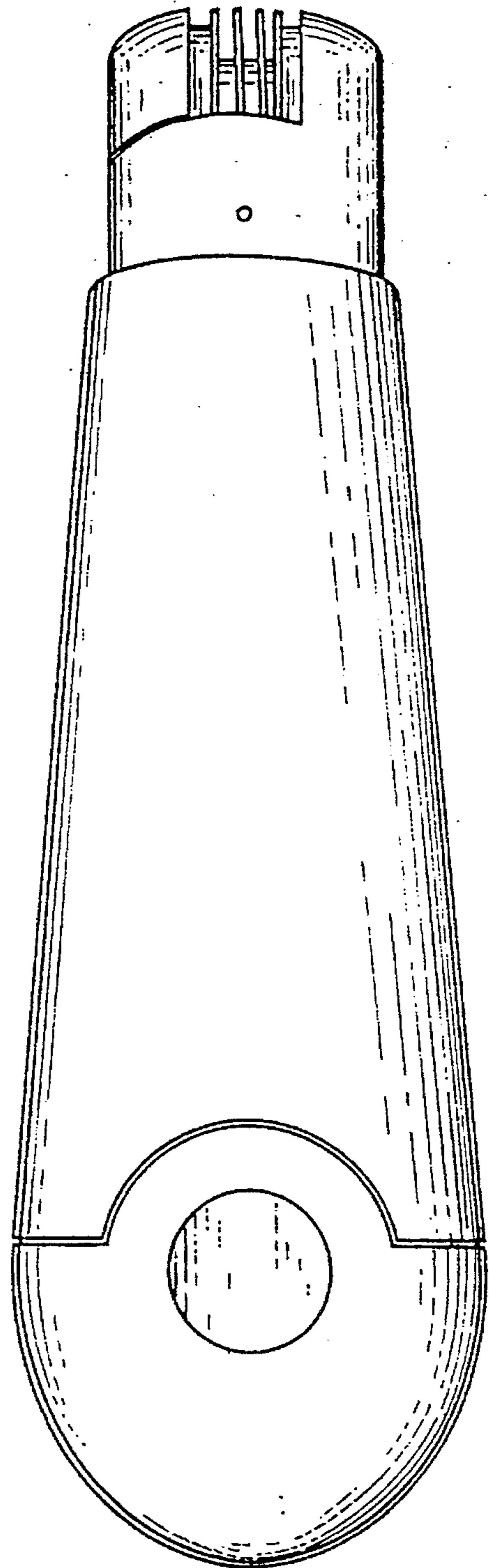


FIG. 3

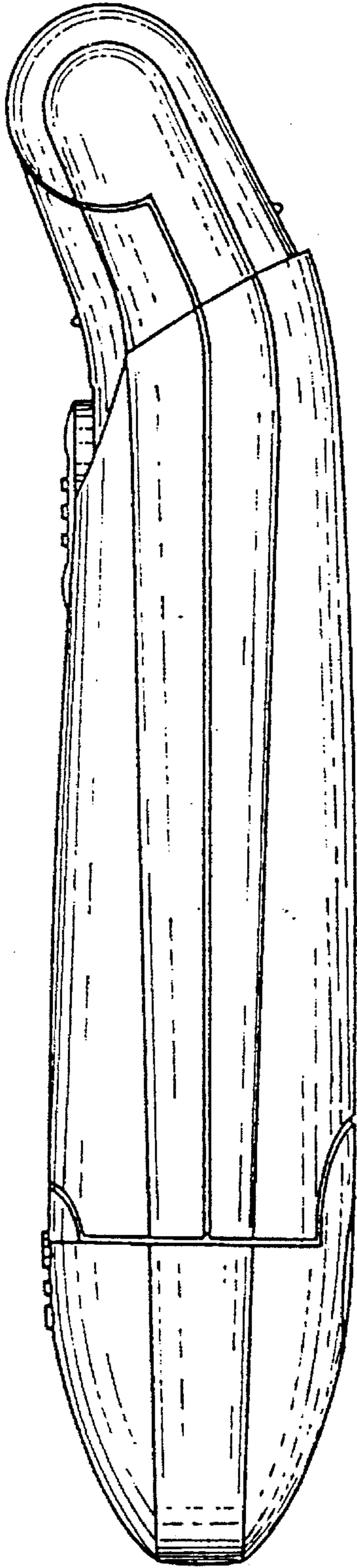


FIG. 4

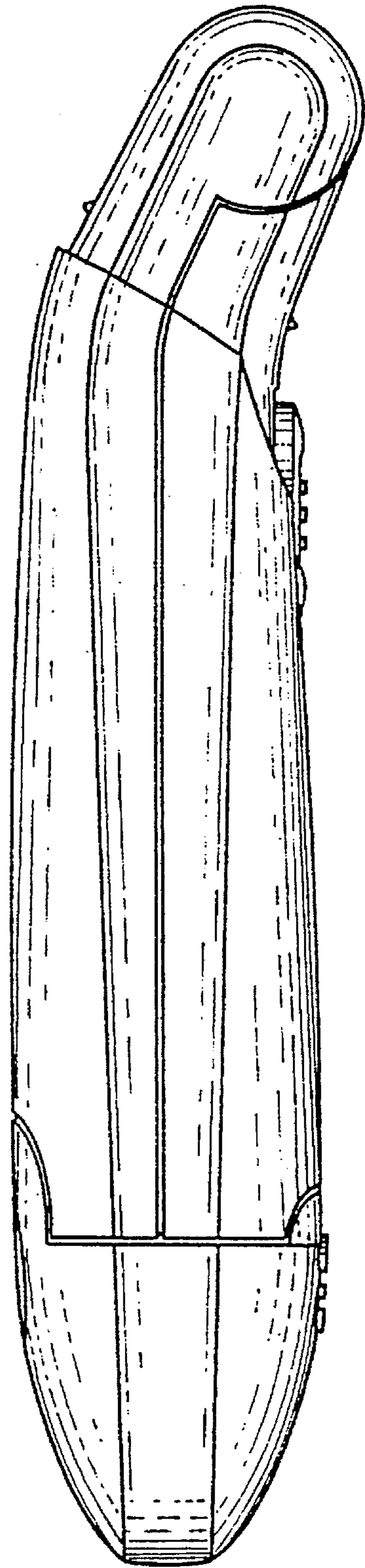


FIG. 5

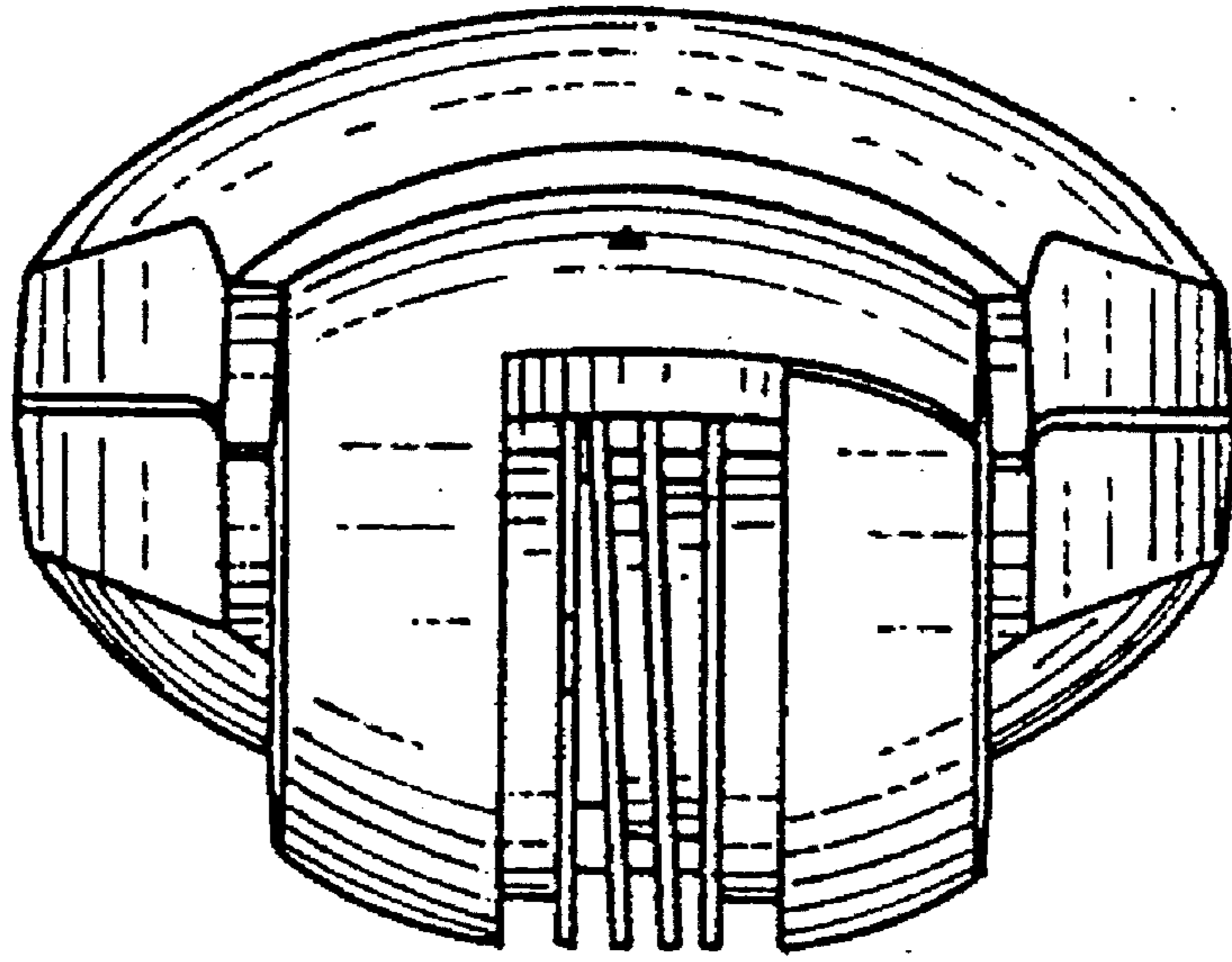


FIG. 6

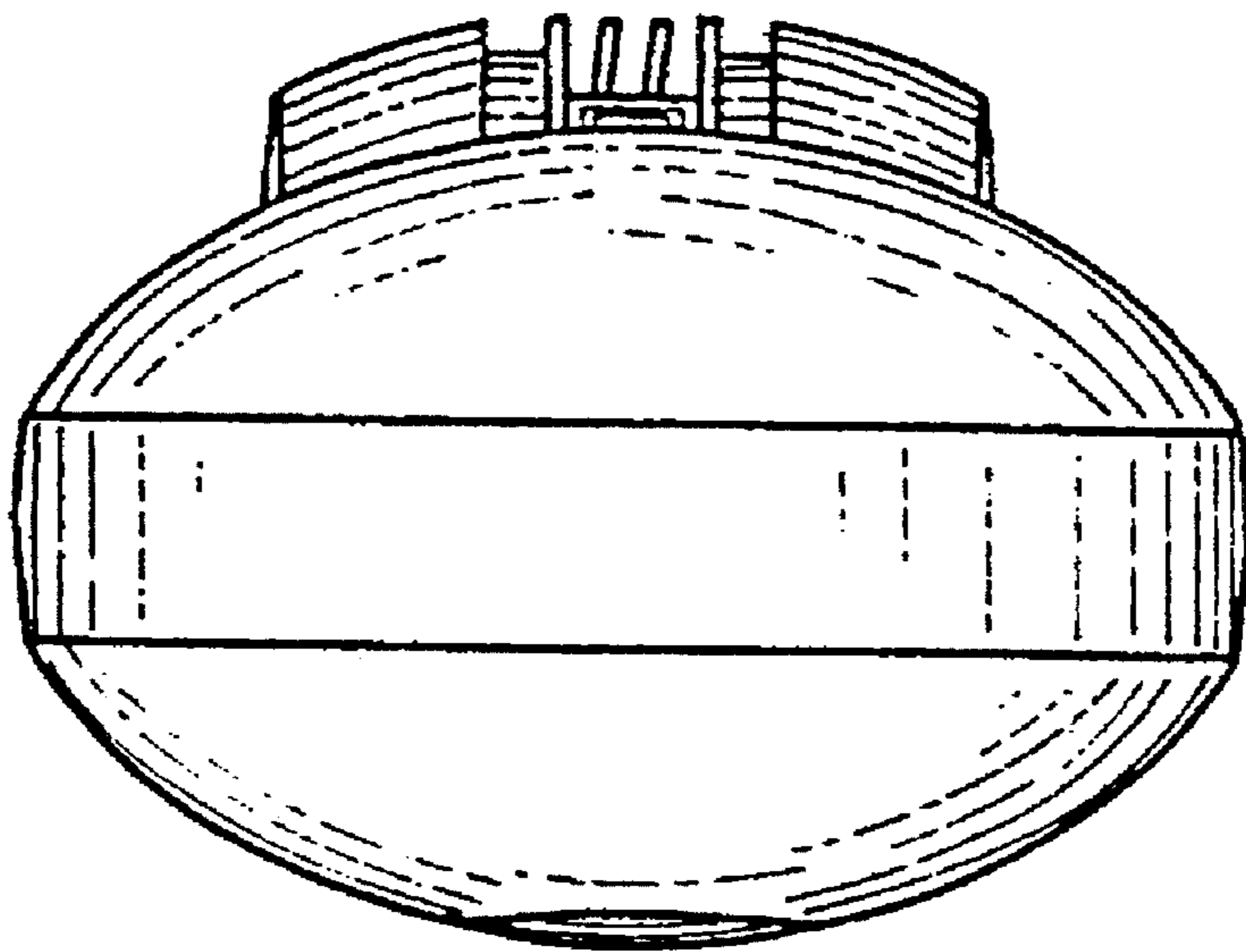


FIG. 7