



US00D364680S

United States Patent [19] Dye

[11] **Patent Number: Des. 364,680**
[45] **Date of Patent: *** Nov. 28, 1995**

[54] **CONNECTOR FOR APPLYING
COMPRESSIVE PRESSURE TO THE LEG**

[75] Inventor: **John F. Dye**, Bridgewater, Mass.

[73] Assignee: **The Kendall Company**, Mansfield, Mass.

[*] Notice: The portion of the term of this patent subsequent to Apr. 25, 2009, has been disclaimed.

[**] Term: **14 Years**

[21] Appl. No.: **21,941**

[22] Filed: **Apr. 26, 1994**

[52] U.S. Cl. **D24/129**

[58] **Field of Search** D24/129; 601/148, 601/149, 151, 150, 152, 153; 285/137.1, 305, 319, 26, 137.2

[56] **References Cited**

U.S. PATENT DOCUMENTS

4,076,279 2/1978 Klotz et al. 285/305 X

4,804,208	2/1989	Dye	285/26
4,900,065	2/1990	Houck	285/137.1 X
4,982,736	1/1991	Schneider	285/137.1 X
5,219,185	6/1993	Oddenino	285/26
5,233,974	8/1993	Senoue et al.	601/149
5,342,285	8/1993	Dye	601/151

Primary Examiner—Louis S. Zarfes
Assistant Examiner—I. Simmons
Attorney, Agent, or Firm—David J. Koris

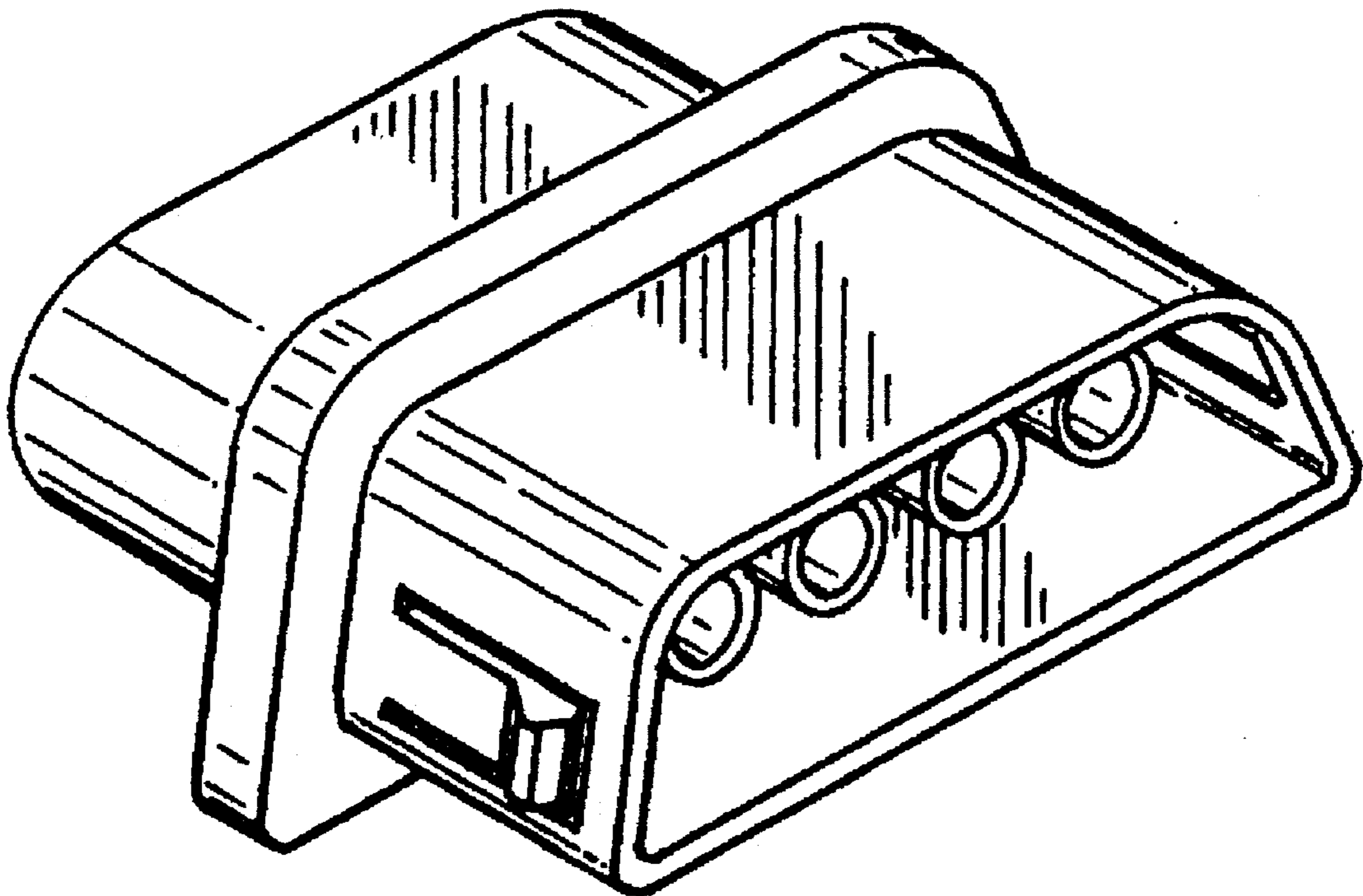
[57] **CLAIM**

The ornamental design for a connector for applying compressive pressure to the leg, as shown and described.

DESCRIPTION

FIG. 1 is a perspective view;
FIG. 2 is a top plan view;
FIG. 3 is a front elevation view;
FIG. 4 is a bottom plan view;
FIG. 5 is a side elevational view, the opposite side elevational view being a mirror image; and,
FIG. 6 is a back elevation view.

1 Claim, 1 Drawing Sheet



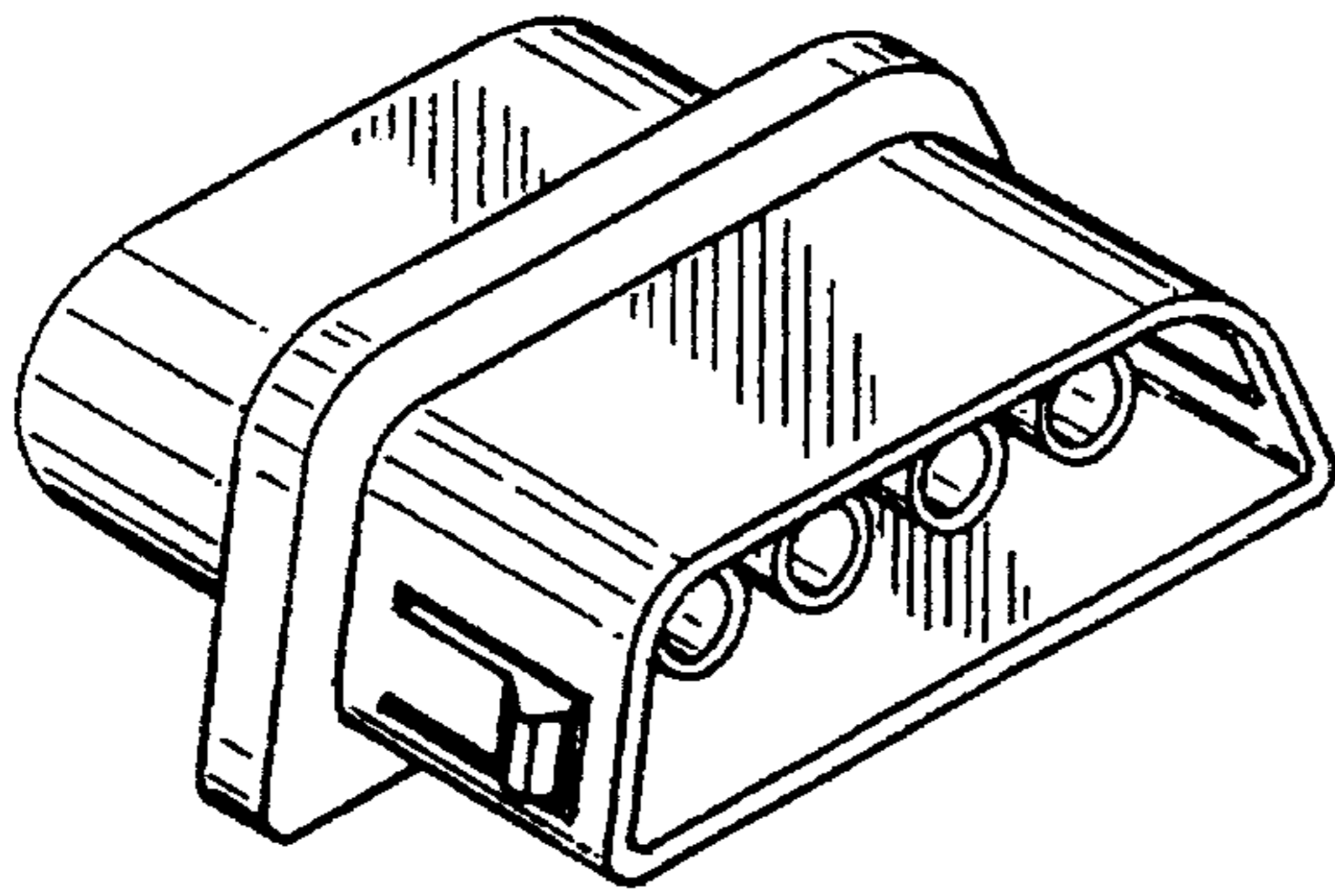


FIG. 1

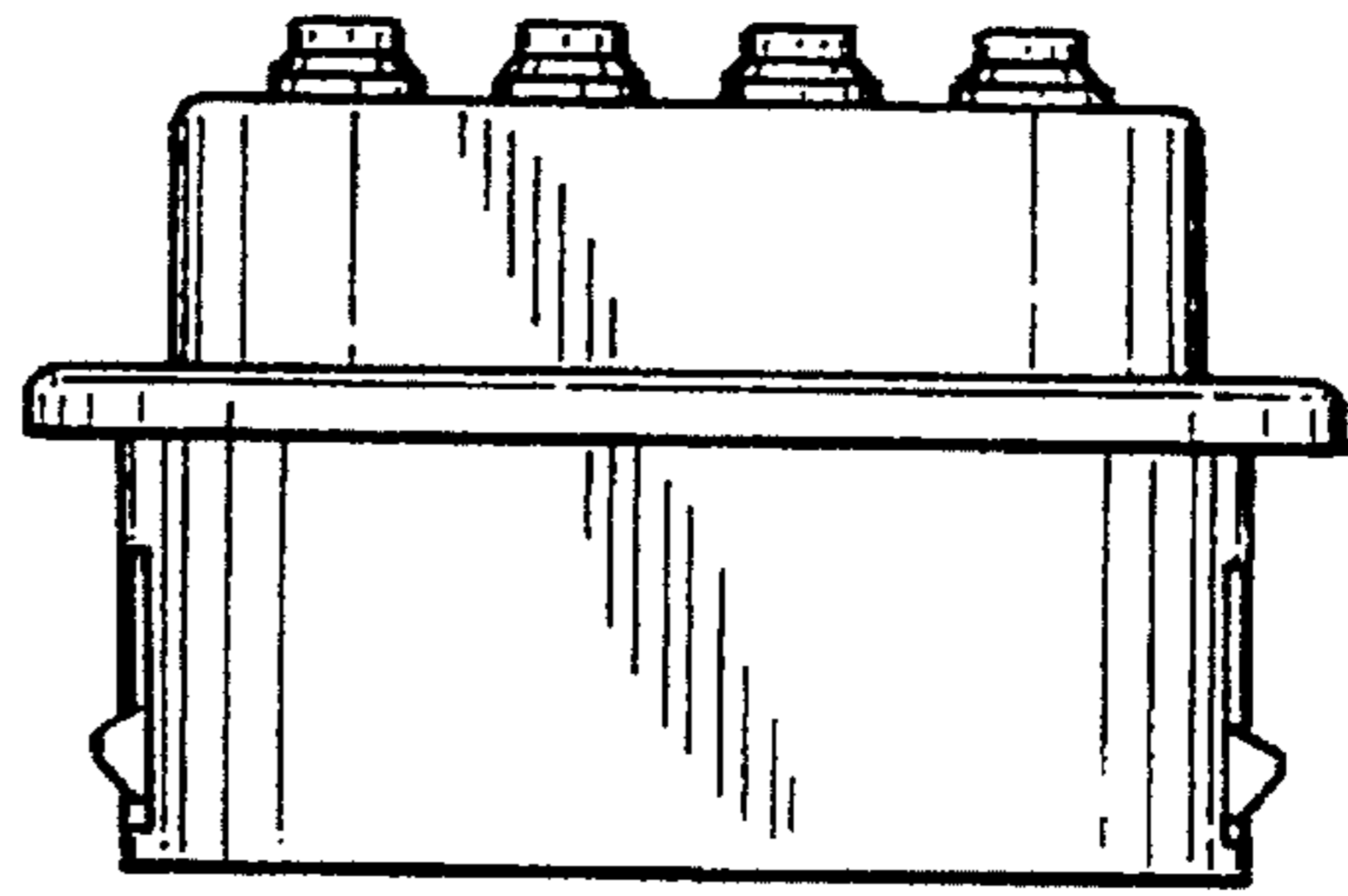


FIG. 2

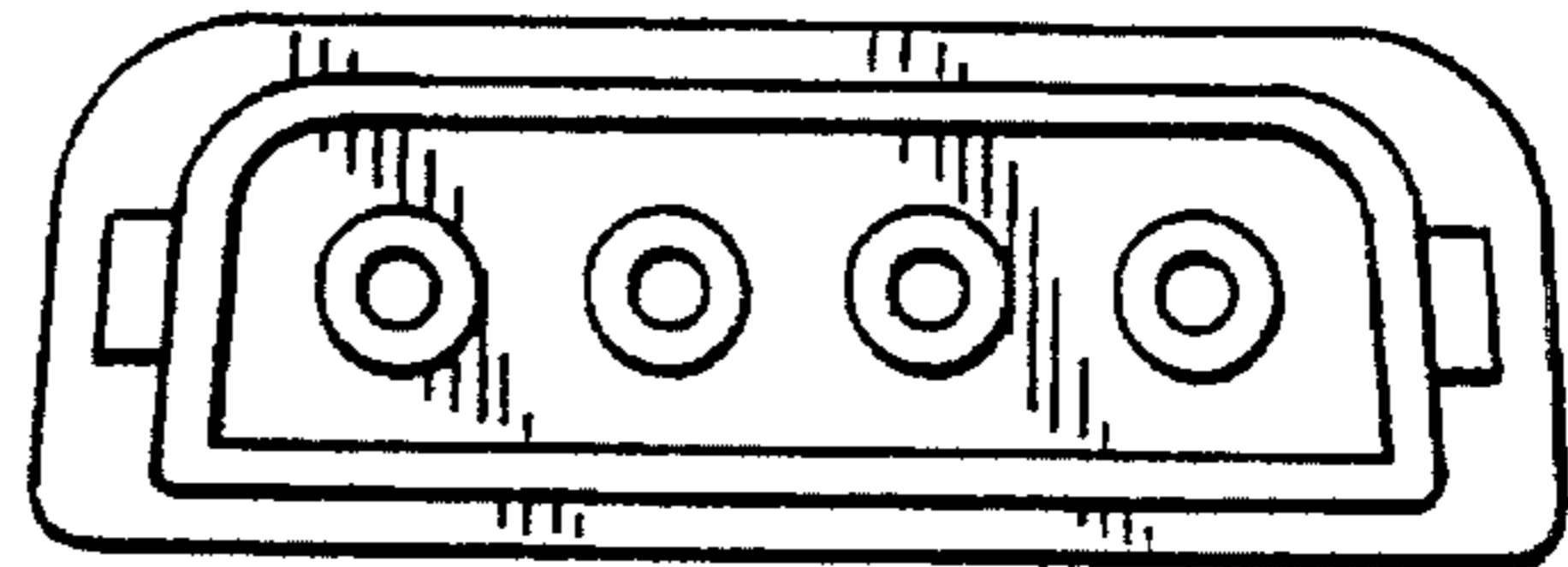


FIG. 3

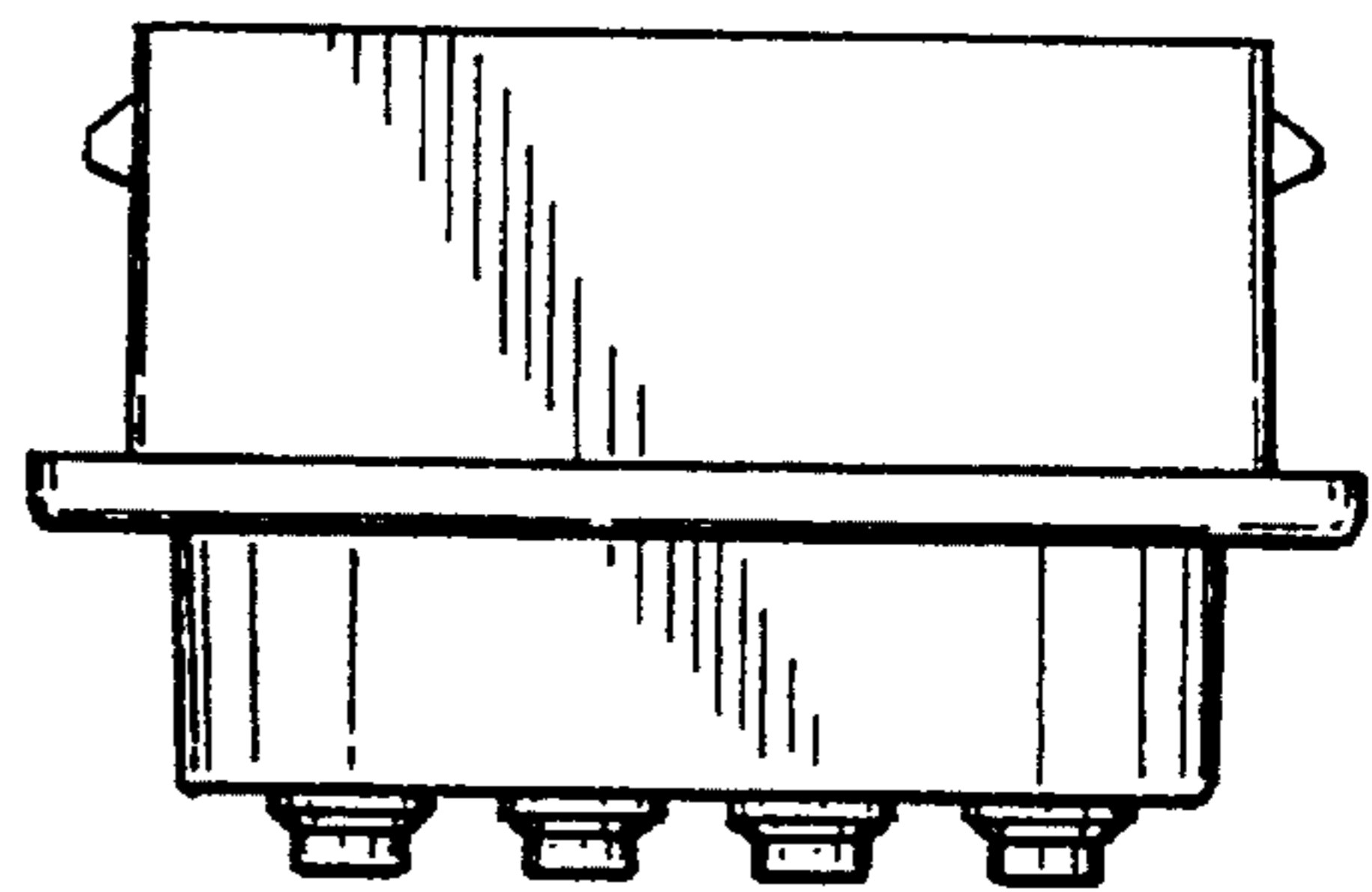


FIG. 4

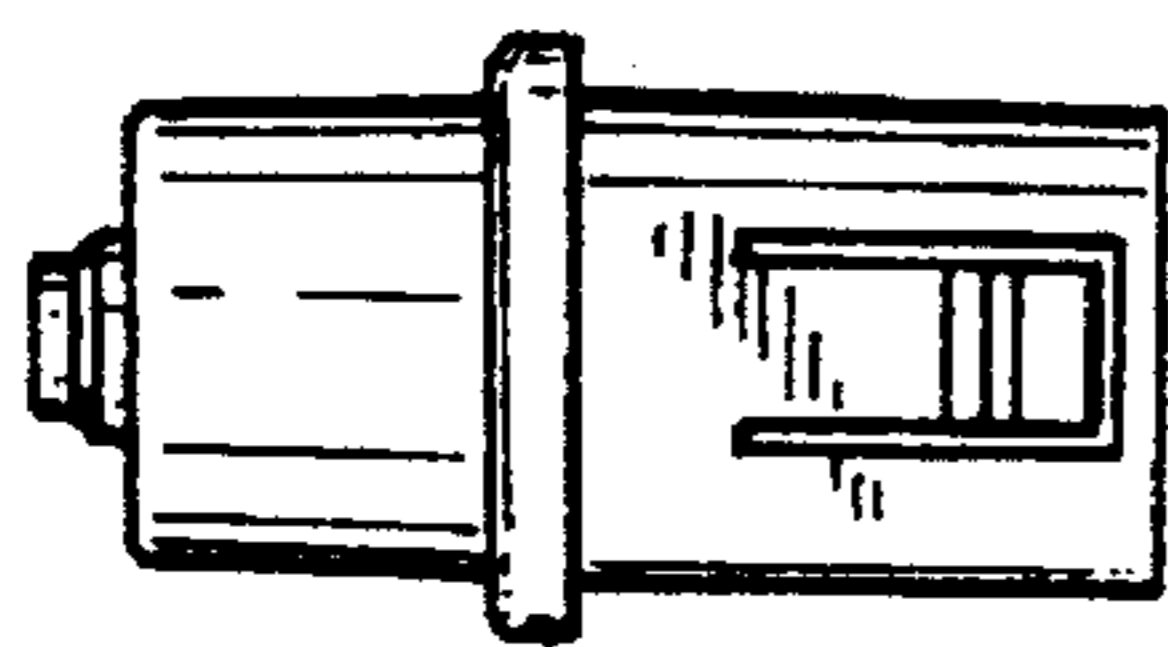


FIG. 5

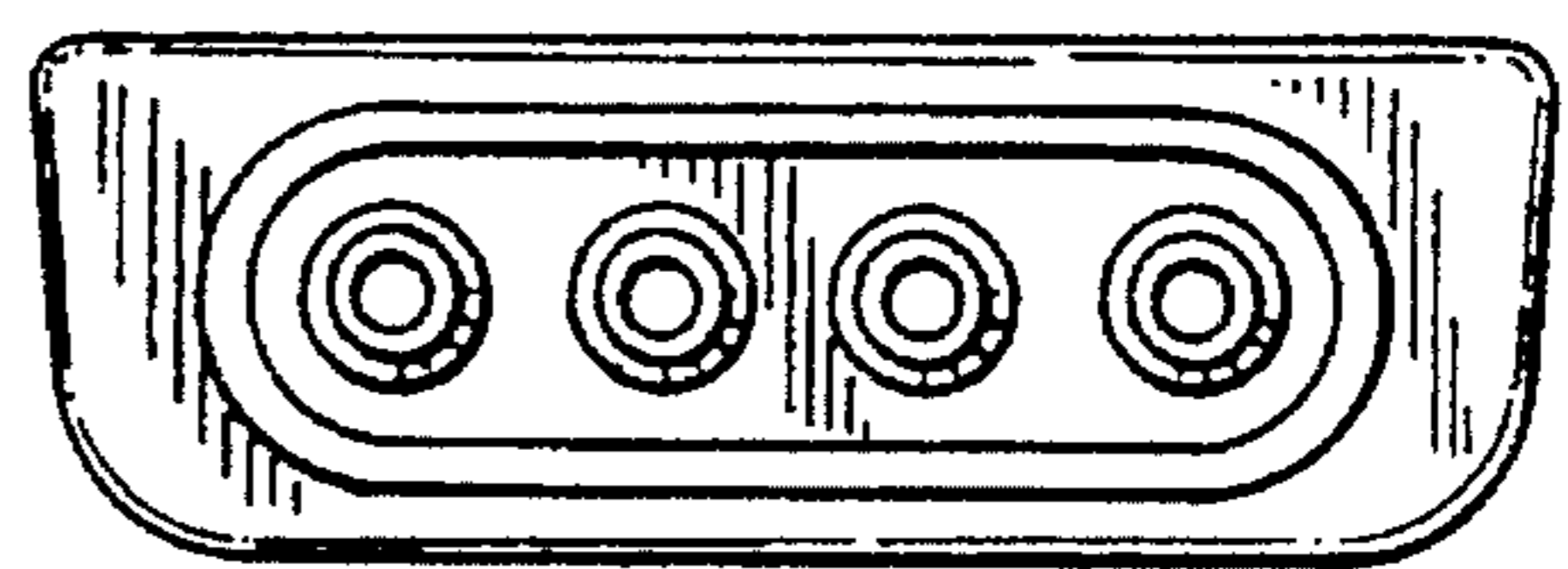


FIG. 6