



US00D364678S

# United States Patent [19]

[11] Patent Number: **Des. 364,678**

Lee

[45] Date of Patent: **\*\*Nov. 28, 1995**

[54] **COMBINED CEILING FAN AND LIGHT**

Hong Kong Enterprise Feb. 1994, p. 261, Ceiling Fan (B), bottom right side of page.

[76] Inventor: **Ching-Tan Lee**, No. 52 Lane 480, Section 2, Fenghsi Rd., Fengyuan, Taichung Hsien, Taiwan

*Primary Examiner*—Lisa P. Lichtenstein  
*Attorney, Agent, or Firm*—Morton J. Rosenberg; David I. Klein

[\*\*] Term: **14 Years**

[21] Appl. No.: **39,441**

### [57] CLAIM

[22] Filed: **May 31, 1995**

The ornamental design for a combined ceiling fan and light, as shown.

[52] U.S. Cl. .... **D23/377; D23/379; D23/385**

[58] Field of Search ..... **D23/377, 379, D23/385, 411, 413; 416/5; 362/96; 392/364; D26/88, 59, 81-86, 51, 72**

### DESCRIPTION

### [56] References Cited

#### U.S. PATENT DOCUMENTS

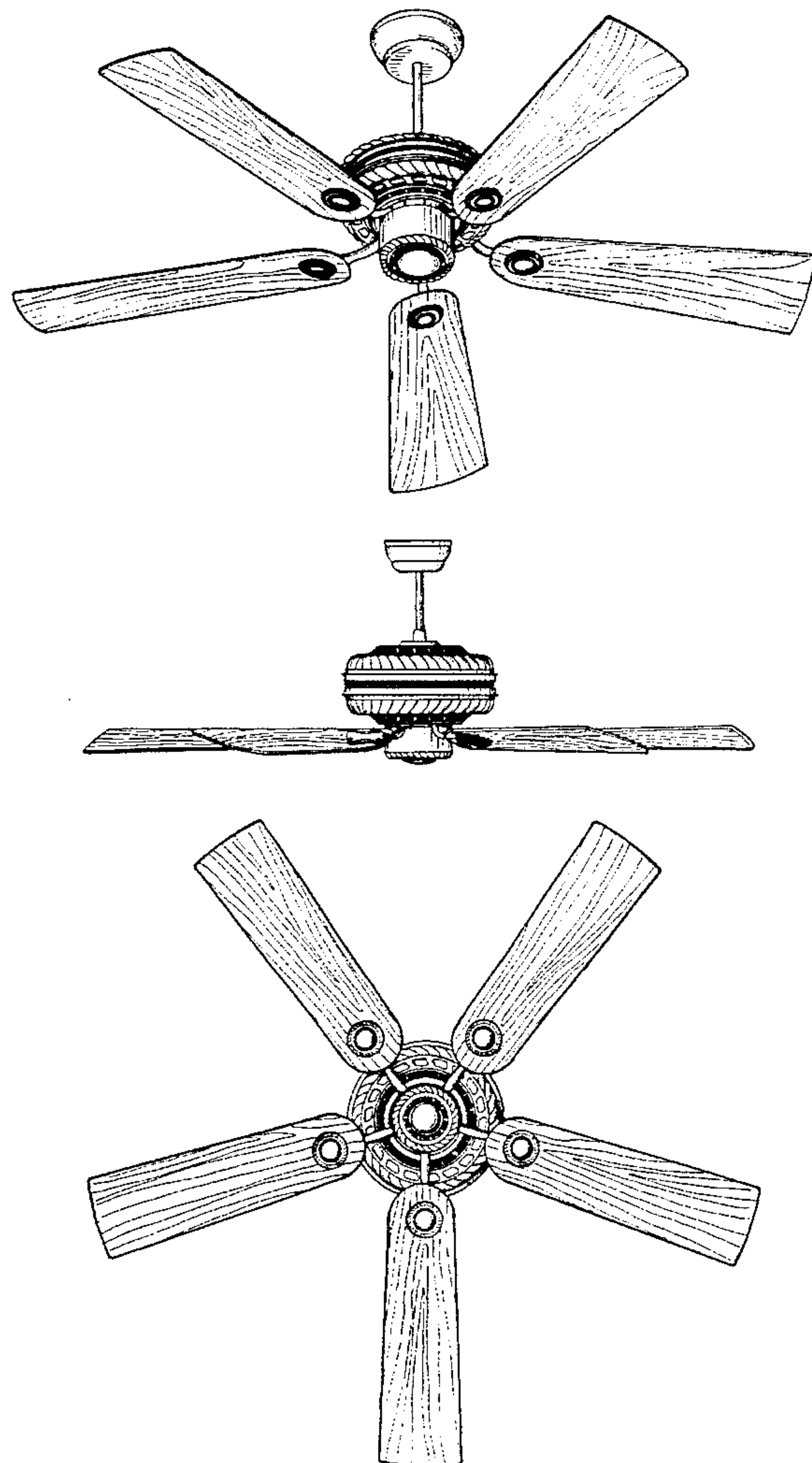
- D. 339,191 9/1993 Vieyra ..... D23/377
- D. 346,209 4/1994 Holbrook ..... D23/377
- D. 347,685 6/1994 DiPasquale ..... D23/377

FIG. 1 is a front-bottom perspective view of a combined ceiling fan and light, showing my new design;  
 FIG. 2 is a front elevational view thereof;  
 FIG. 3 is a rear elevational view thereof;  
 FIG. 4 is a top plan view thereof;  
 FIG. 5 is a bottom plan view thereof;  
 FIG. 6 is a left elevational view thereof; and,  
 FIG. 7 is a right elevational view thereof.

#### OTHER PUBLICATIONS

Hunter Fan Co. Williamsburg Collection Cat., © 1987, p. 2., Ceiling Fan (A), D23 Ceiling Fan Cat. Box.

**1 Claim, 7 Drawing Sheets**



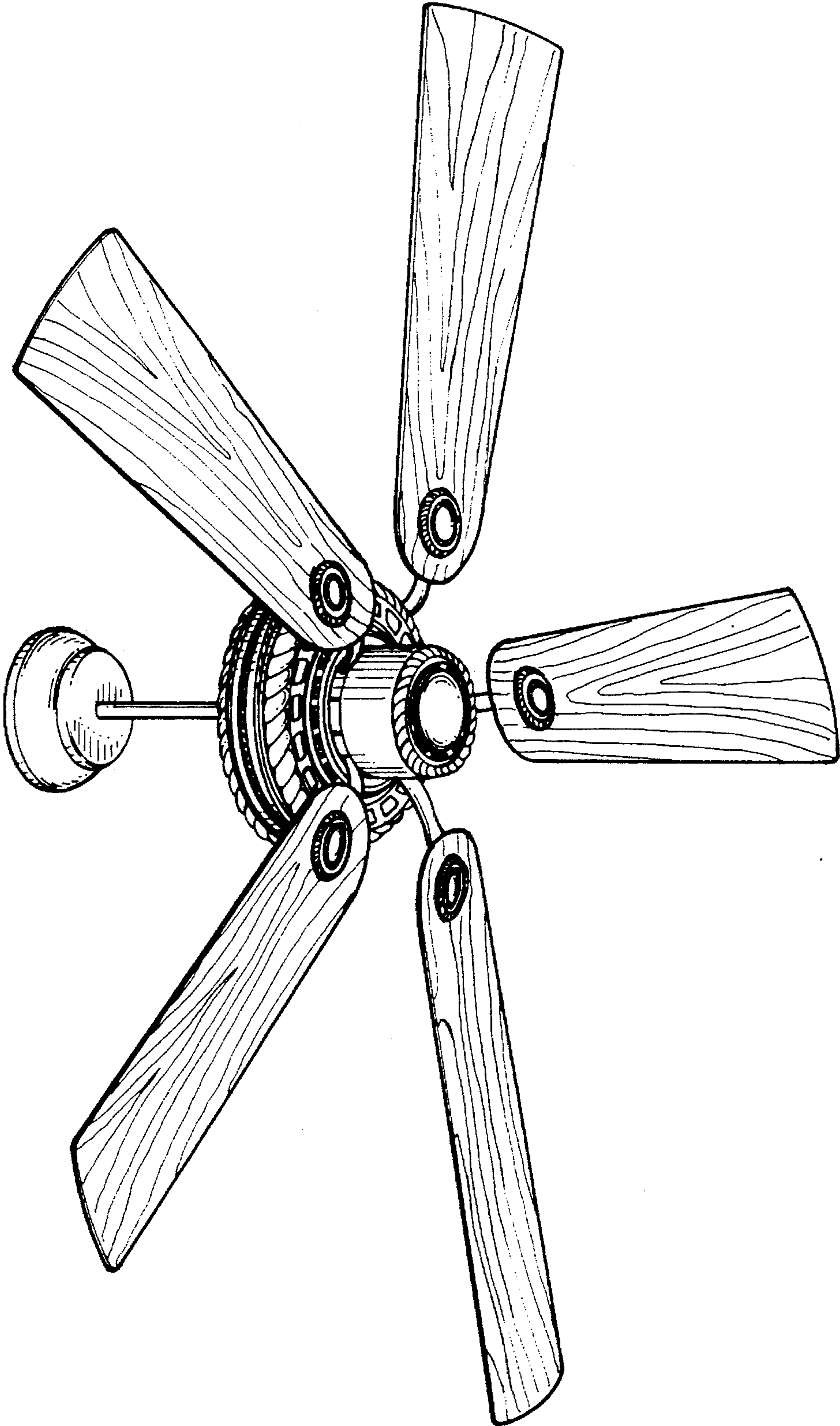


FIG. 1

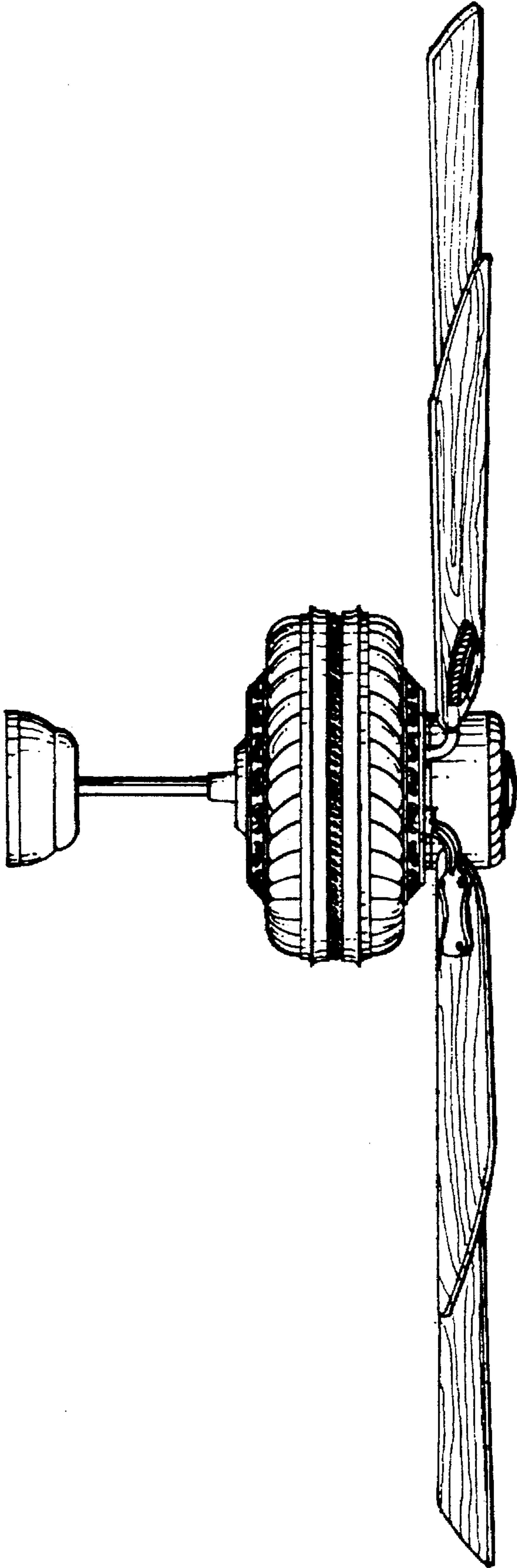


FIG. 2

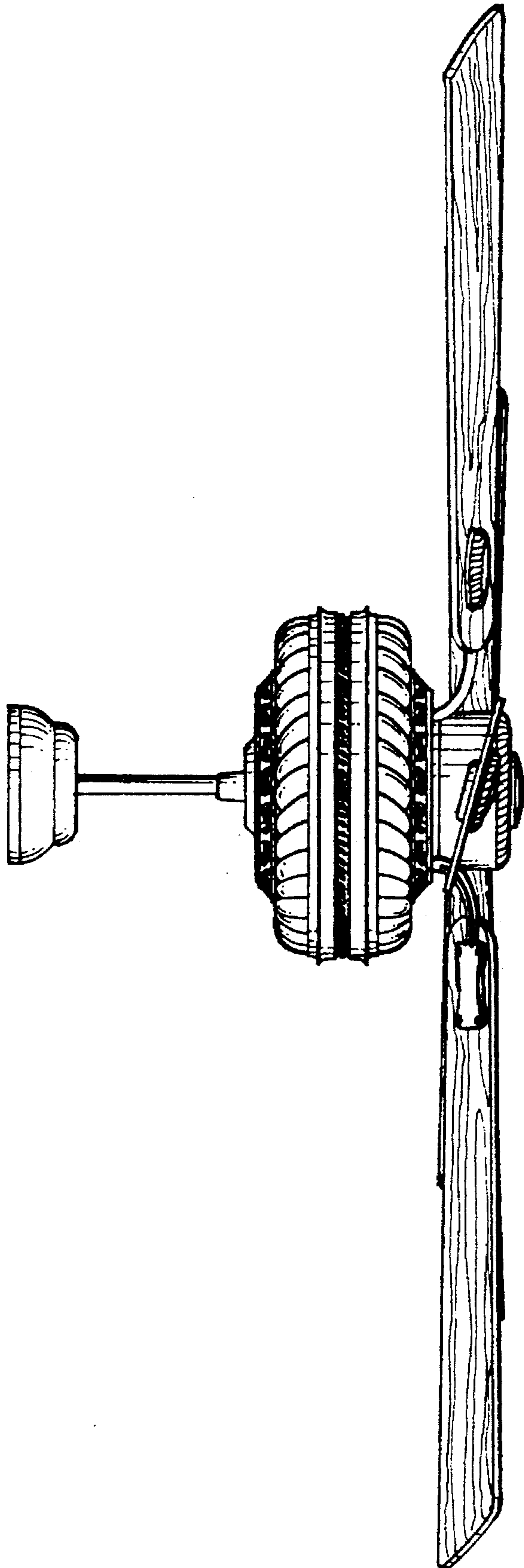


FIG. 3



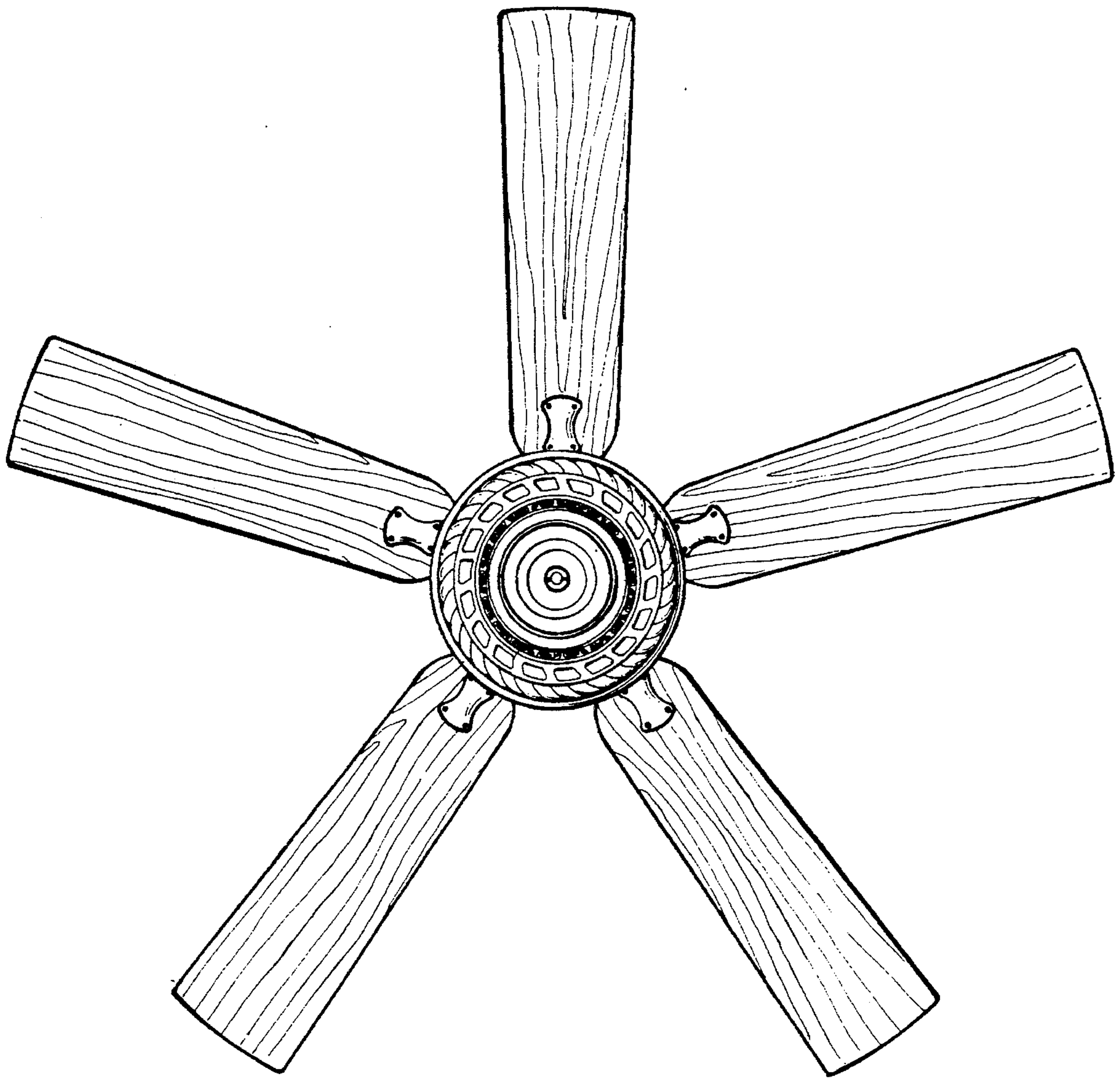


FIG. 4

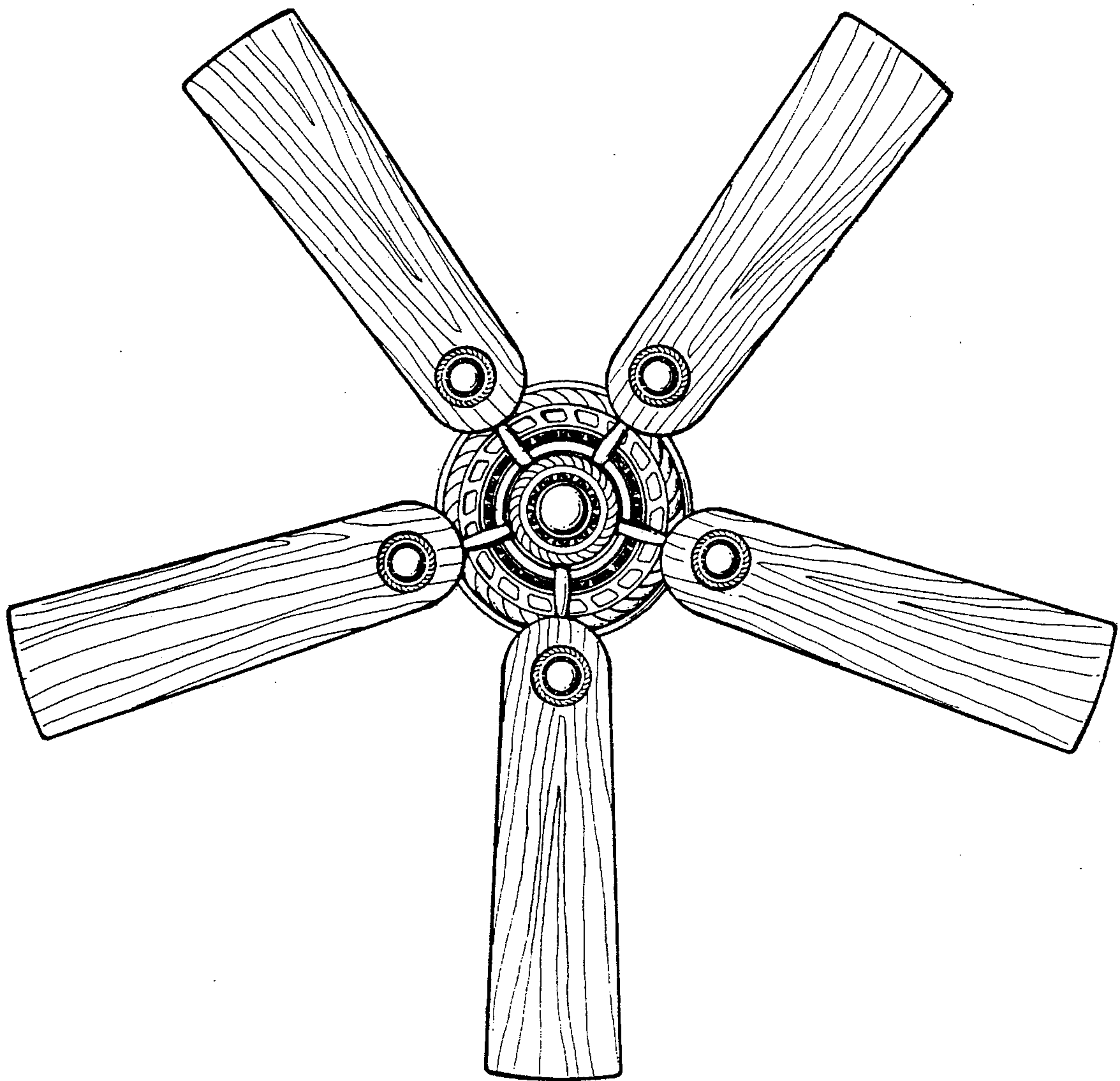


FIG. 5

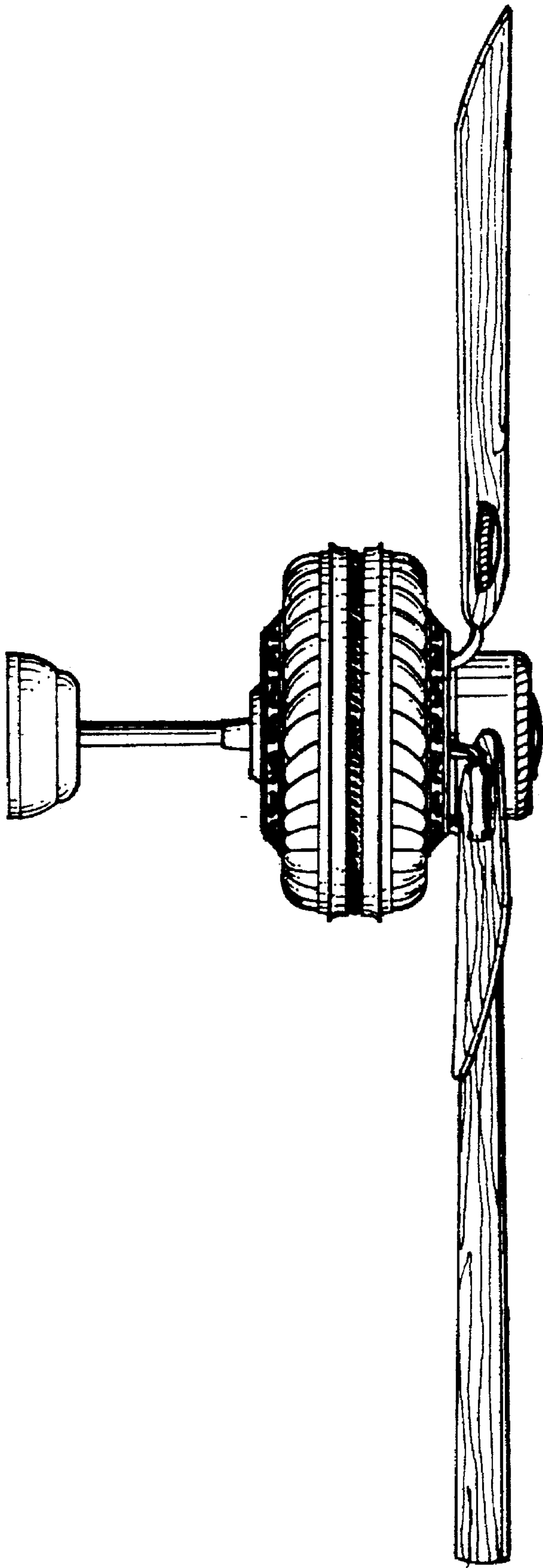


FIG. 6

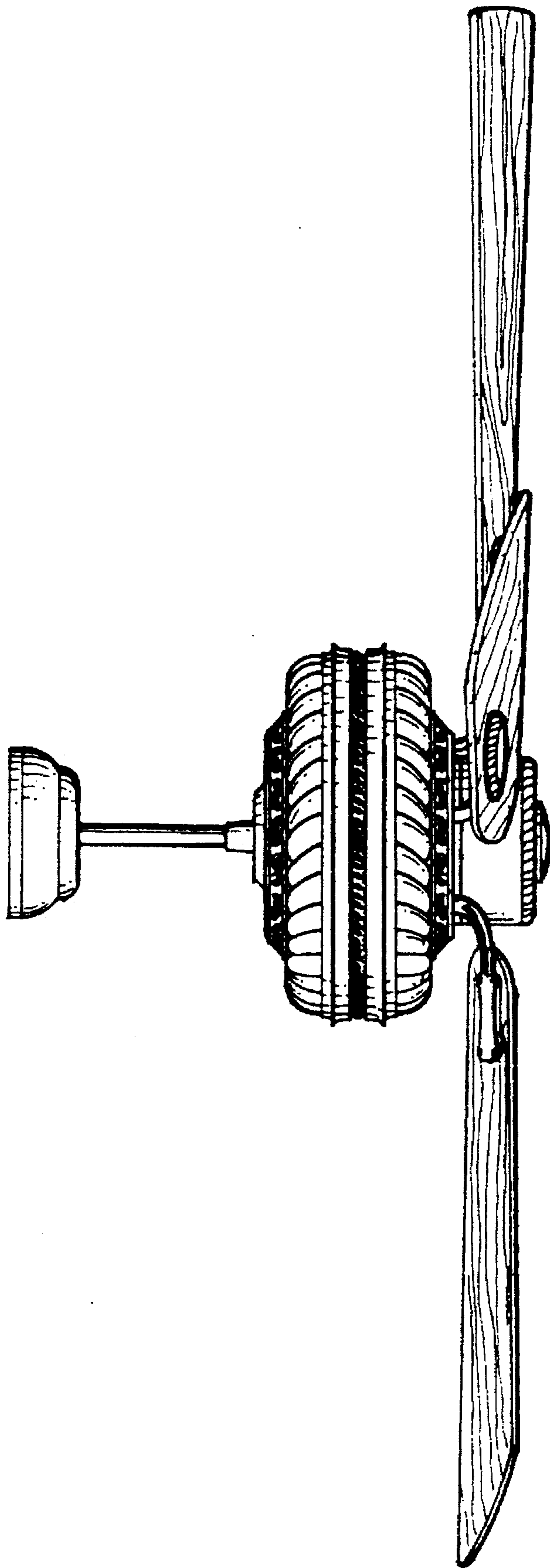


FIG. 7