



US00D364676S

United States Patent [19]

[11] Patent Number: **Des. 364,676**

Chiu et al.

[45] Date of Patent: ****Nov. 28, 1995**

[54] **COOL MIST IMPELLER HUMIDIFIER**

2,874,797 2/1959 Flury 261/91
3,188,007 6/1965 Myklebust D23/356

[75] Inventors: **Bernard Chiu**, Wellesley; **John Longan**, Natick, both of Mass.; **Robert L. Marvin, Jr.**, Farmington, Conn.

Primary Examiner—Lisa P. Lichtenstein
Attorney, Agent, or Firm—John E. Toupal; Harold G. Jarcho

[73] Assignee: **Duracraft Corporation**, Whitinsville, Mass.

[57] CLAIM

[**] Term: **14 Years**

The ornamental design for a cool mist impeller humidifier, as shown and described.

[21] Appl. No.: **33,302**

DESCRIPTION

[22] Filed: **Jan. 9, 1995**

[52] U.S. Cl. **D23/356; D23/362**

[58] Field of Search **D23/356-363; 261/91; 392/403-406, 394**

FIG. 1 is a front, right side and top perspective view of a cool mist impeller humidifier;

FIG. 2 is a right side elevational view thereof; The left side elevation is a mirror image of the right side elevation;

FIG. 3 is a front elevational view thereof;

FIG. 4 is a rear elevational view thereof;

FIG. 5 is a top plan view thereof; and,

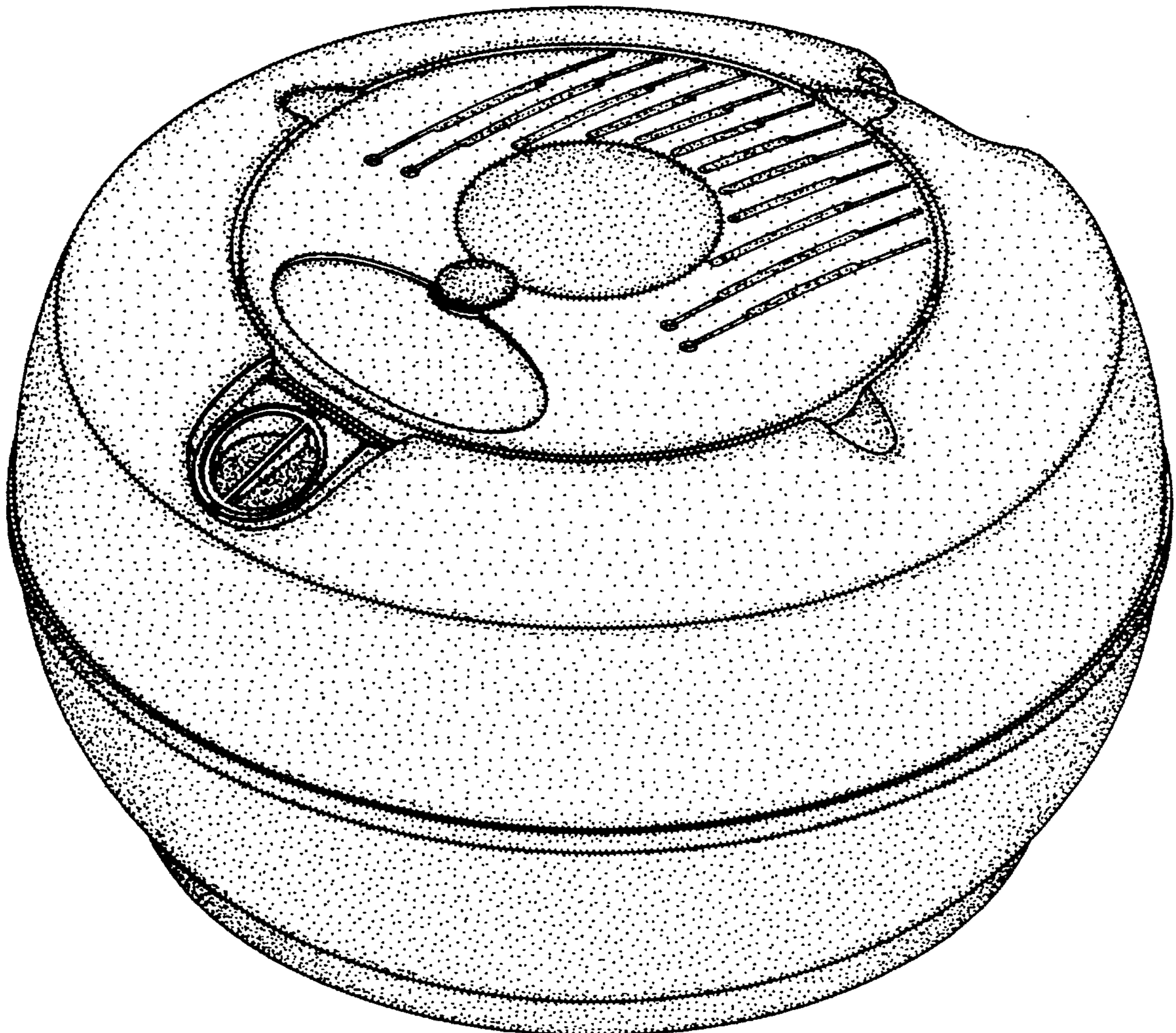
FIG. 6 is a bottom plan view thereof.

[56] References Cited

U.S. PATENT DOCUMENTS

D. 102,782 1/1937 Heller D23/256
D. 235,450 6/1975 Chapman D23/359

1 Claim, 4 Drawing Sheets



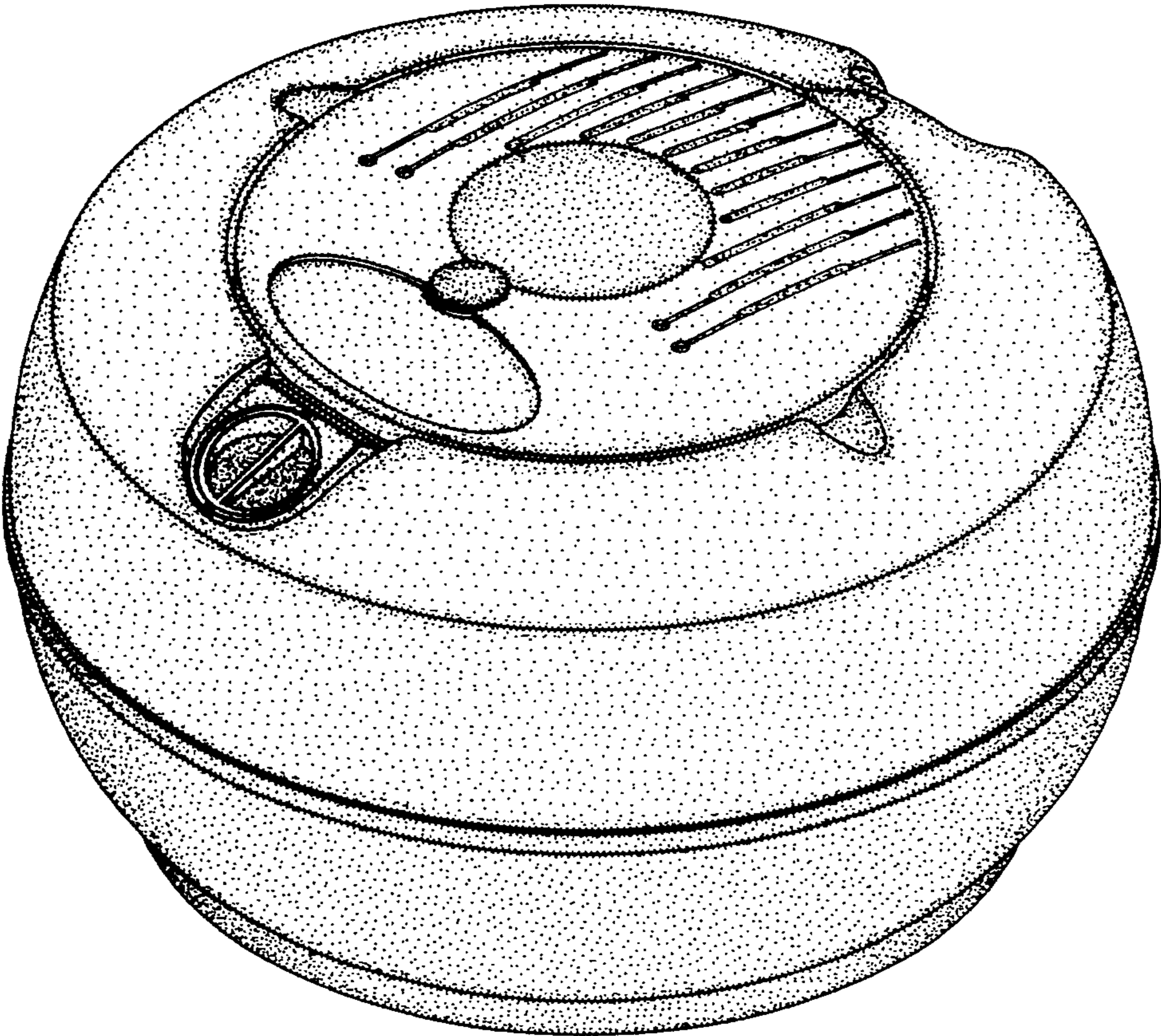


FIG. 1

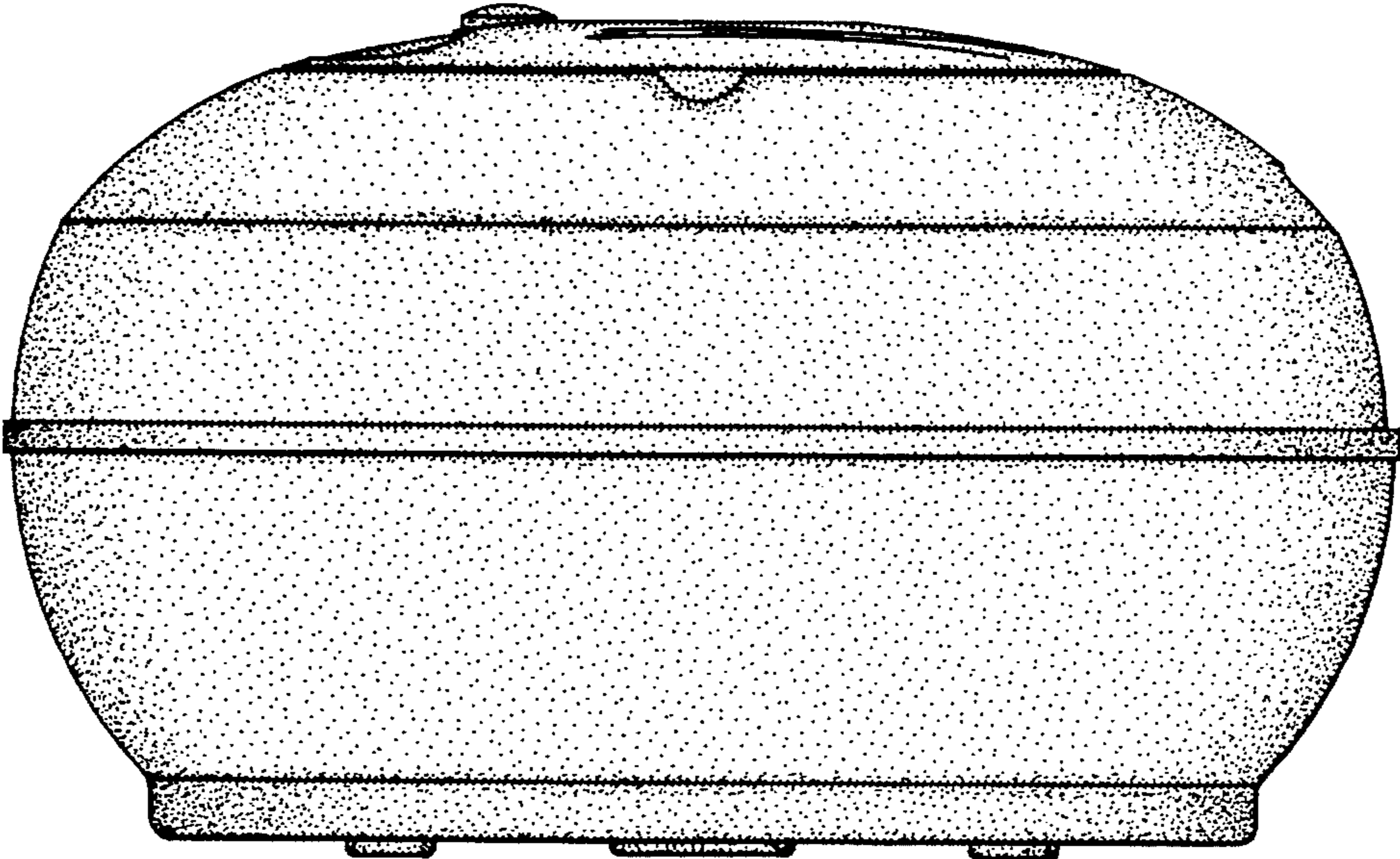


FIG. 2

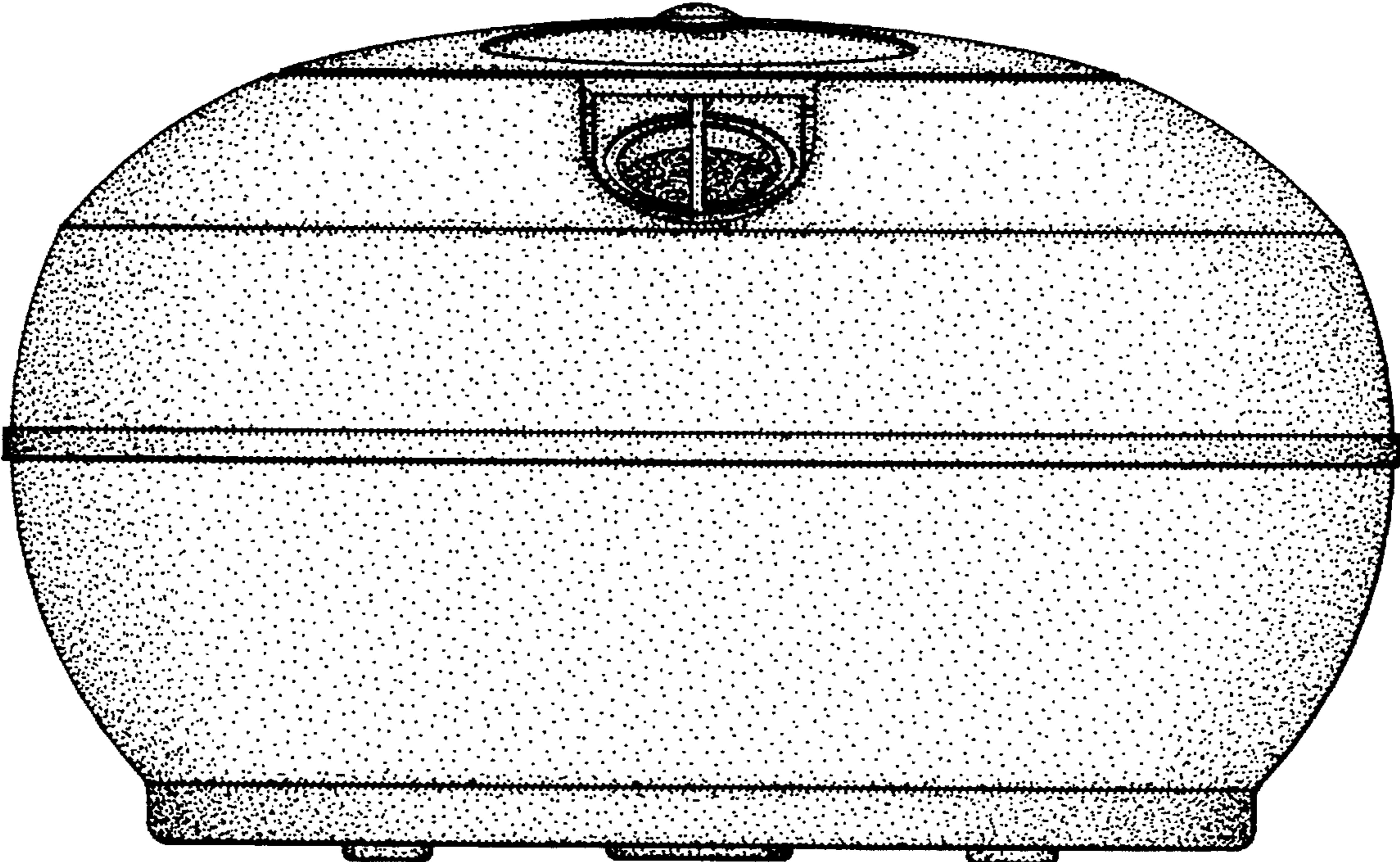


FIG. 3

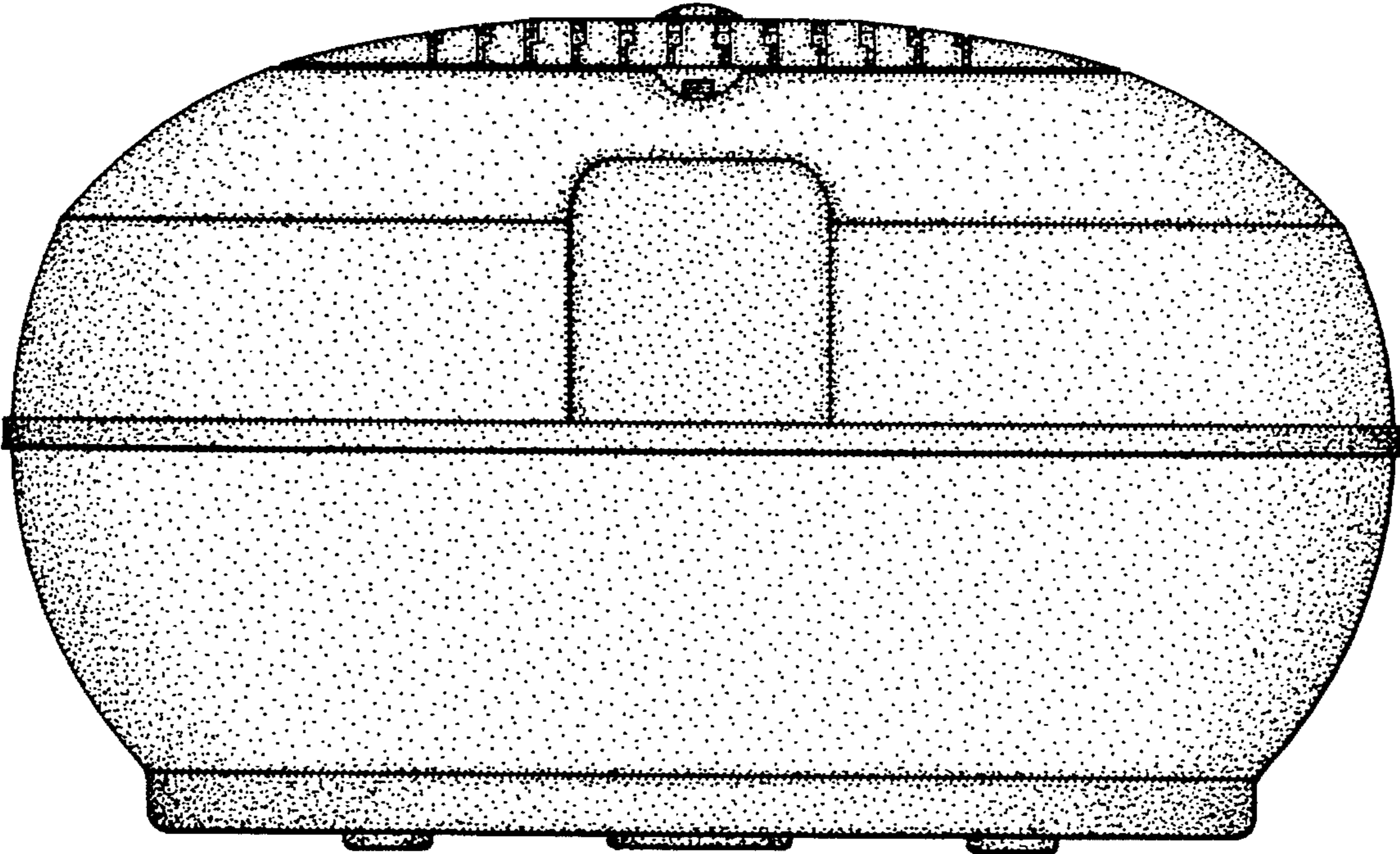


FIG. 4

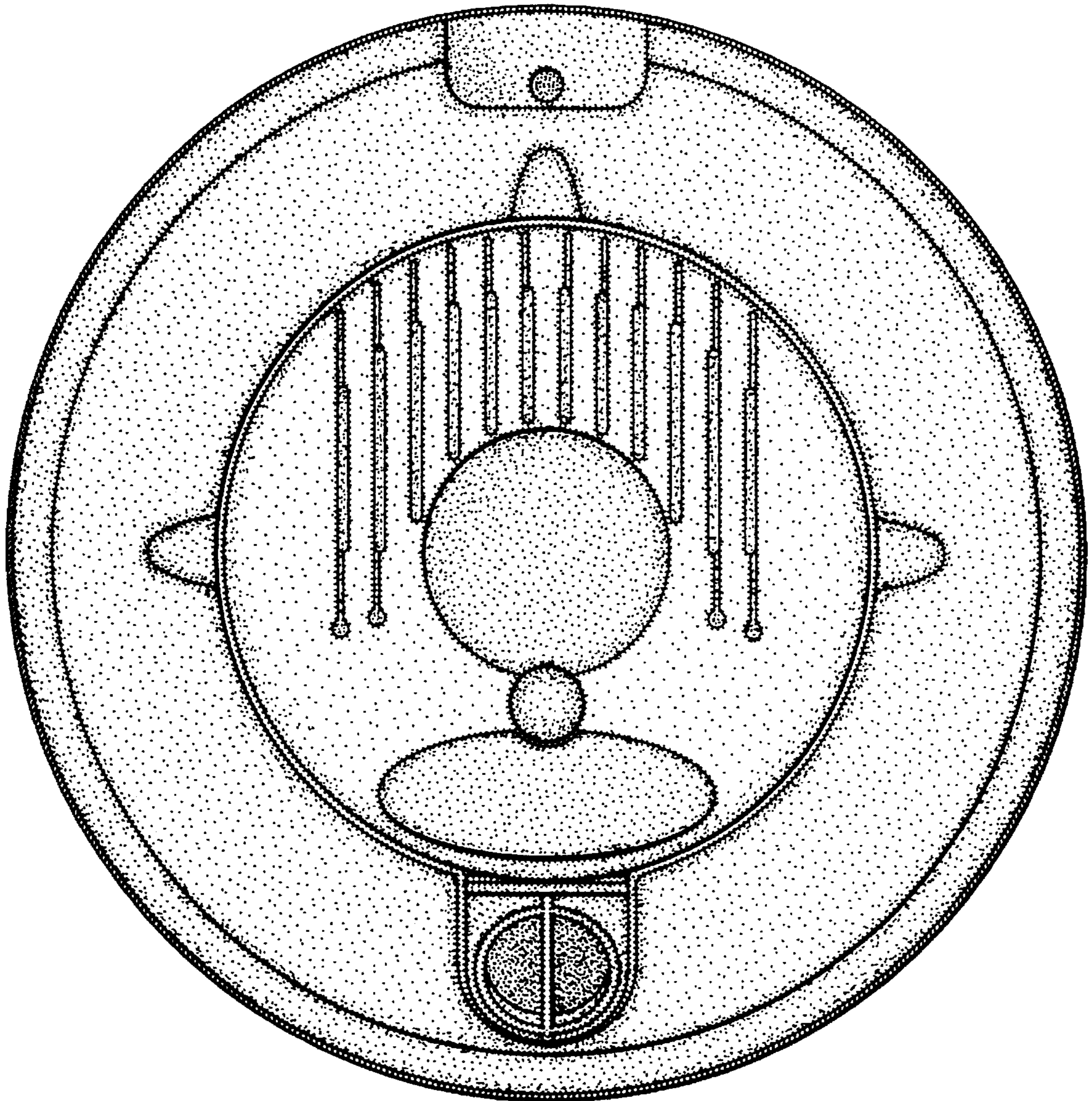


FIG. 5

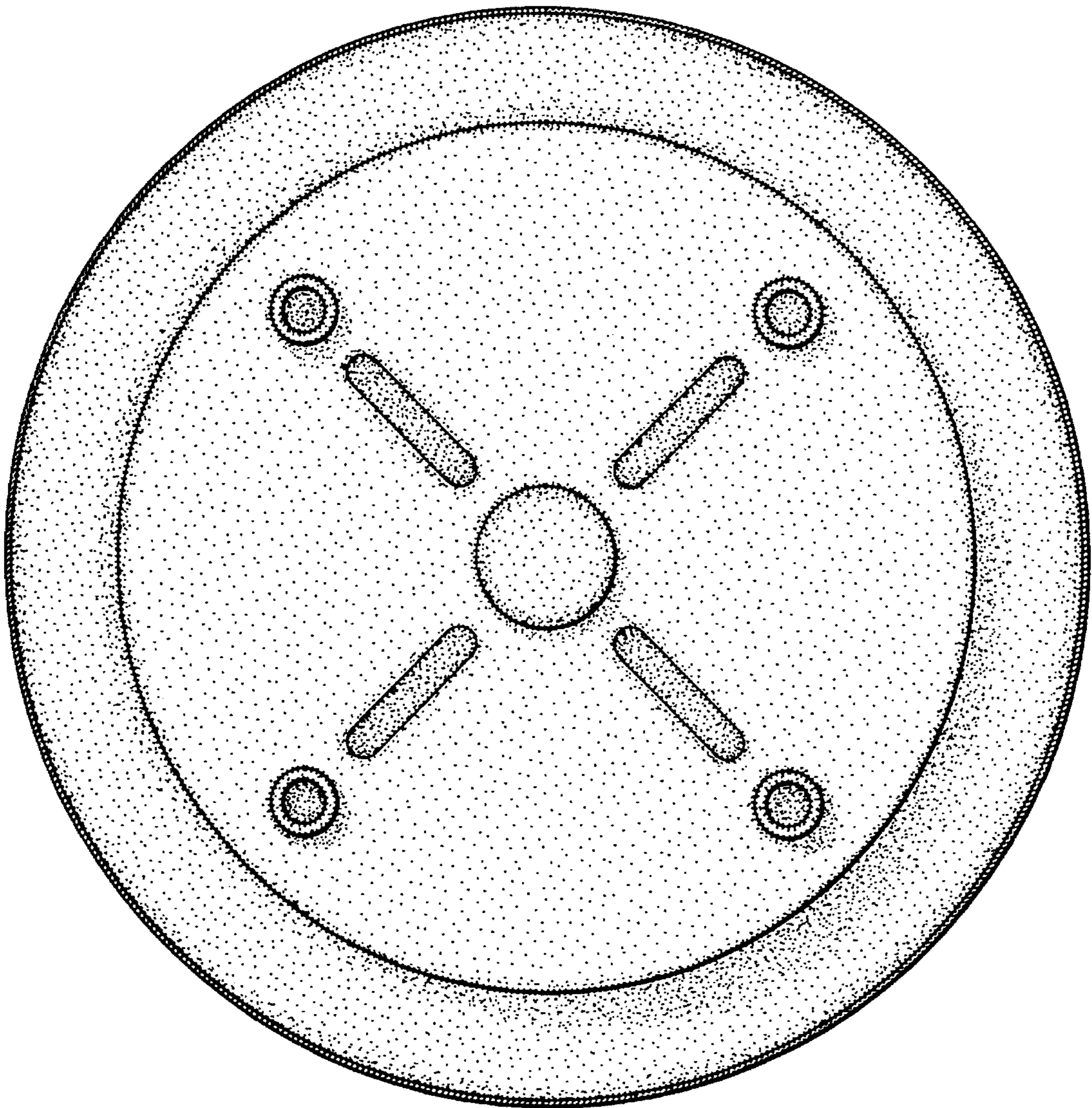


FIG. 6