



US00D364675S

United States Patent [19]

[11] Patent Number: **Des. 364,675**

Tebbe

[45] Date of Patent: ****Nov. 28, 1995**

[54] **DOUBLE BOWL WASH BASIN**

[76] Inventor: **Sharon M. Tebbe**, 5299 Banker Dr.,
Fairfield, Ohio 45014

[**] Term: **14 Years**

[21] Appl. No.: **880,990**

[22] Filed: **May 11, 1992**

[52] U.S. Cl. **D23/290**

[58] Field of Search D23/284-294,
D23/270, 484; D24/123, 227, 229; 4/619,
621, 622, 639, 640

D. 234,201	1/1975	Stairs, Jr.	D23/290
759,696	5/1904	Gordon .	
907,261	12/1908	Martin .	
1,512,068	10/1924	Thornburg	D23/278 X
2,594,938	4/1952	Leavitt .	
3,069,694	12/1962	McCormack .	
3,427,664	2/1969	Musteo	4/640

Primary Examiner—Louis S. Zarfaz
Assistant Examiner—Eric Watterson
Attorney, Agent, or Firm—Charles R. Wilson

[57] CLAIM

The ornamental design for a double bowl wash basin, as shown and described.

DESCRIPTION

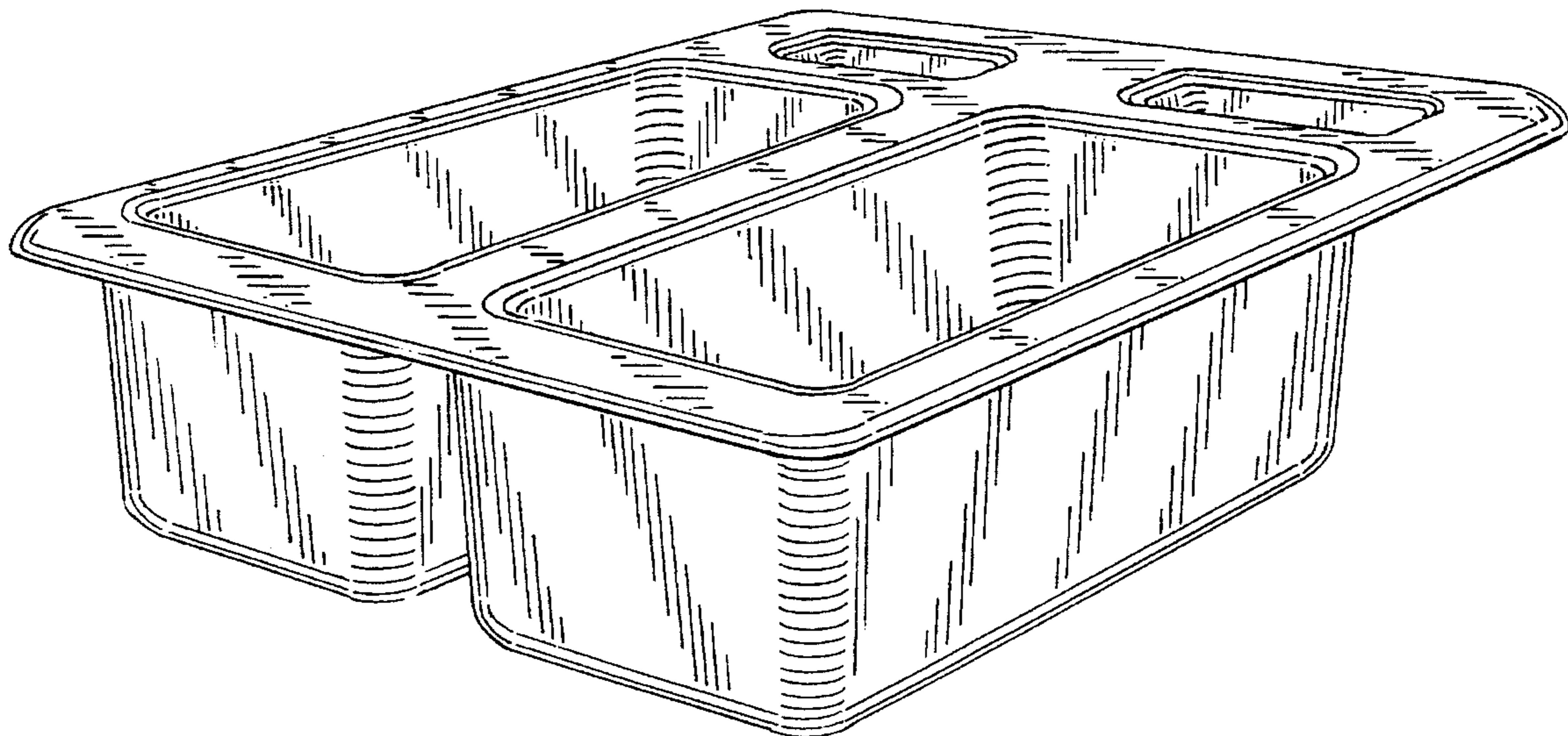
FIG. 1 is a perspective view of a double bowl wash basin showing my new design;
FIG. 2 is a side elevational view thereof;
FIG. 3 is a top plan view thereof;
FIG. 4 is a bottom plan view thereof; and,
FIG. 5 is a front elevational view thereof.

1 Claim, 2 Drawing Sheets

References Cited

U.S. PATENT DOCUMENTS

D. 117,329	10/1939	Burman	D23/290
D. 171,018	12/1953	Zoffer	D23/278
182,482	4/1958	Schwartz .	
D. 210,828	4/1968	Musteo	D23/290
D. 218,237	8/1970	Cline	D23/290
D. 219,323	11/1970	Bost	D24/123
D. 223,667	5/1972	DiPerro	D23/284
D. 224,222	7/1972	Collins	D23/284



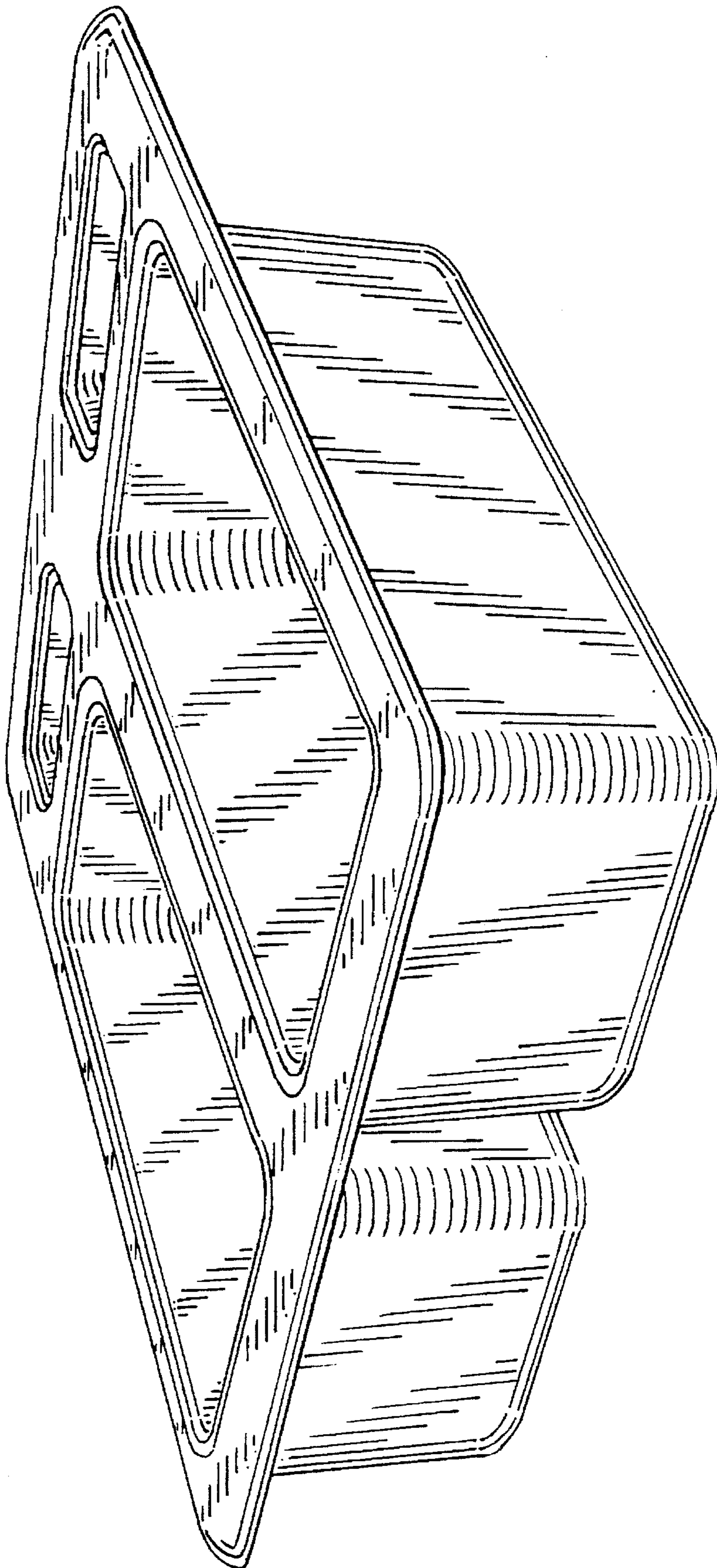


Fig. 1

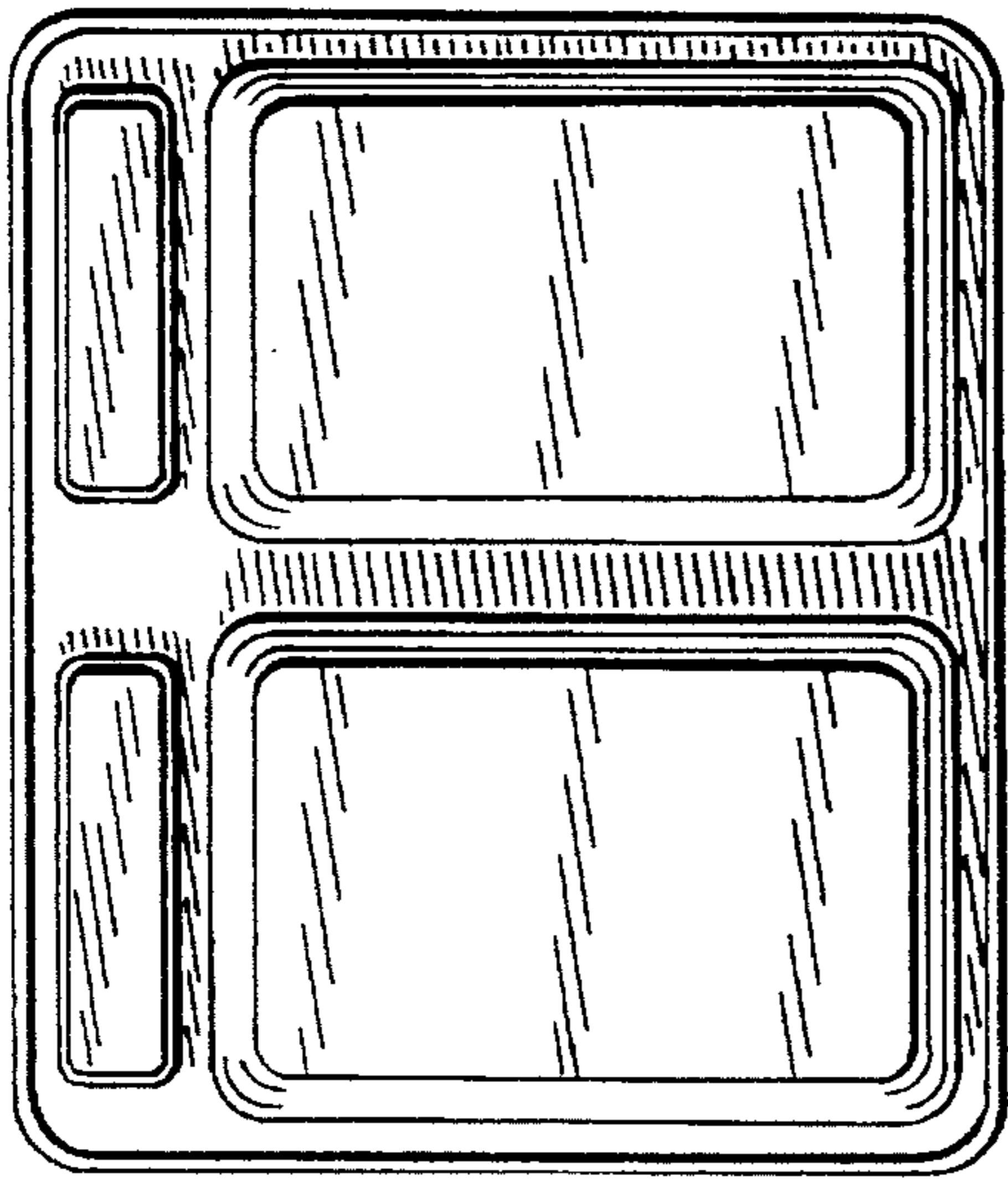


Fig. 4

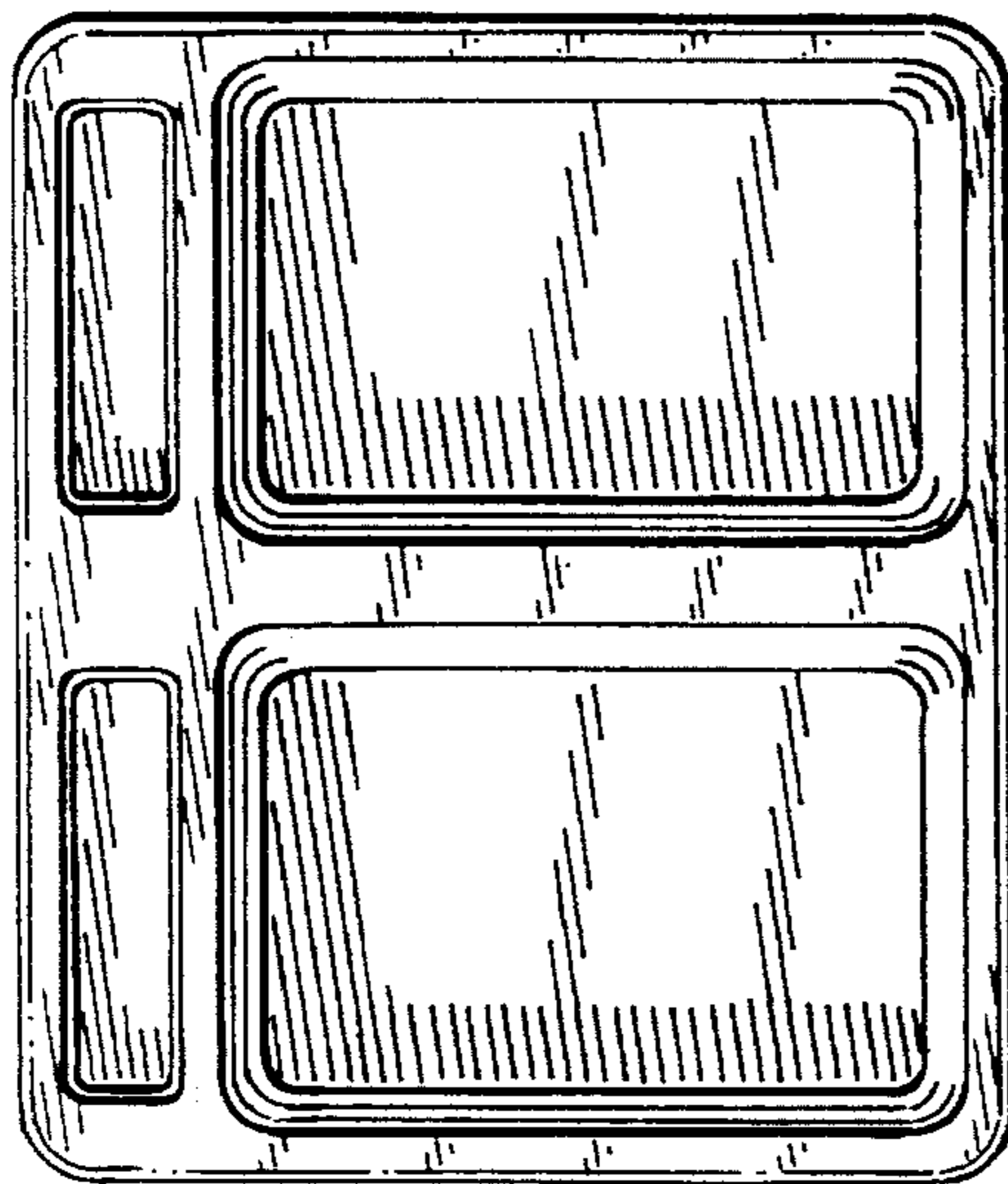


Fig. 3

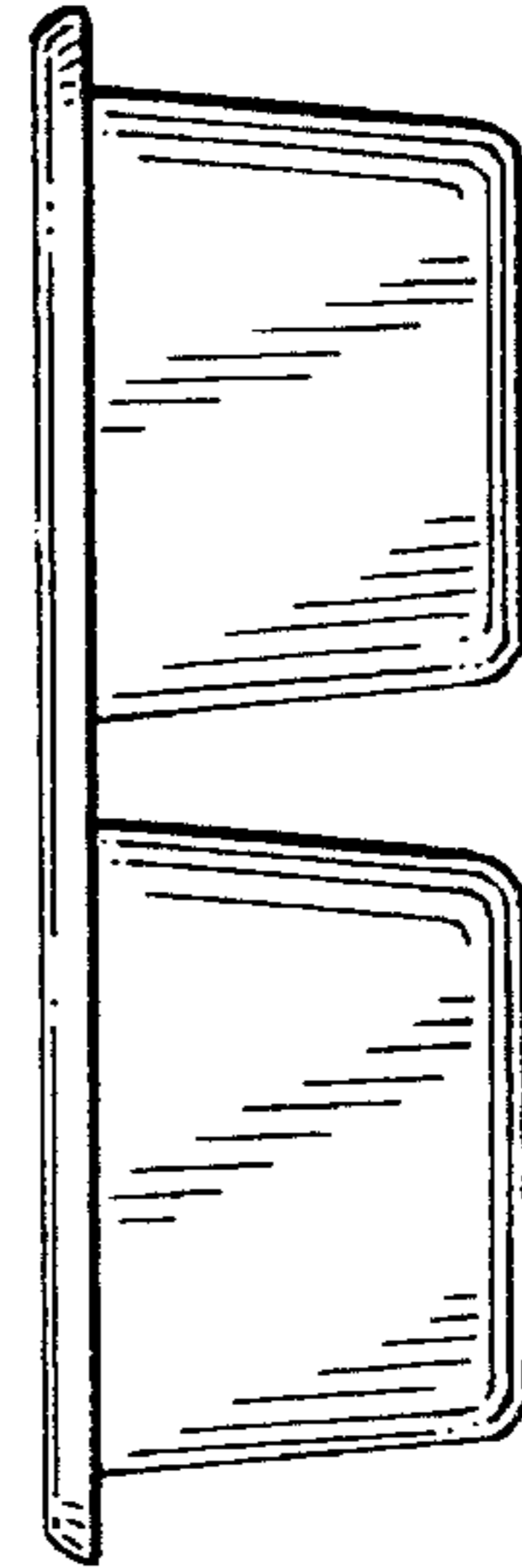


Fig. 5

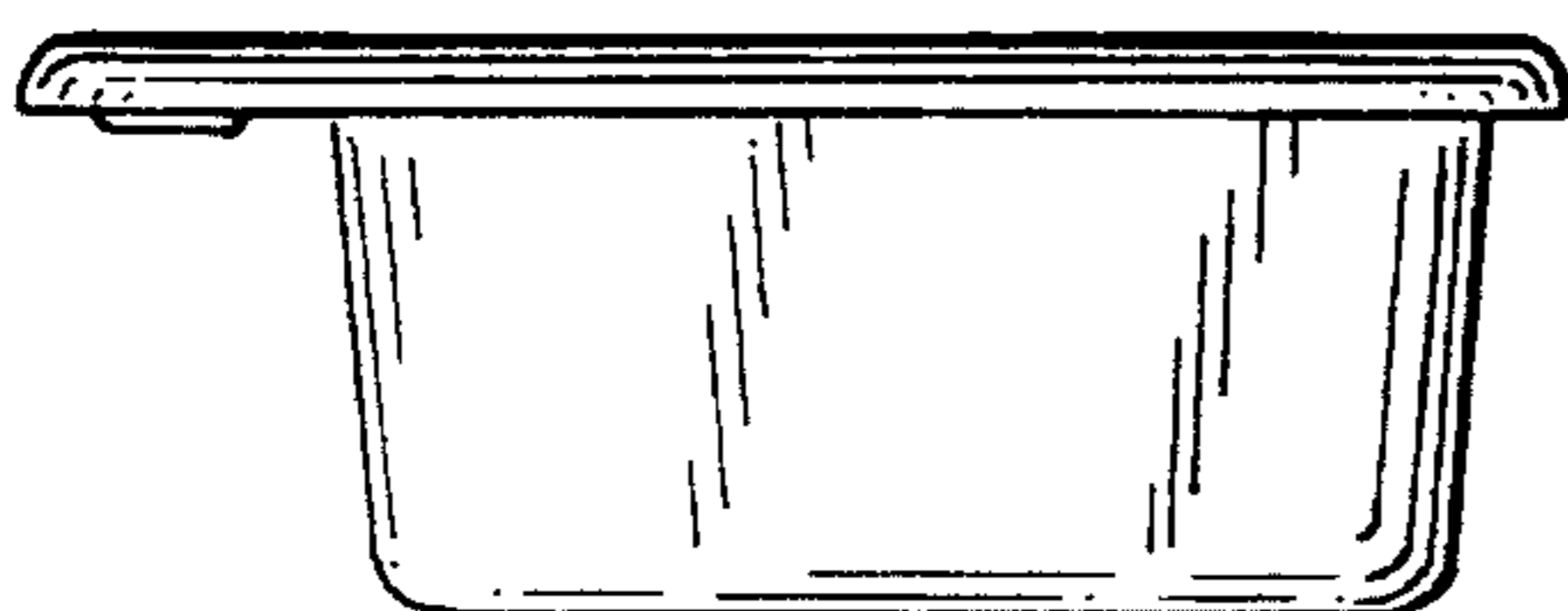


Fig. 2