



US00D364673S

United States Patent [19]
Gustafsson

[11] **Patent Number: Des. 364,673**

[45] **Date of Patent: **Nov. 28, 1995**

[54] **SPRAY GUN**

[75] Inventor: **Morgan Gustafsson**, Oberägeri, Sweden

[73] Assignee: **Bo Nyberg**, Oberageri, Sweden

[**] Term: **14 Years**

[21] Appl. No.: **31,909**

[22] Filed: **Dec. 2, 1994**

[30] **Foreign Application Priority Data**

Jun. 2, 1994 [SE] Sweden 94-1281

[52] **U.S. Cl.** **D23/223**

[58] **Field of Search** D23/213, 223-229;
239/373, 394, 414-415, 525-528, 332-333,
372-373; D9/446, 448

[56] **References Cited**

U.S. PATENT DOCUMENTS

D. 298,451 11/1988 Kille D23/225

D. 299,053 12/1988 Miller D23/225
3,899,134 8/1975 Wagner 239/332
4,355,739 10/1982 Vierkötter 239/333
5,150,841 9/1992 Silvenis et al. 239/332

Primary Examiner—A. Hugo Word
Assistant Examiner—Robin V. Taylor
Attorney, Agent, or Firm—Young & Thompson

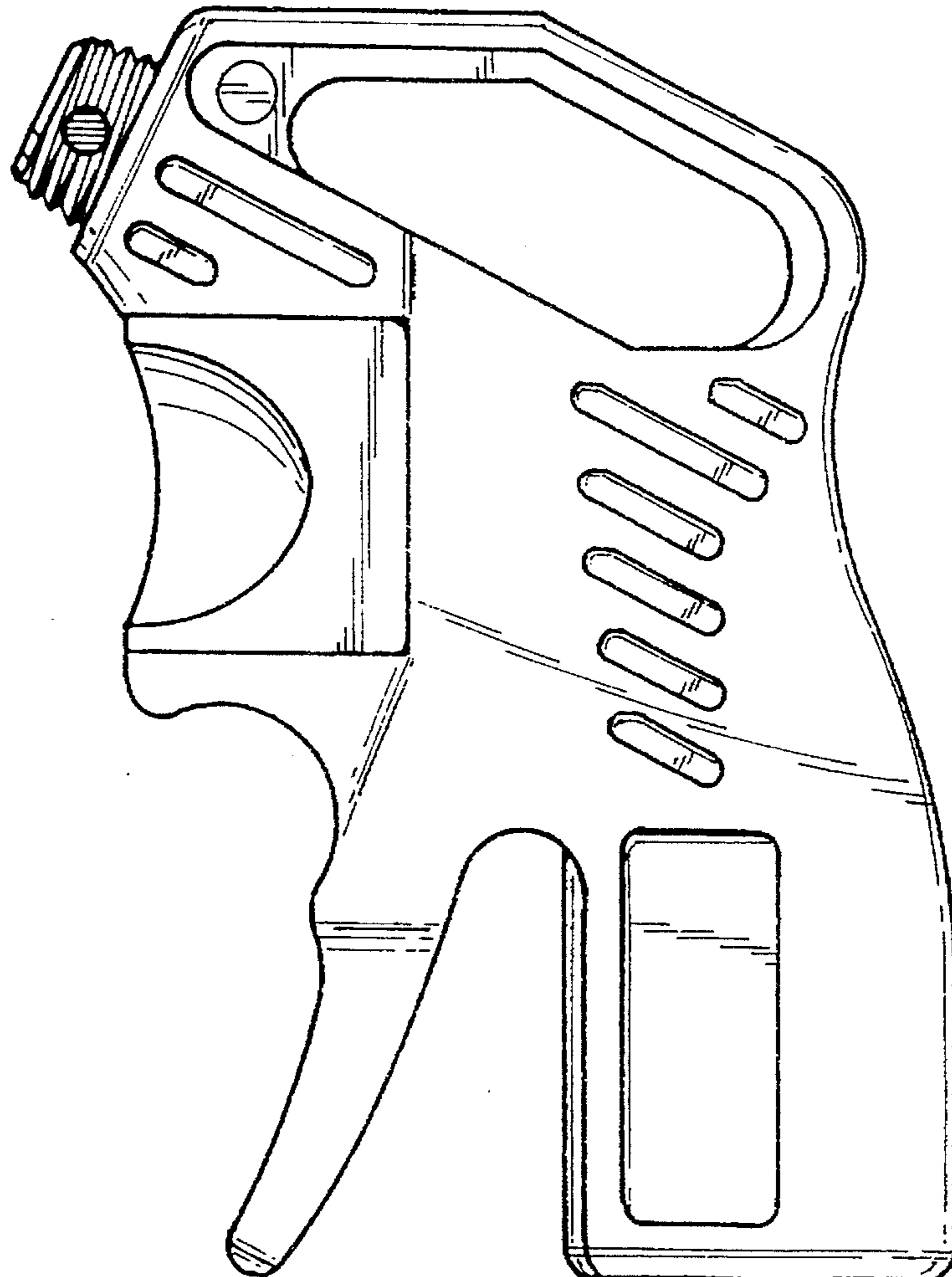
[57] **CLAIM**

The ornamental design for a spray gun, as shown and described.

DESCRIPTION

FIG. 1 is a side elevational view of a spray gun showing my new design, the other side being a mirror image;
FIG. 2 is a front elevational view thereof;
FIG. 3 is a rear elevational view thereof;
FIG. 4 is a top plan view thereof; and,
FIG. 5 is a bottom plan view thereof.

1 Claim, 2 Drawing Sheets



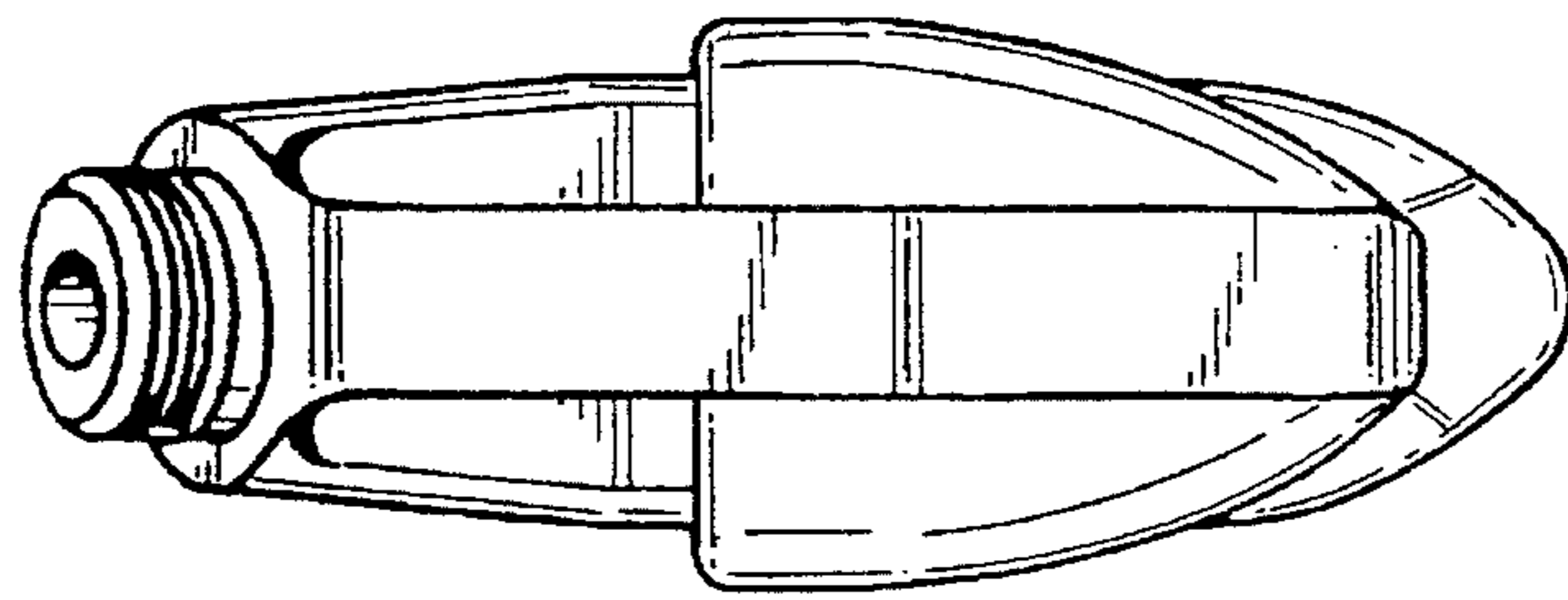


FIG. 4

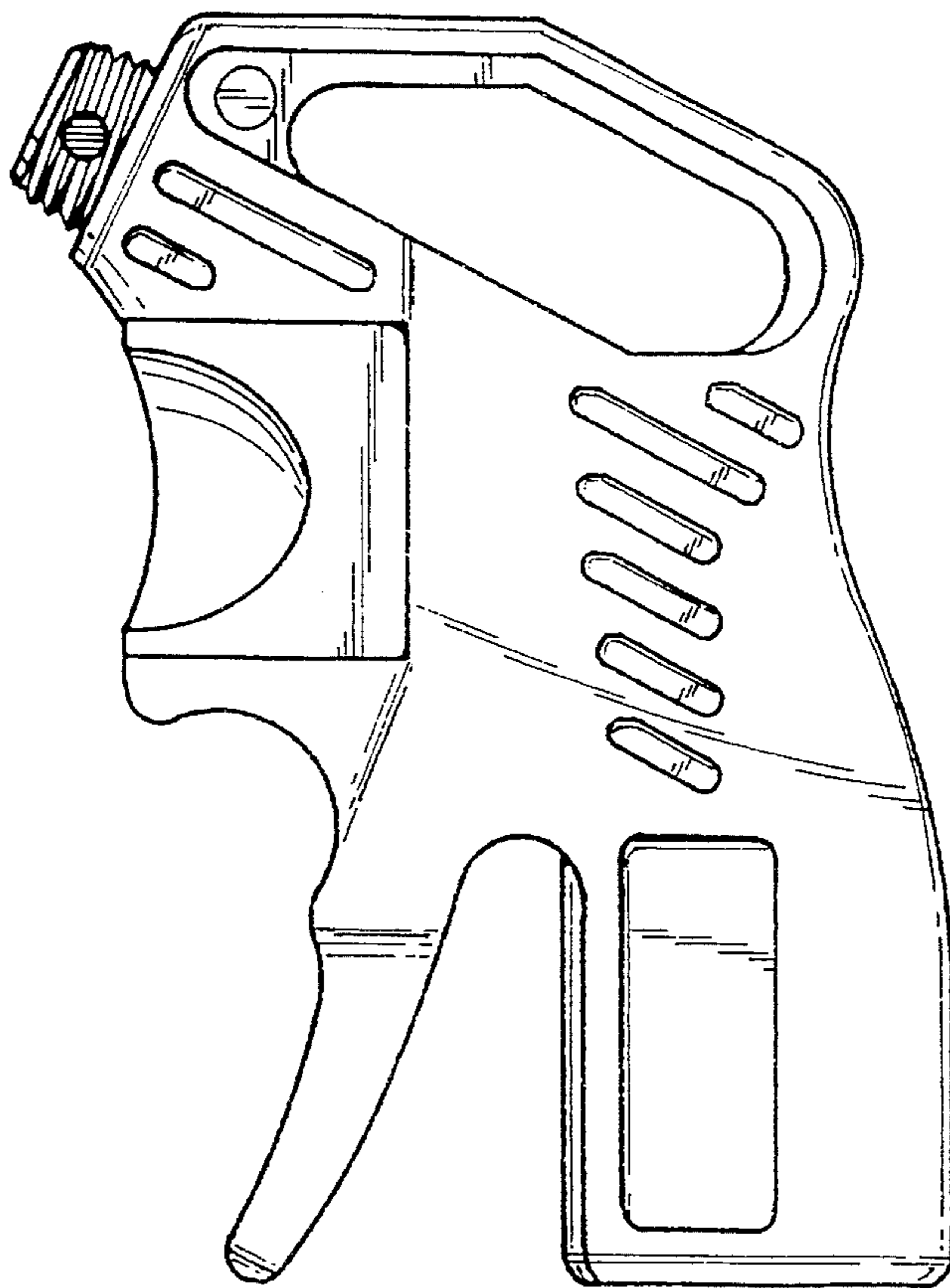


FIG. 1

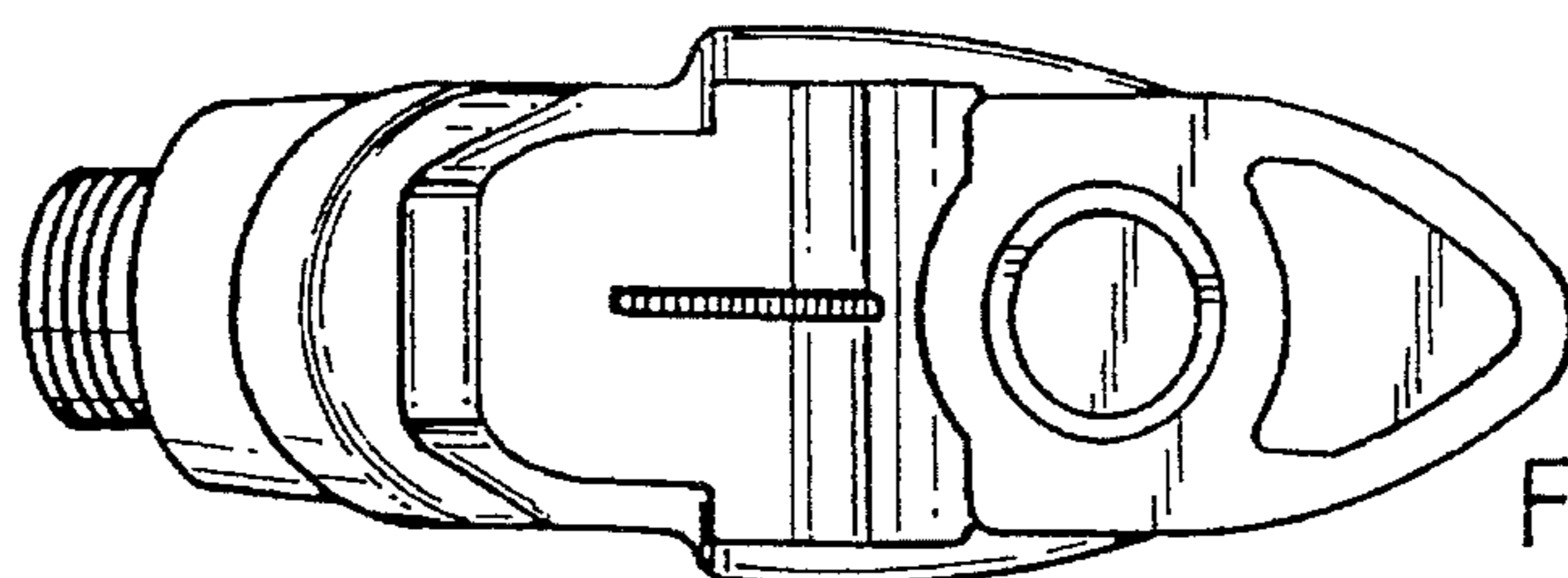


FIG. 5

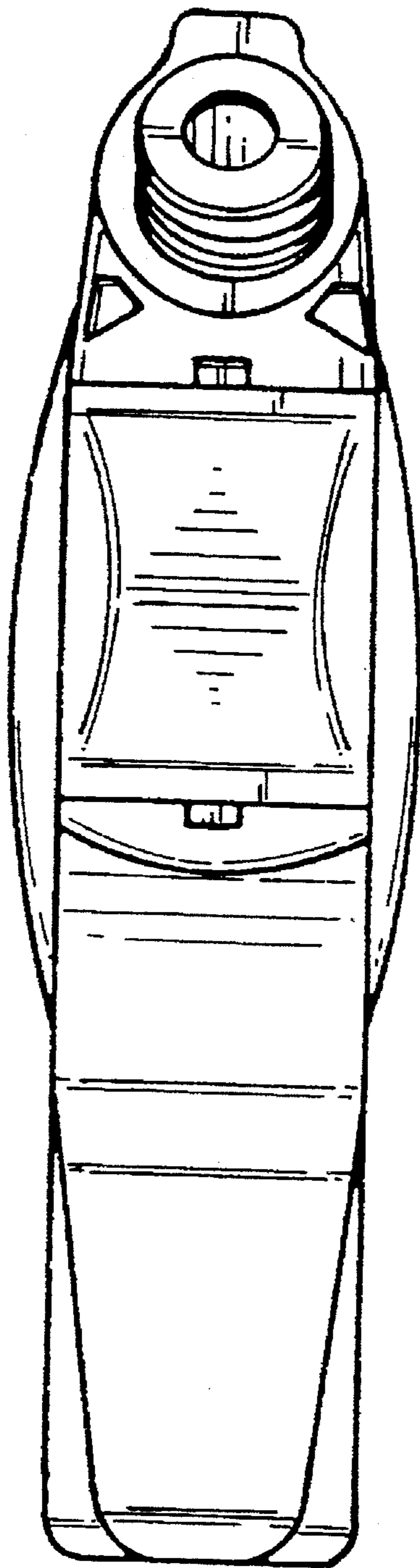


FIG. 2

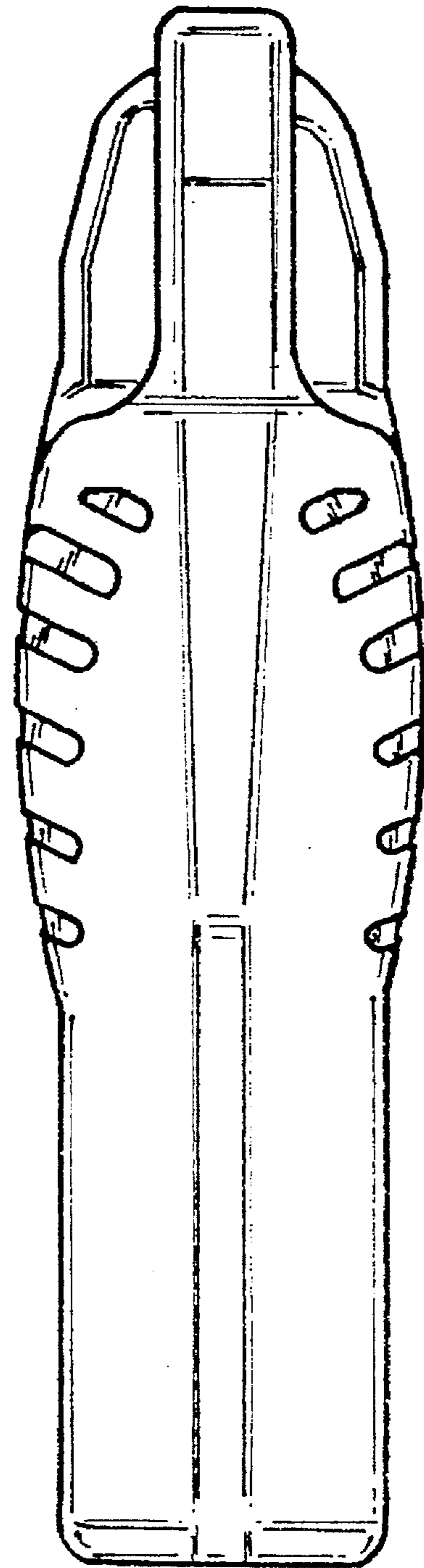


FIG. 3