



US00D364672S

United States Patent [19]

[11] Patent Number: **Des. 364,672**

Lipshultz et al.

[45] Date of Patent: ****Nov. 28, 1995**

[54] **COUNTERTOP WATER PURIFICATION UNIT**

D. 290,286	6/1987	Padilla	D23/207
D. 323,875	2/1992	Kang et al.	D23/209
869,745	10/1907	Spencer	222/185 X
4,728,005	3/1988	Jacobs et al.	222/129.1 X

[76] Inventors: **Alfred J. Lipshultz**, 4090 Lake Dr., Coconut Creek, Fla. 33066; **Mitchell Lipshultz**, 4100 Galt Ocean Dr. #1601, Ft. Lauderdale, Fla. 33308

Primary Examiner—Lou Zarfaz
Assistant Examiner—Monica A. Hannon
Attorney, Agent, or Firm—Charles E. Baxley

[**] Term: **14 Years**

[57] **CLAIM**

[21] Appl. No.: **26,046**

The ornamental design for a countertop water purification unit, as shown and described.

[22] Filed: **Jul. 18, 1994**

[52] U.S. Cl. **D23/209**

DESCRIPTION

[58] **Field of Search** D23/200-209; 210/192, 222, 223, 257.2, 282, 446, 448, 744; 220/1.5, 4.21, 633; 222/185, 189, 129.1; 99/323.1; 261/DIG. 7

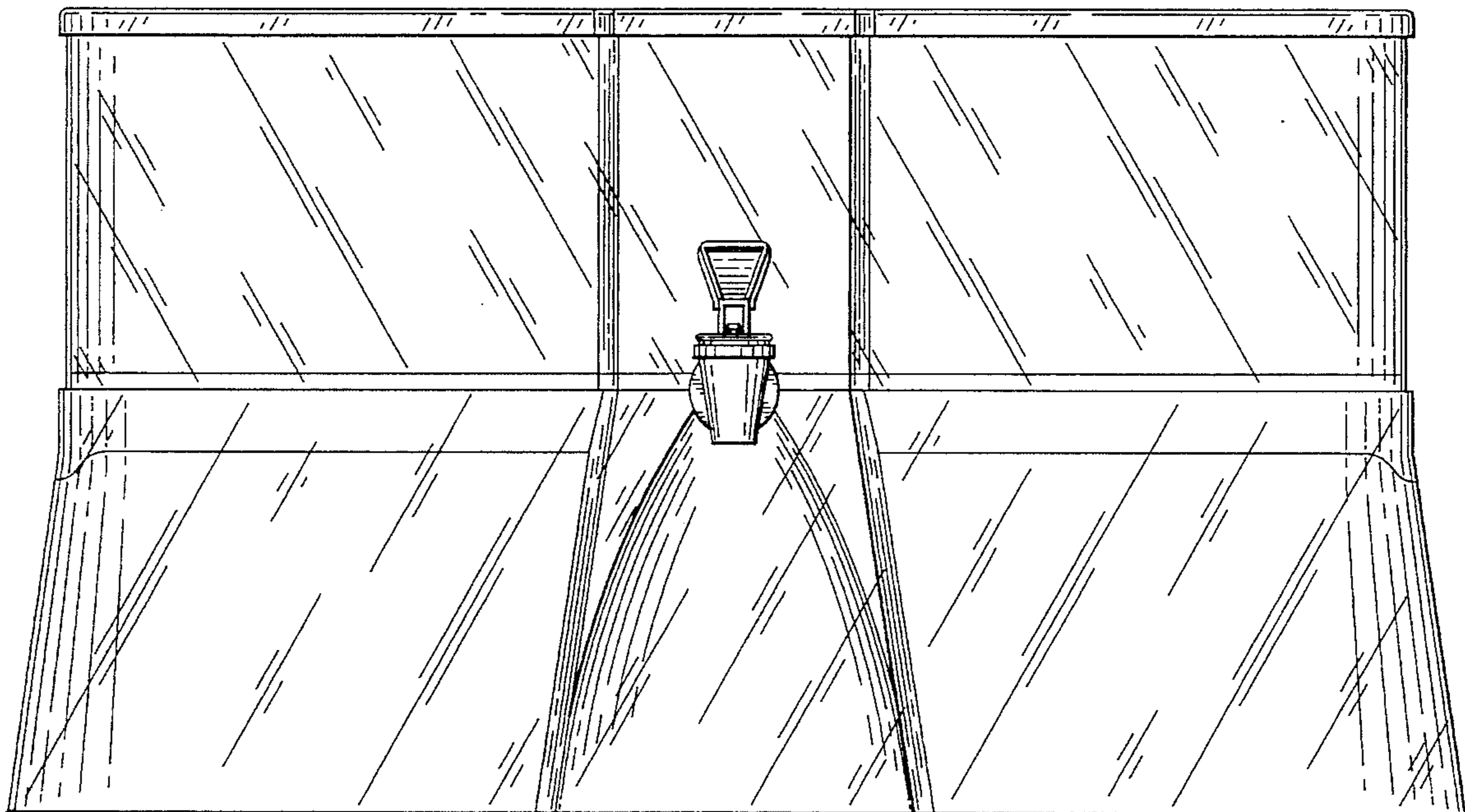
FIG. 1 is a front elevational view of a countertop water purification unit according to my design; FIG. 2 is a rear elevational view thereof; FIG. 3 is a top plan view thereof; FIG. 4 is a left elevational view thereof; FIG. 5 is a right elevational view thereof; and, FIG. 6 is a bottom plan view thereof.

[56] **References Cited**

U.S. PATENT DOCUMENTS

D. 180,718	7/1957	Masson	D7/311
D. 202,023	8/1965	Gordon	D7/311 X

1 Claim, 6 Drawing Sheets



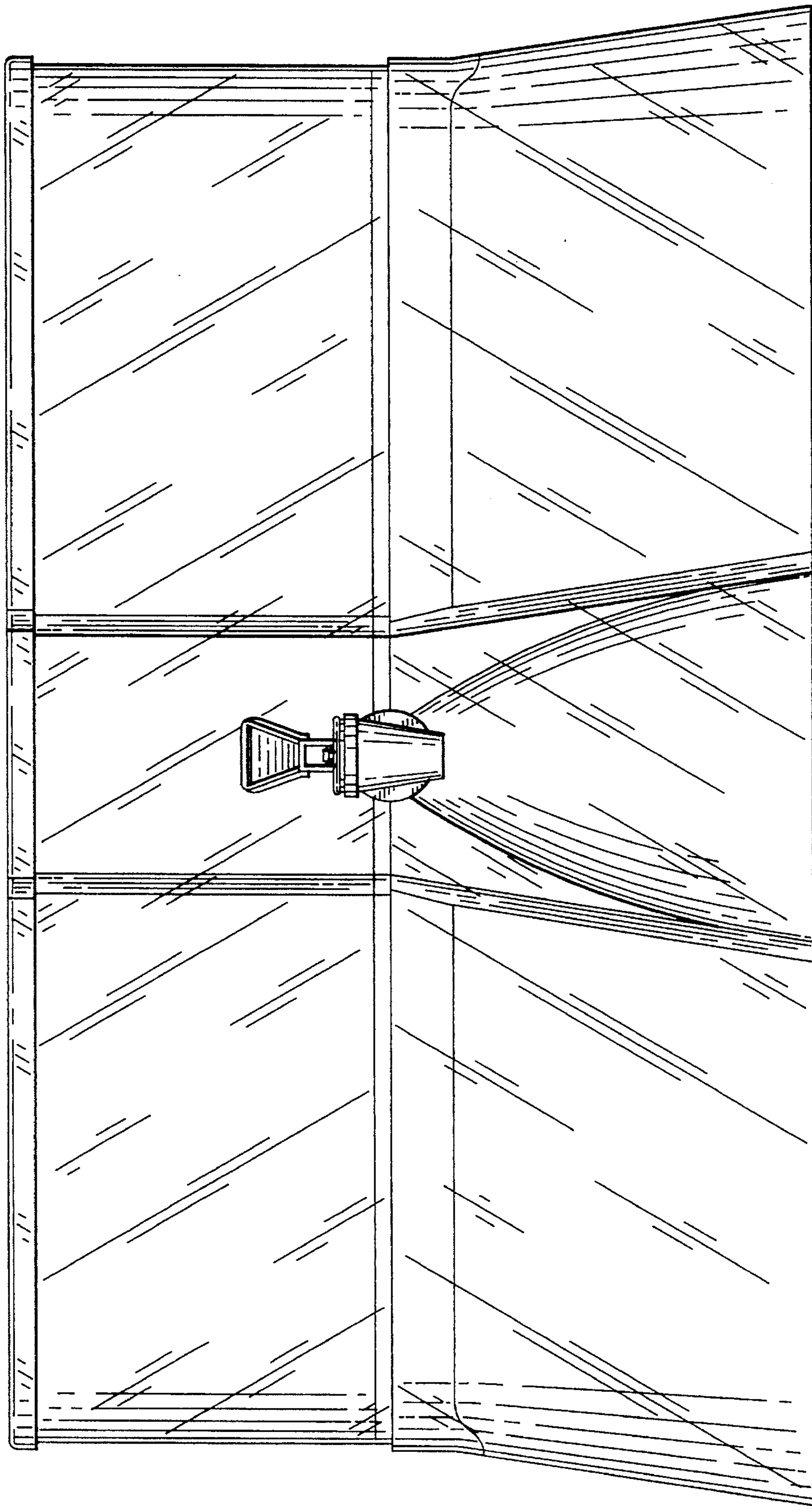


FIG. 1

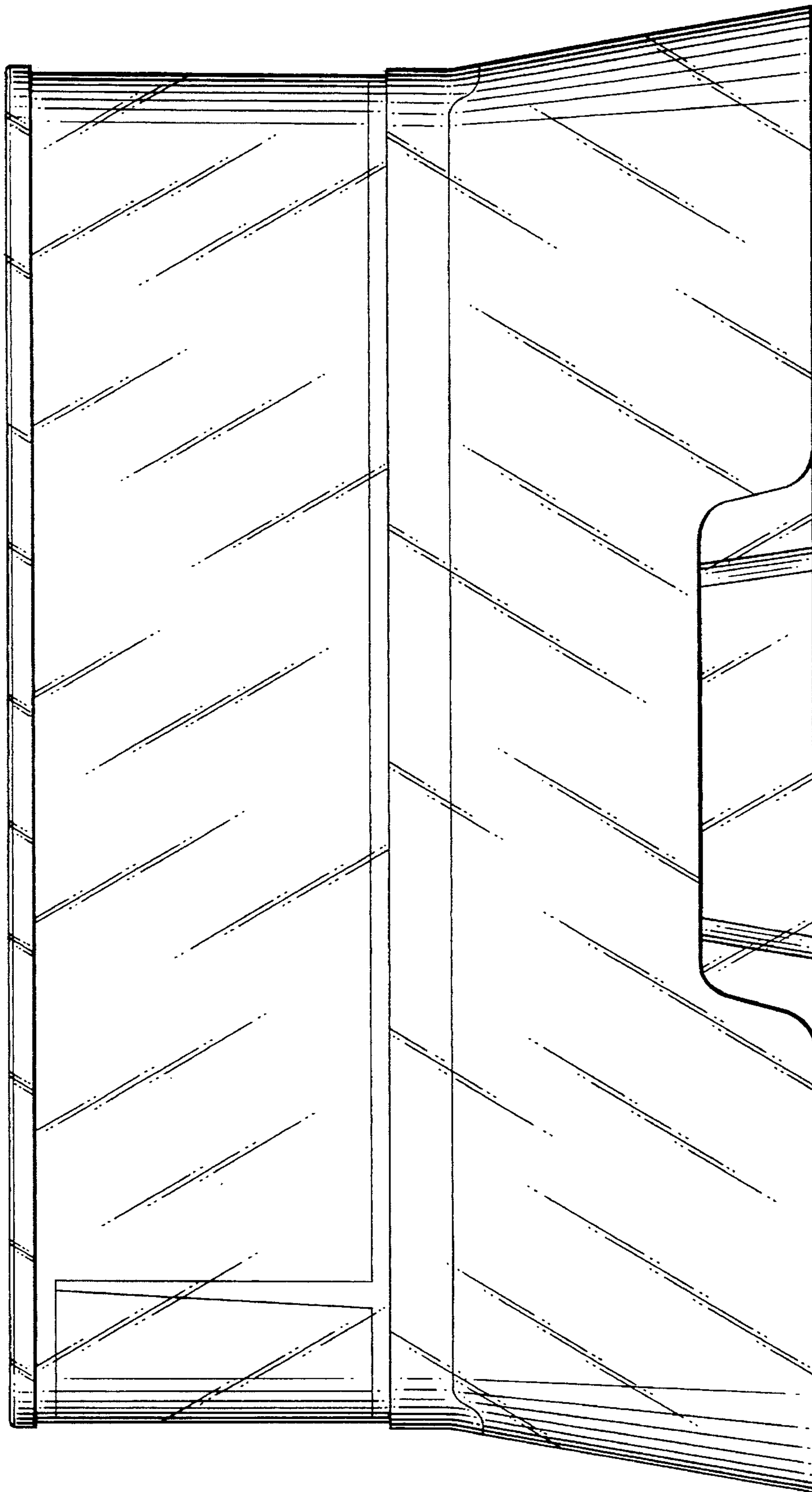


FIG. 2

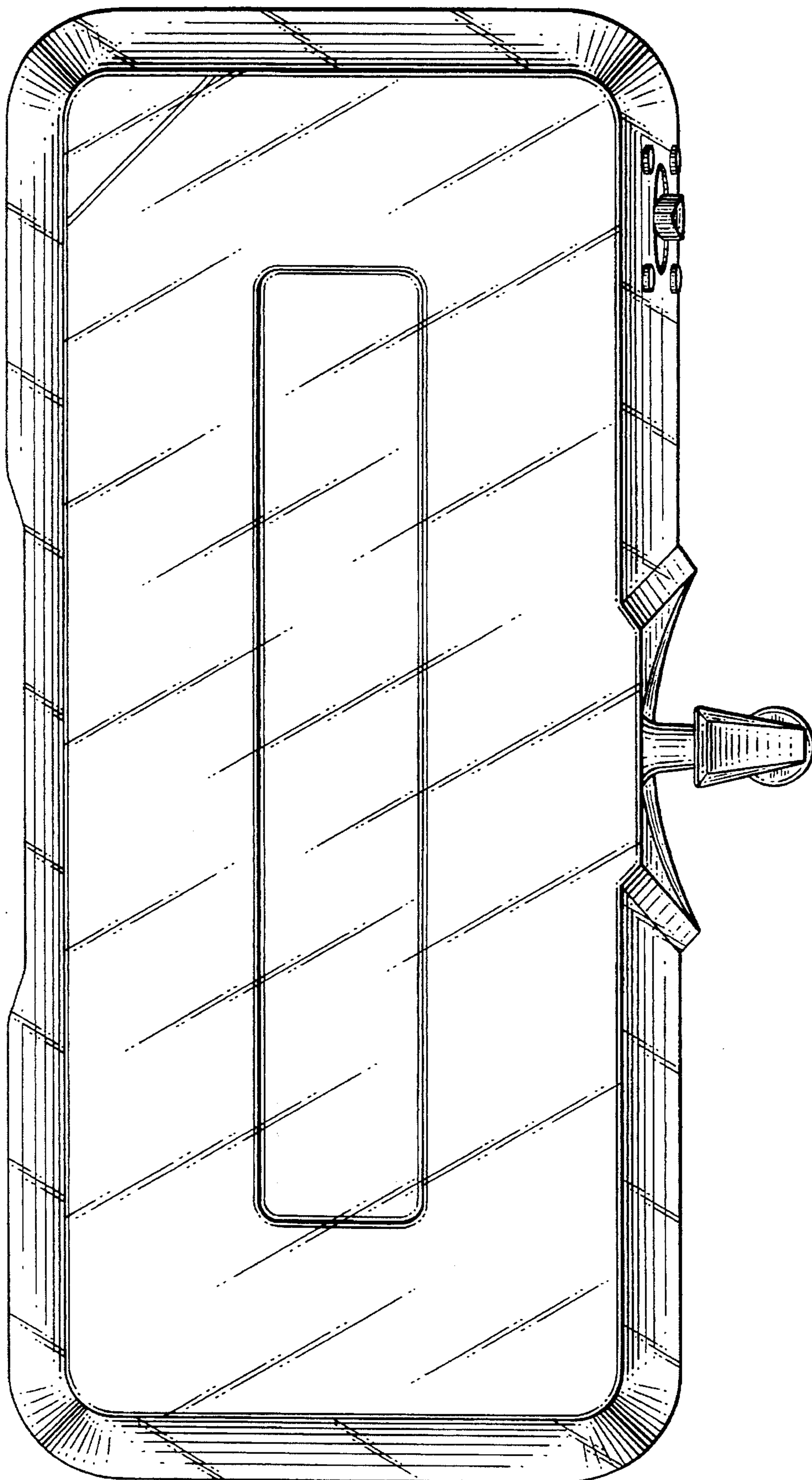


FIG. 3

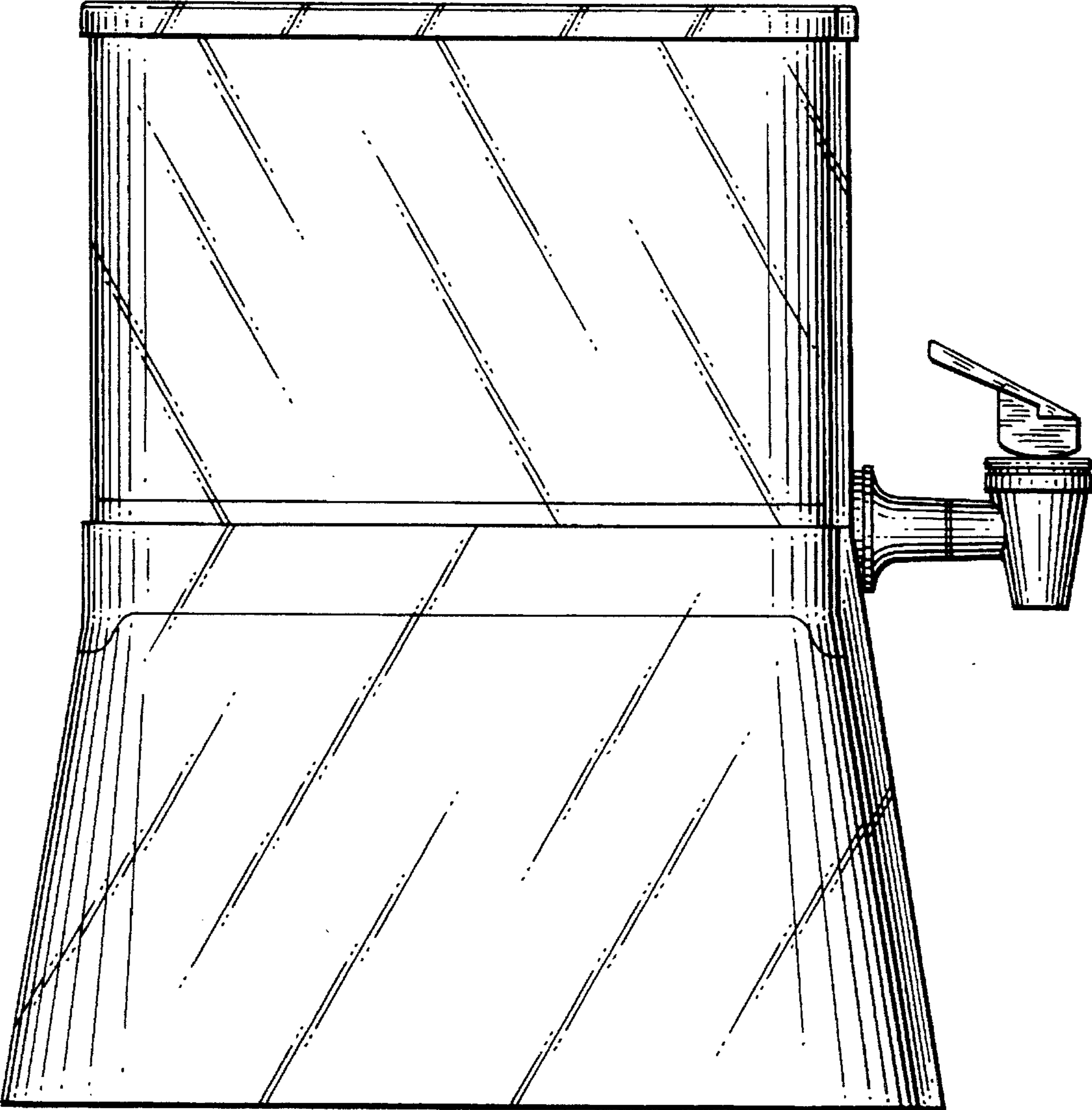


FIG. 4

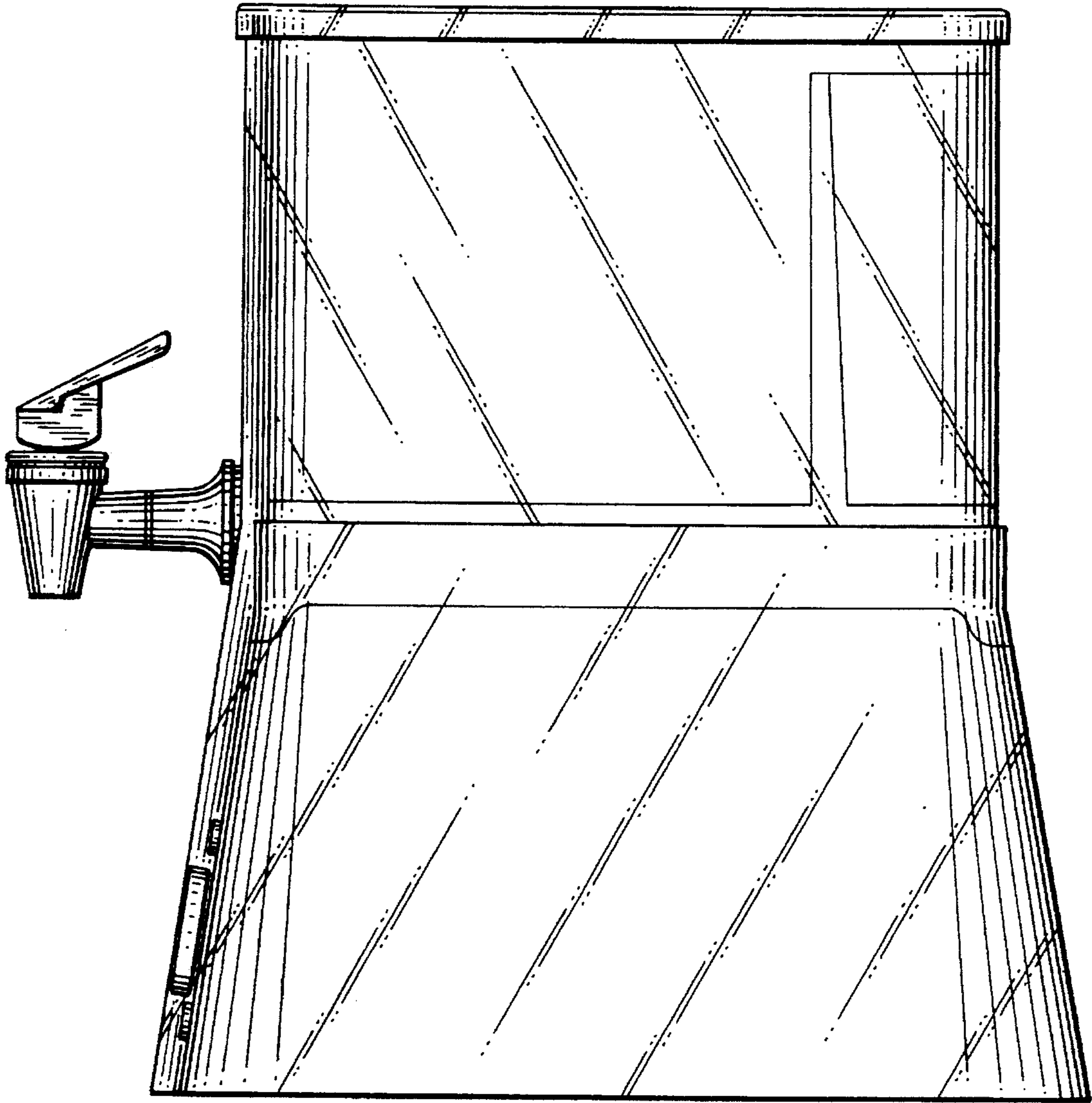


FIG. 5

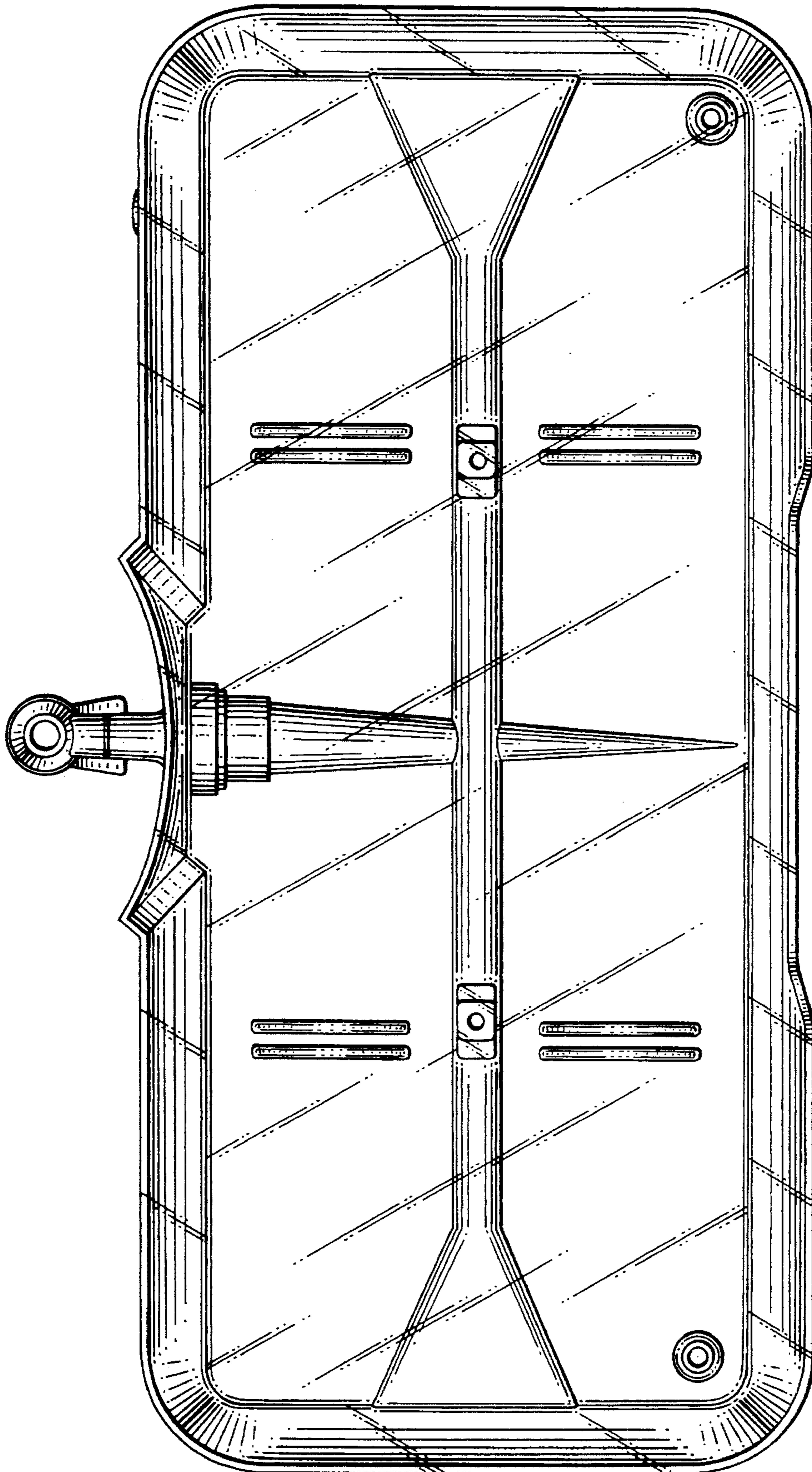


FIG. 6