



US00D364671S

# United States Patent [19]

Perry, Jr.

[11] Patent Number: **Des. 364,671**

[45] Date of Patent: **\*\*Nov. 28, 1995**

[54] **FISHING ROD HOLDER**

[76] Inventor: **Robert E. Perry, Jr.**, P.O. Box 175,  
Bath, N.Y. 14810

[\*\*] Term: **14 Years**

[21] Appl. No.: **25,975**

[22] Filed: **Jul. 15, 1994**

[52] U.S. Cl. .... **D22/147; D6/417**

[58] Field of Search ..... **D6/417, 416; D22/147,  
D22/148; 43/21.2; 248/156, 533, 530, 545;  
211/70.8**

[56] **References Cited**

**U.S. PATENT DOCUMENTS**

D. 100,600	7/1936	Luff .....	D22/147
D. 222,672	11/1971	Sather .....	D22/148
D. 287,613	1/1987	Upton .....	D22/147
D. 332,821	1/1993	Padilla .....	D22/147
D. 337,808	7/1993	Parker .....	D22/148
2,625,985	1/1953	Morgan et al. ....	248/156 X
3,273,841	9/1966	Cota .....	248/156 X
3,623,685	11/1971	Thomson .....	248/156 X
3,669,390	6/1972	Nielson .....	248/156 X

3,687,405	8/1972	Cala .....	248/545
3,831,891	8/1974	Jester .....	248/545 X

**FOREIGN PATENT DOCUMENTS**

557514	8/1923	France .....	248/533
--------	--------	--------------	---------

*Primary Examiner*—Carmen H. Vales-Lado  
*Attorney, Agent, or Firm*—James A. Hudak

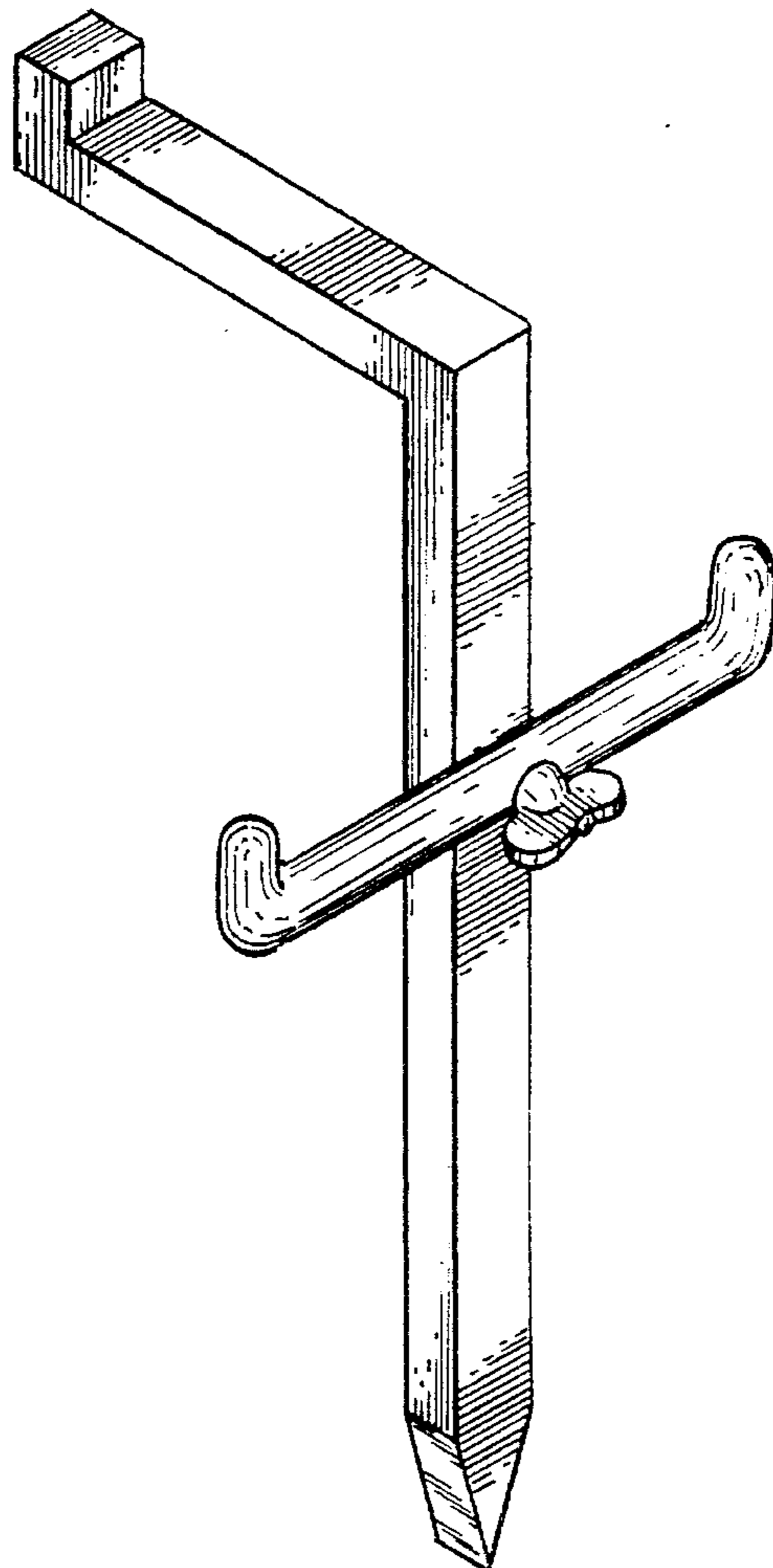
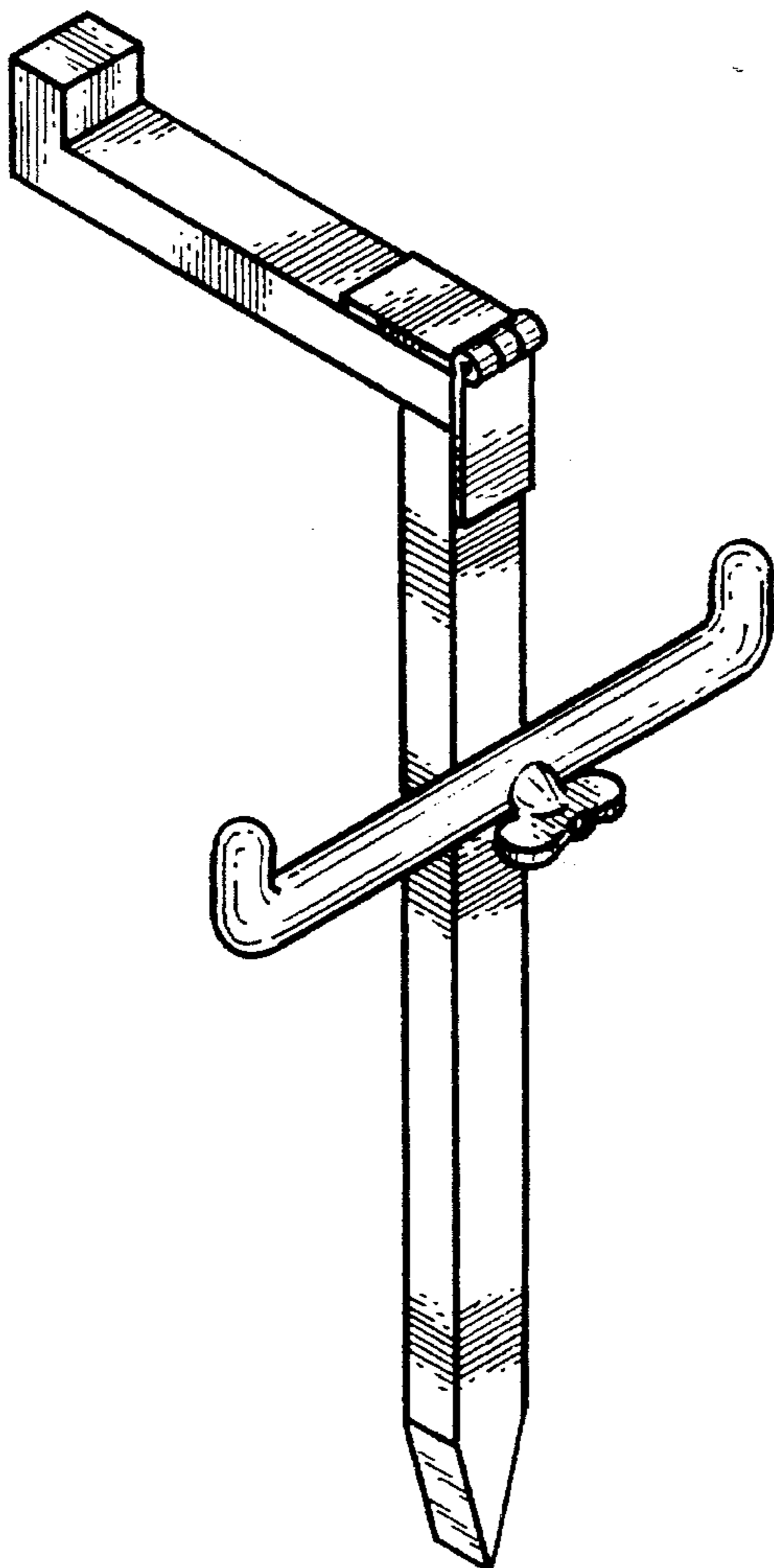
[57] **CLAIM**

The ornamental design for a fishing rod holder, as shown and described.

**DESCRIPTION**

FIG. 1 is a perspective view of the fishing rod holder showing my new design;  
 FIG. 2 is a front elevational view thereof;  
 FIG. 3 is a rear elevational view thereof;  
 FIG. 4 is a side elevational view thereof, the side opposite being a mirror image of the view shown in this figure;  
 FIG. 5 is a top plan view thereof;  
 FIG. 6 is a bottom plan view thereof; and,  
 FIG. 7 is a perspective view of an alternate embodiment of the fishing rod holder shown in FIG. 1.

**1 Claim, 5 Drawing Sheets**



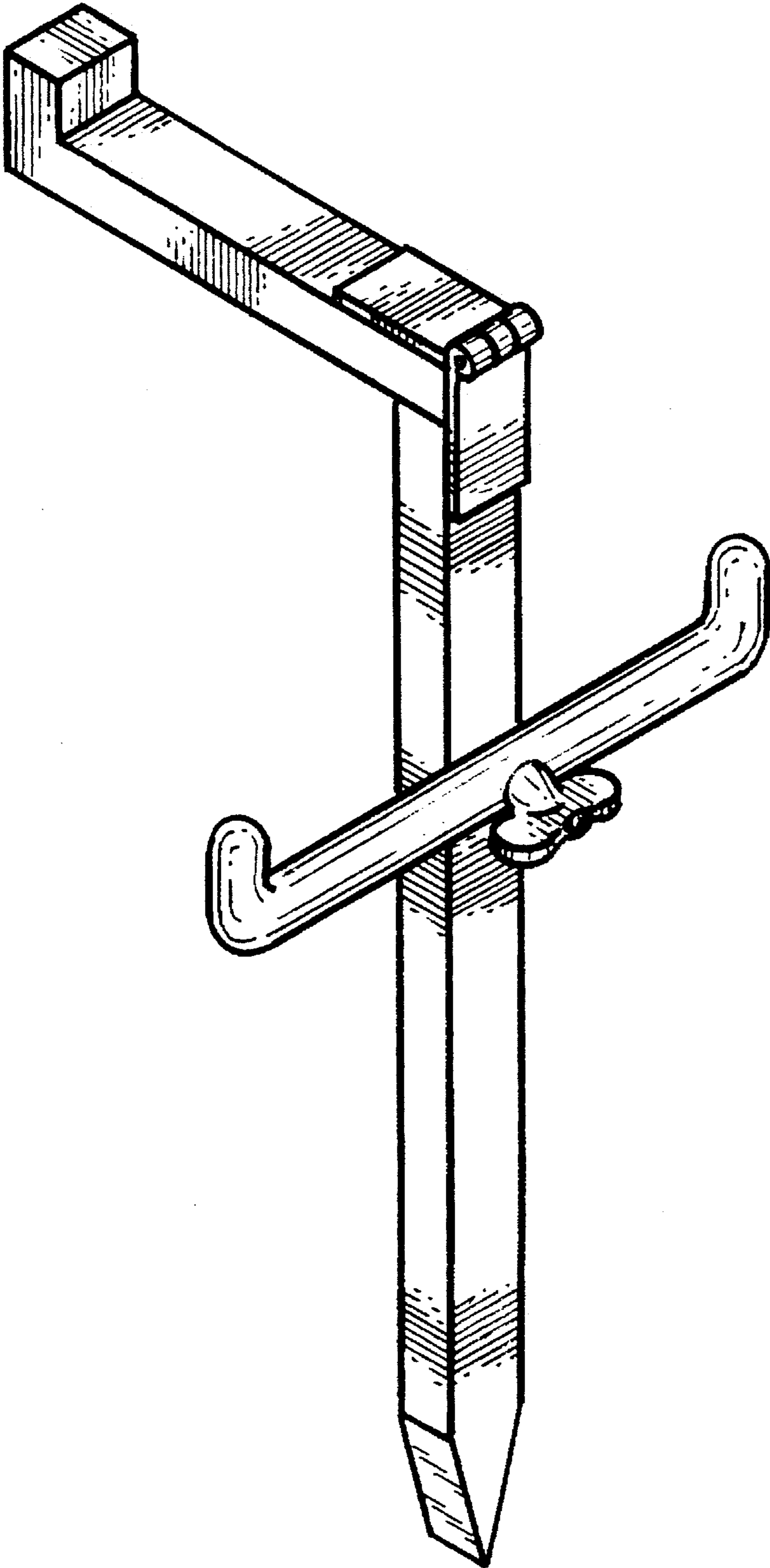


FIG. 1

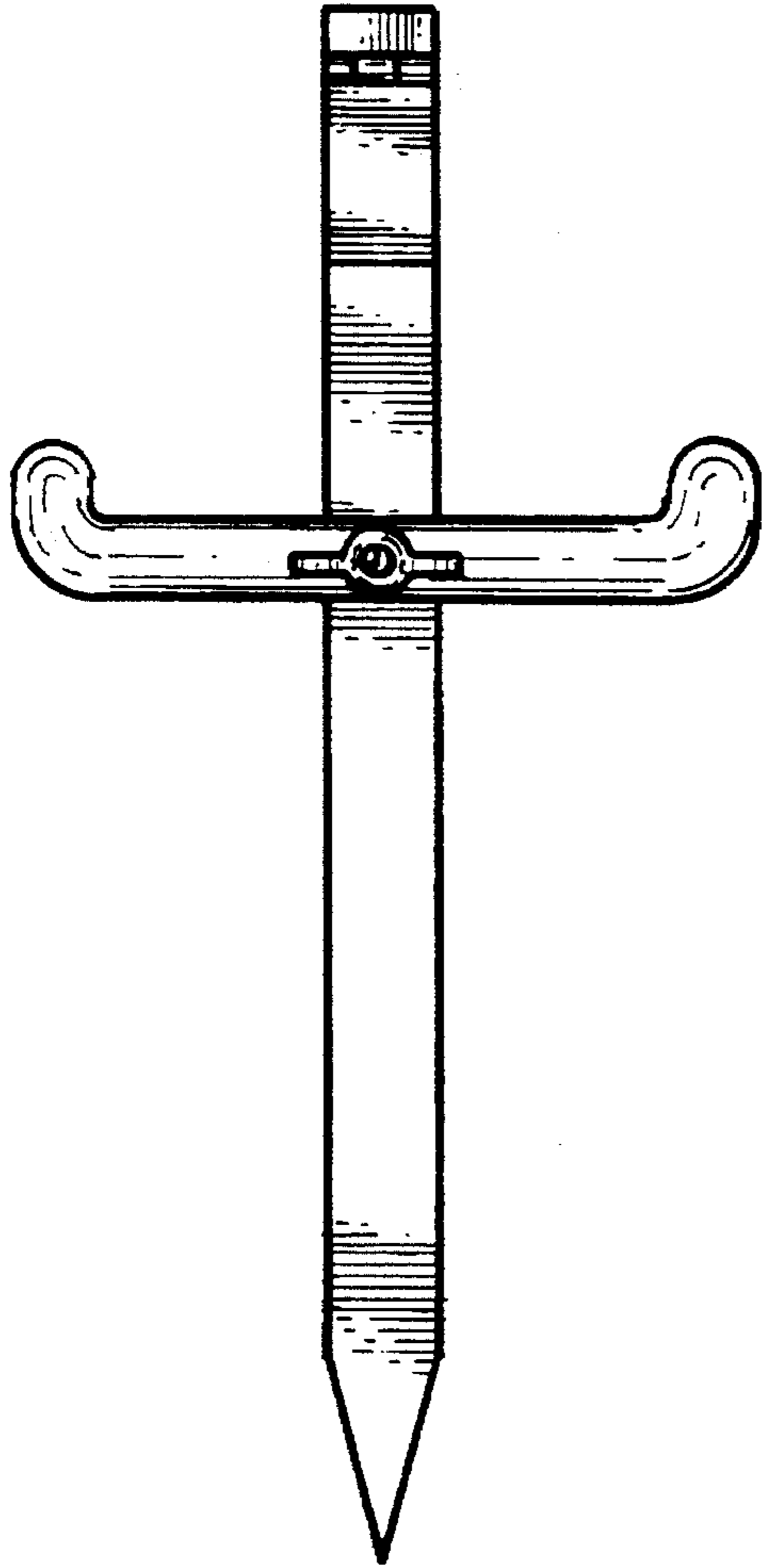


FIG. 2

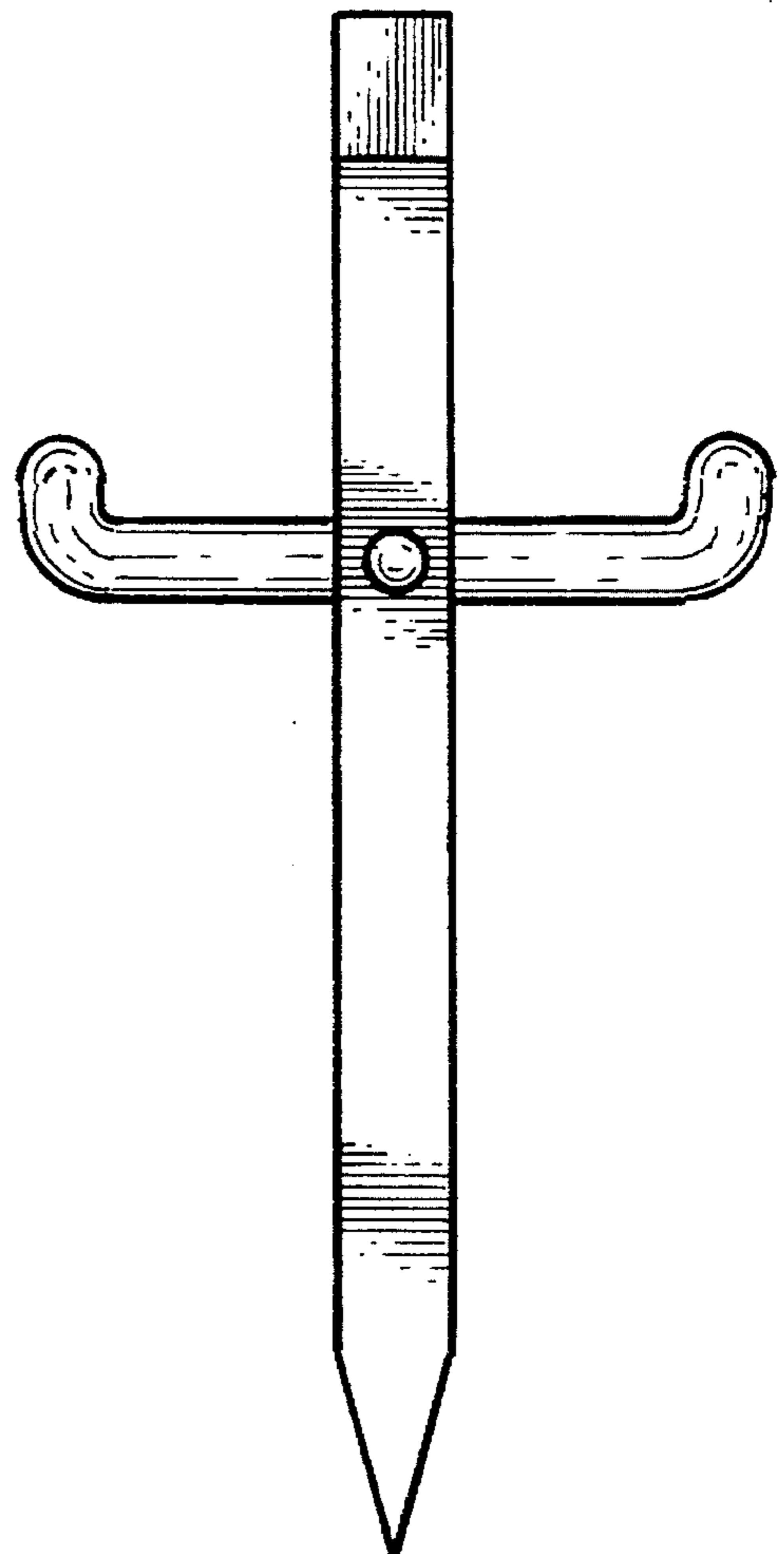


FIG. 3

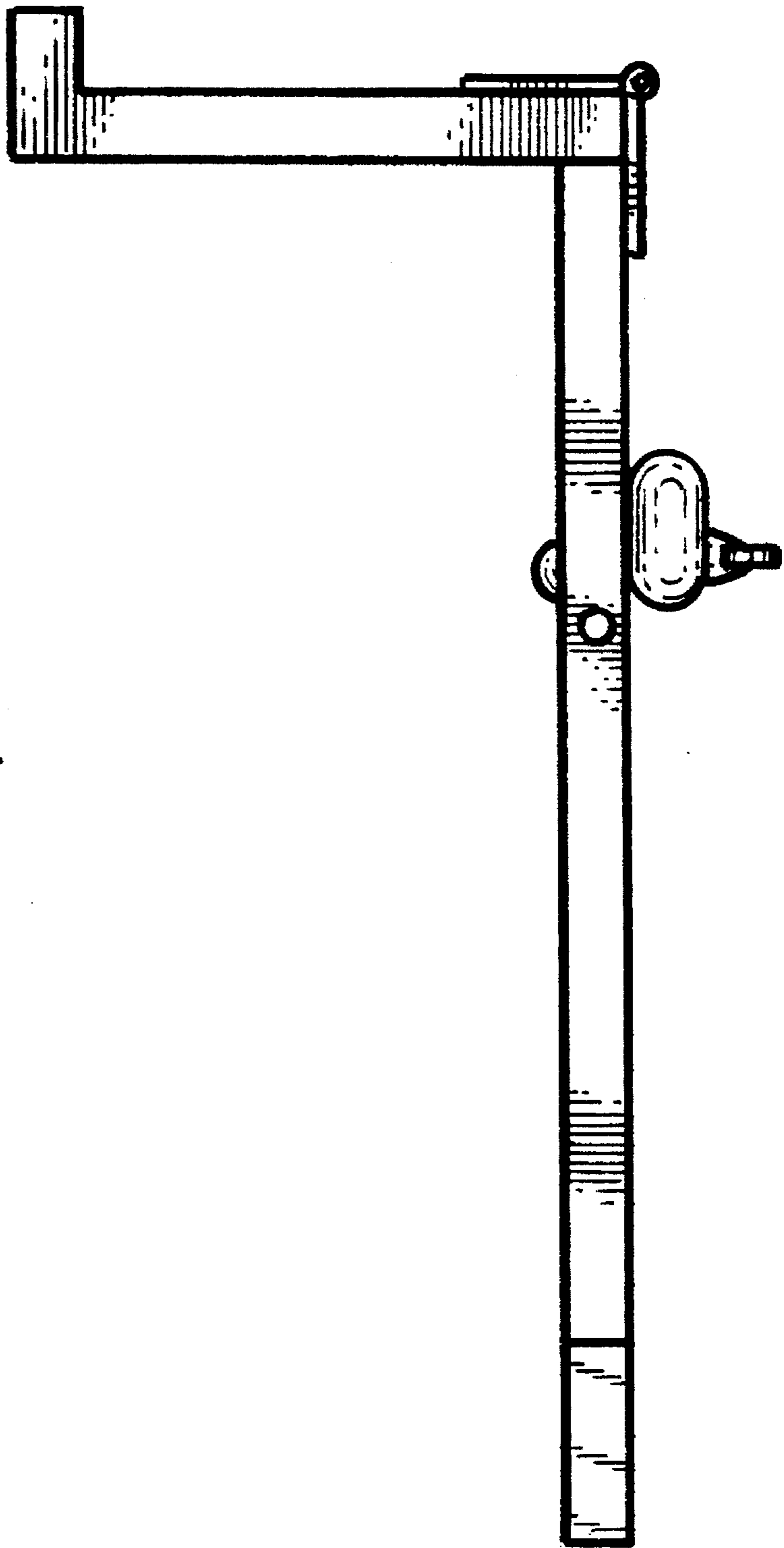


FIG. 4

FIG. 5

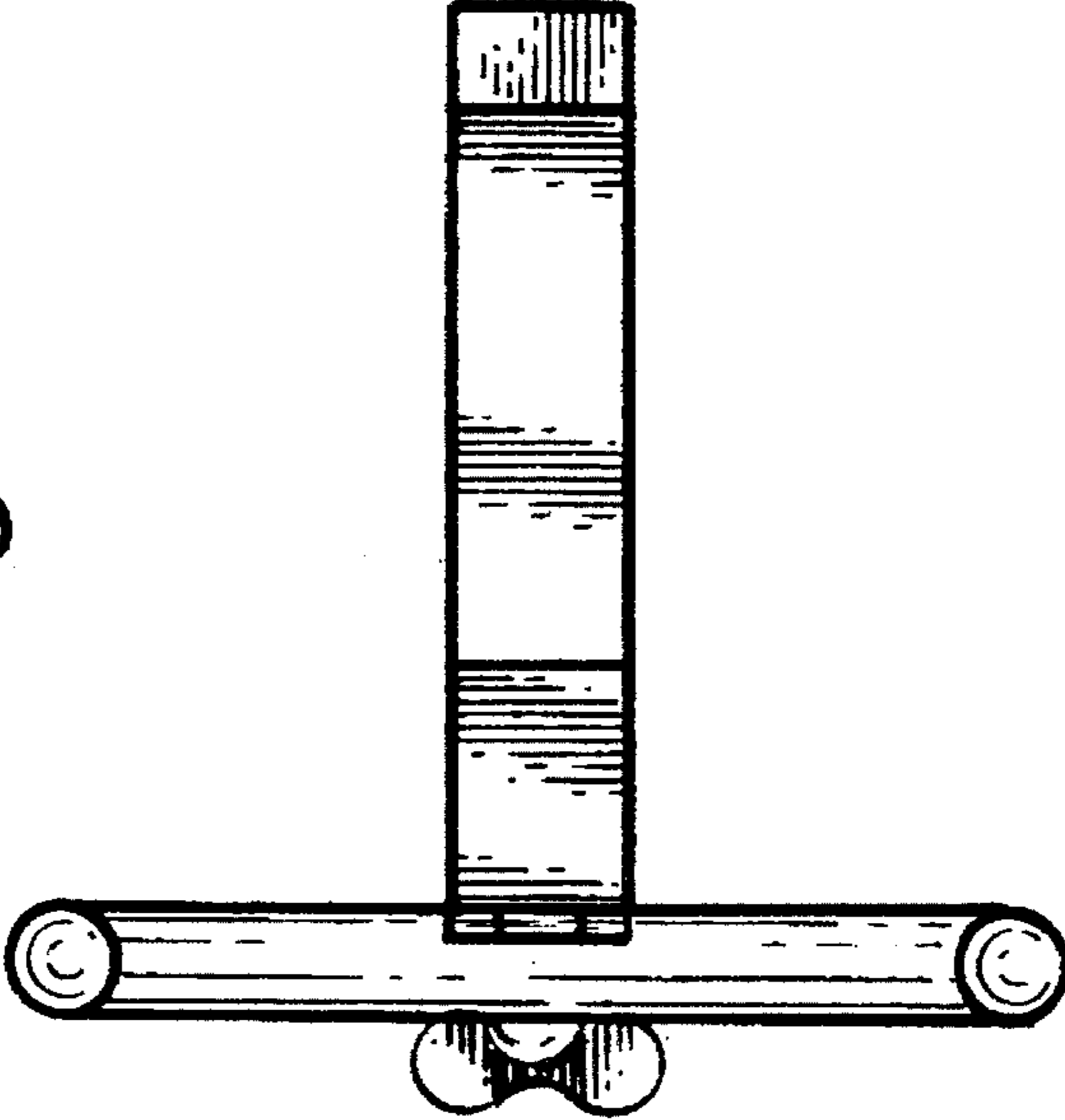
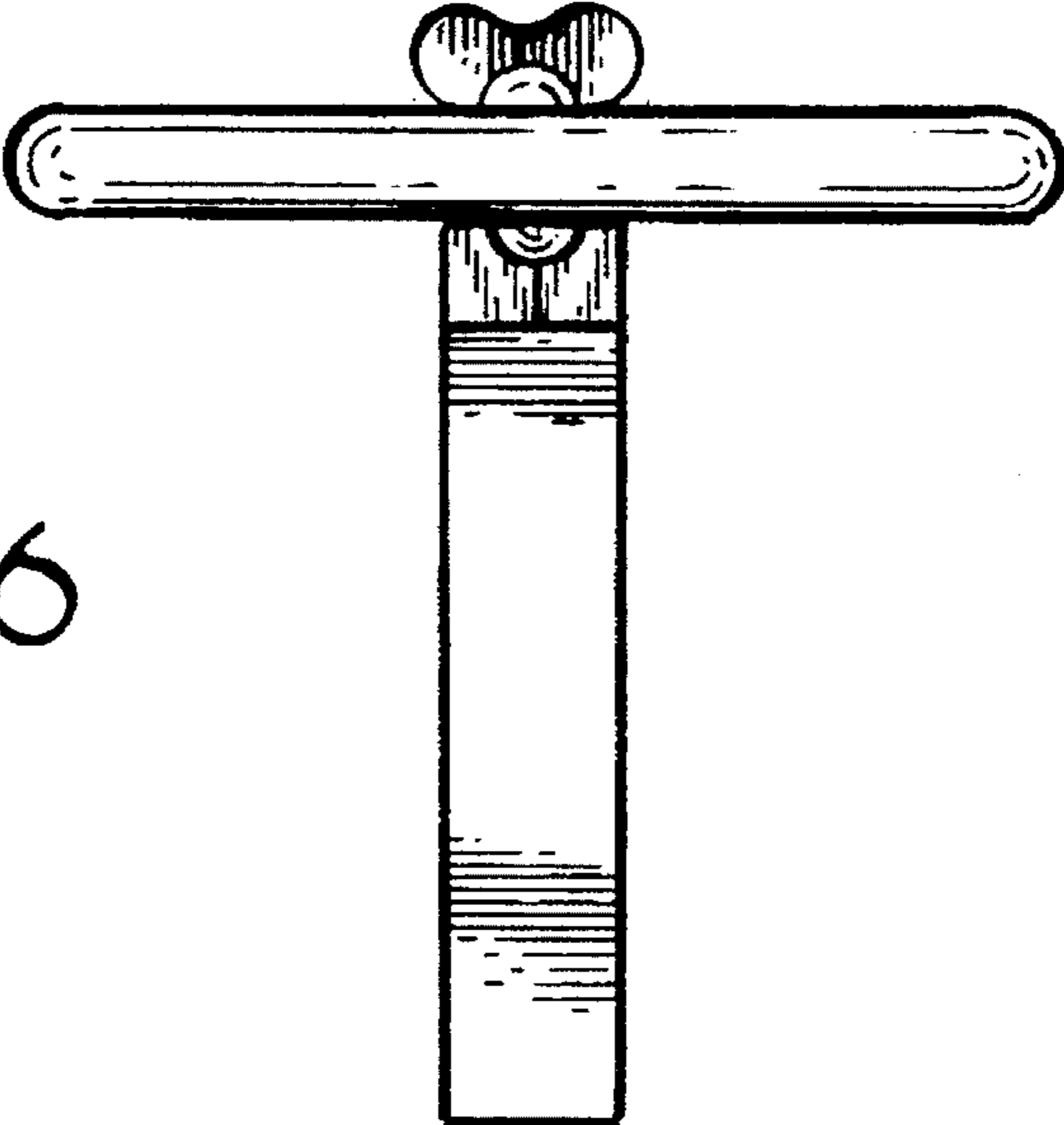


FIG. 6



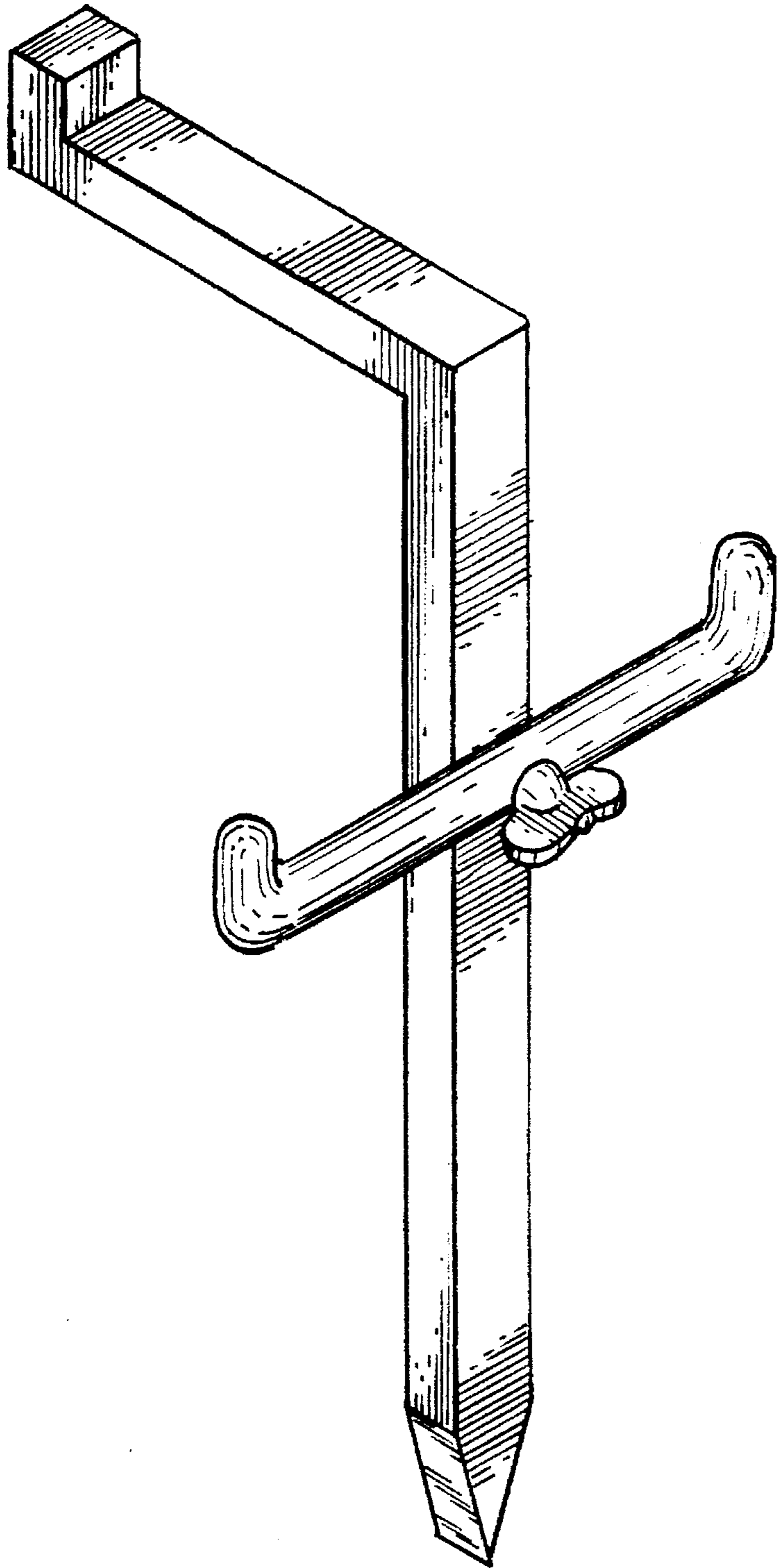


FIG. 7