



US00D364668S

United States Patent [19]

[11] Patent Number: **Des. 364,668**

Keng

[45] Date of Patent: ****Nov. 28, 1995**

[54] **RIFLE SCOPE MOUNT AND RECEIVER COVER**

3,875,675	4/1975	Krisay	33/245
4,228,605	10/1980	Chacornac	42/100 X
4,734,989	4/1988	Sanders	33/258 X

[76] Inventor: **Da Keng**, 875 Wharton Dr., SW., Atlanta, Ga. 30336

Primary Examiner—Doris V. Coles

[**] Term: **14 Years**

[57] CLAIM

[21] Appl. No.: **22,087**

The ornamental design entitled rifle scope mount and receiver cover, as shown and described.

[22] Filed: **Apr. 29, 1994**

DESCRIPTION

[52] U.S. Cl. **D22/110**

FIG. 1 is a perspective view of my new design for a rifle scope mount and receiver cover;
 FIG. 2 is a rear view thereof;
 FIG. 3 is a front view thereof;
 FIG. 4 is a right side view thereof;
 FIG. 5 is a left side view thereof;
 FIG. 6 is a top view thereof; and,
 FIG. 7 is a bottom view thereof.

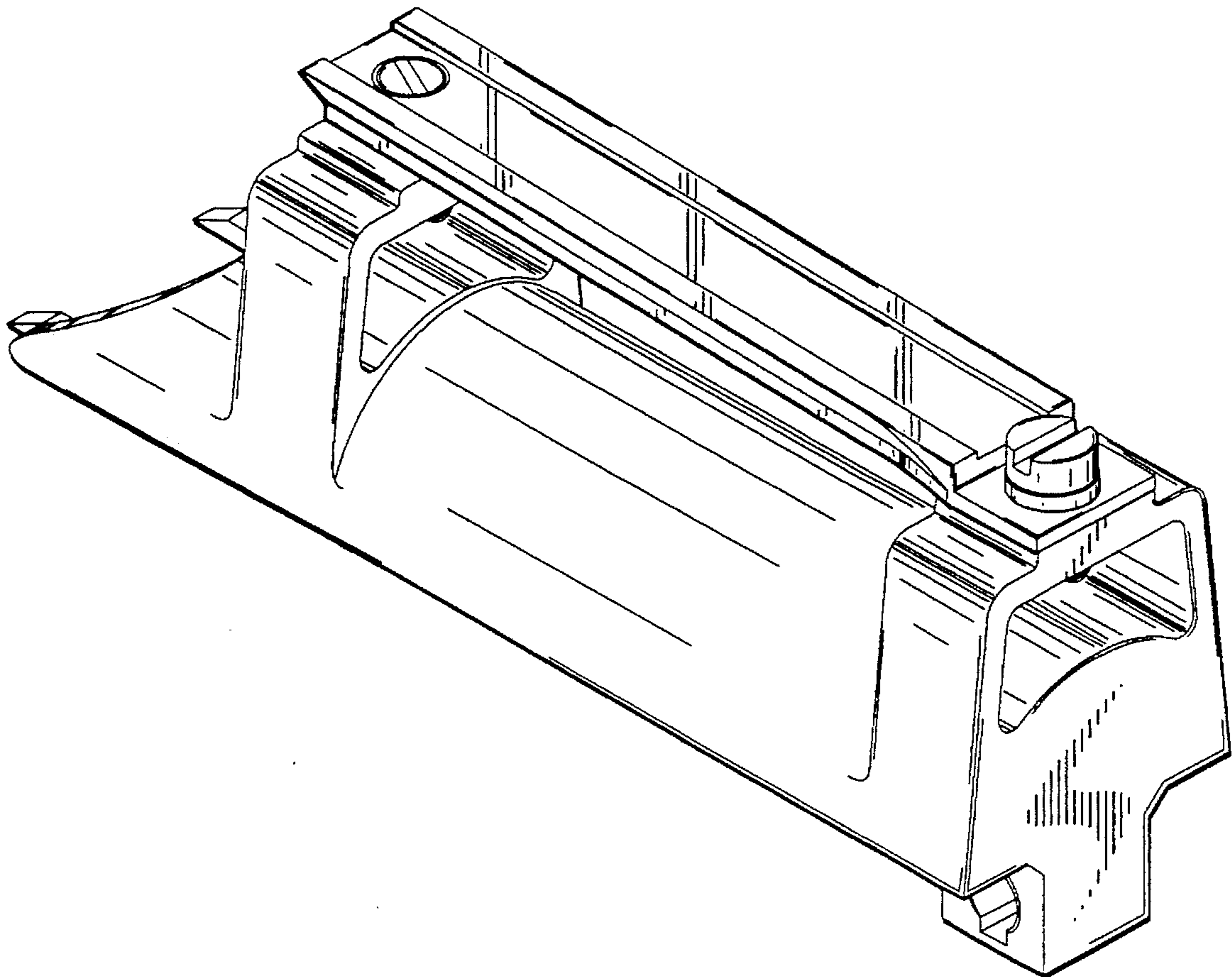
[58] Field of Search D22/110, 109; 42/100, 101, 103; 33/245, 261, 247, 248, 250, 259, 241

[56] References Cited

U.S. PATENT DOCUMENTS

D. 291,470	8/1987	Bechtel	D22/110
D. 318,708	7/1991	Bechtel	D22/110
D. 348,714	7/1994	Rubin et al.	D22/110

1 Claim, 2 Drawing Sheets



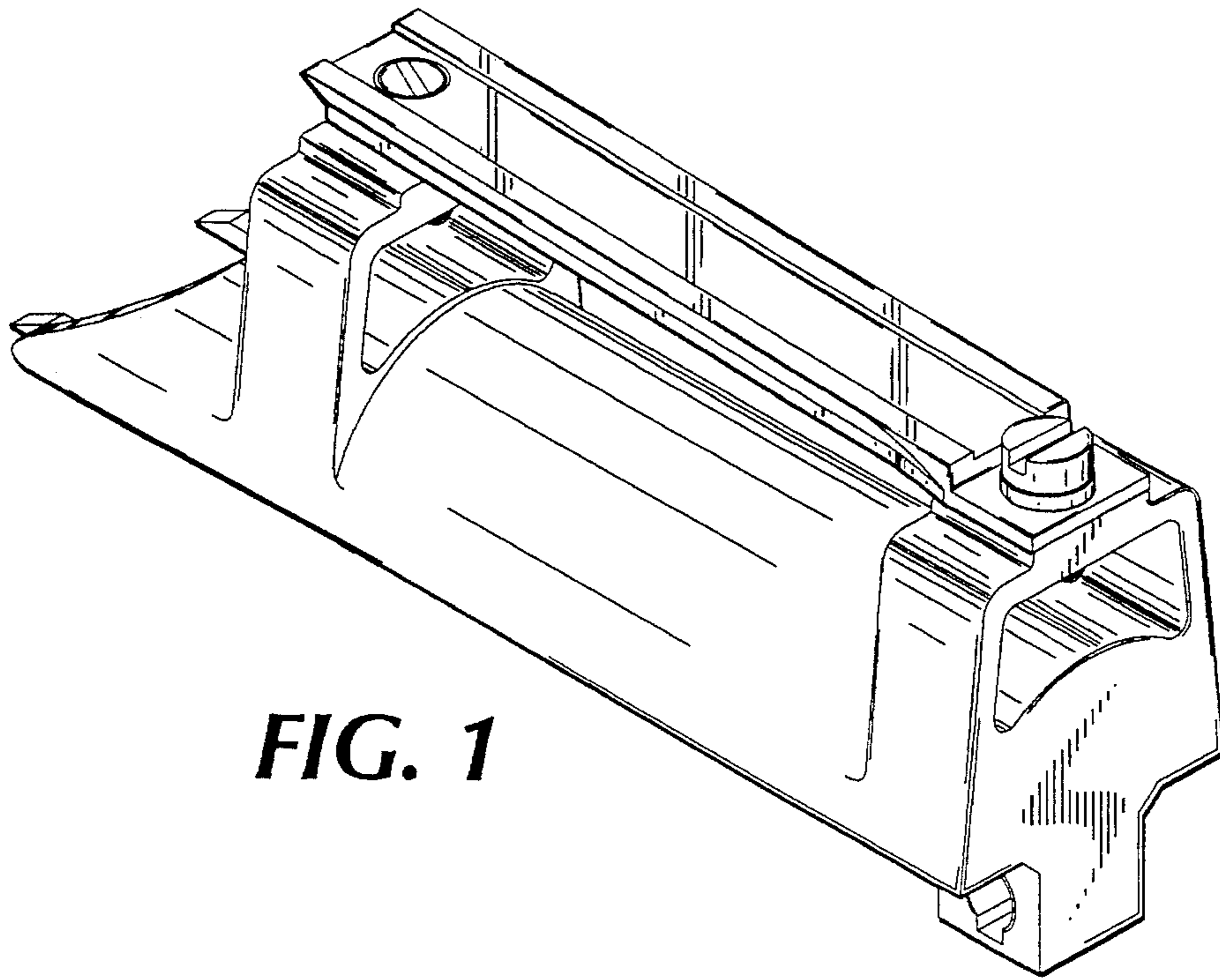


FIG. 1

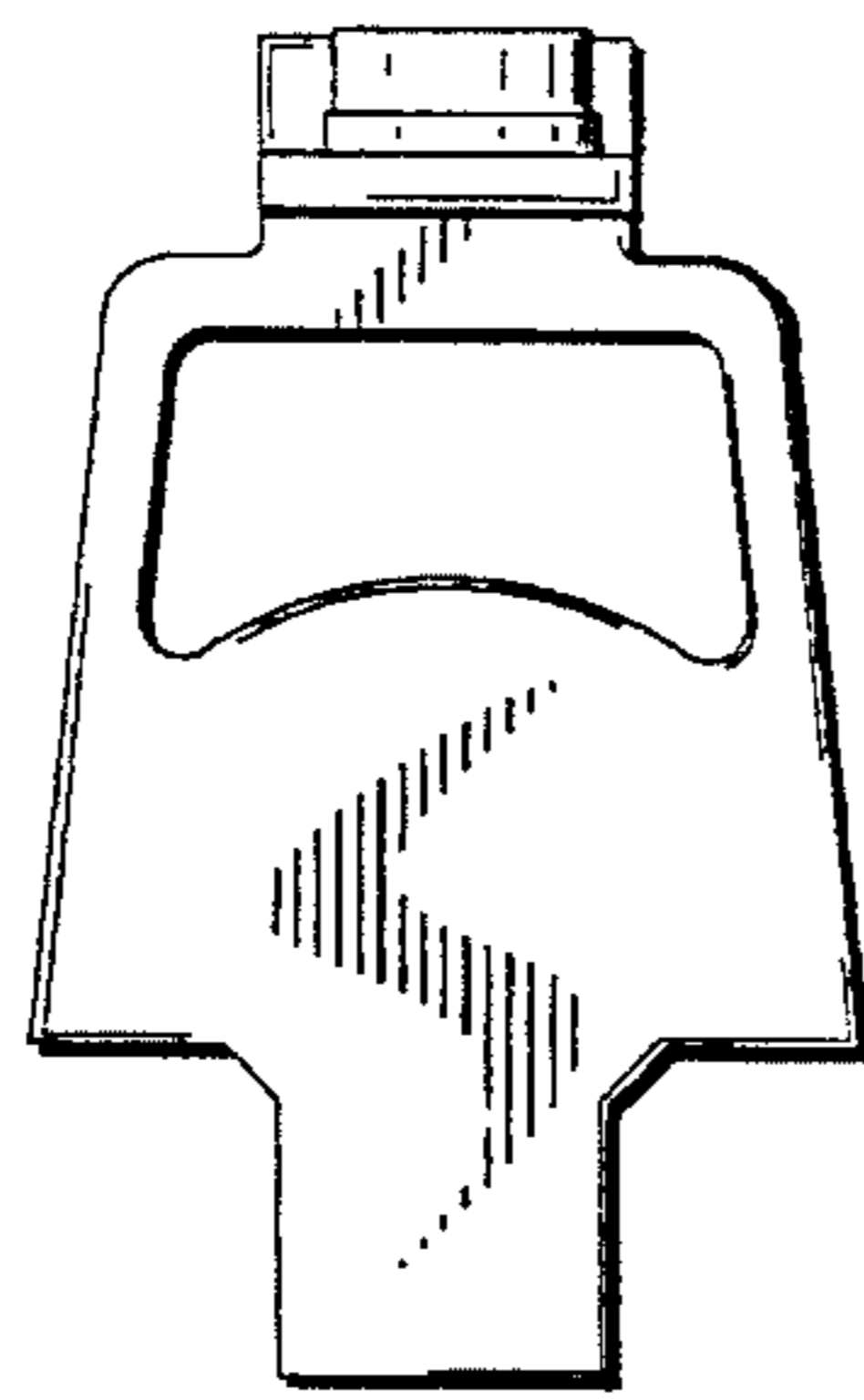


FIG. 2

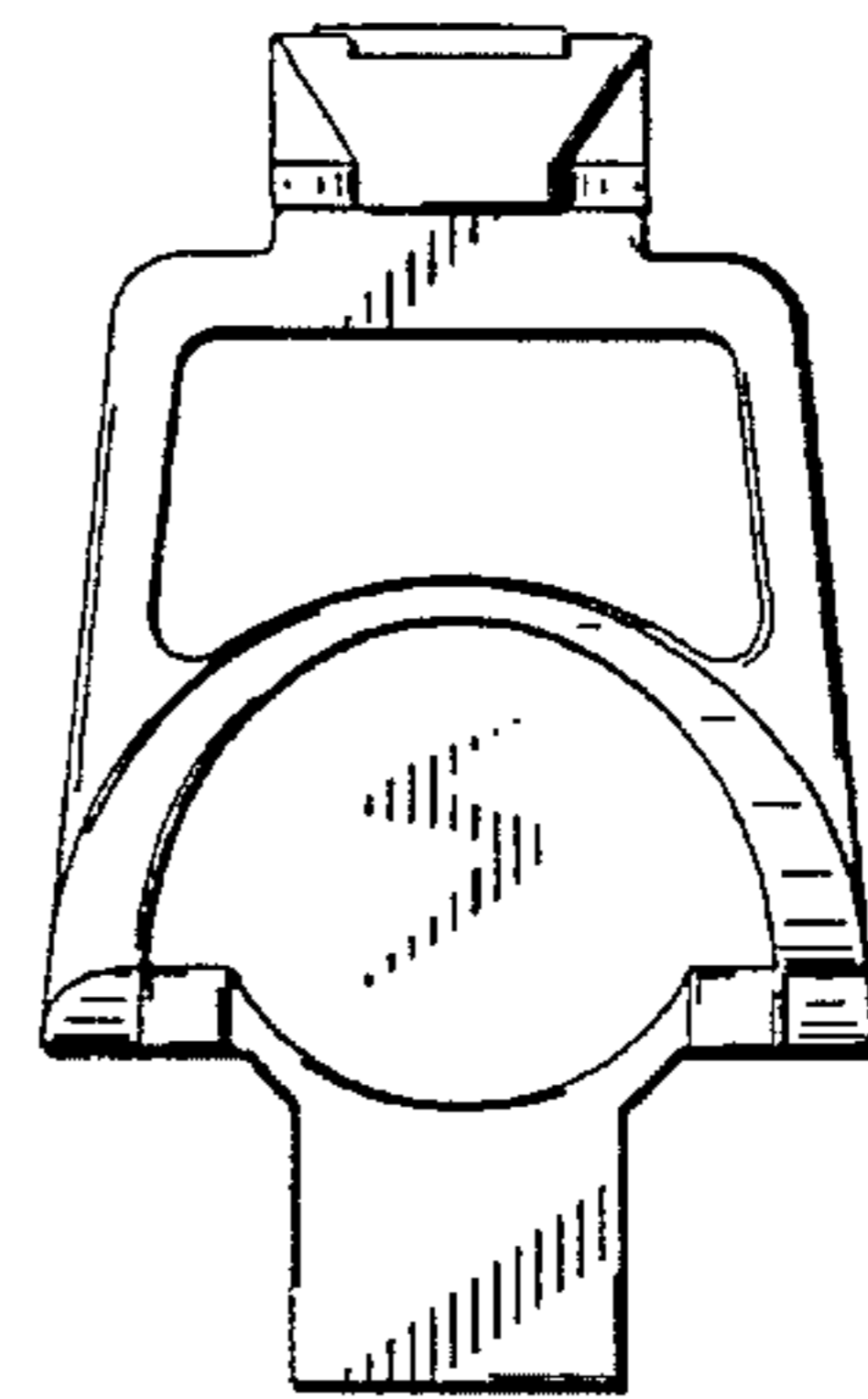


FIG. 3

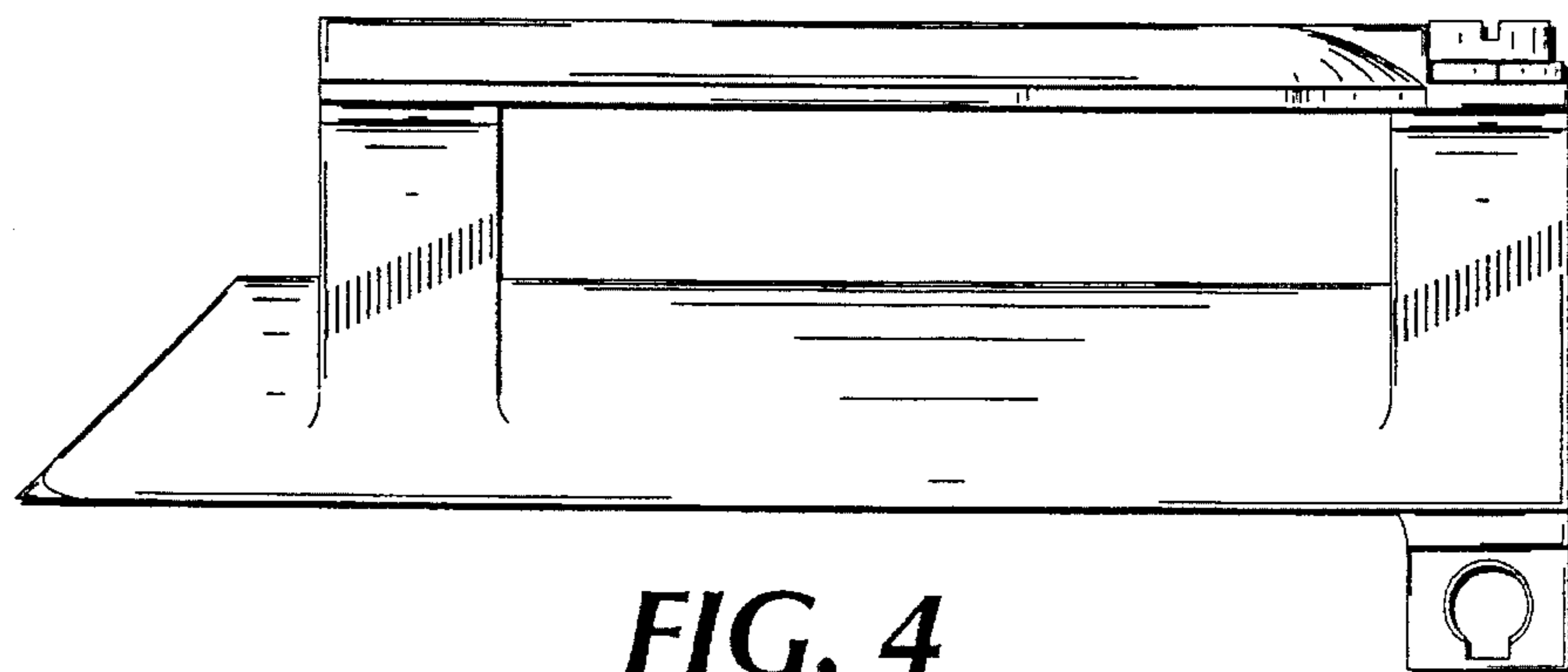


FIG. 4

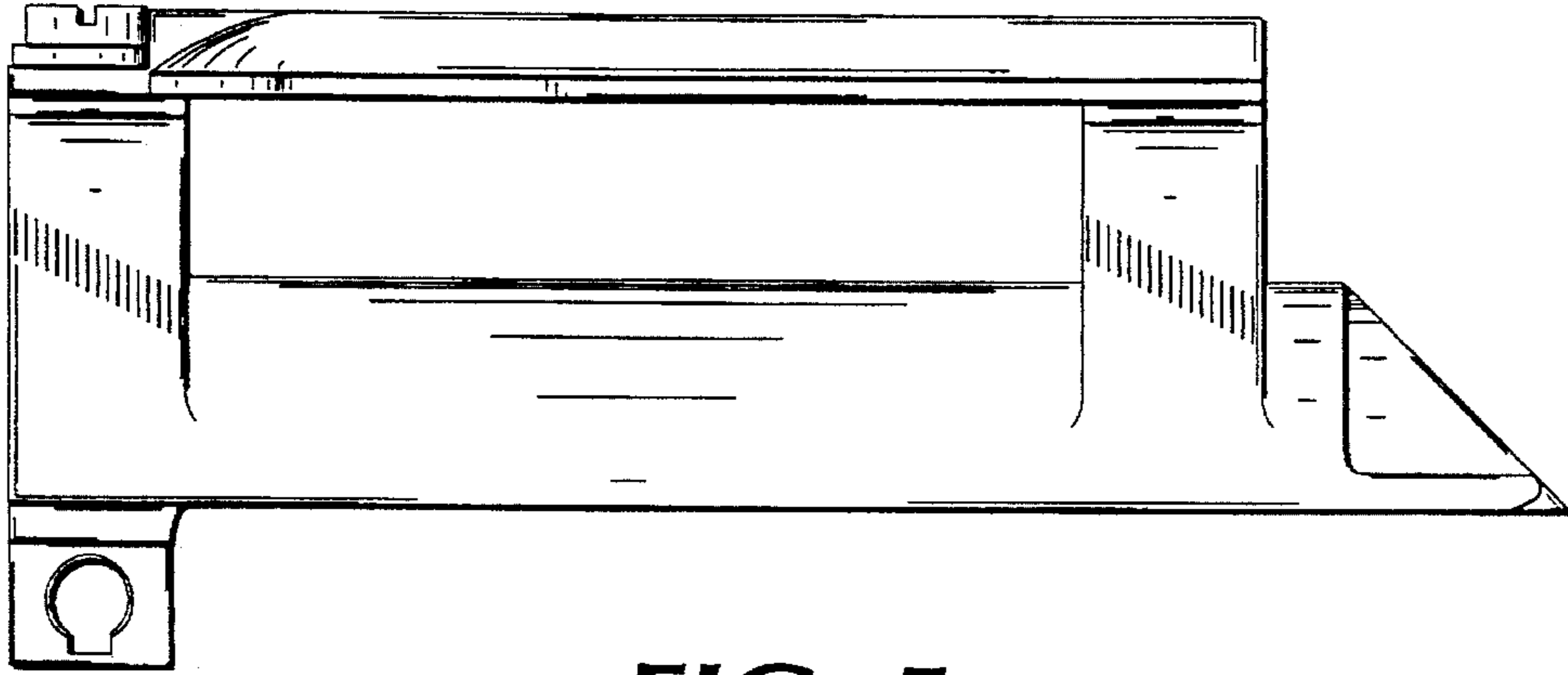


FIG. 5

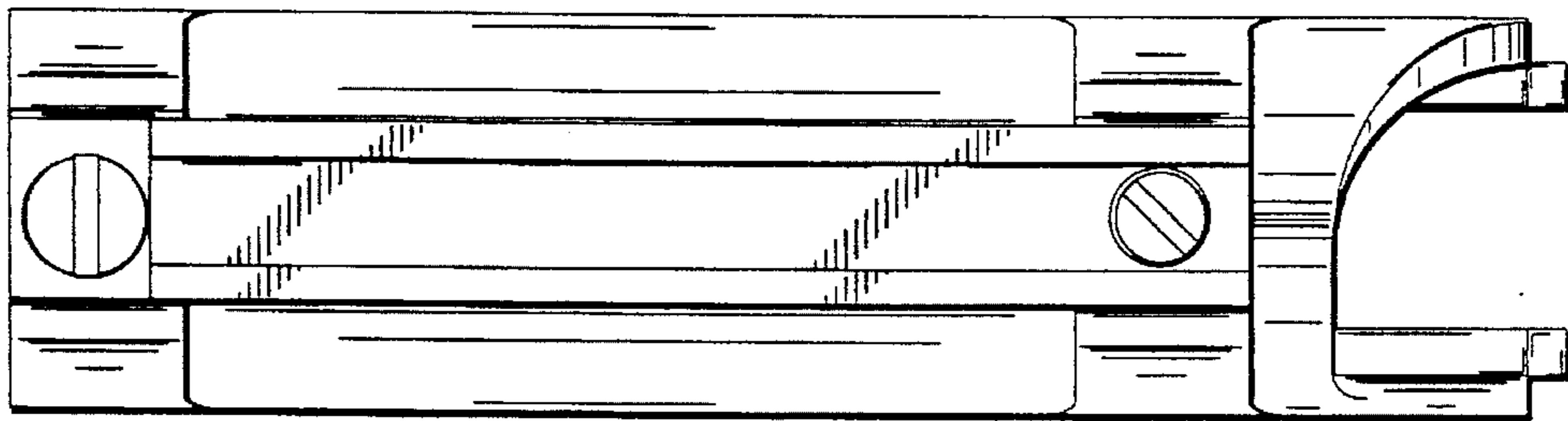


FIG. 6

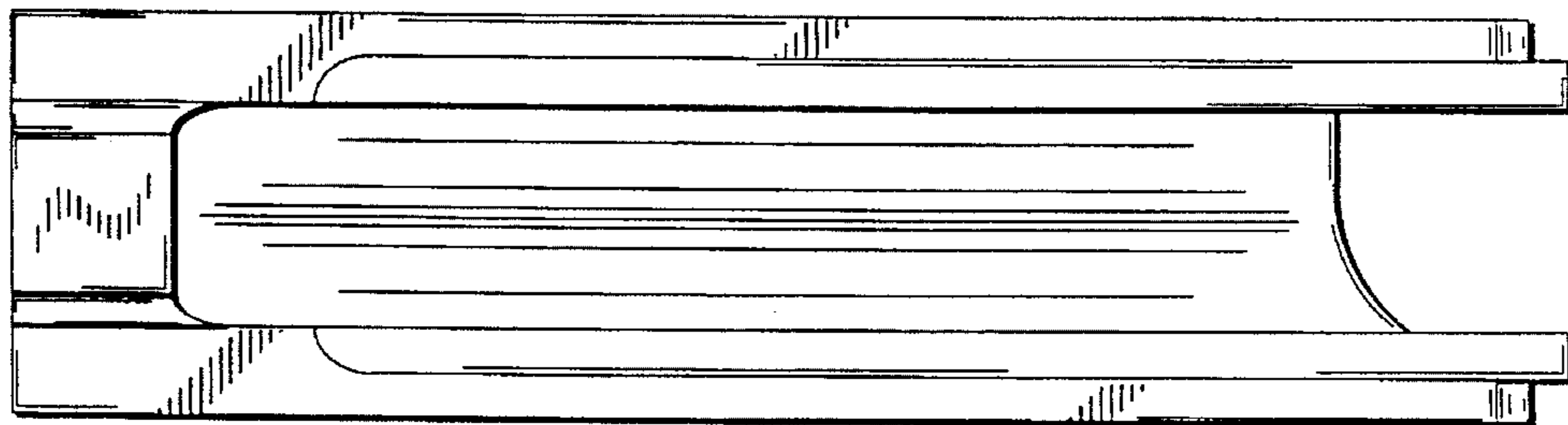


FIG. 7