



US00D364667S

United States Patent [19]
Pacha

[11] **Patent Number: Des. 364,667**
[45] **Date of Patent: **Nov. 28, 1995**

[54] **SNOW BOARD BINDING** 5,417,443 5/1995 Blattner et al. 280/14.2

[76] **Inventor: Duane E. Pacha**, 23707 Via Canon
#201, Newhall, Calif. 91321

Primary Examiner—Kay H. Chin
Attorney, Agent, or Firm—Poms, Smith, Lande & Rose

[**] **Term: 14 Years**

[57] **CLAIM**

[21] **Appl. No.: 36,403**

The ornamental design for a snow board binding, as shown and described.

[22] **Filed: Mar. 20, 1995**

[52] **U.S. Cl. D21/230**

DESCRIPTION

[58] **Field of Search** D21/228, 229,
D21/230; 280/607, 617, 14.2, 22.1, 28.16

FIG. 1 is a top plan view of a snow board binding showing my new design;

FIG. 2 is a side elevational view thereof, the opposite side view being a mirror image of that shown;

FIG. 3 is a front elevational view thereof;

FIG. 4 is a rear elevational view thereof; and,

FIG. 5 is a bottom plan view thereof.

[56] **References Cited**

U.S. PATENT DOCUMENTS

| | | | | |
|------------|---------|-----------|-------|----------|
| D. 308,997 | 7/1990 | Katz | | D21/230 |
| D. 346,419 | 4/1994 | Carpenter | | D21/230 |
| 4,979,760 | 12/1990 | Derrah | | 280/607 |
| 5,261,689 | 11/1993 | Carpenter | | 280/14.2 |

1 Claim, 2 Drawing Sheets

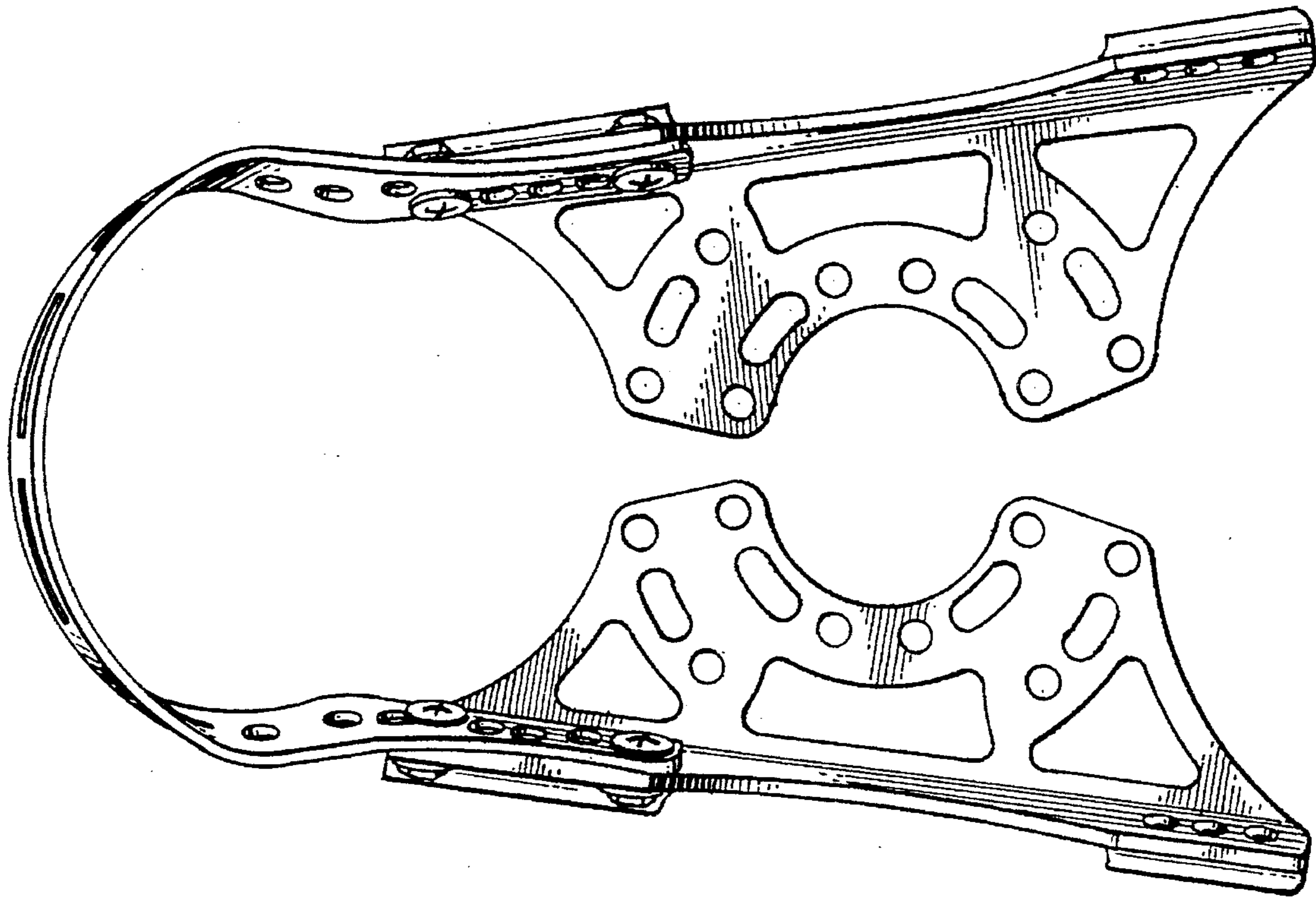


Fig. 1.

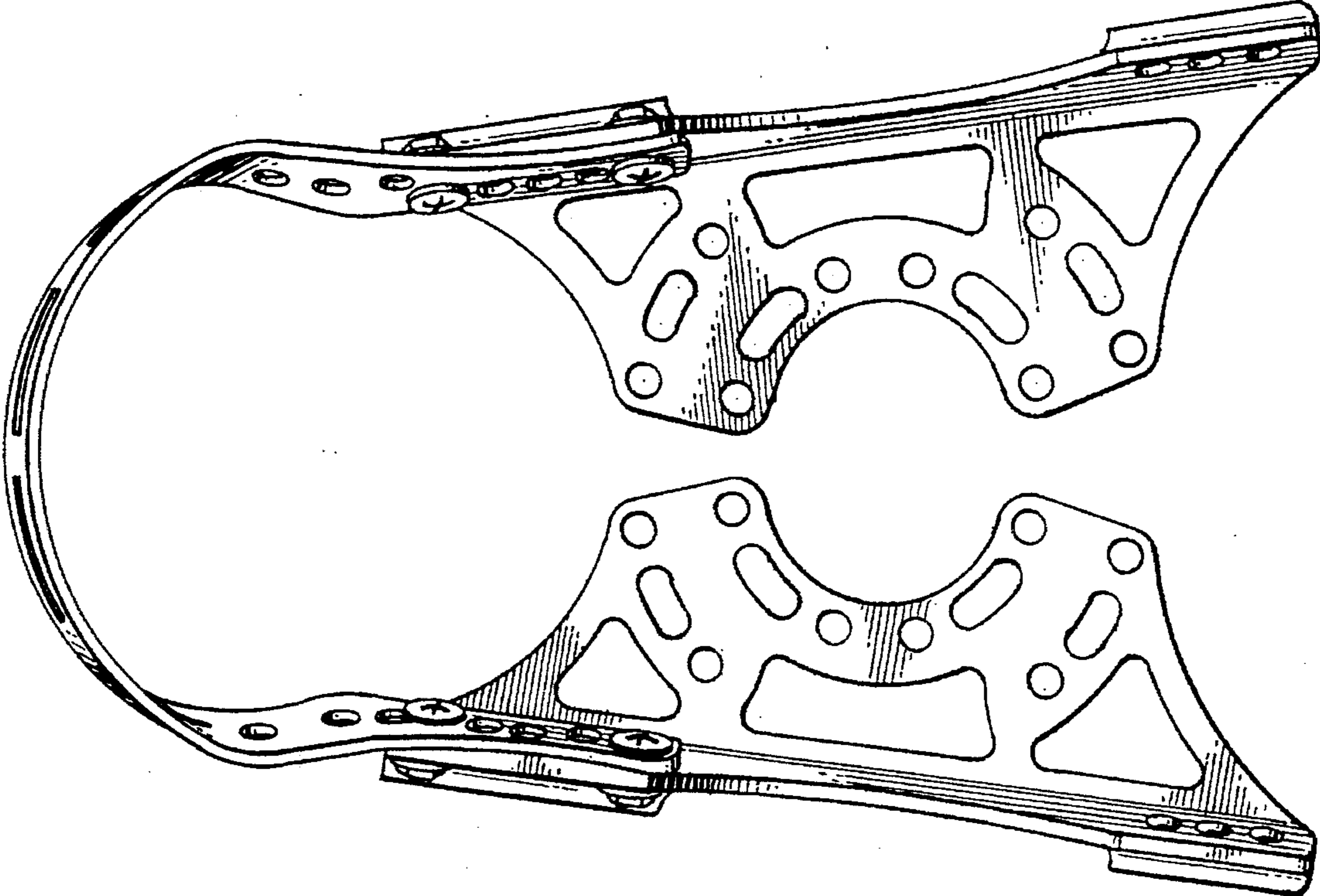


Fig. 2.

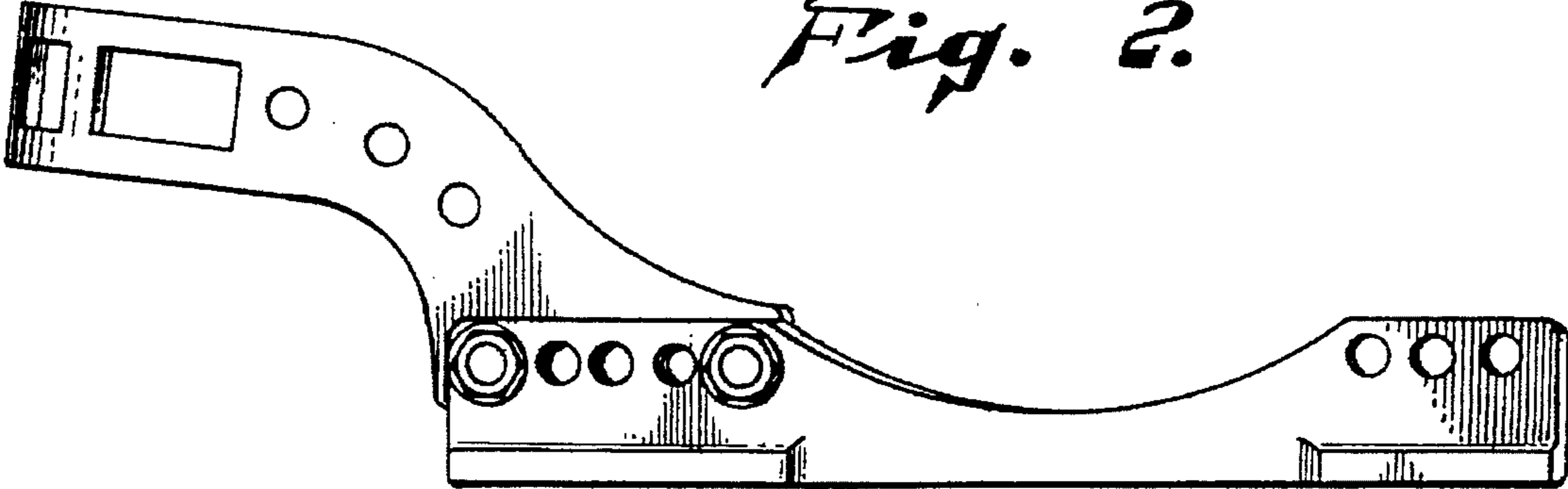


Fig. 3.

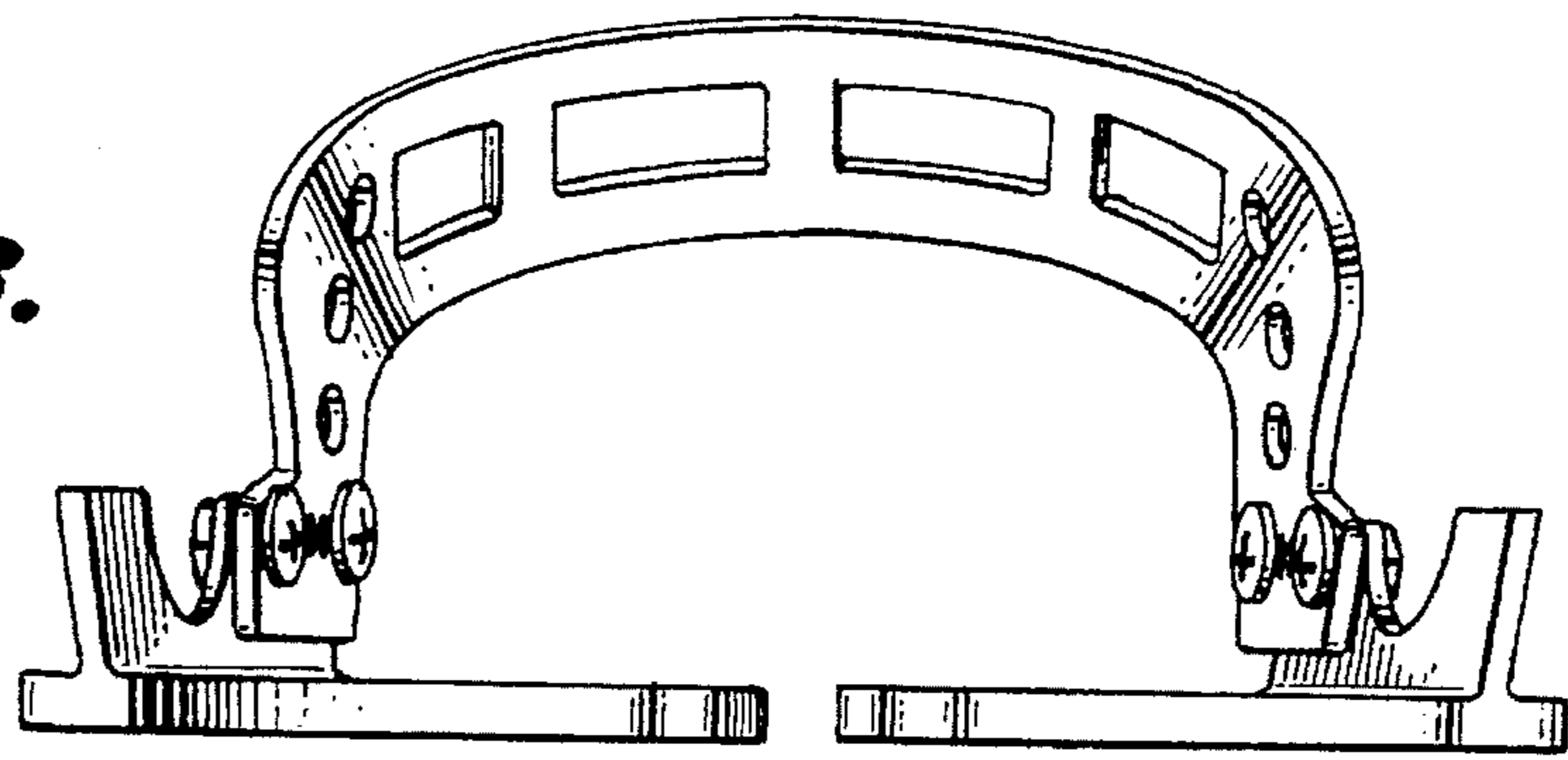


Fig. 4.

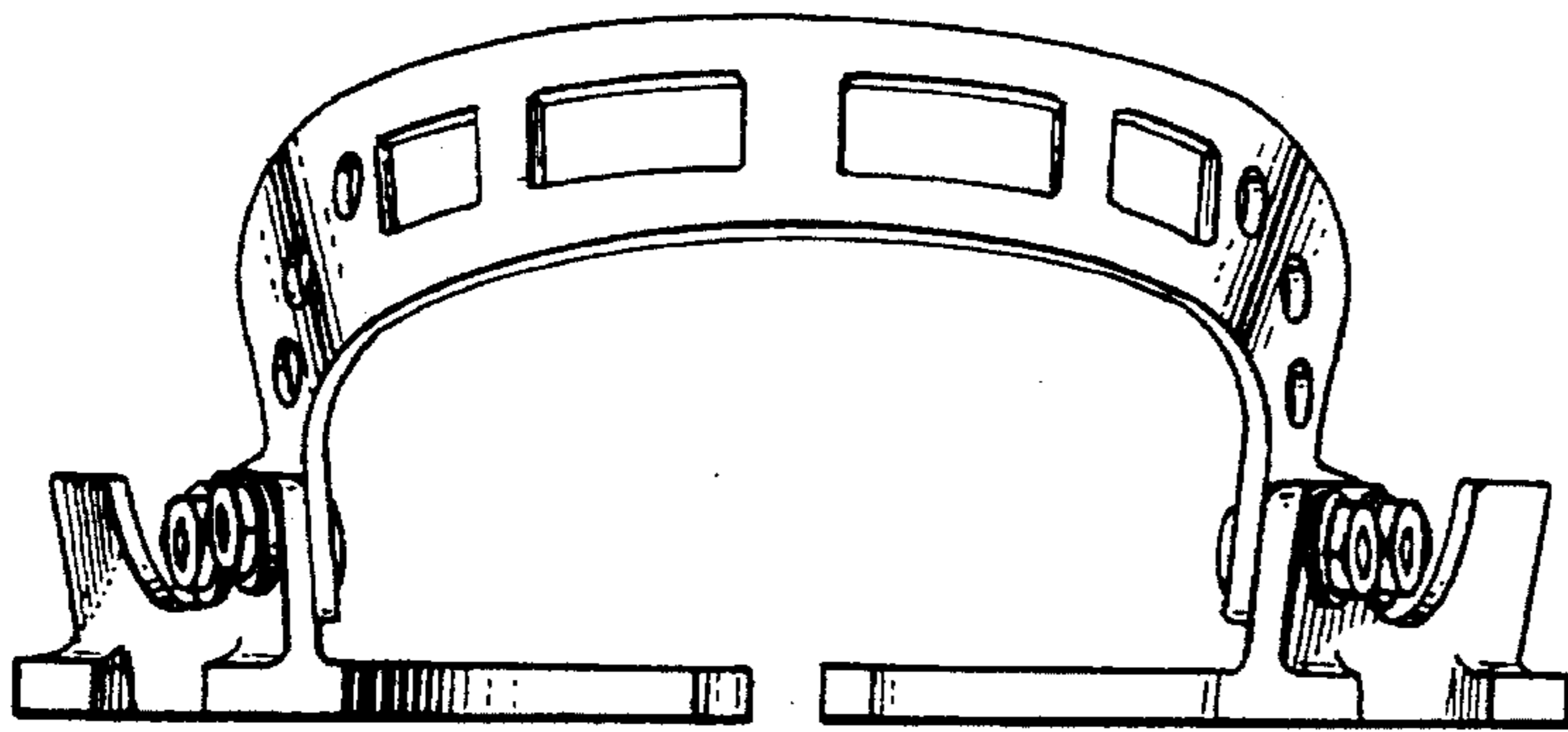


Fig. 5.

