



US00D364665S

United States Patent [19]
Goodrich

[11] **Patent Number: Des. 364,665**
[45] **Date of Patent: **Nov. 28, 1995**

[54] **GOLF CLUB HEAD**

[76] Inventor: **Burton J. Goodrich**, 1030 Timberline Dr., Portland, Oreg. 97201

[**] Term: **14 Years**

[21] Appl. No.: **29,243**

[22] Filed: **Sep. 30, 1994**

[52] U.S. Cl. **D21/217**

[58] Field of Search D21/214, 217-219;
273/167-175

[56] **References Cited**

U.S. PATENT DOCUMENTS

- D. 91,336 4/1932 Thompson .
- D. 209,301 11/1967 Comitz .
- D. 230,615 3/1974 Delgadillo D21/217 X
- 3,992,015 11/1976 Benson .
- 4,512,583 4/1985 Levegue de Vilmonn 273/168
- 4,951,949 8/1990 Kastenhuber .

Primary Examiner—Terry A. Wallace
Assistant Examiner—Mitchell I. Siegel
Attorney, Agent, or Firm—Eugene M. Eckelman

[57] **CLAIM**

The ornamental design for golf club head, as shown and described.

DESCRIPTION

FIG. 1 is a perspective view of the golf club head showing my new design;
FIG. 2 is a rear elevational view thereof;
FIG. 3 is a top plan view thereof;
FIG. 4 is a left side elevational view thereof;
FIG. 5 is a front elevational view thereof;
FIG. 6 is a right side elevational view thereof; and,
FIG. 7 is a bottom plan view thereof.
The broken line showing of a fragmented shaft is for illustrative purposes only and forms no part of the claimed design.

1 Claim, 1 Drawing Sheet

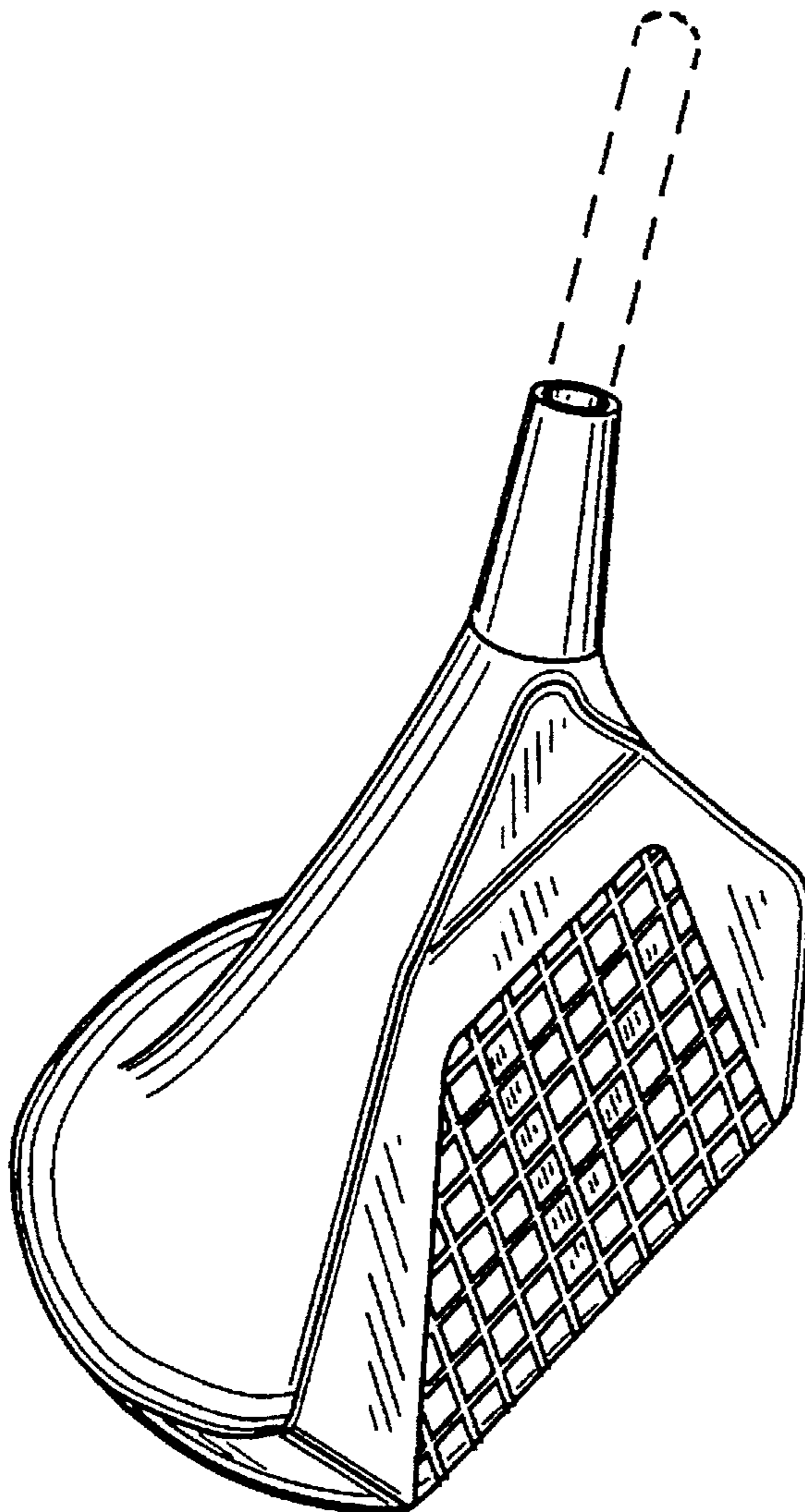


FIG. 1

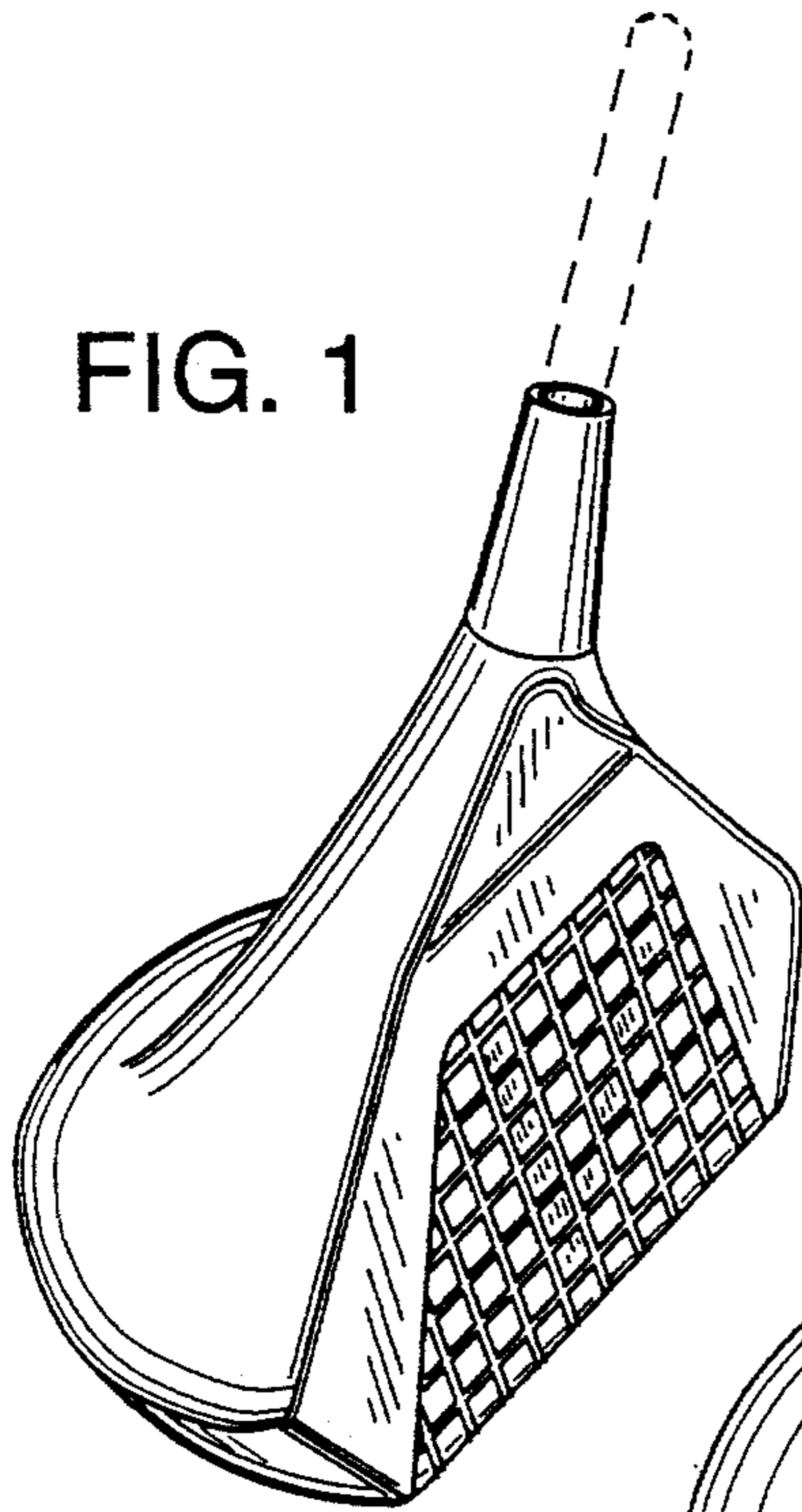


FIG. 2

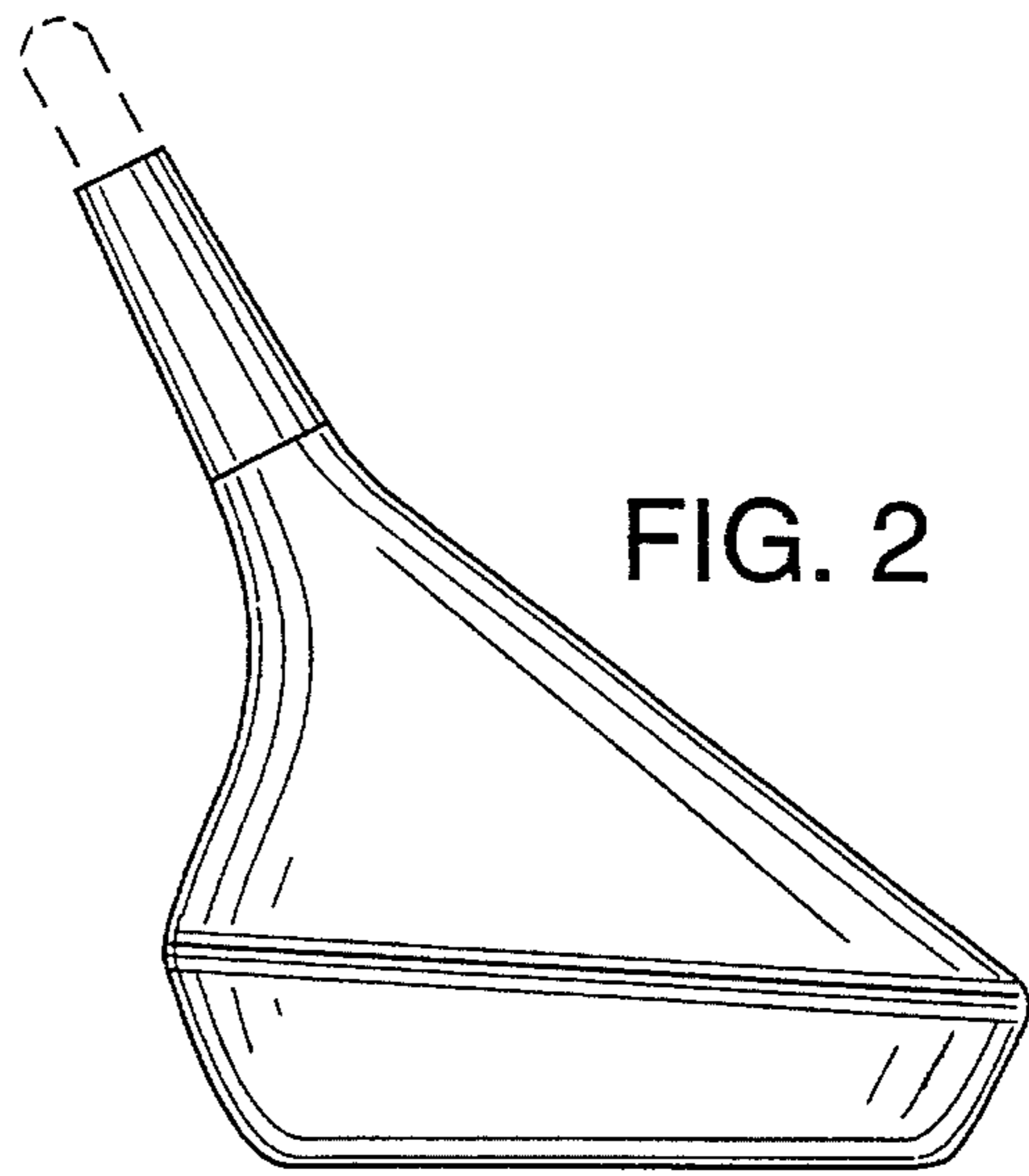


FIG. 3

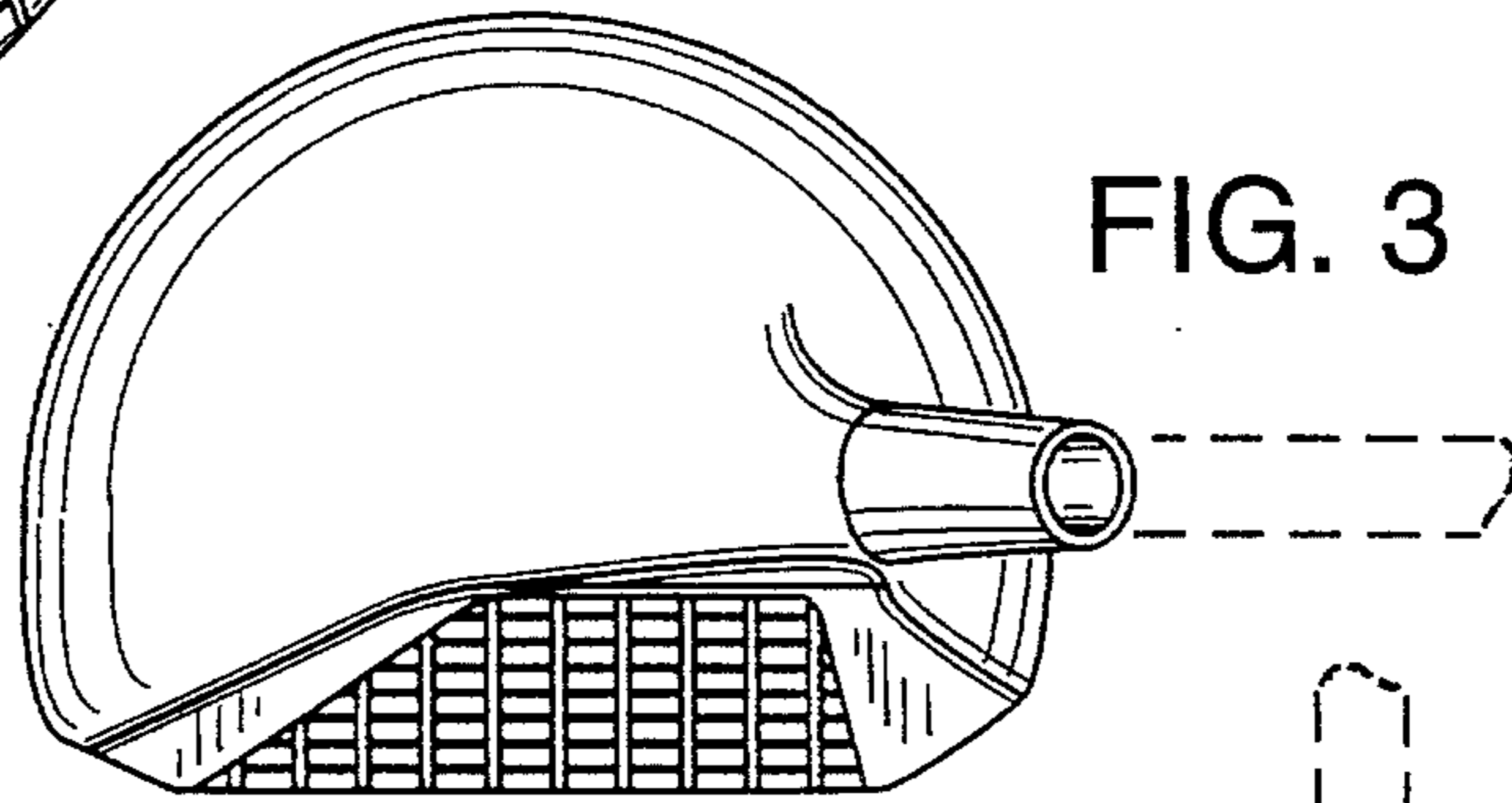


FIG. 4

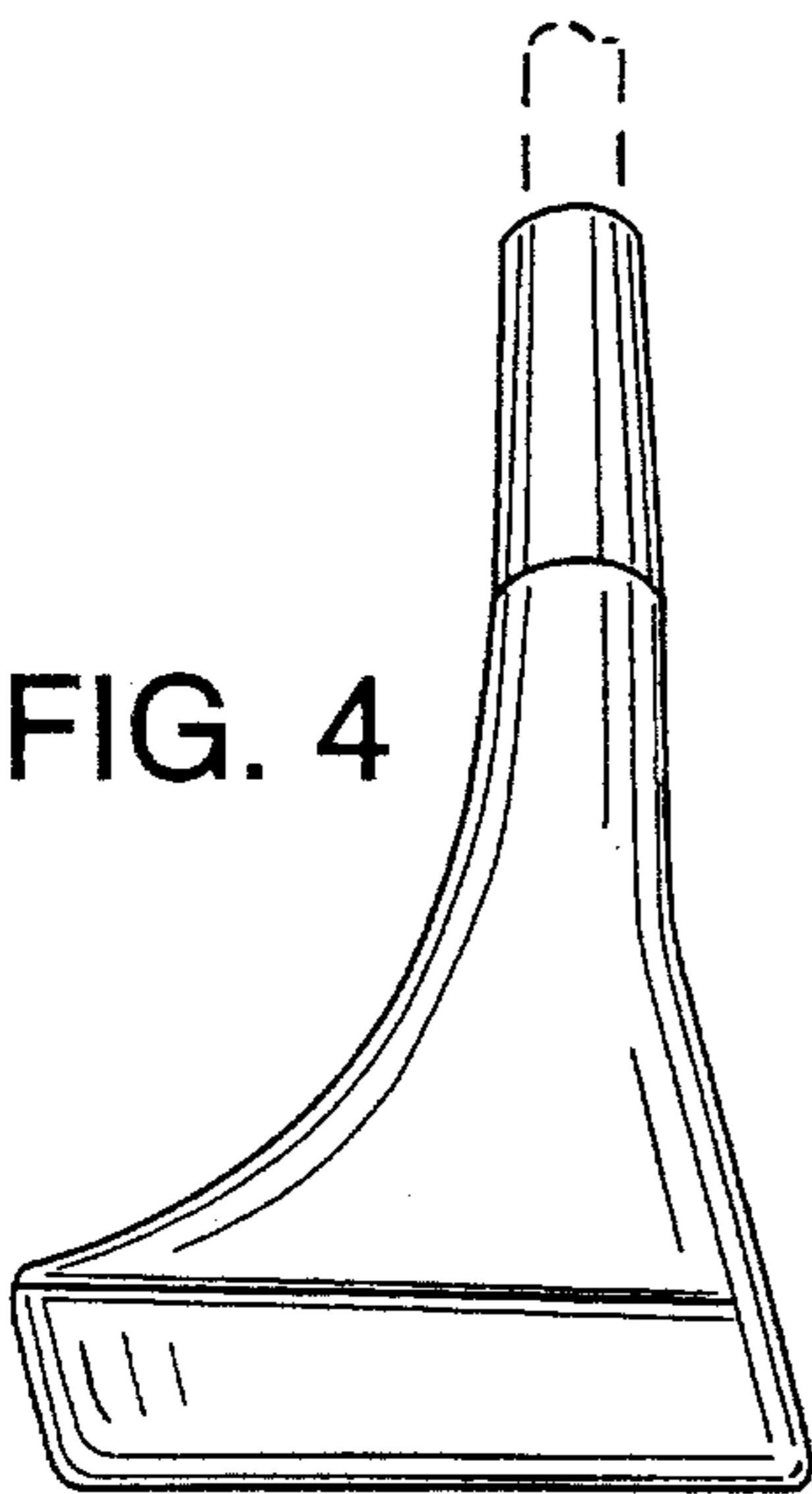


FIG. 5

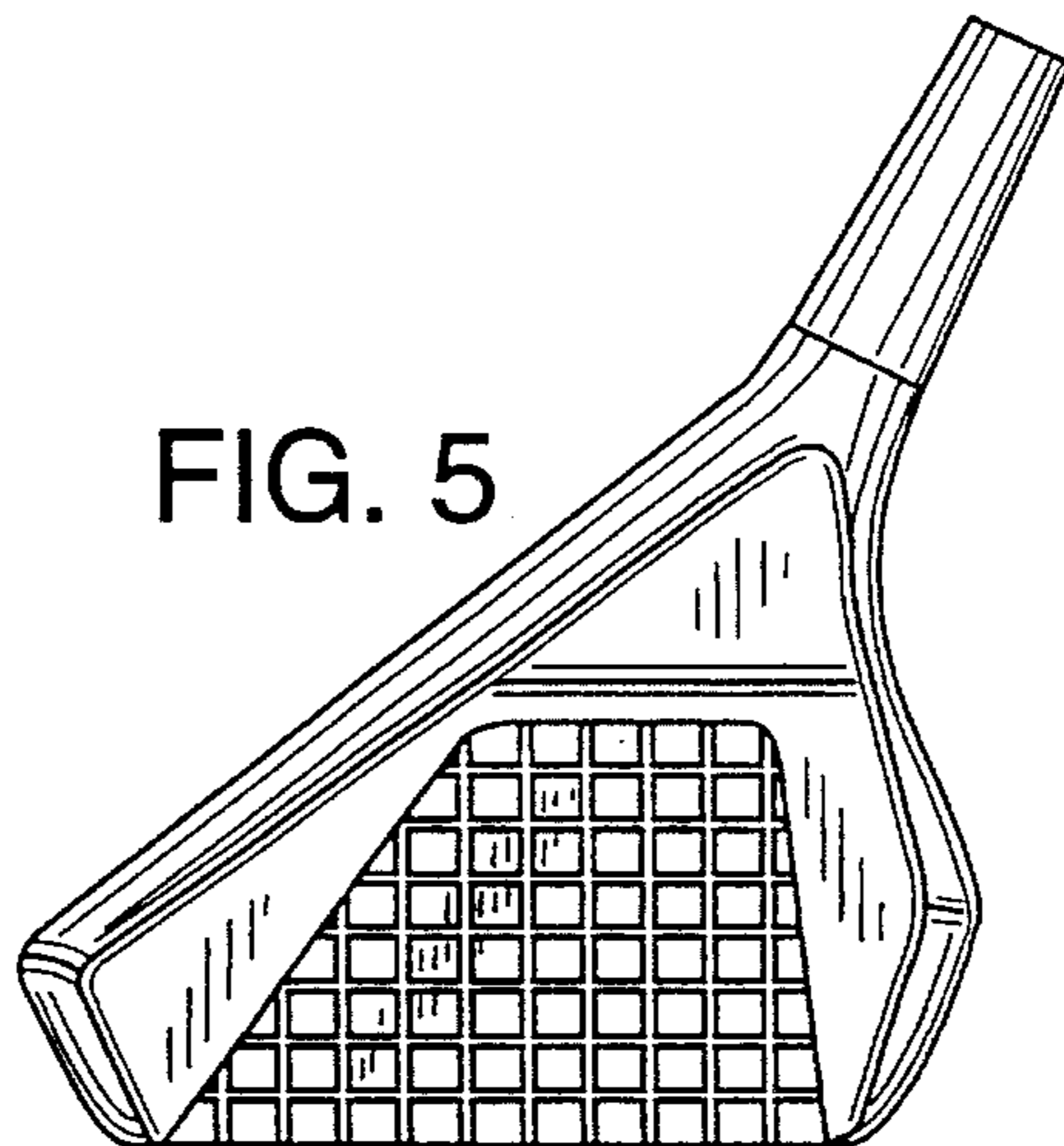


FIG. 6

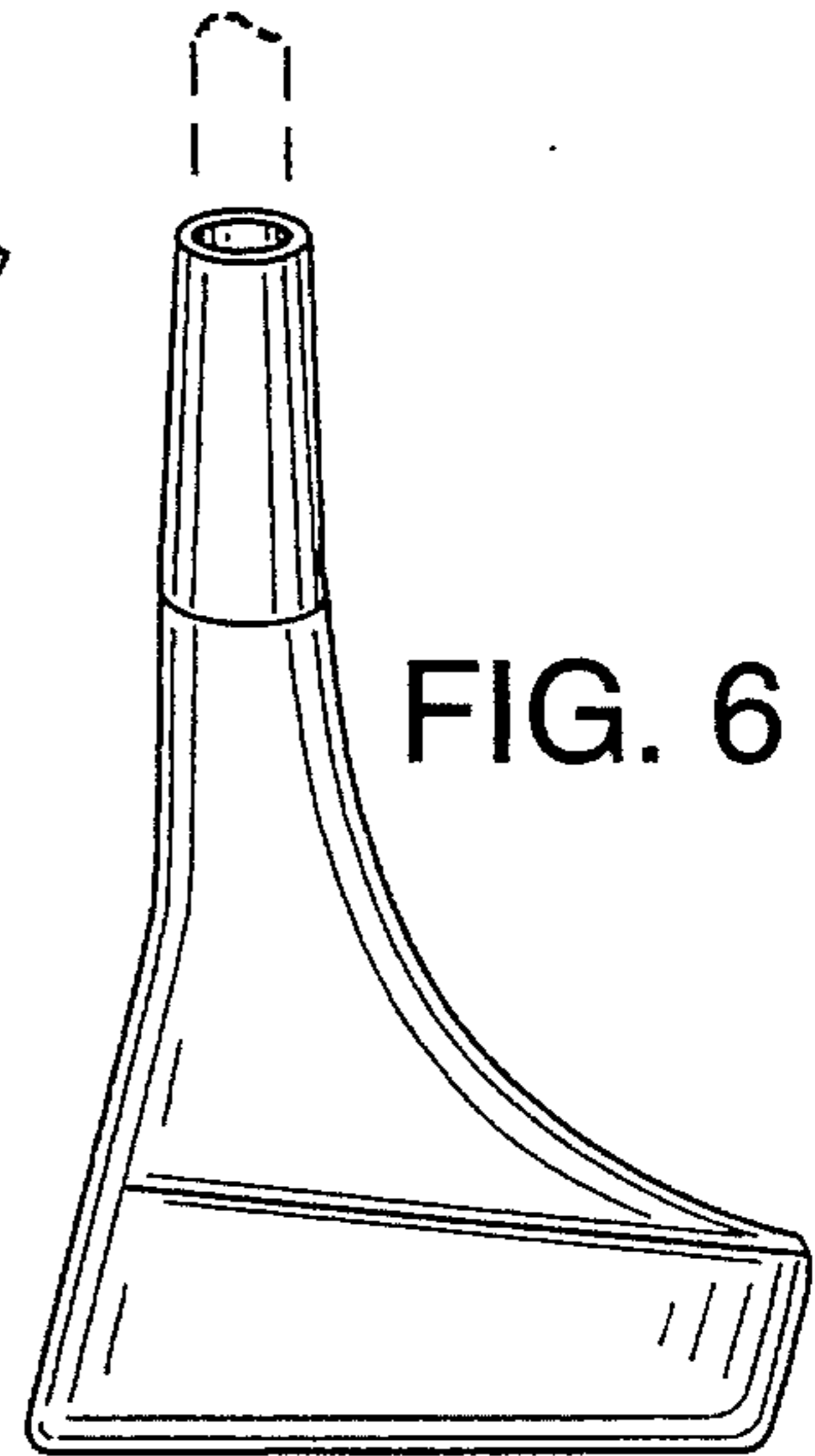


FIG. 7

