



US00D364662S

United States Patent [19]
Camfield et al.

[11] **Patent Number: Des. 364,662**
[45] **Date of Patent: **Nov. 28, 1995**

[54] **COMBINED BASE AND ARM MECHANISM FOR A SKI EXERCISE MACHINE**

4,813,667 3/1989 Watterson 482/70

(List continued on next page.)

[75] Inventors: **David K. Camfield**, Olney; **Jeffrey D. Metcalf**, Albion, both of Ill.

FOREIGN PATENT DOCUMENTS

[73] Assignee: **Roadmaster Corporation**, Olney, Ill.

1533710 1/1990 U.S.S.R. .

[**] Term: **14 Years**

OTHER PUBLICATIONS

[21] Appl. No.: **33,136**

Service Merchandise Catalog, 1993/94, p. 530 Ski Exercisers 8, 9, 10, 11, and 12.

[22] Filed: **Jan. 5, 1995**

"Ski treadmill", *Popular Science*, Oct. 1981; p. 80.

Brochure entitled: "A step in the right direction . . . NordicTrack", 2 pages; 1984.

Related U.S. Application Data

"NordicTrack's EasySki"; *The Wall Street Journal*, p. B4 Feb. 14, 1994.

[62] Division of Ser. No. 24,843, Jun. 22, 1994, which is a continuation of Ser. No. 9,717, Jan. 27, 1993, Pat. No. 5,338,273.

[52] **U.S. Cl.** **D21/191**

[58] **Field of Search** D21/191, 192, D21/193, 194, 195; 482/70, 51, 52, 53, 54, 71

Primary Examiner—Ted Shooman

Assistant Examiner—Philip Hyder

Attorney, Agent, or Firm—William Brinks Hofer Gilson & Lione

[57] **CLAIM**

[56] **References Cited**

The ornamental design for a combined base and arm mechanism for a ski exercise machine, as shown and described.

U.S. PATENT DOCUMENTS

DESCRIPTION

D. 299,369	1/1989	Smith et al.	D21/191
D. 303,131	8/1989	Lo	D21/192
D. 315,764	3/1991	Friedebach	D21/191
D. 328,934	8/1992	Friedebach	D21/191
D. 343,214	1/1994	Easley et al.	D21/191
D. 345,593	3/1994	Gerschefske et al.	D21/191
D. 345,998	4/1994	Gresko	D21/191
D. 351,435	10/1994	Peterson et al.	D21/191
D. 352,535	11/1994	Miller	D21/191
1,982,843	12/1934	Traver .	
4,023,795	6/1977	Pauls .	
4,434,981	3/1984	Norton .	
4,512,571	4/1985	Hermelin .	
4,529,194	7/1985	Haaheim .	
4,618,139	10/1986	Haaheim .	
4,645,201	2/1987	Evans .	
4,659,077	4/1987	Stropkay .	
4,679,786	7/1987	Rodgers .	
4,709,918	12/1987	Grinblat .	
4,728,102	3/1988	Pauls .	
4,743,015	5/1988	Marshall .	
4,804,178	2/1989	Friedebach .	

FIG. 1 is a right, front perspective view of a combined base and arm mechanism for a ski exercise machine showing our new design;

FIG. 2 is a right right side elevational view thereof;

FIG. 3 is a left side elevational view thereof;

FIG. 4 is a front elevational view thereof;

FIG. 5 is a rear elevational view thereof;

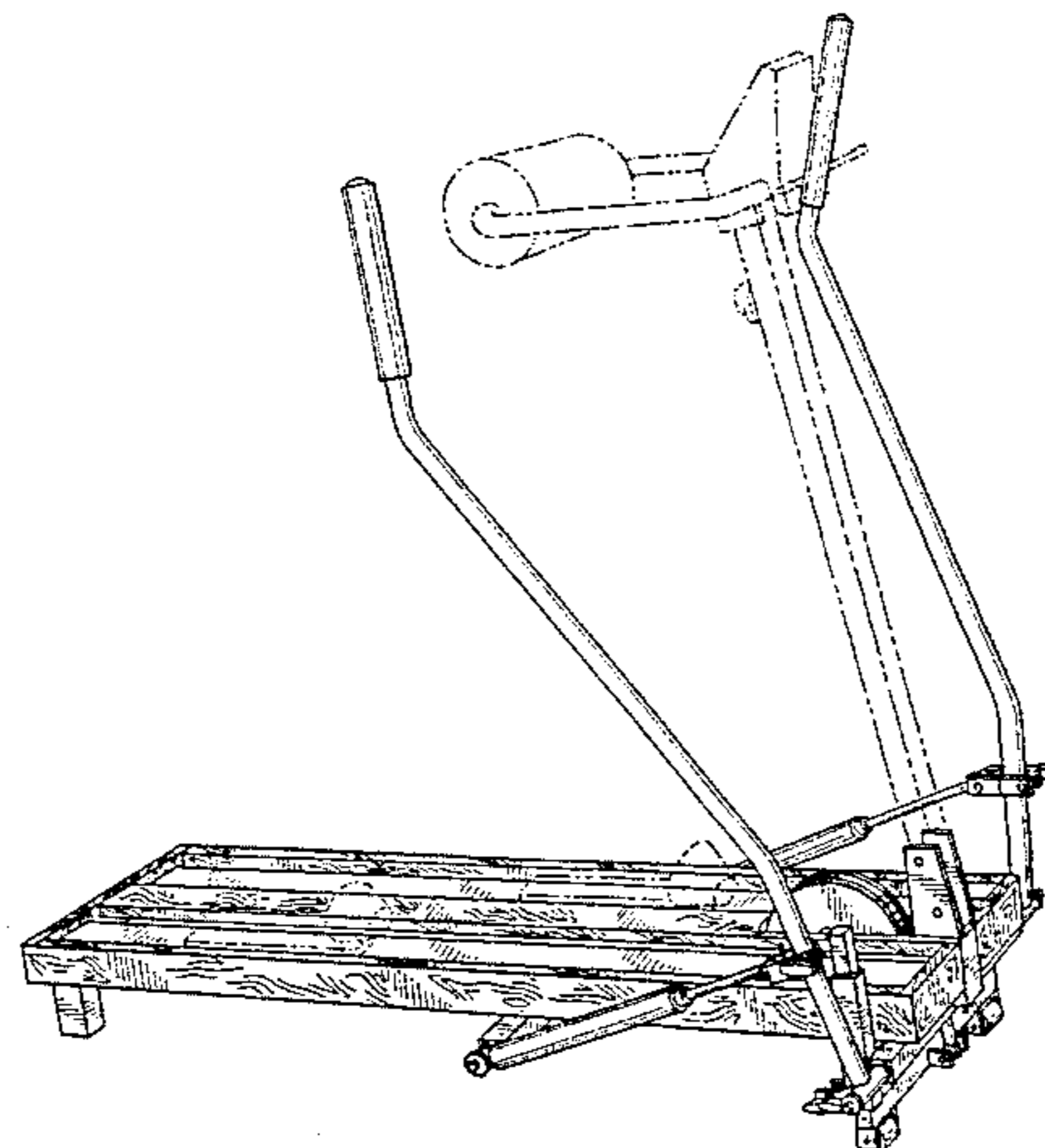
FIG. 6 is a top plan view thereof;

FIG. 7 is a bottom plan view thereof; and,

FIG. 8 is a right front perspective view of a second embodiment of our new design, the other views being like views 2-7 but, like FIG. 8, excluding the wood grain on the surfaces.

The broken line showing of the foot trolleys and handlebar assembly of the ski exercise machine in FIG. 1 through 8 is for illustration purposes only and forms no part of the claimed design.

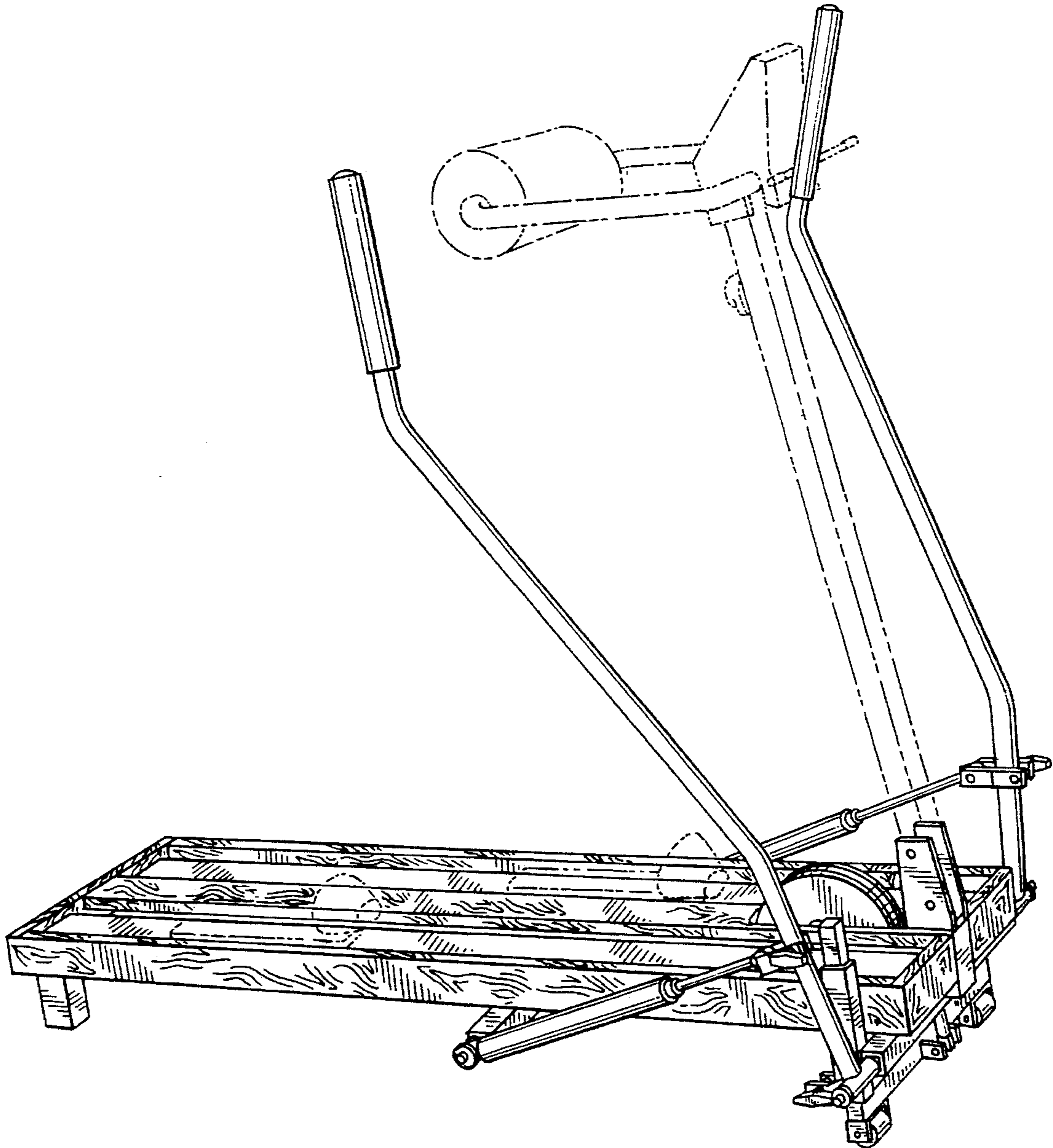
1 Claim, 7 Drawing Sheets



U.S. PATENT DOCUMENTS

4,826,152	5/1989	Lo	482/70	5,145,481	9/1992	Friedebach	482/70
4,867,443	9/1989	Jensen	482/70	5,181,894	1/1993	Shieng	482/70
4,948,121	8/1990	Haaheim et al.	482/70	5,226,866	7/1993	Engel	482/70
4,960,276	10/1990	Feuer et al. .		5,230,677	7/1993	Chi	482/70
4,979,731	12/1990	Hermelin .		5,246,412	9/1993	Chen	487/70
5,000,442	3/1991	Dalebout et al.	482/70	5,277,678	1/1994	Friedebach	482/70
5,064,190	11/1991	Holt .		5,299,996	4/1994	Chi	482/70
5,108,093	4/1992	Watterson	482/70	5,338,273	8/1994	Metcalf et al.	482/70
				5,342,264	8/1994	Gordon	482/70

FIG. 1



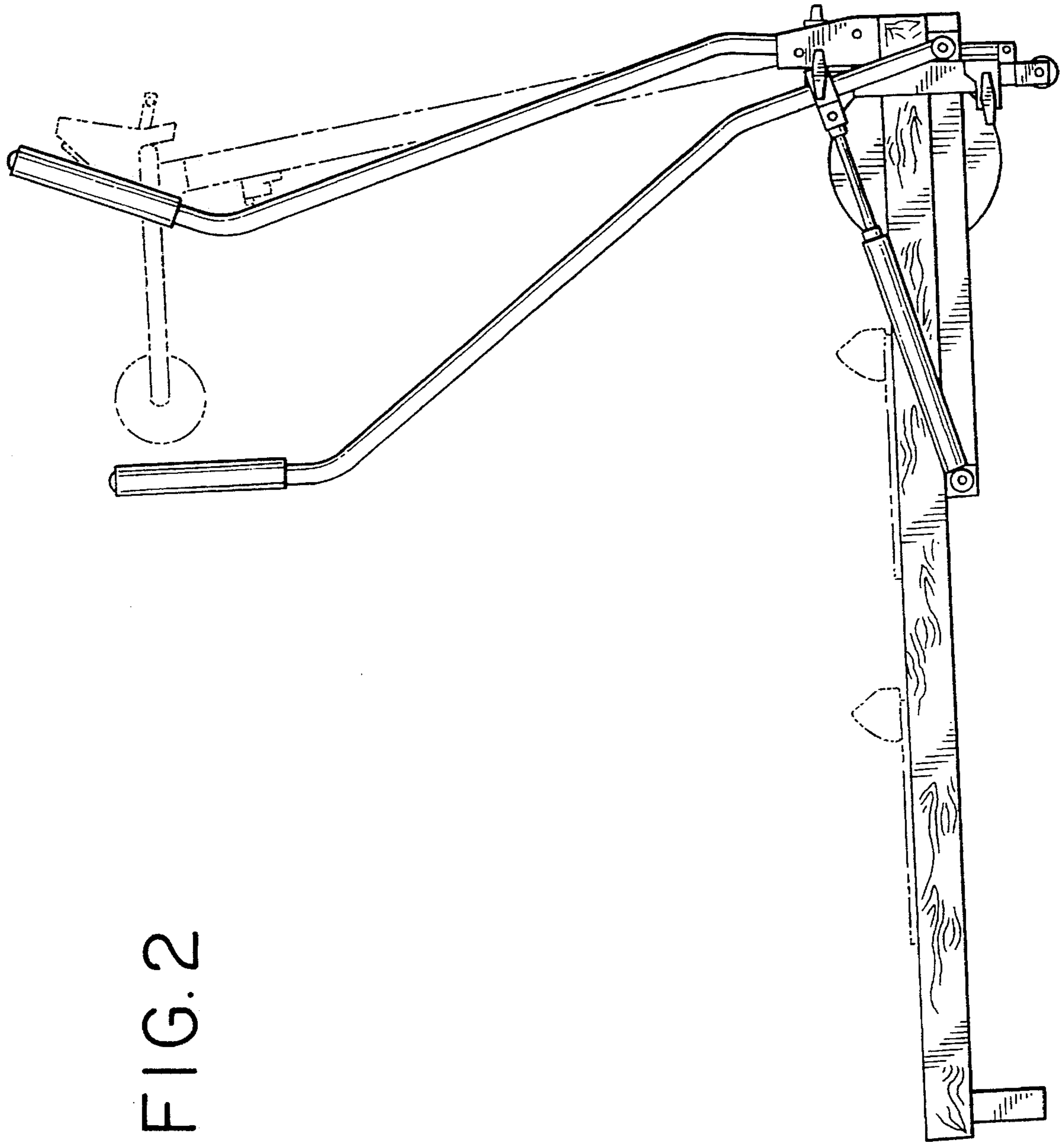


FIG. 2

FIG. 3

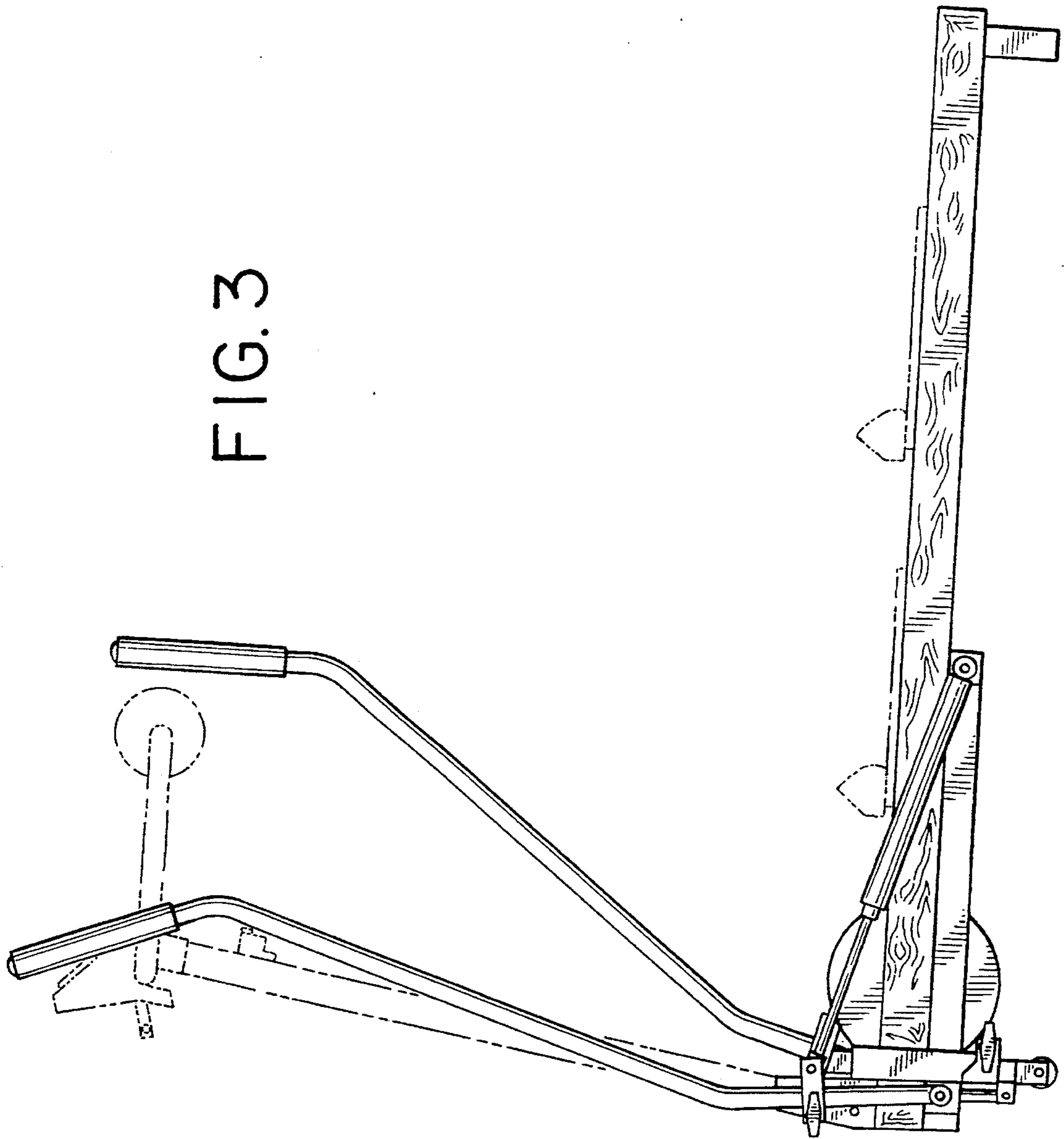


FIG. 5

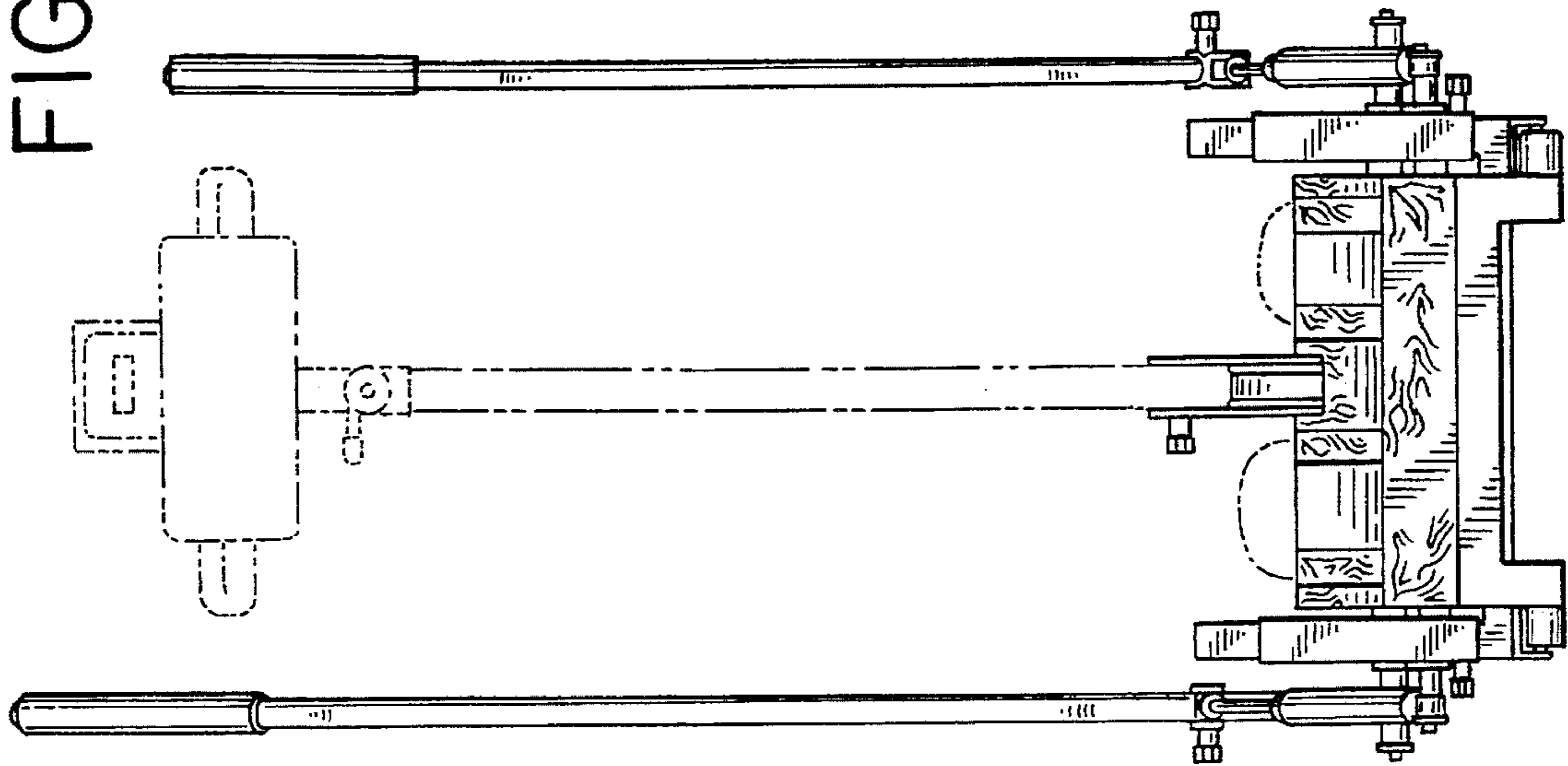


FIG. 4

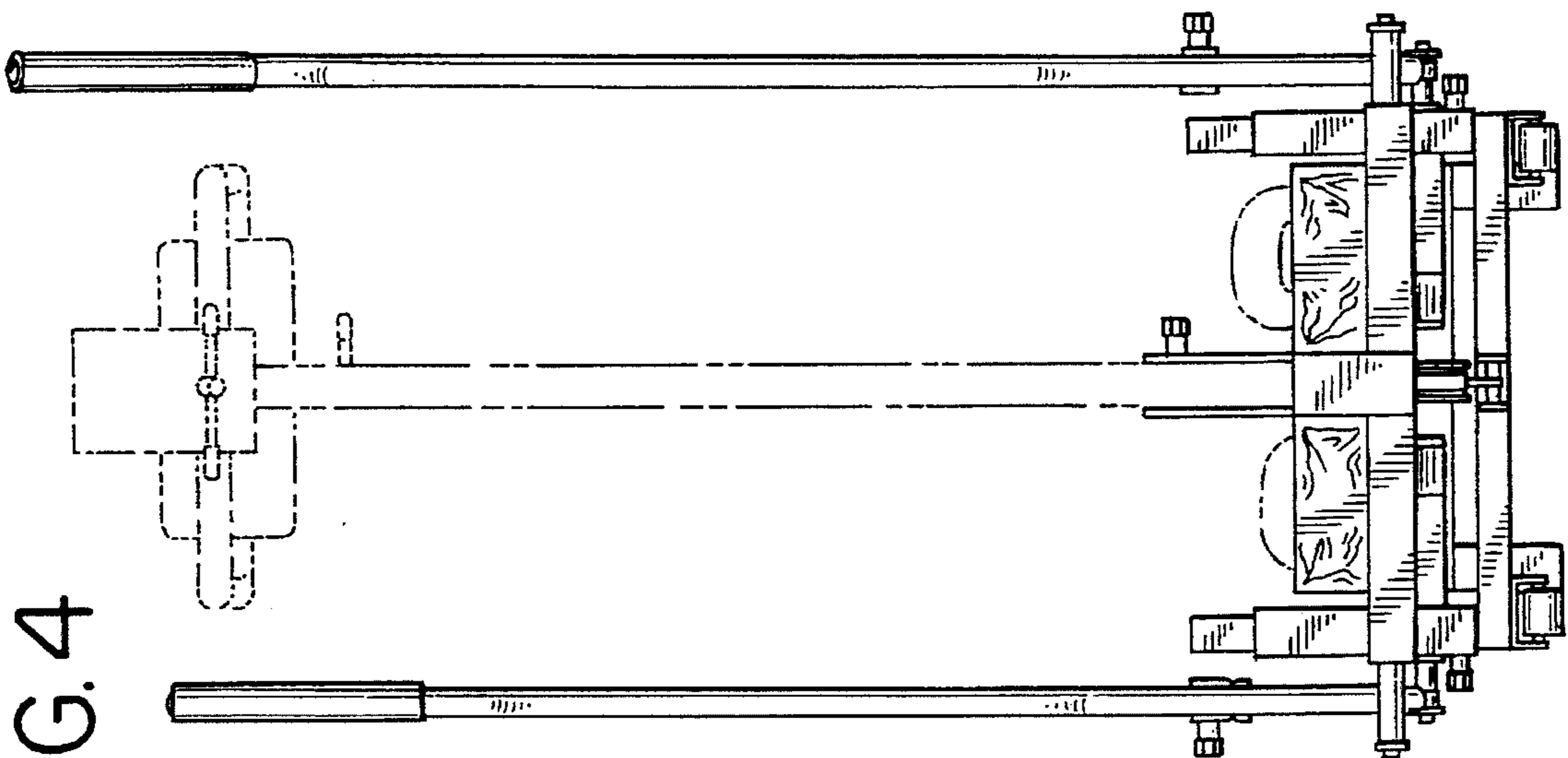
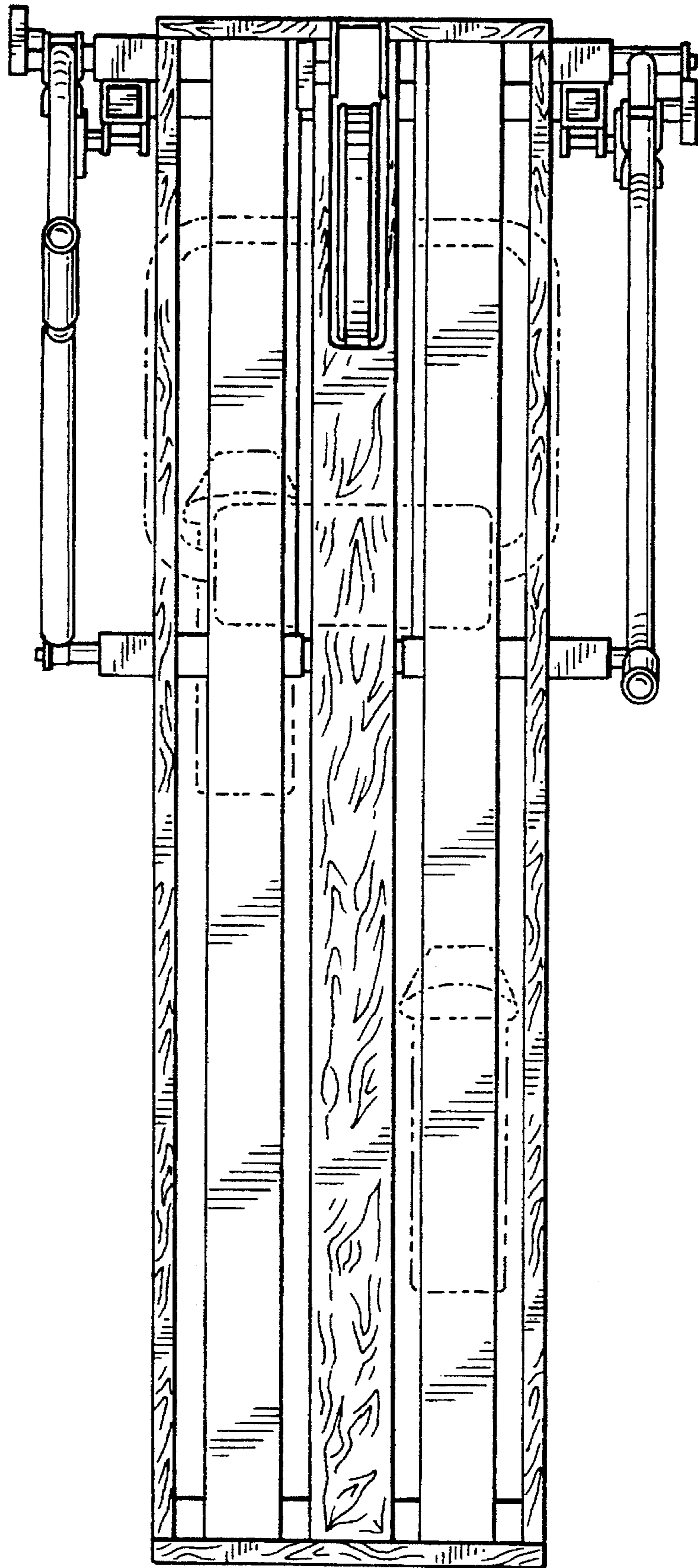


FIG. 6



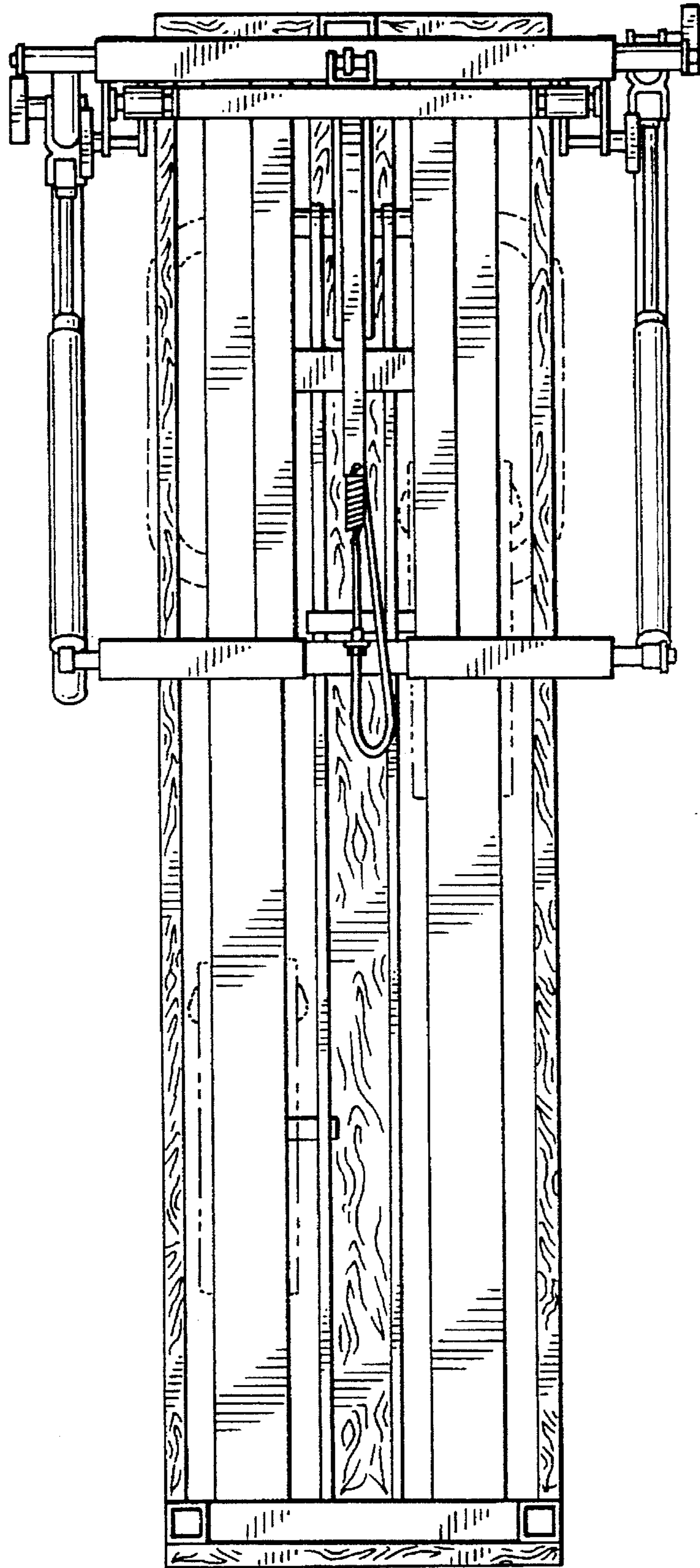
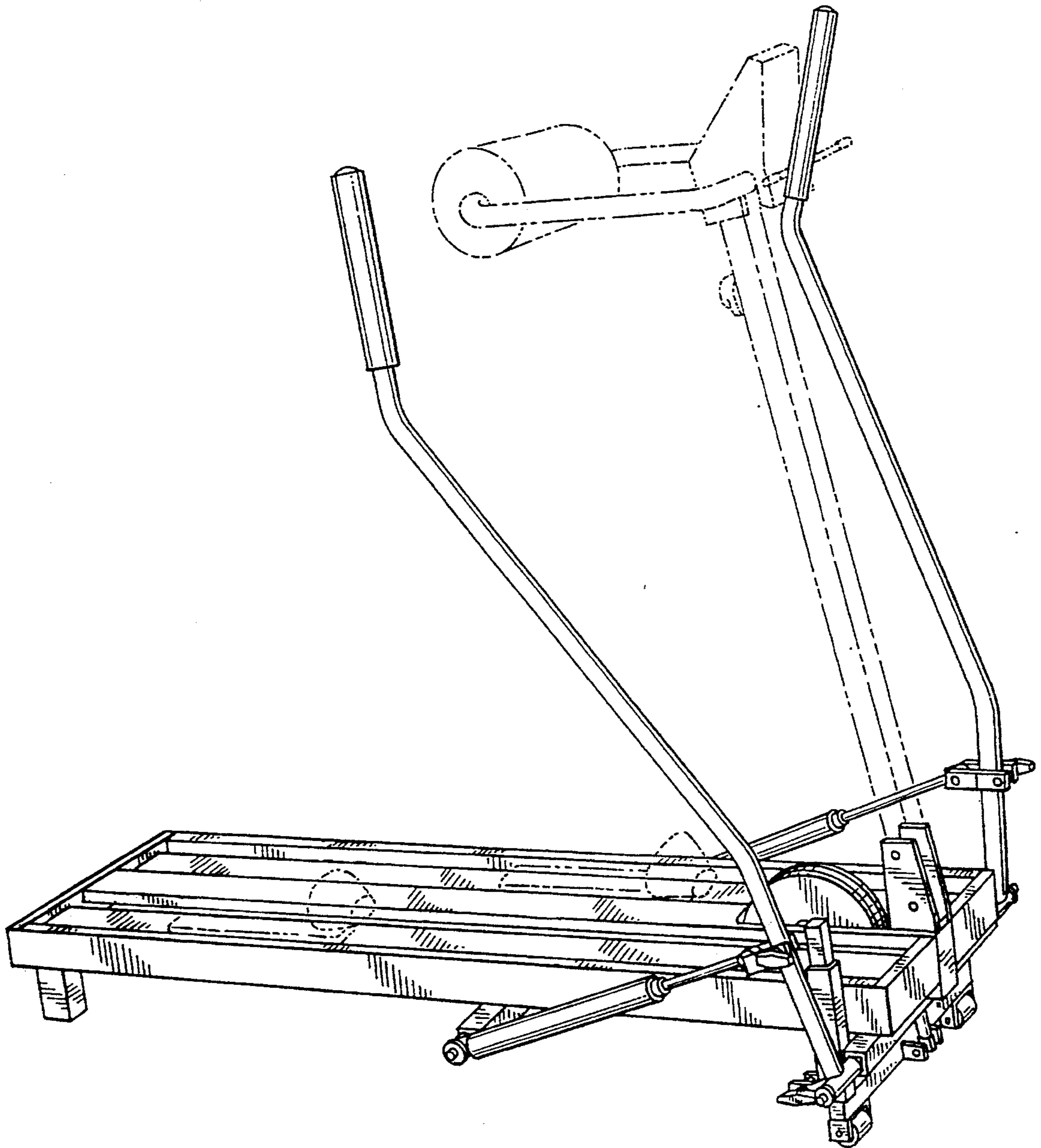


FIG. 7

FIG. 8



UNITED STATES PATENT AND TRADEMARK OFFICE
CERTIFICATE OF CORRECTION

PATENT NO. : Des. 364,662
DATED : November 28, 1995
INVENTOR(S) : Camfield et al.

It is certified that error appears in the above-identified patent and that said Letters Patent is hereby corrected as shown below:

On the Title Page

In column 2, line 4 under "DESCRIPTION", delete the second occurrence of "right".

Signed and Sealed this
Eleventh Day of June, 1996



BRUCE LEHMAN

Attest:

Attesting Officer

Commissioner of Patents and Trademarks