



US00D364658S

**United States Patent** [19]  
**Brømsø**

[11] **Patent Number: Des. 364,658**  
[45] **Date of Patent: \*\*Nov. 28, 1995**

[54] **TOY BUILDING ELEMENT**  
[75] Inventor: **Per Brømsø**, Copenhagen, Denmark  
[73] Assignee: **Interlego AG**, Baar, Switzerland  
[\*\*] Term: **14 Years**  
[21] Appl. No.: **29,154**  
[22] Filed: **Sep. 29, 1994**  
[52] **U.S. Cl.** ..... **D21/108**  
[58] **Field of Search** ..... D21/108, 124,  
D21/141, 132, 134; 446/103, 104, 121,  
128

3,654,726 4/1972 Witte ..... 446/103  
5,049,104 9/1991 Olsen ..... 446/104

*Primary Examiner*—Terry A. Wallace  
*Assistant Examiner*—R. Barkai  
*Attorney, Agent, or Firm*—Kane, Dalsimer, Sullivan,  
Kurucz, Levy, Eisele and Richard

[57] **CLAIM**

The ornamental design for a toy building element, as shown and described.

**DESCRIPTION**

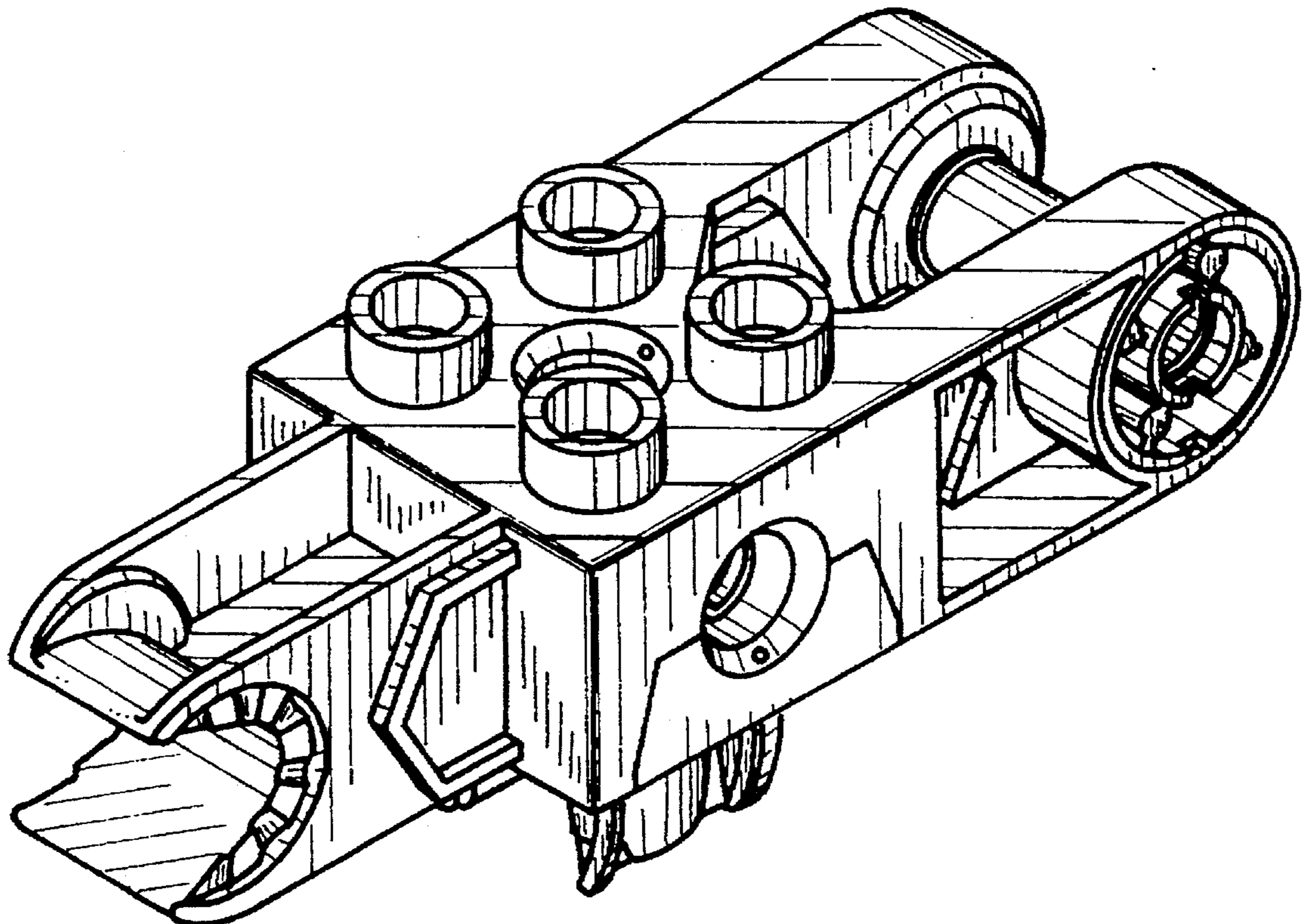
FIG. 1 is a top perspective view of the toy building element showing my new design;  
FIG. 2 is a bottom perspective view thereof;  
FIG. 3 is a right side elevational view thereof;  
FIG. 4 is a front elevational view thereof;  
FIG. 5 is a left side elevational view thereof;  
FIG. 6 is a rear elevational view thereof;  
FIG. 7 is a bottom plan view thereof; and,  
FIG. 8 is a top plan view thereof.

[56] **References Cited**

**U.S. PATENT DOCUMENTS**

D. 295,993	5/1988	Knudsen	.....	D21/108
D. 315,375	3/1991	Olsen	.....	D21/108
D. 317,475	6/1991	Olsen	.....	D21/108
D. 317,955	7/1991	Olsen	.....	D21/108
D. 333,851	3/1993	Olsen	.....	D21/108

**1 Claim, 3 Drawing Sheets**



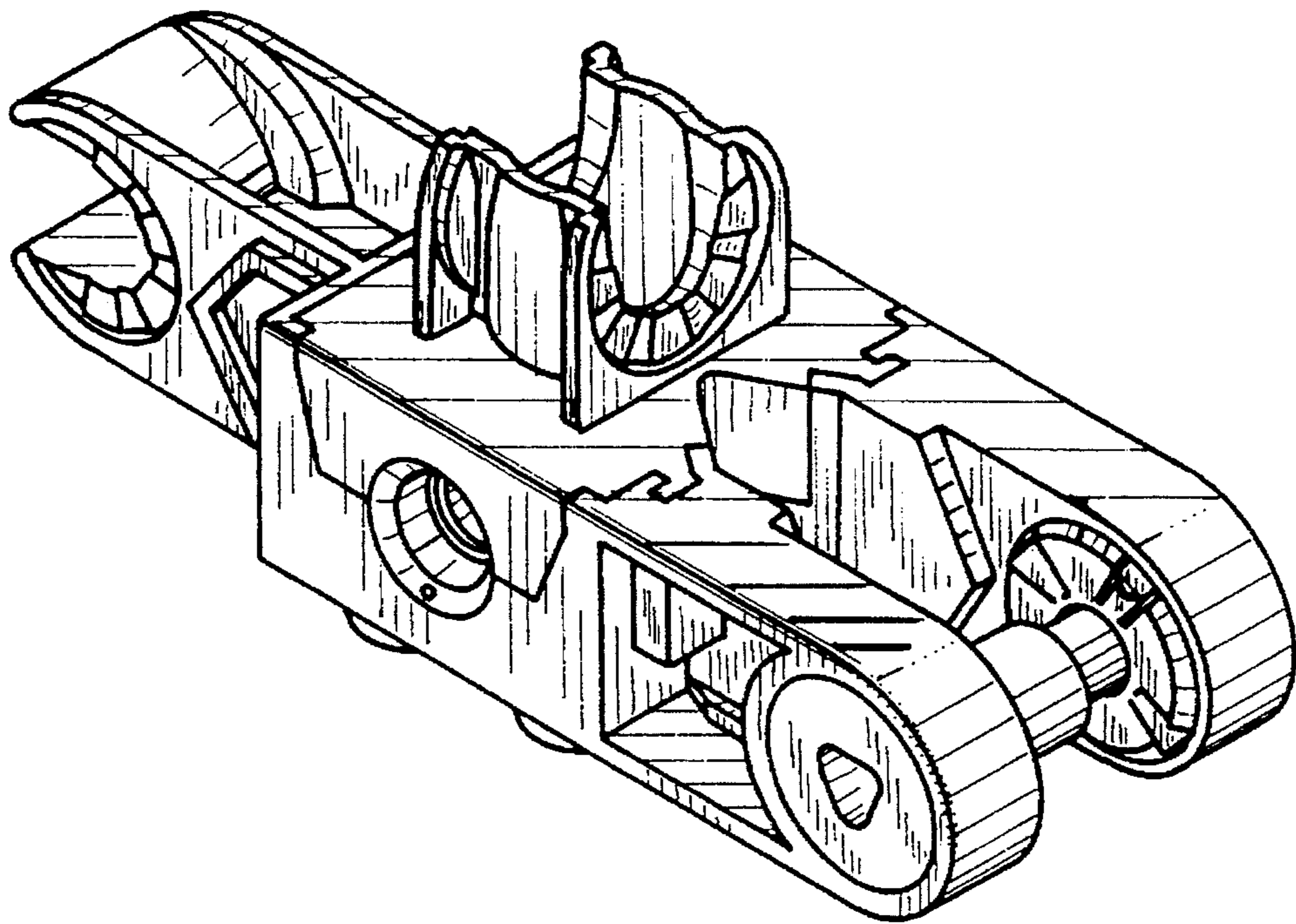


FIG. 2

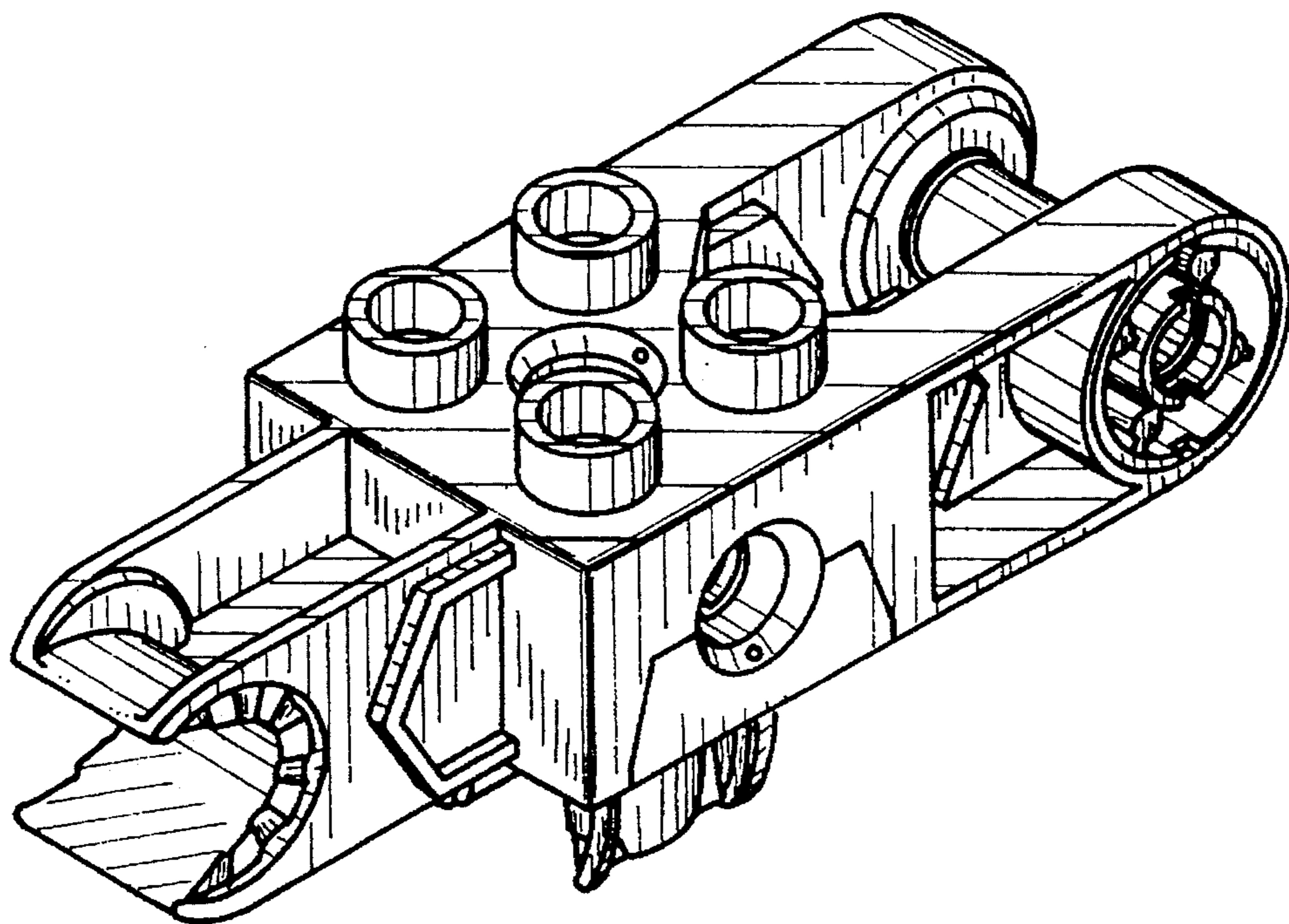


FIG. 1

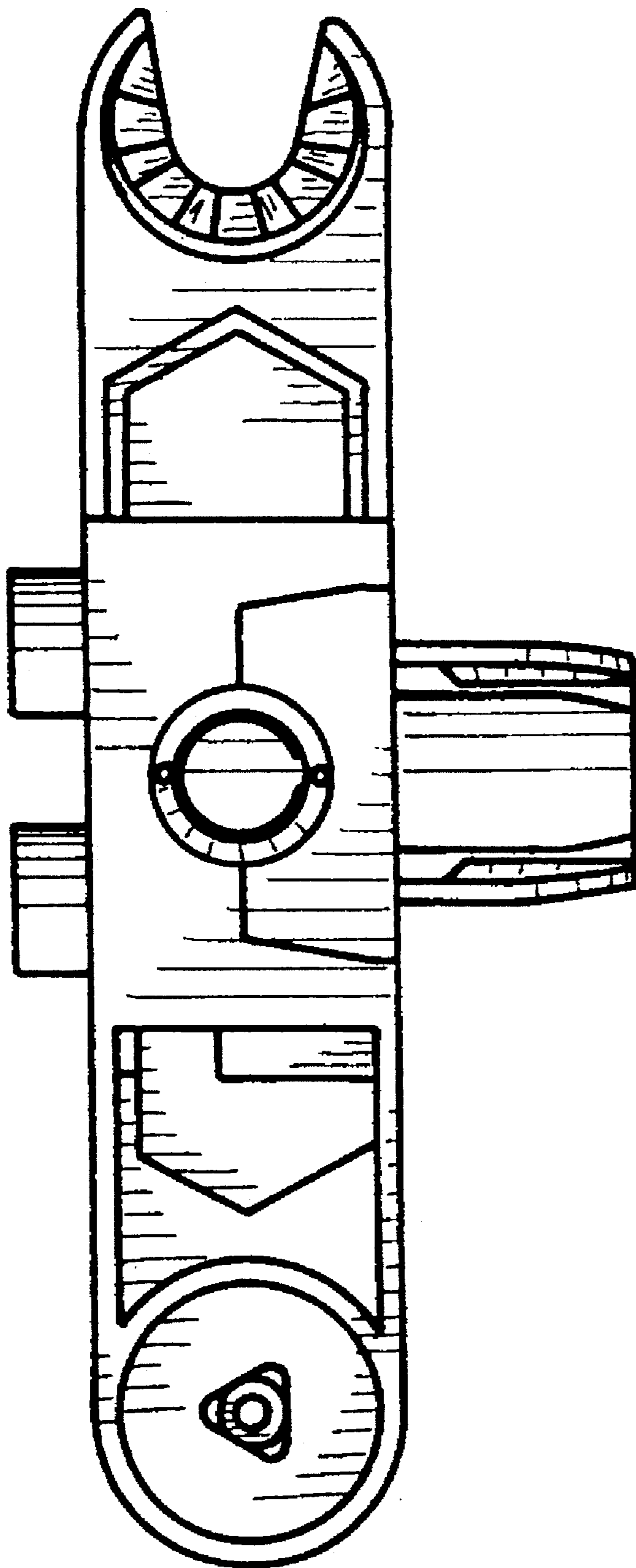


FIG. 3



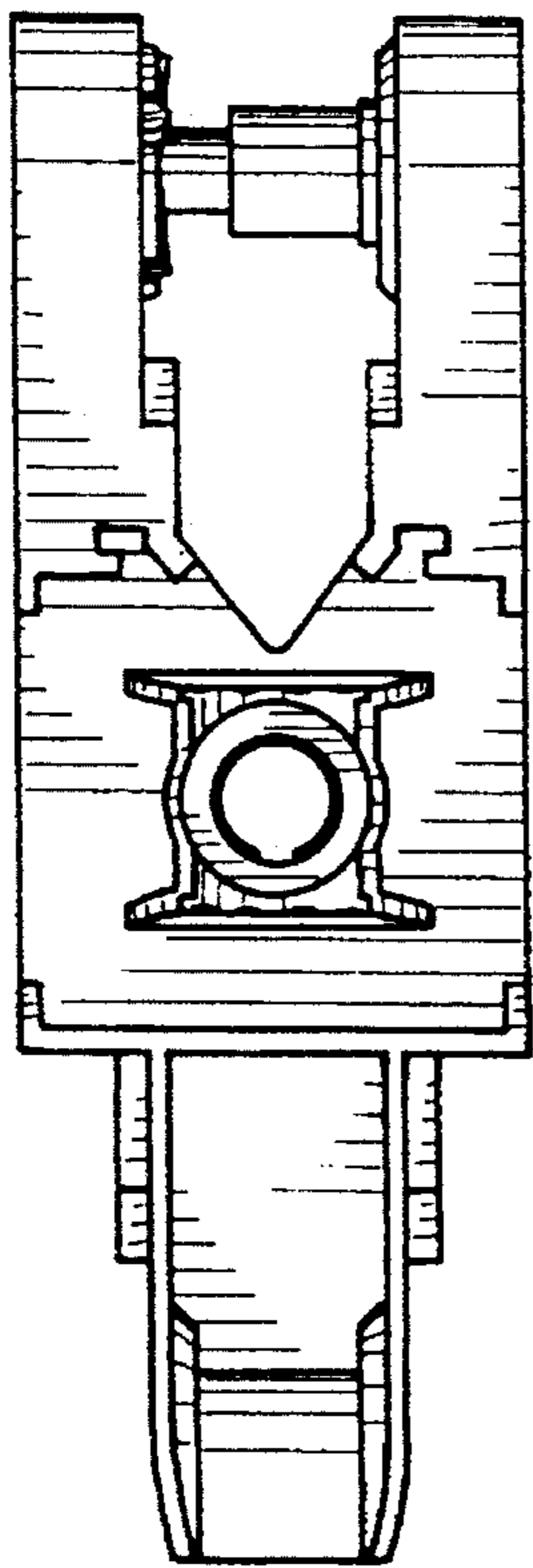


FIG. 7

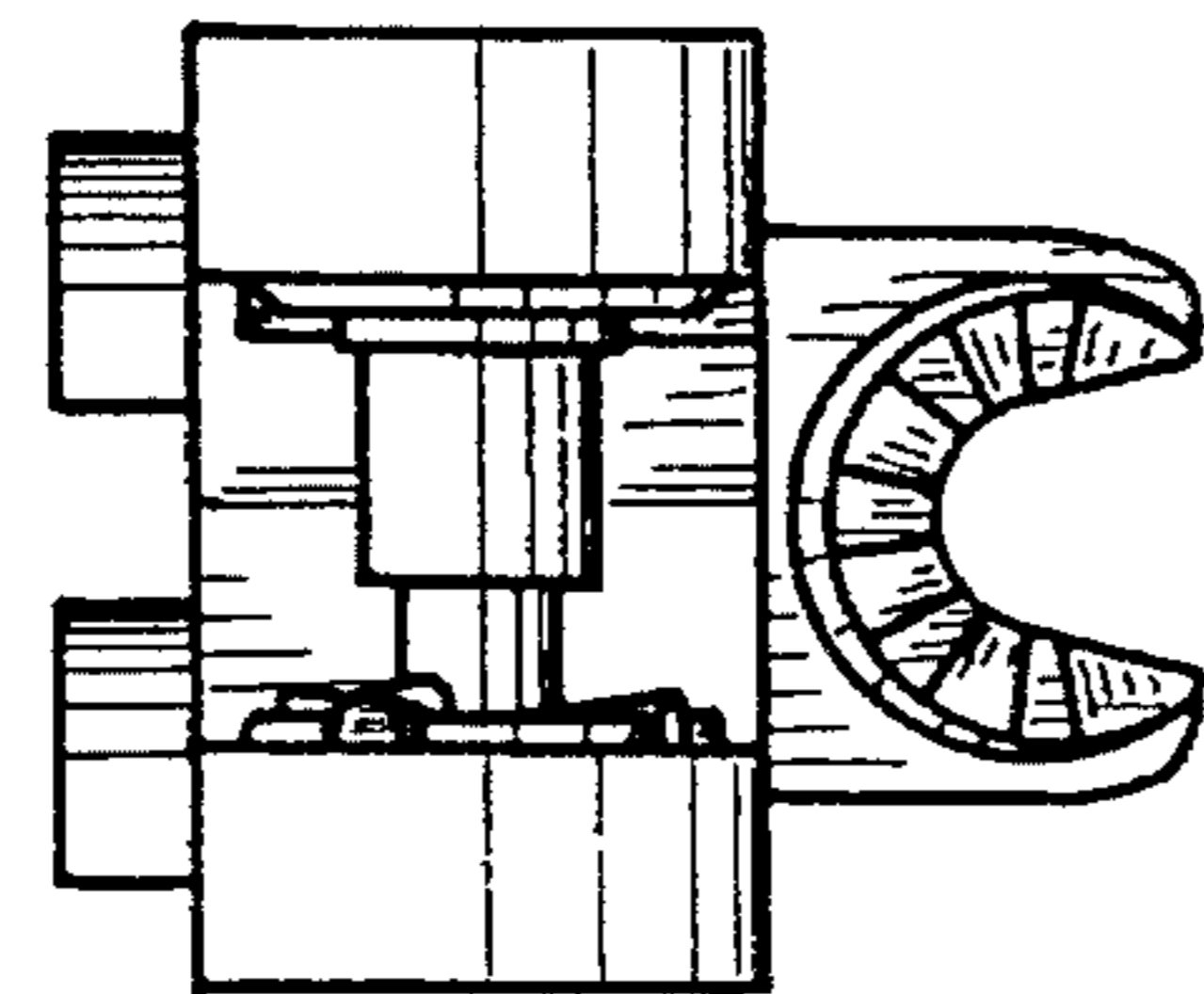


FIG. 6

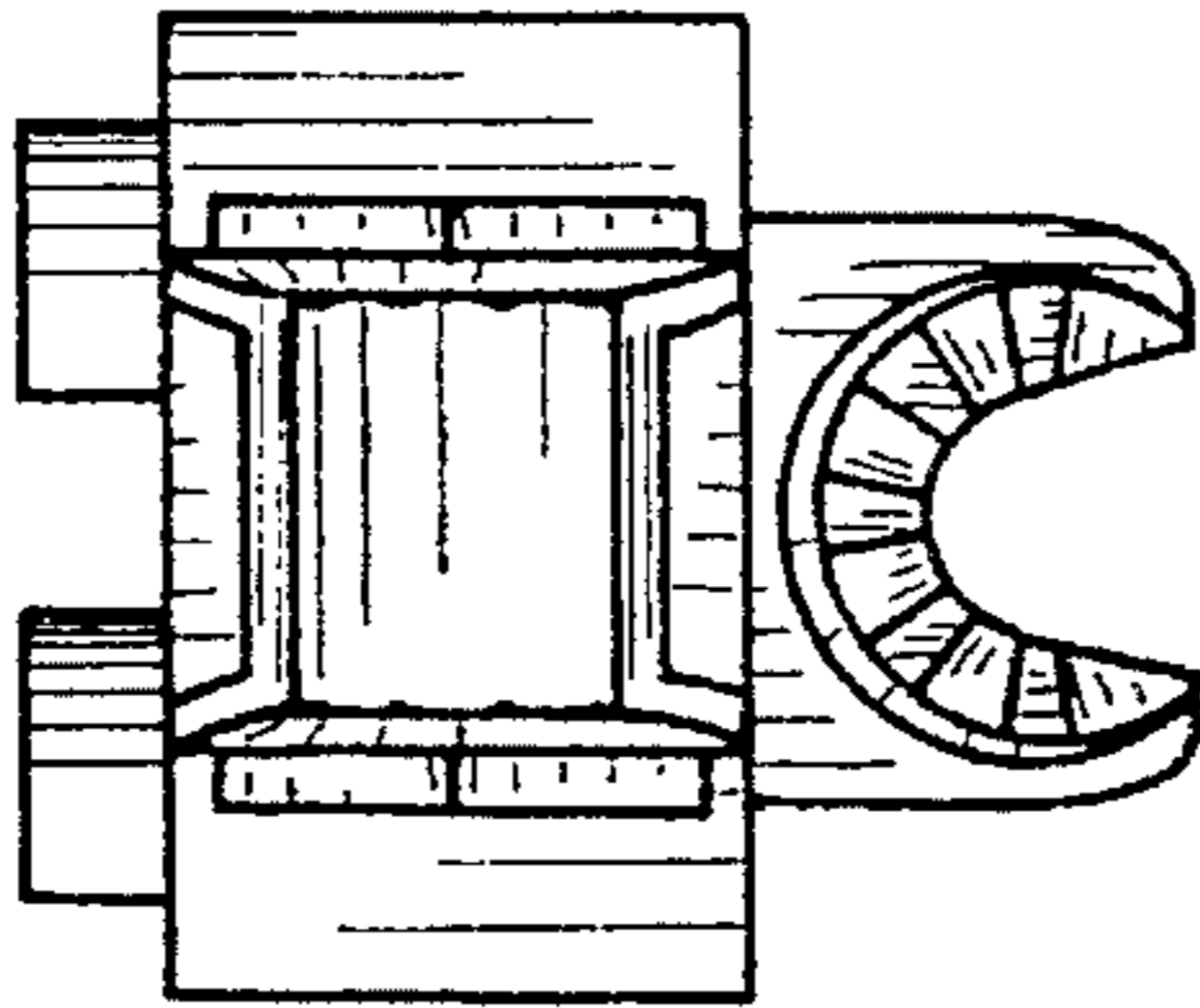


FIG. 4

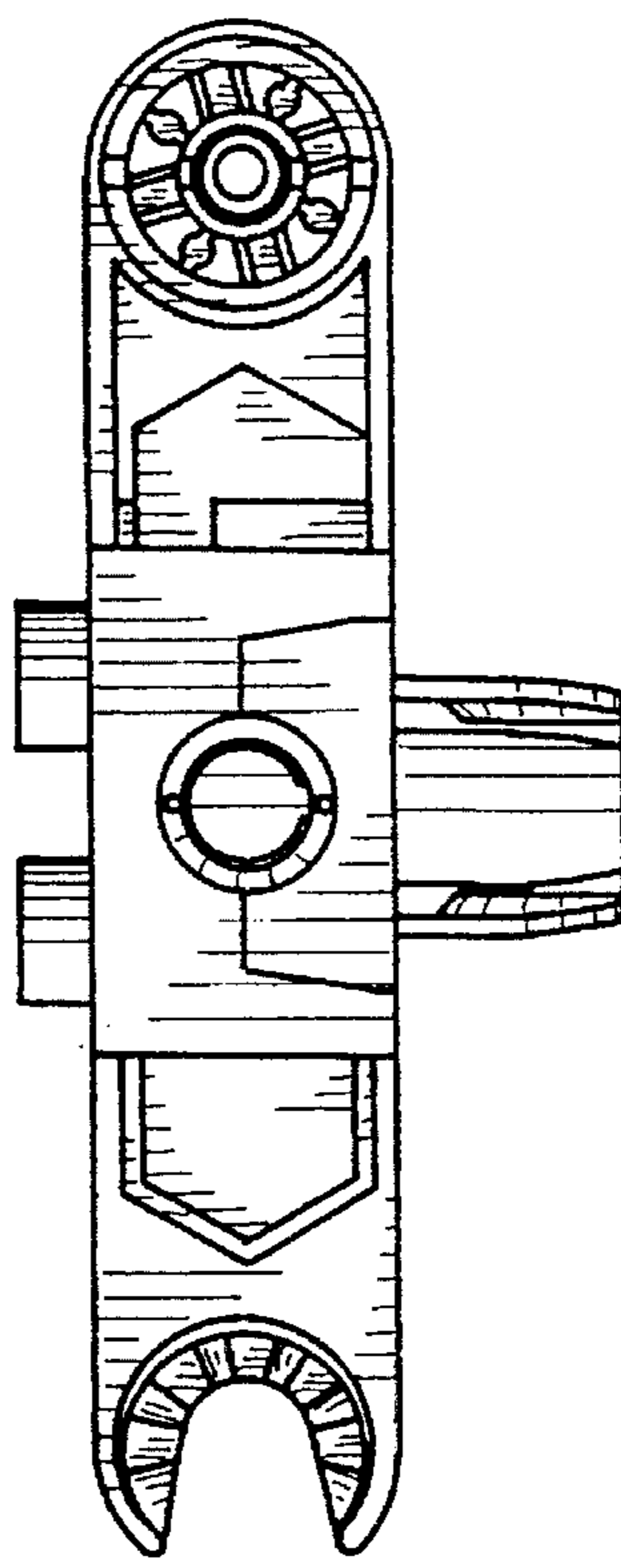


FIG. 5

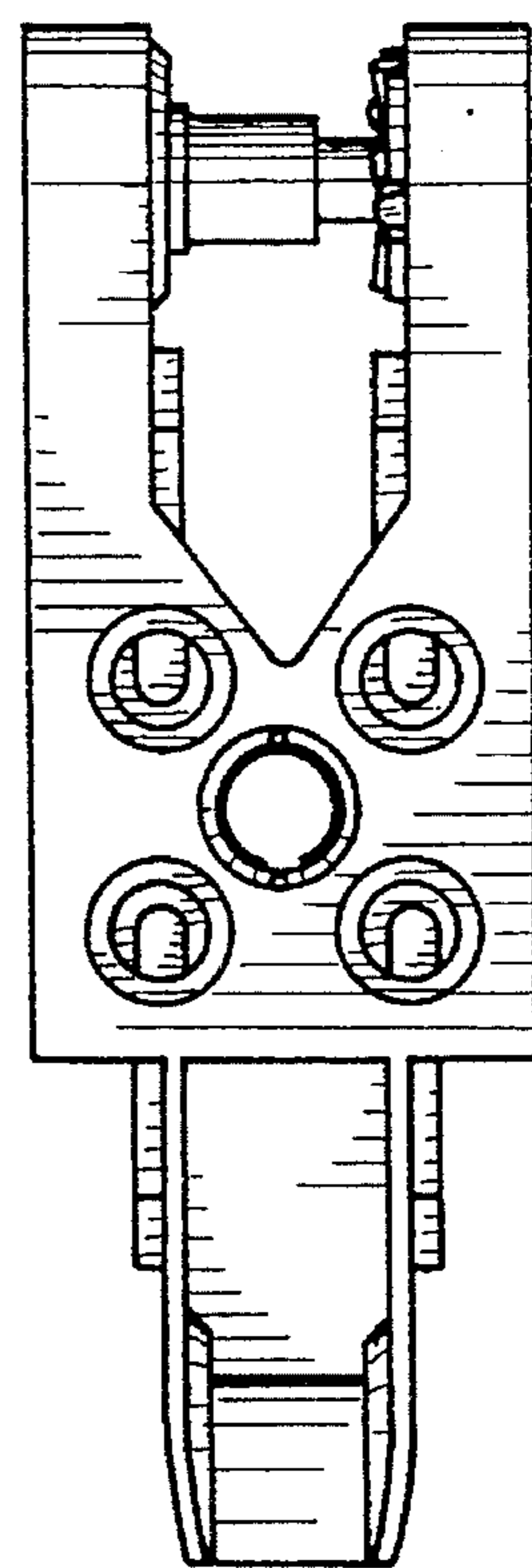


FIG. 8