



US00D364648S

# United States Patent [19] Osterhout

[11] Patent Number: **Des. 364,648**

[45] Date of Patent: **\*\*Nov. 28, 1995**

[54] **HAND-HELD ELECTRONIC GAME HOUSING**

4,952,919 8/1990 Nippoldt ..... 273/148 B X

### OTHER PUBLICATIONS

[75] Inventor: **Ralph F. Osterhout**, San Francisco, Calif.

Hong Kong Enterprise, Oct. 1992, p. 174.

Hong Kong Enterprise, Sep. 1981, p. 108.

[73] Assignee: **Tiger Electronics, Inc.**, Vernon Hills, Ill.

*Primary Examiner*—Prabhakar G. Deshmukh

*Attorney, Agent, or Firm*—Fitch, Even, Tabin & Flannery

[\*\*] Term: **14 Years**

### [57] CLAIM

[21] Appl. No.: **33,520**

The ornamental design for the hand-held electronic game housing, as shown and described.

[22] Filed: **Jan. 13, 1995**

### DESCRIPTION

[52] U.S. Cl. .... **D21/13; D21/48**

[58] **Field of Search** ..... D21/13, 48, 1;  
273/148 B, 433-438, DIG. 28; D14/125,  
126, 217

FIG. 1 is a perspective view of a hand-held electronic game housing showing our new design;

FIG. 2 is a top plan view thereof;

FIG. 3 is a bottom plan view thereof;

FIG. 4 is a right side elevational view thereof;

FIG. 5 is a left side elevational view thereof;

FIG. 6 is a front elevational view thereof; and,

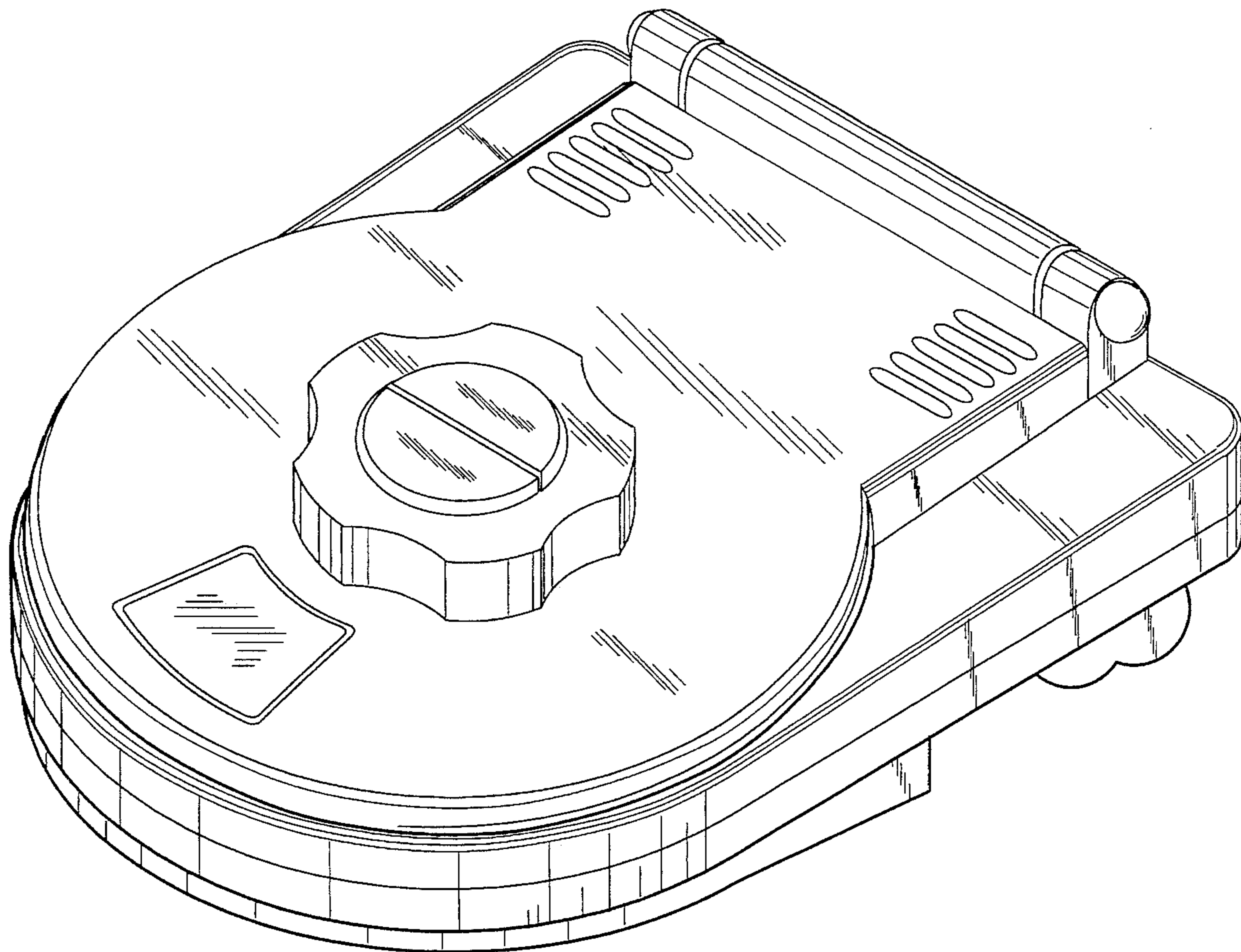
FIG. 7 is a rear elevational view thereof.

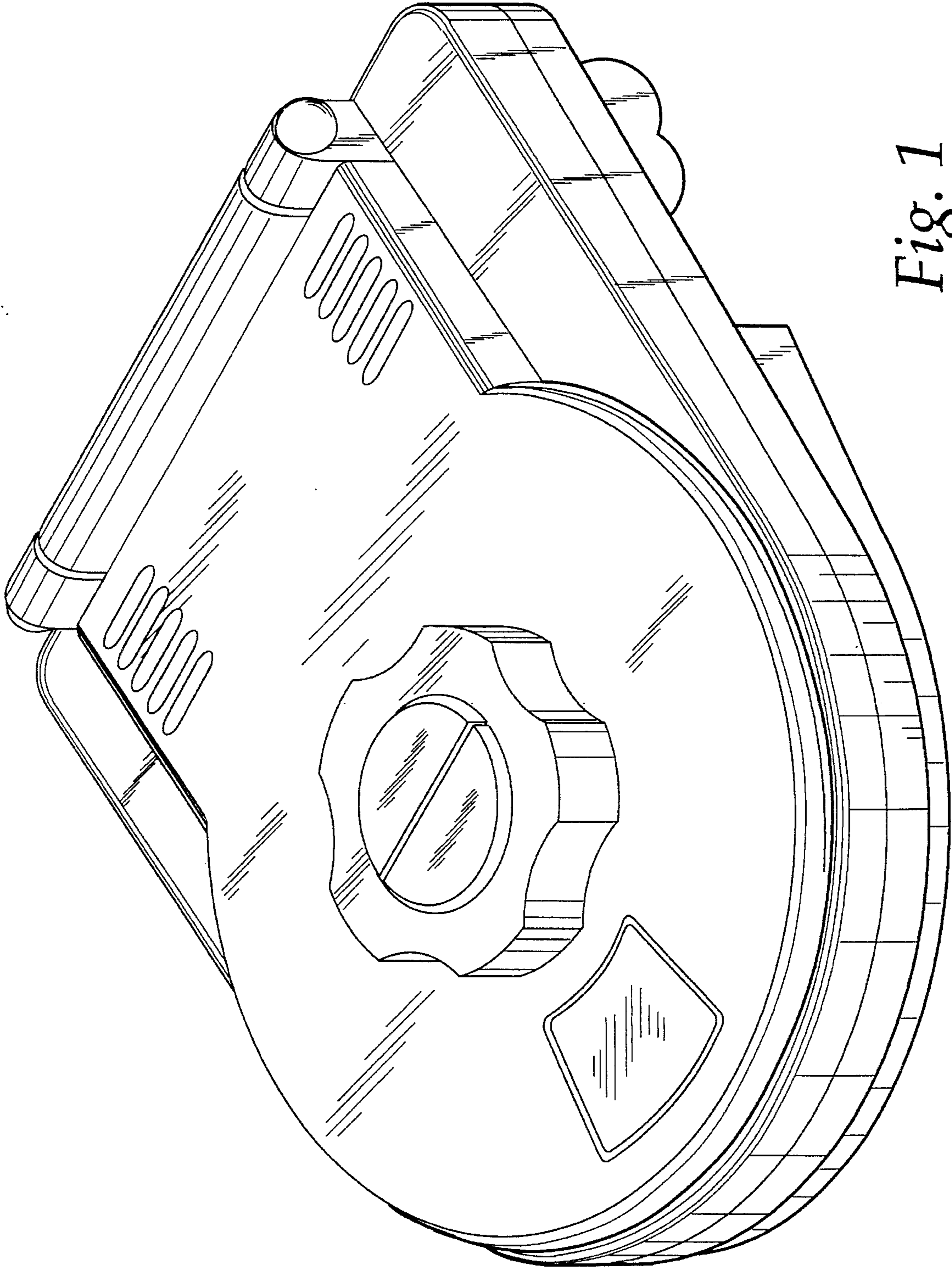
### [56] References Cited

#### U.S. PATENT DOCUMENTS

D. 330,493	2/1993	Sato	.....	D21/13
D. 343,202	1/1994	Peersman	.....	D21/13
D. 350,992	9/1994	Barr	.....	D21/48
D. 354,993	1/1995	Morrison et al.	.....	D21/13

**1 Claim, 4 Drawing Sheets**





*Fig. 1*



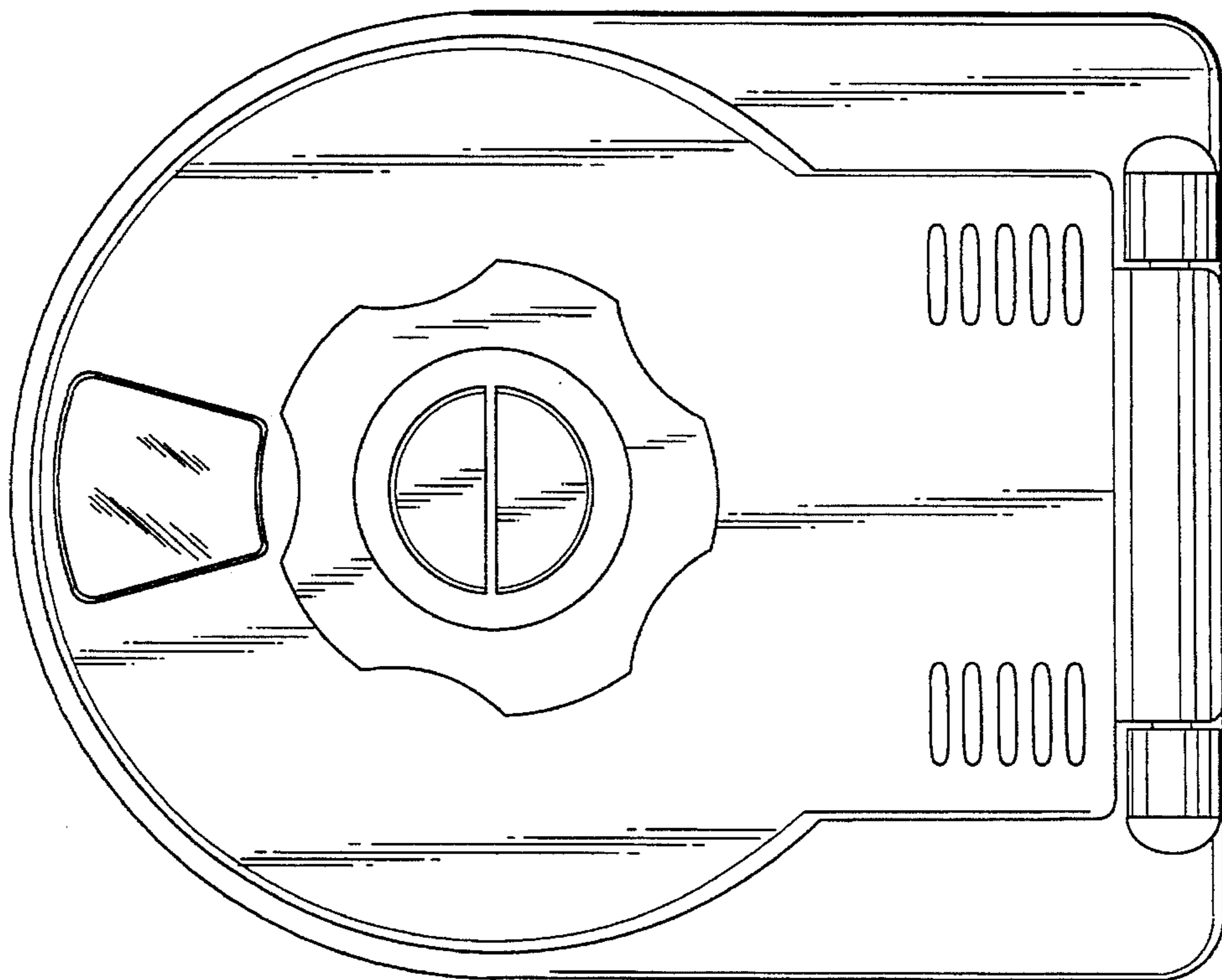


Fig. 2

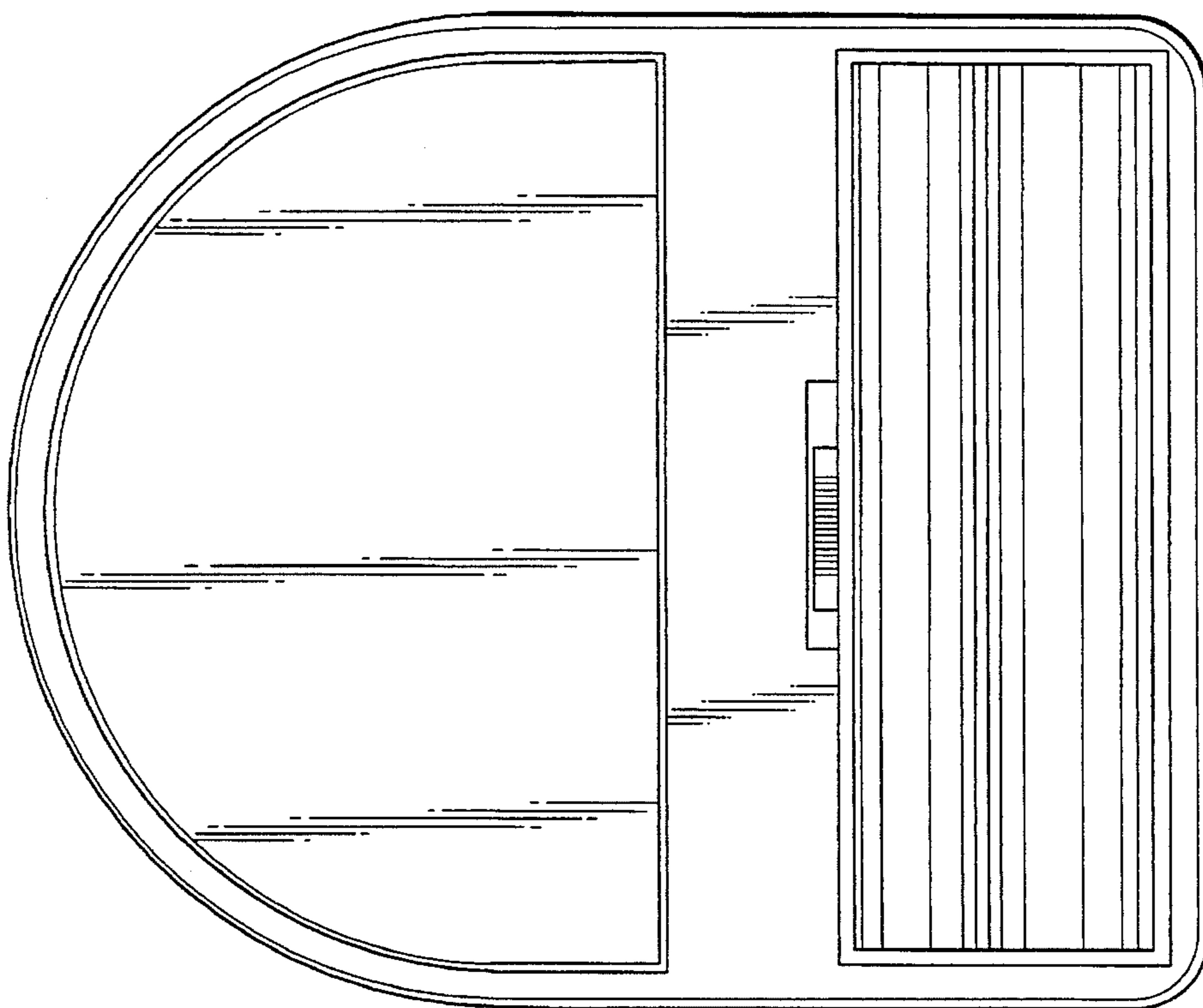
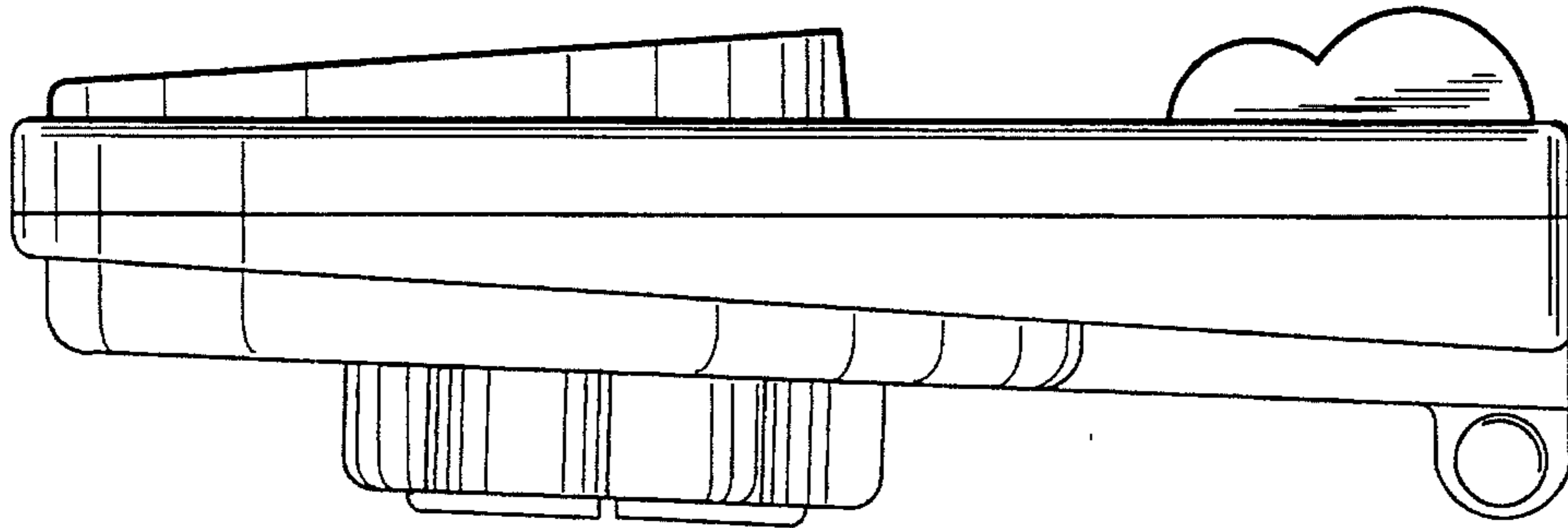
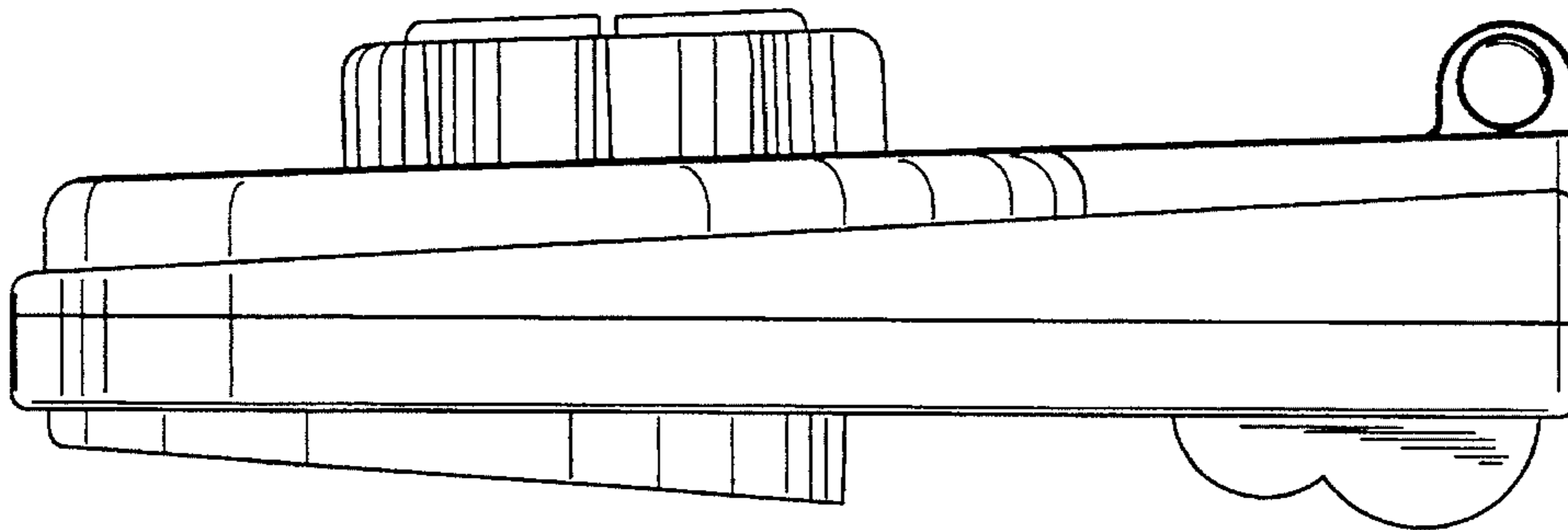


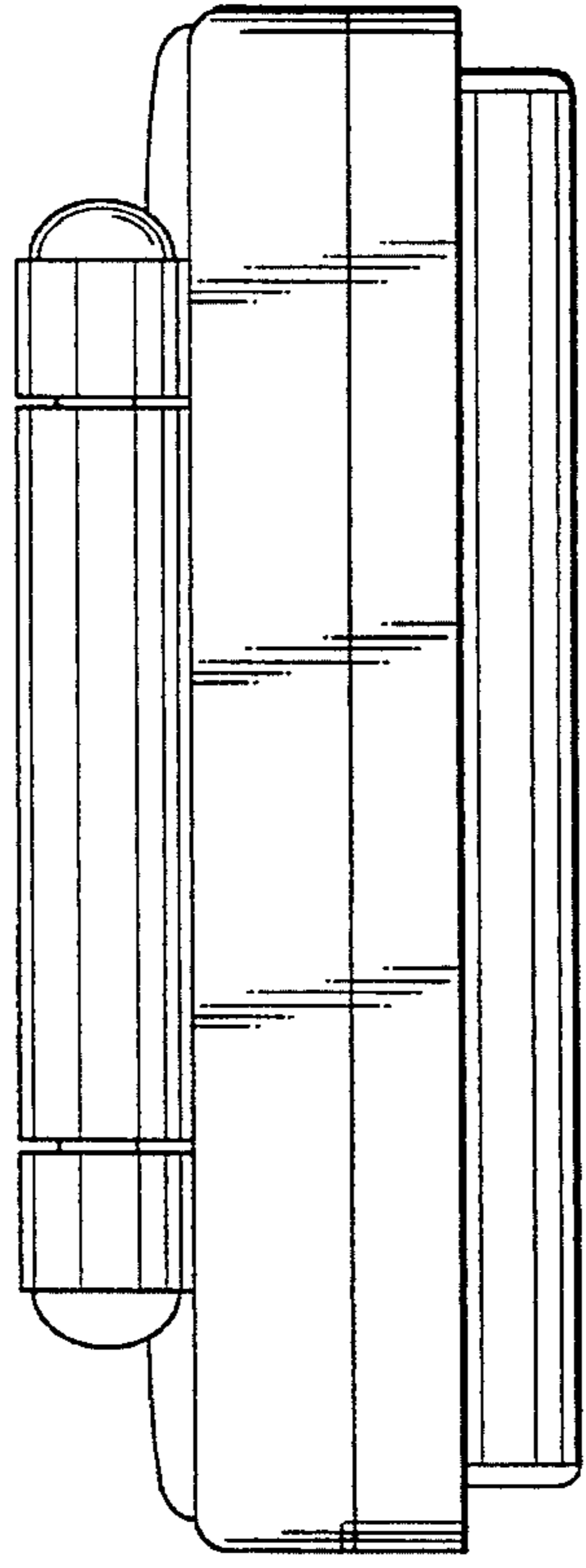
Fig. 3



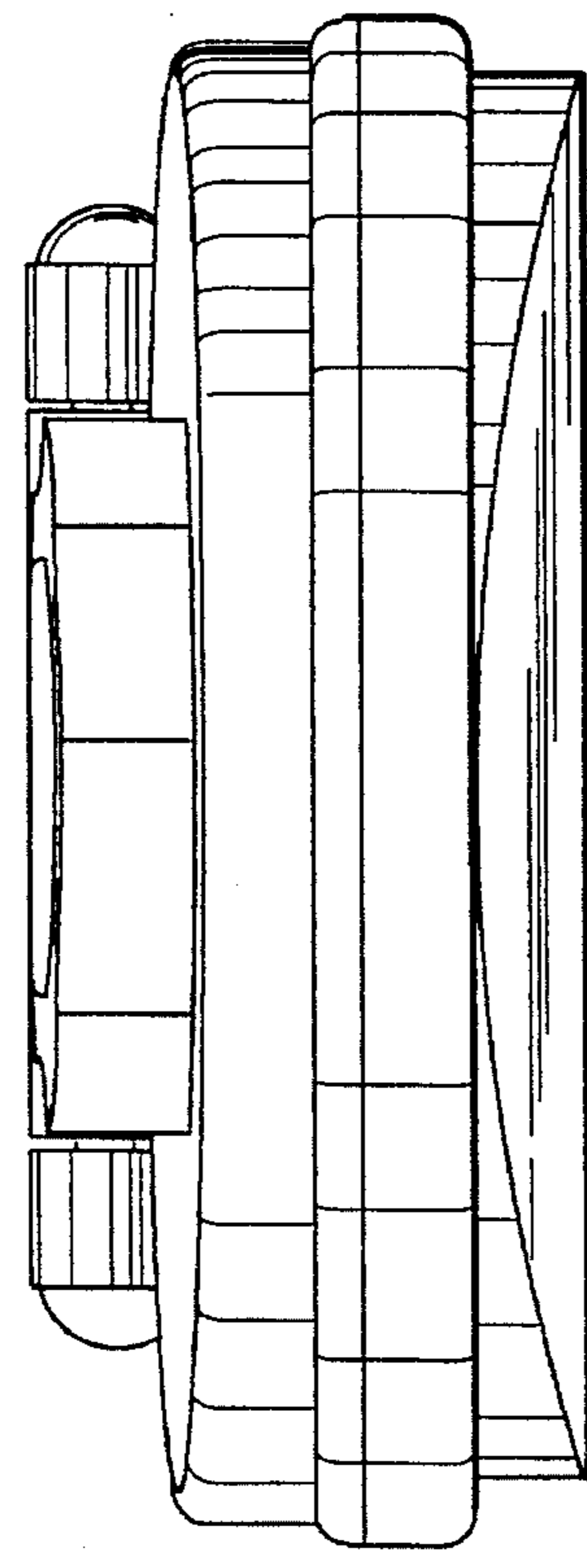
*Fig. 5*



*Fig. 4*



*Fig. 7*



*Fig. 6*