



US00D364645S

United States Patent [19] Koch

[11] Patent Number: **Des. 364,645**

[45] Date of Patent: ****Nov. 28, 1995**

[54] ROLL NOTE DISPENSER

[75] Inventor: **Drake L. Koch**, Kansas City, Mo.

[73] Assignee: **Z-International, Inc.**, North Kansas City, Mo.

[**] Term: **14 Years**

[21] Appl. No.: **21,573**

[22] Filed: **Apr. 18, 1994**

[52] U.S. Cl. **D19/89**; D19/86; D6/518

[58] Field of Search D19/65, 67-69, D19/75, 78, 86, 89, 95, 99, 100; D6/515, 518; 225/7, 19, 24, 25, 34, 46, 56, 65, 77; 242/596.4, 596.3, 596.7, 596.8, 422.5, 423.2

[56] References Cited

U.S. PATENT DOCUMENTS

D. 84,067	5/1931	Albritton	D19/89
D. 181,269	10/1957	Axccl	D6/518 X
D. 273,644	5/1984	Colavito et al.	D6/518
D. 308,891	6/1990	Harris	D6/518 X
D. 327,192	6/1992	Geuvjehizian	D6/518
813,128	2/1906	Williams	242/423.2
1,572,063	2/1926	Black	D19/69 X
3,516,615	6/1970	Wickenberg	242/596.3

OTHER PUBLICATIONS

Print Inform GmbH & Co., a German company, 3 photographs of Hand Held Roll Note Dispenser, offered for sale in 1990.

Primary Examiner—Martie Thompson
Attorney, Agent, or Firm—Chase & Yakimo

[57] CLAIM

The ornamental design for a roll note dispenser, as shown and described.

DESCRIPTION

FIG. 1 is a perspective view of a roll note dispenser showing my new design, the broken lines showing the outline of a roll of paper being for illustrative purposes only and forming no part of the claimed design;

FIG. 2 is a right side elevational view thereof, the opposite being a mirror image;

FIG. 3 is a front elevational view thereof;

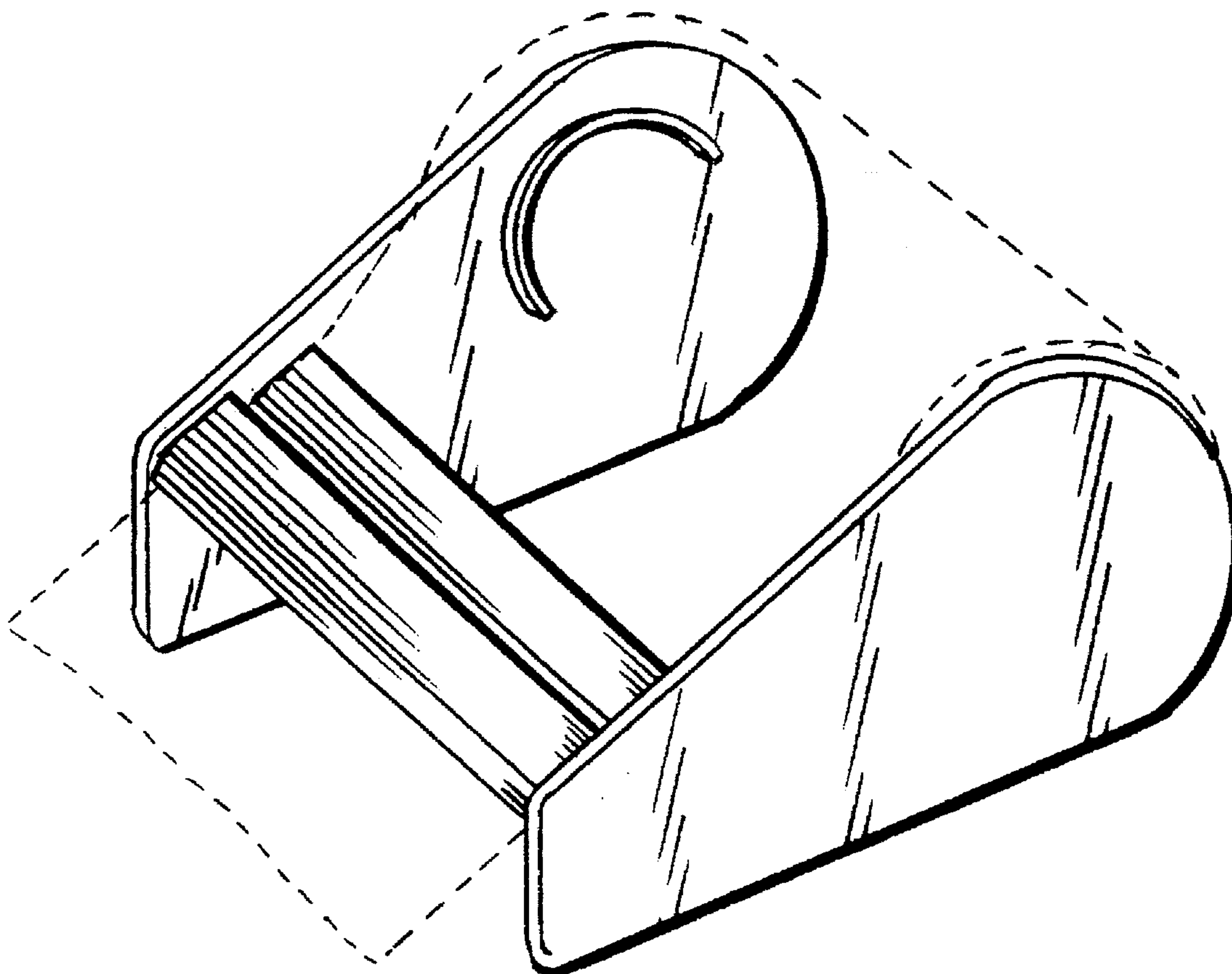
FIG. 4 is a rear elevational view thereof;

FIG. 5 is a top plan view thereof;

FIG. 6 is a bottom plan view thereof; and,

FIG. 7 is a cross-sectional view taken along line 7—7 of FIG. 5.

1 Claim, 2 Drawing Sheets



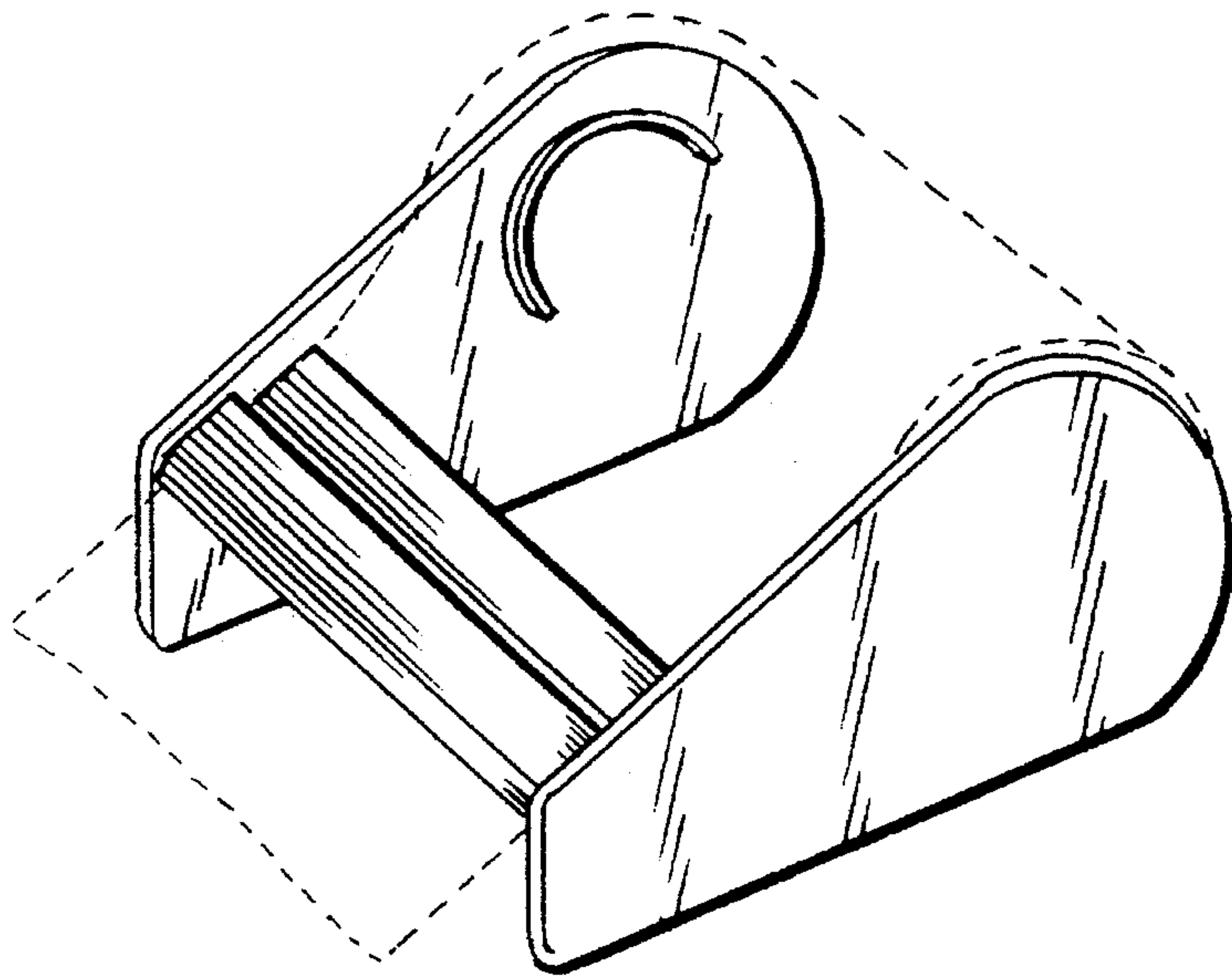


FIG. 1

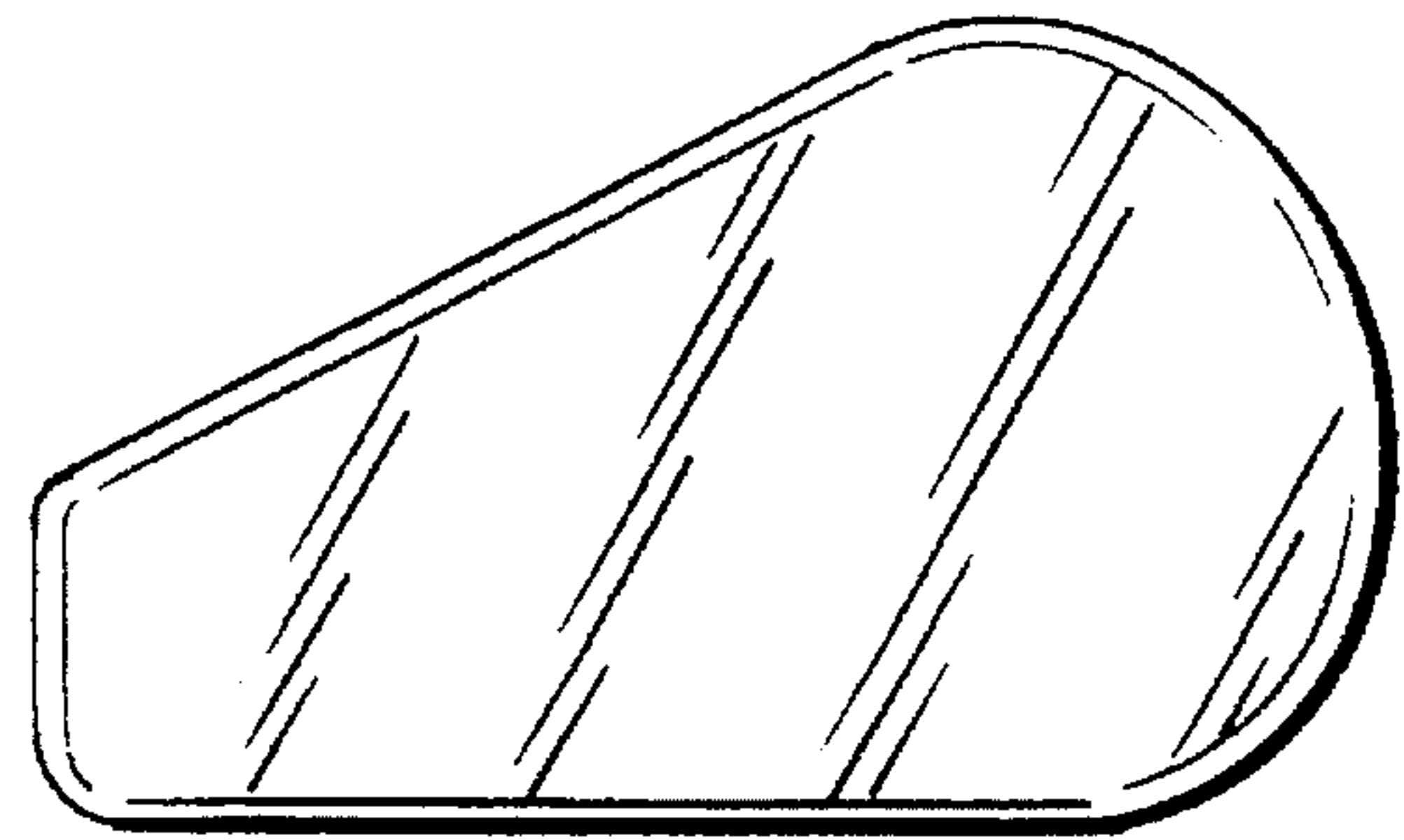


FIG. 2

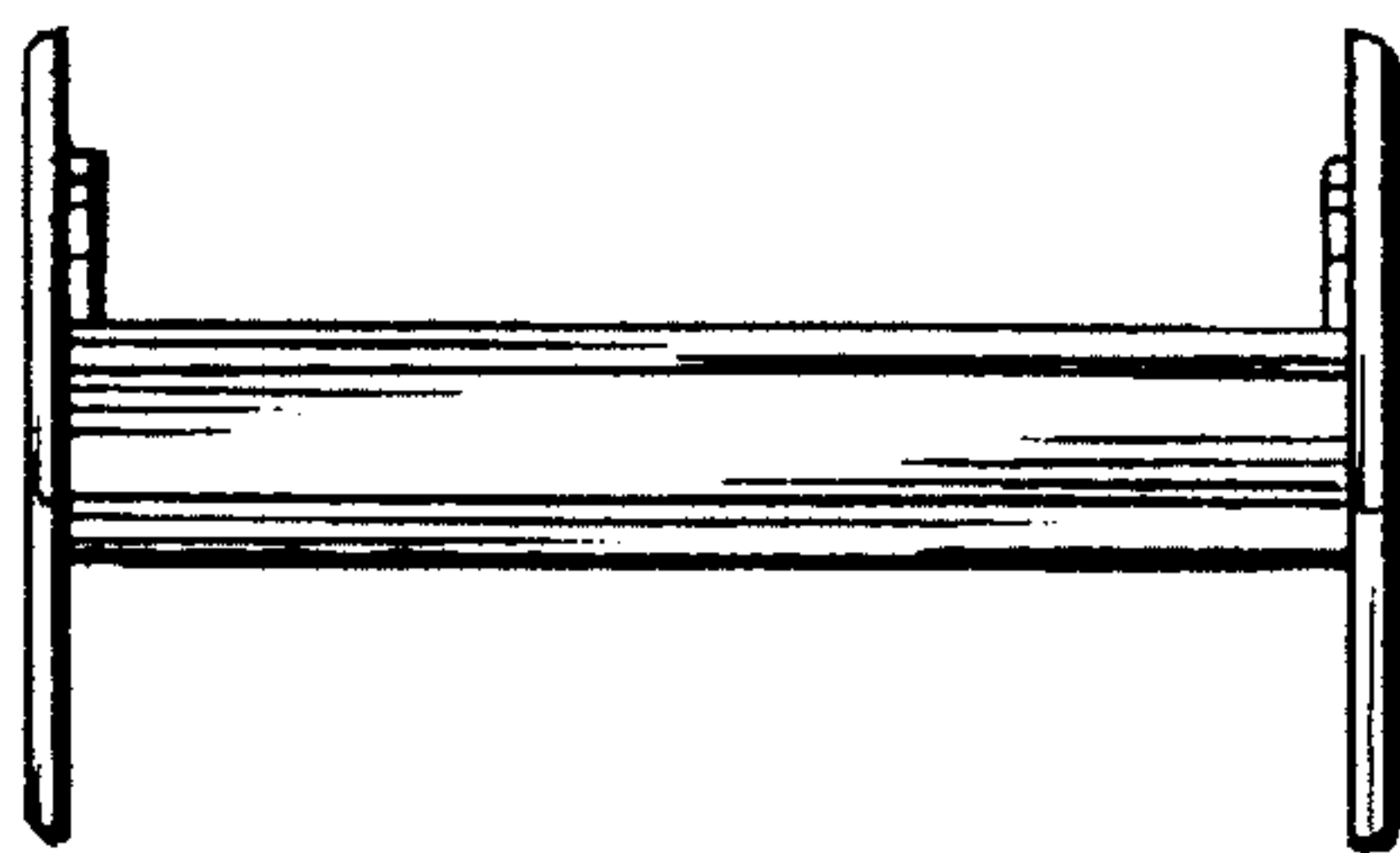


FIG. 3

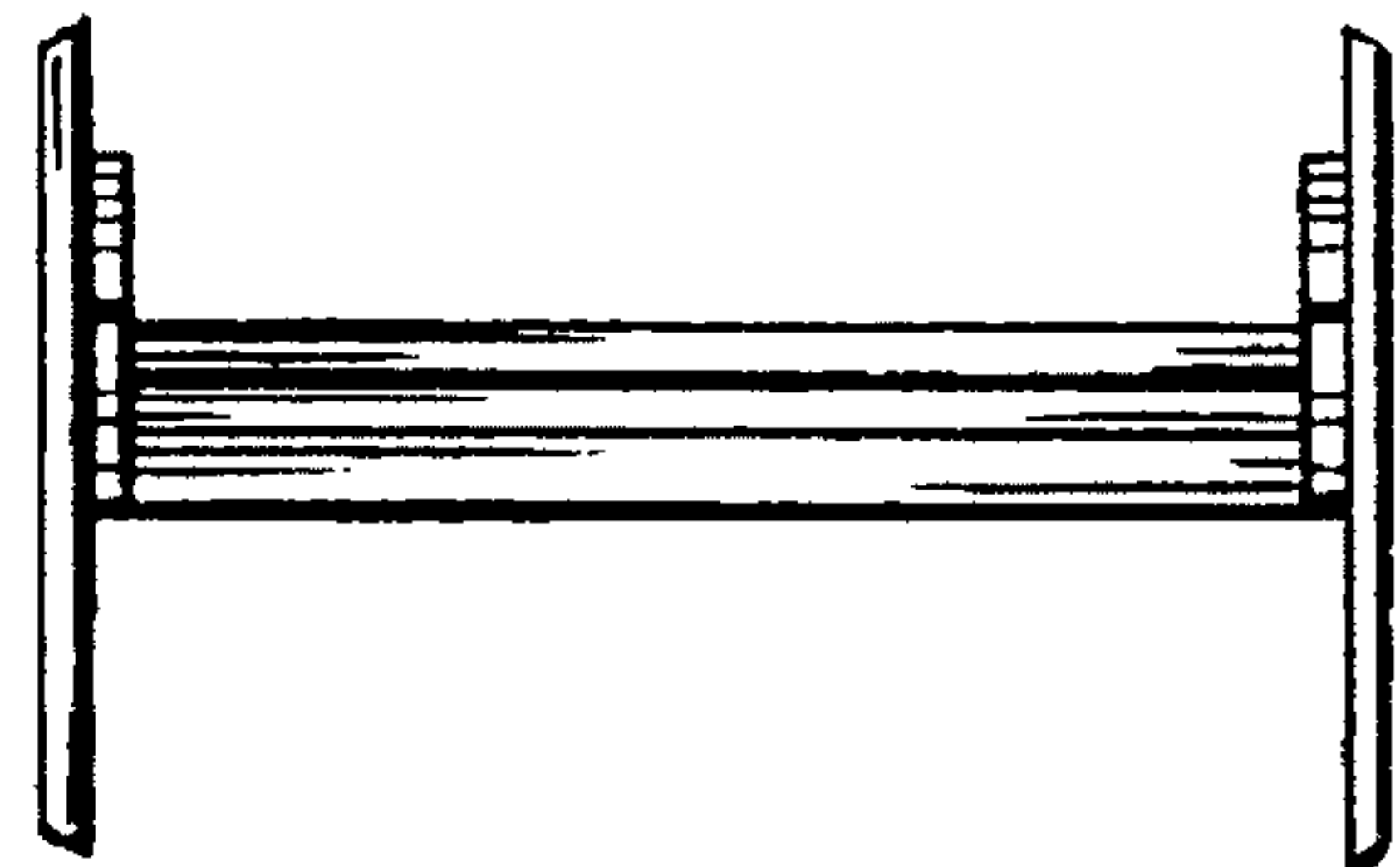


FIG. 4

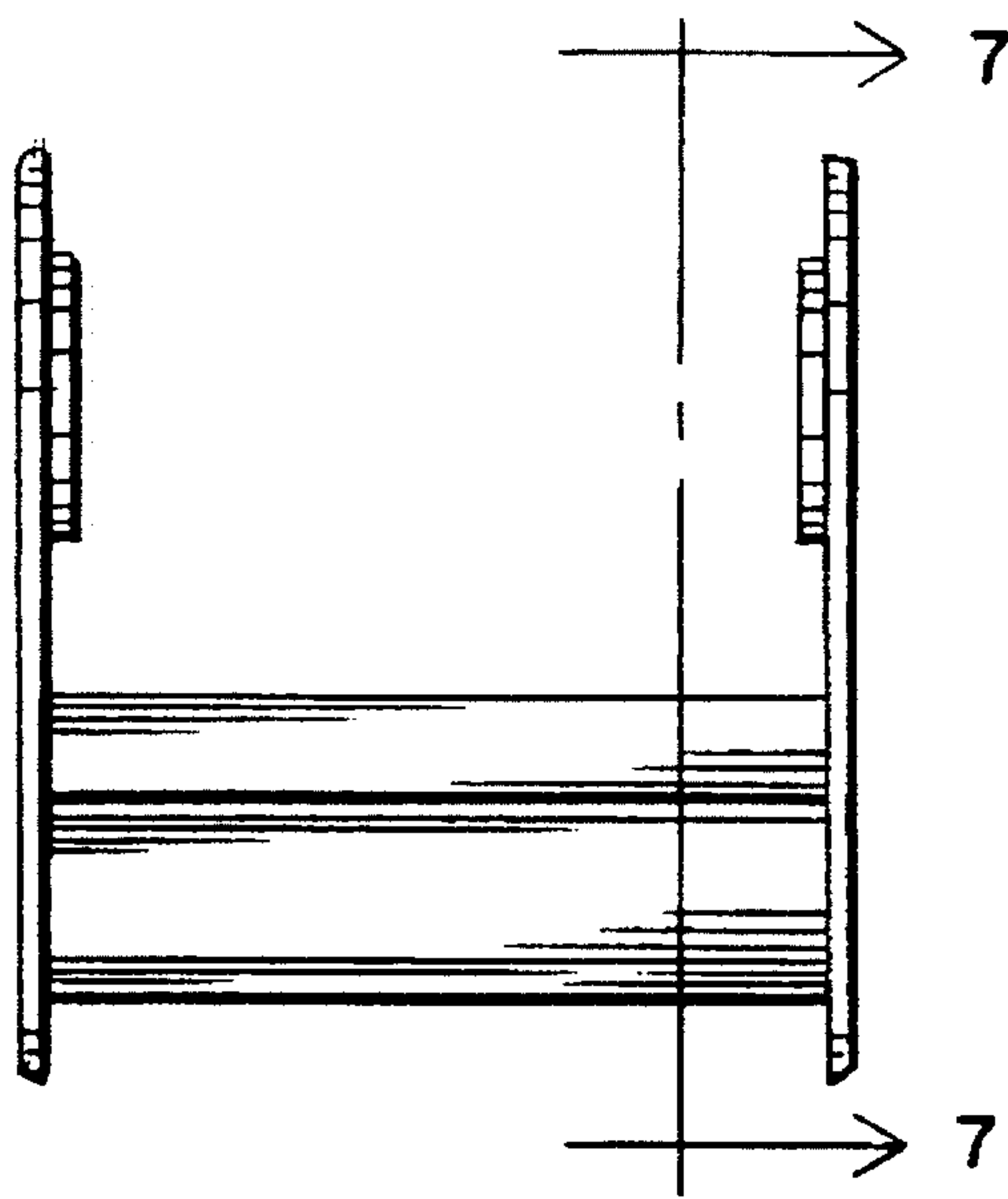


FIG. 5

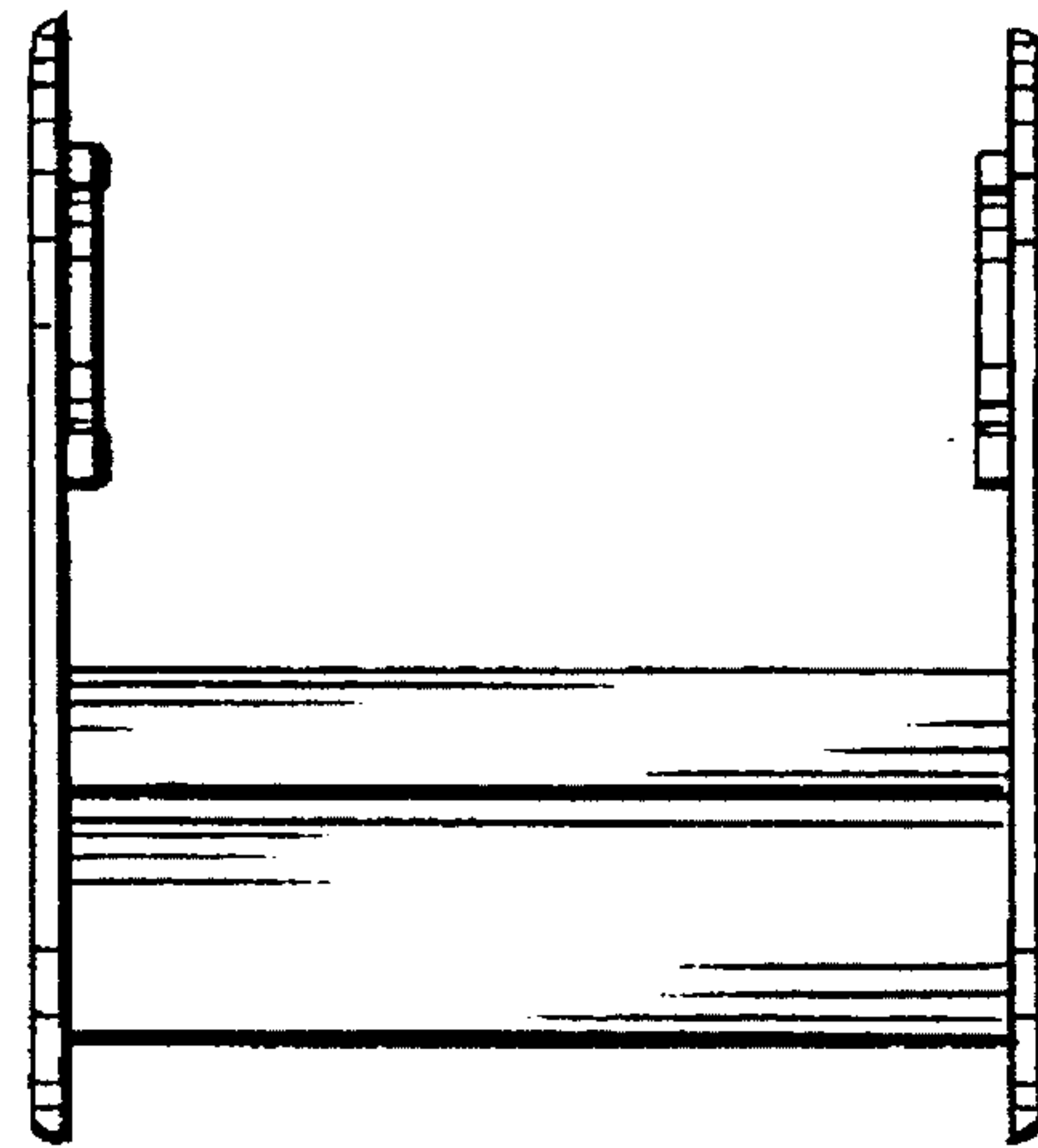


FIG. 6

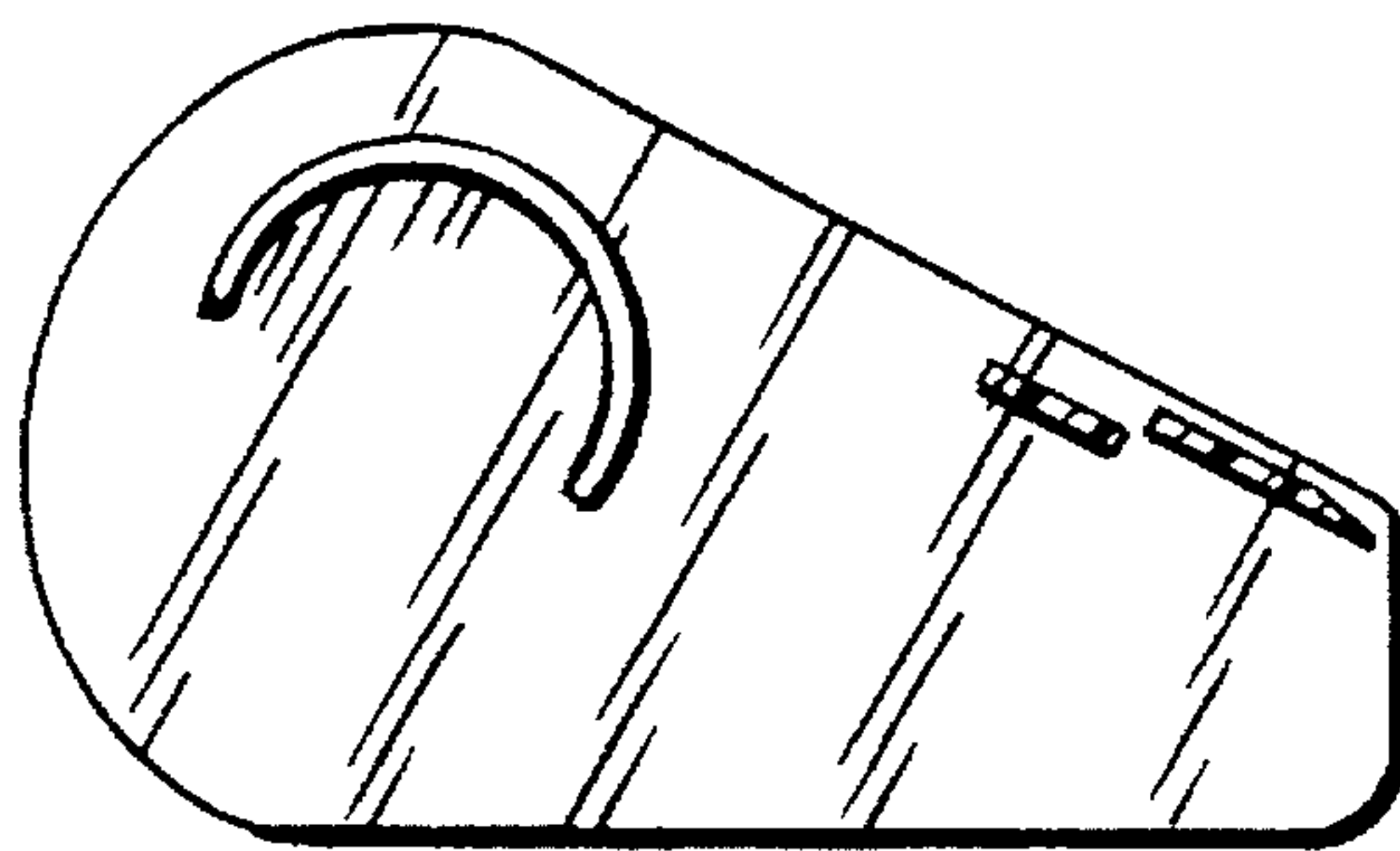


FIG. 7