



US00D364636S

# United States Patent [19]

Chang

[11] Patent Number: **Des. 364,636**

[45] Date of Patent: **\*\*Nov. 28, 1995**

[54] SPECTACLES

[76] Inventor: **Tien-Tzu Chang**, No. 1, Alley 99, Lane 274, S. Chung-Chen Road, Yung-Kang, Tainan Shien, Taiwan

[\*\*] Term: **14 Years**

[21] Appl. No.: **25,750**

[22] Filed: **Jul. 11, 1994**

[52] U.S. Cl. .... **D16/306**; D16/335

[58] Field of Search ..... D16/303, 304, D16/306, 310, 314, 317, 318, 321, 323, 324, 326, 327, 329, 330, 341, 900; 351/44, 51, 52, 59, 63, 103, 106, 110, 118, 119, 122, 158

[56] **References Cited**

**U.S. PATENT DOCUMENTS**

D. 159,344	7/1950	Jonaitis .....	D16/304
D. 201,921	8/1965	Harley .....	D16/321
D. 354,067	1/1995	Luzlbauer .....	D16/321
444,505	1/1891	Price .....	351/118

3,620,608	11/1971	Davis .....	351/111
3,840,294	10/1974	Kneier .....	351/59
4,047,809	9/1977	Zuccatti .....	351/118
4,187,006	2/1980	Neidell .....	351/44
5,349,392	9/1994	Buffet .....	351/158
5,384,604	1/1995	Chang .....	351/63

*Primary Examiner*—Theodore M. Shooman

*Assistant Examiner*—R. Barkai

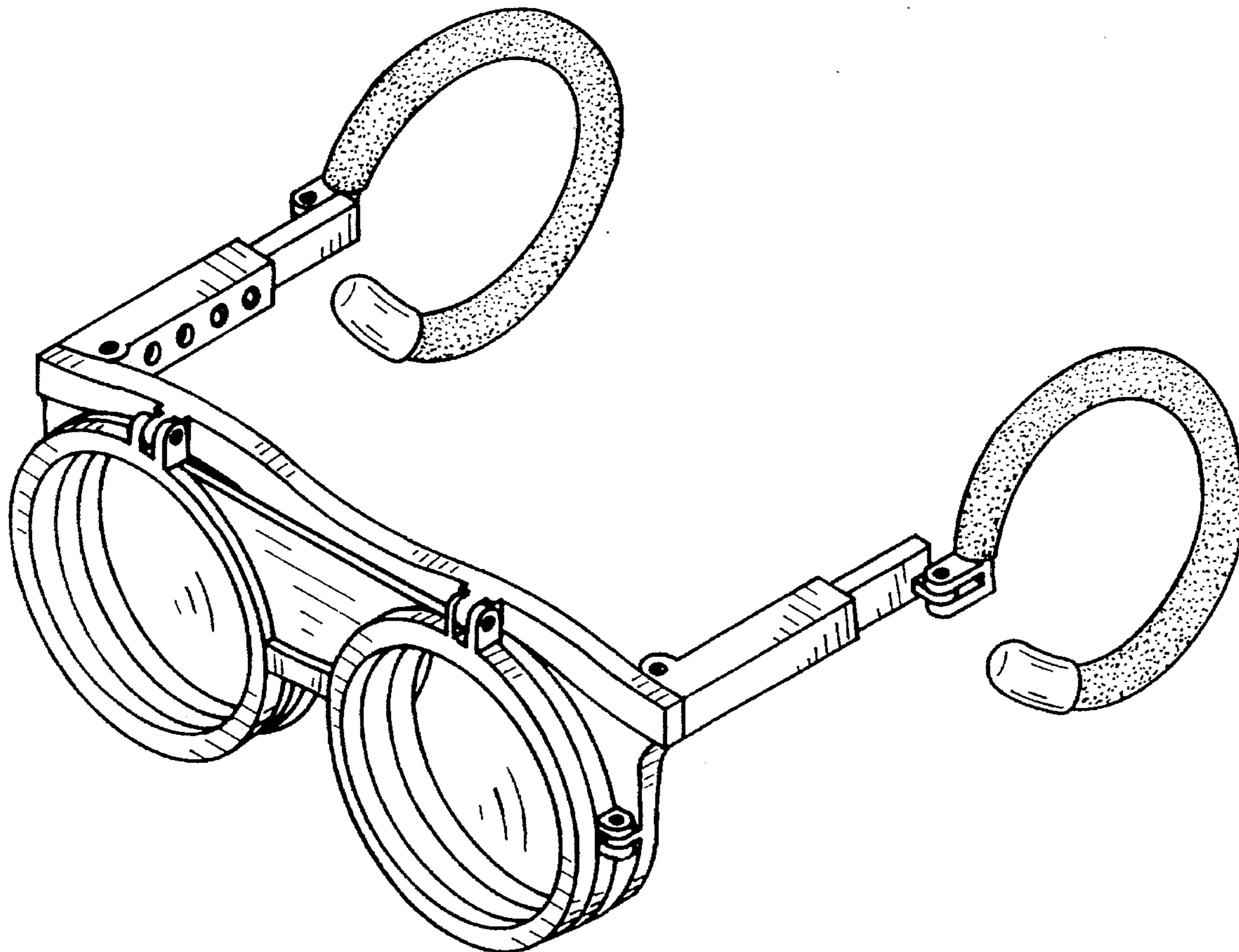
[57] **CLAIM**

The ornamental design for spectacles, as shown and described.

**DESCRIPTION**

FIG. 1 is a top, front, and left side perspective view of spectacles showing my new design; FIG. 2 is a front elevational view thereof; FIG. 3 is a rear elevational view thereof; FIG. 4 is a left side elevational view thereof; FIG. 5 is a right side elevational view thereof; FIG. 6 is a top plan view thereof; and, FIG. 7 is a bottom plan view thereof.

**1 Claim, 5 Drawing Sheets**



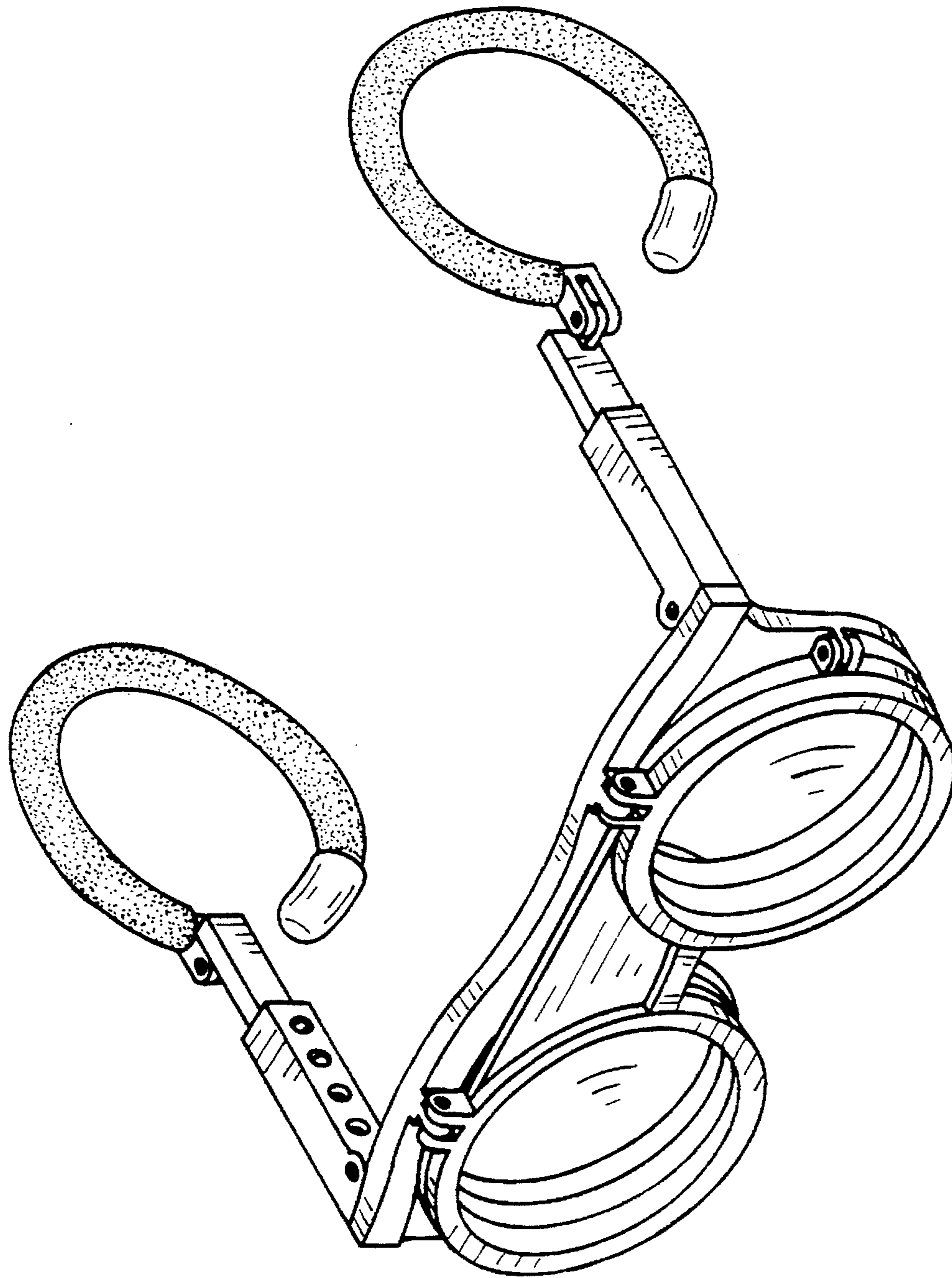


FIG. 1

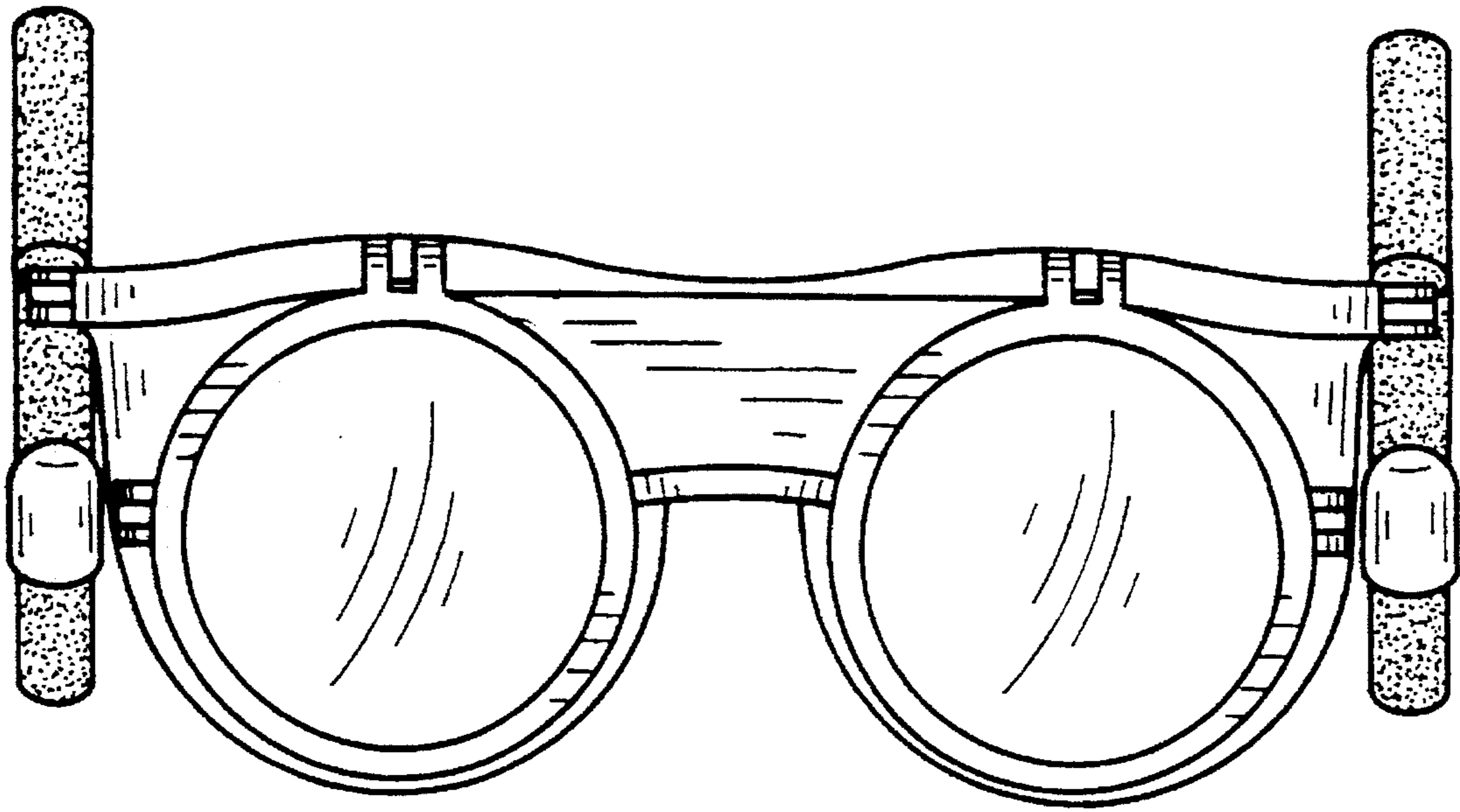


FIG. 2

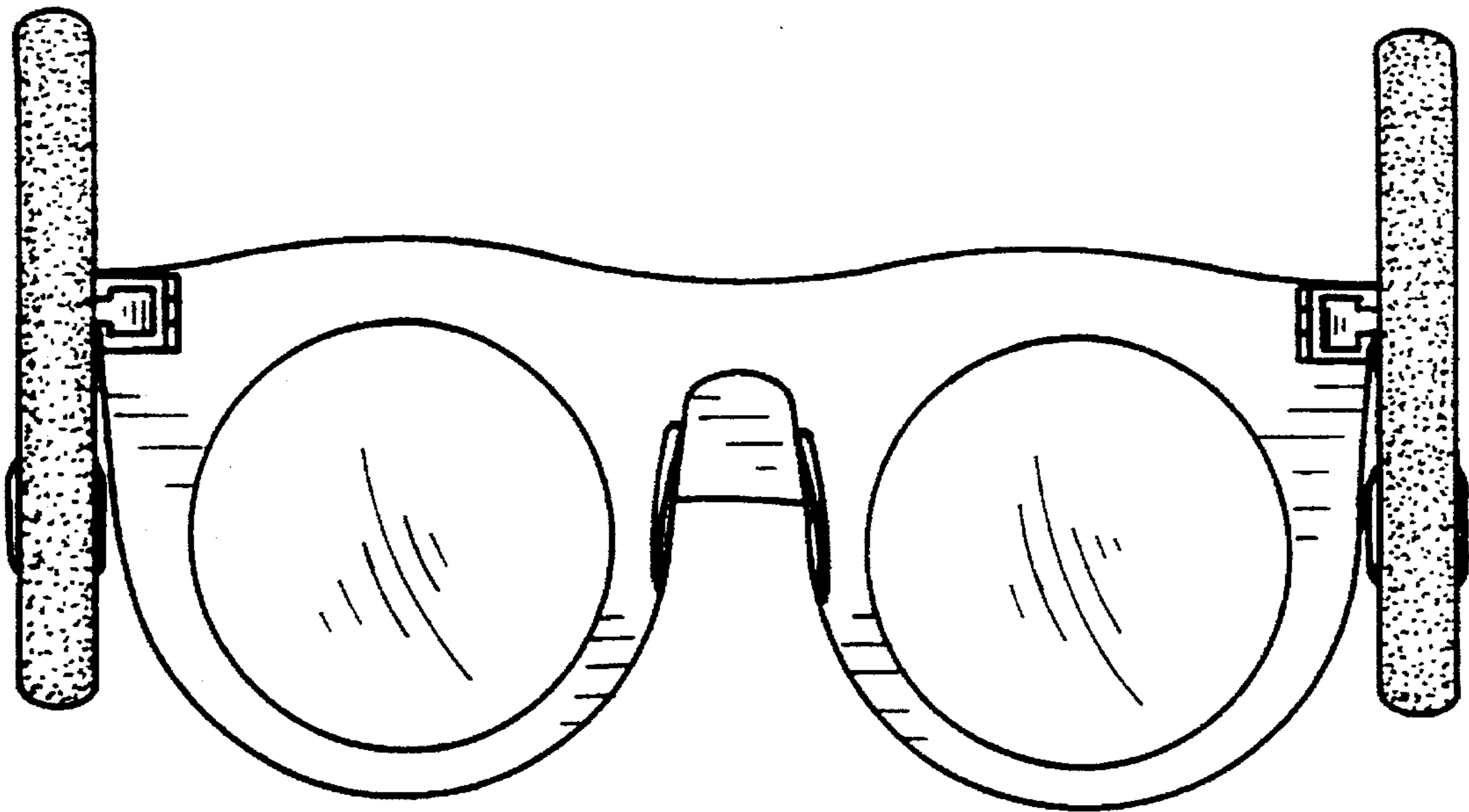


FIG. 3

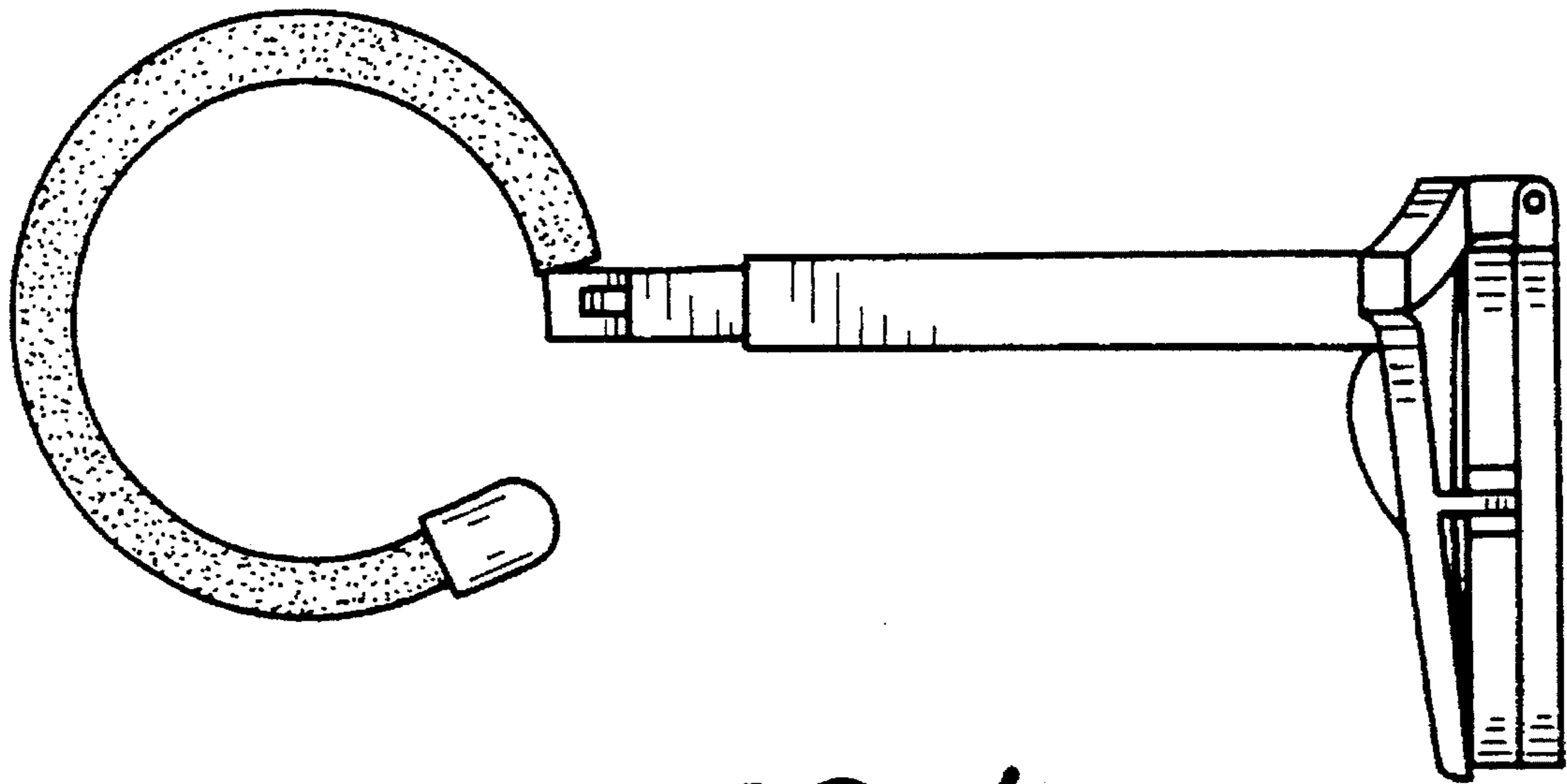


FIG. 4

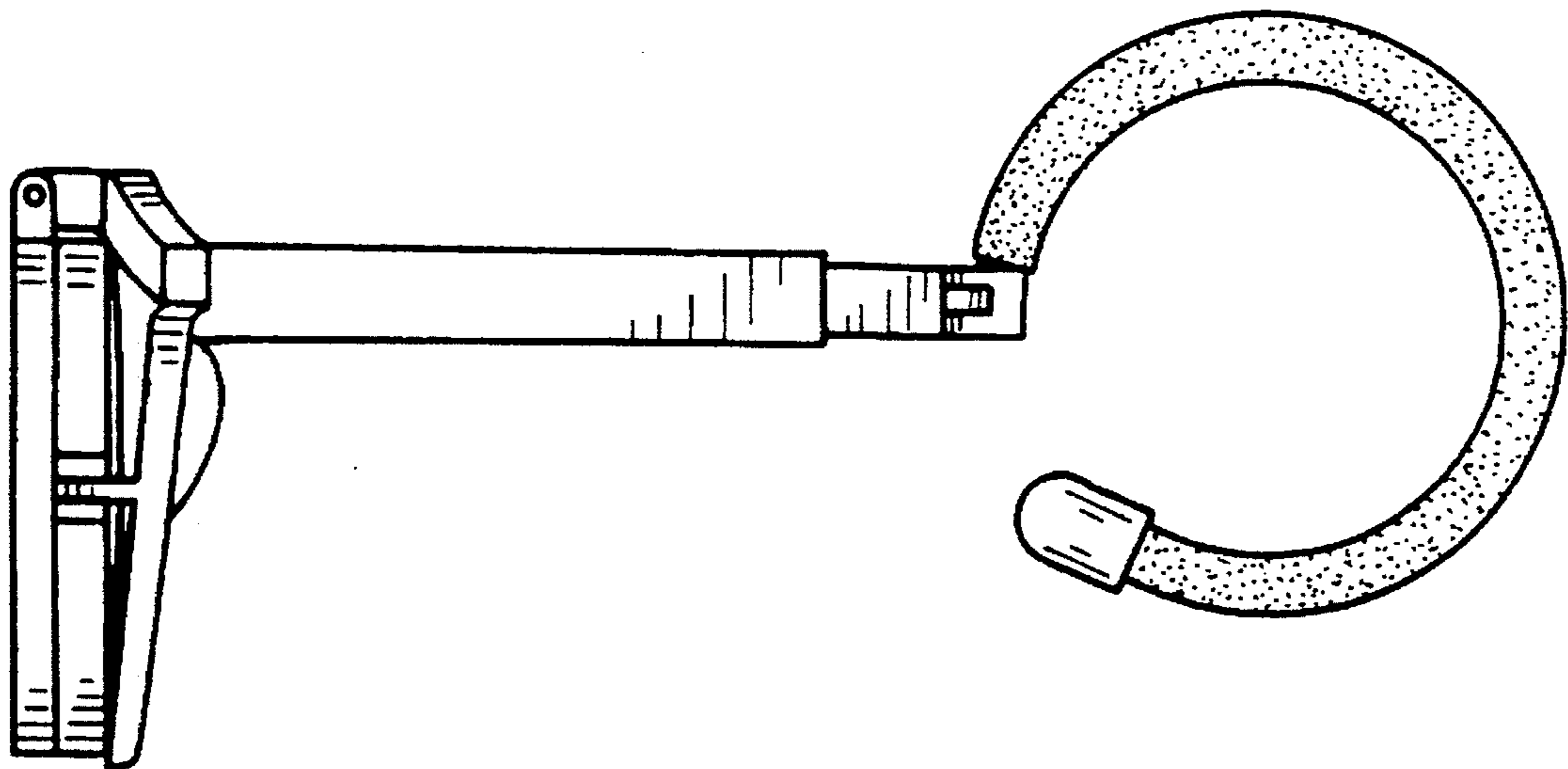


FIG. 5

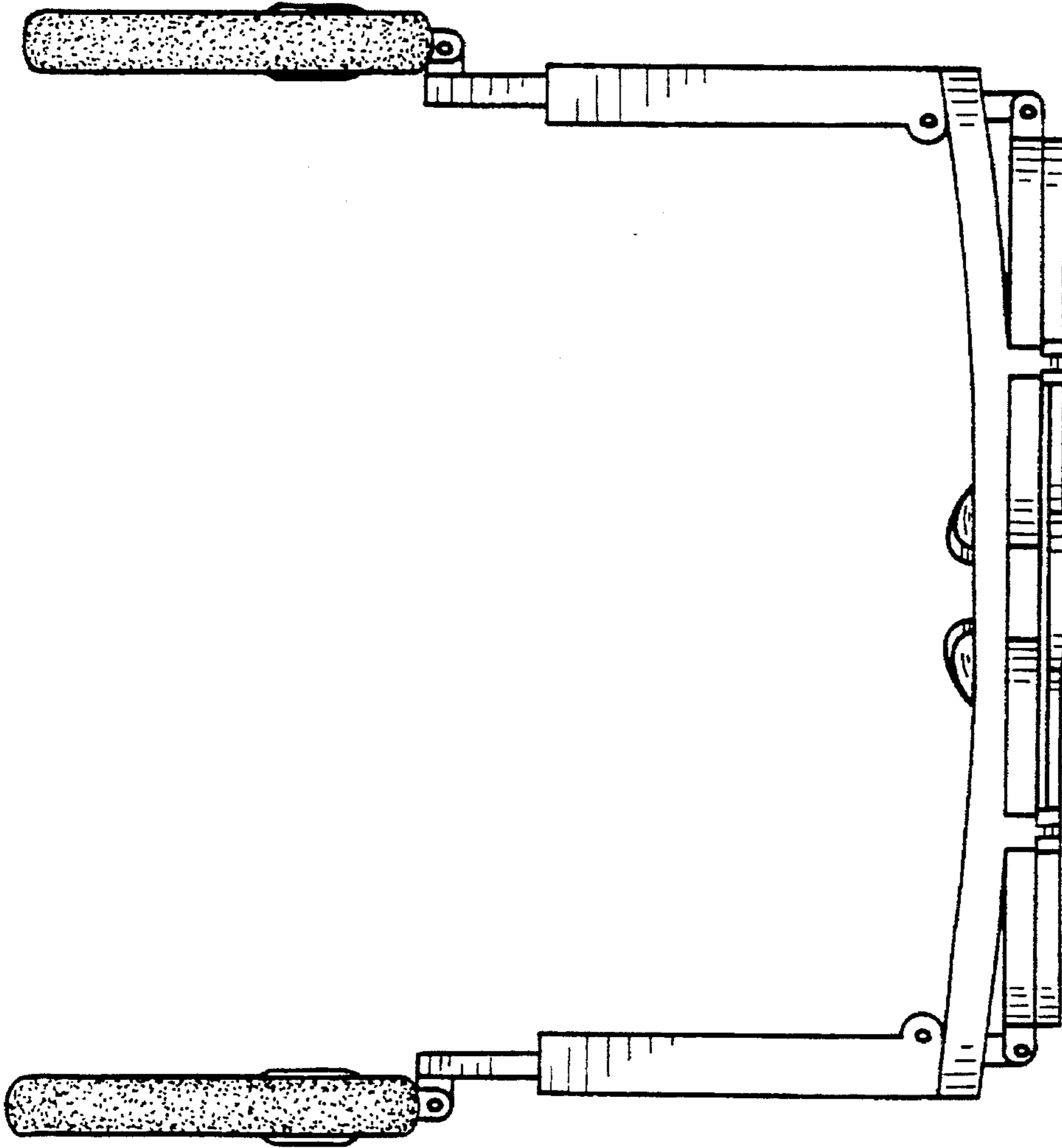


FIG. 6

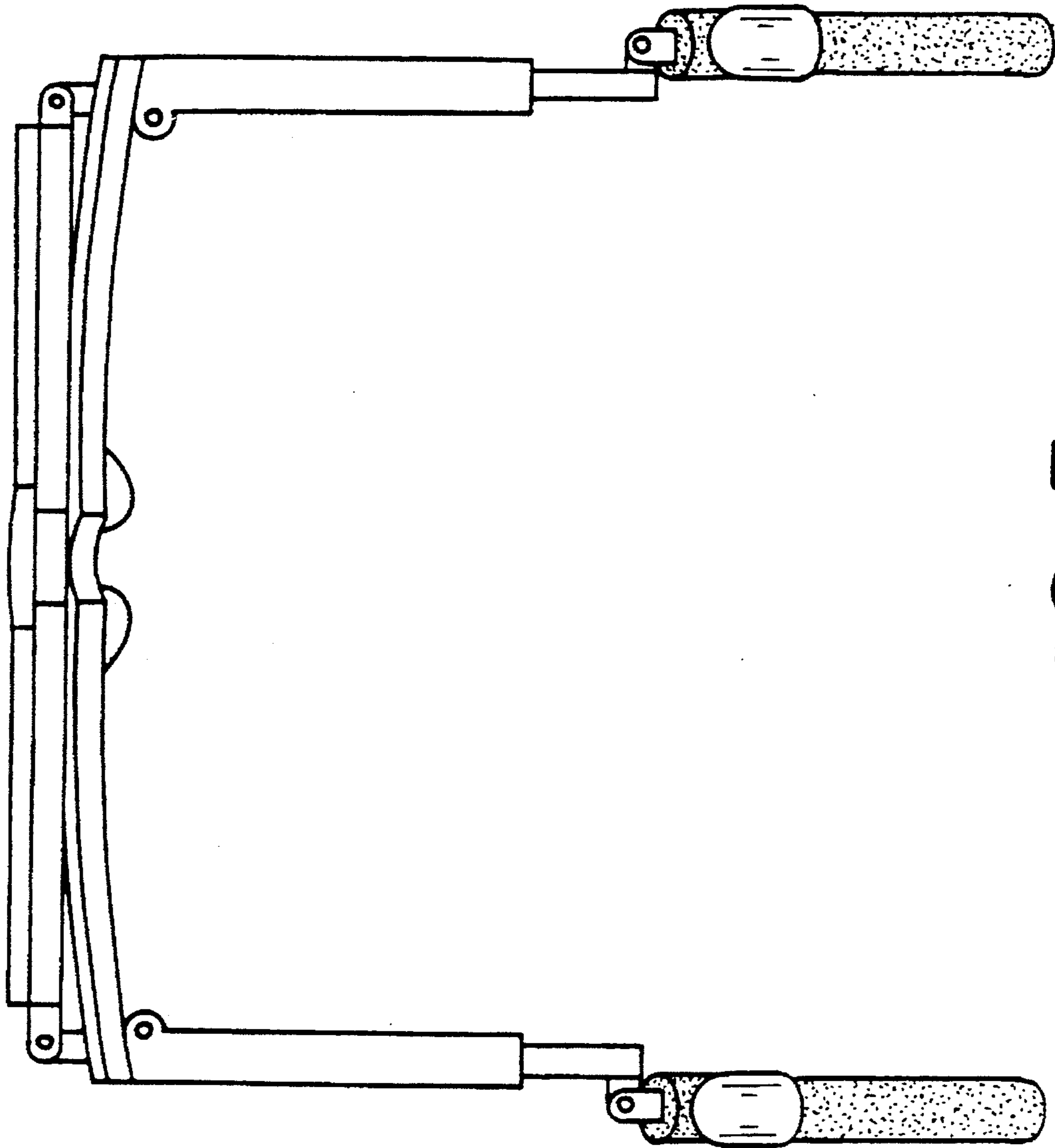


FIG. 7