



US00D364635S

United States Patent [19]

[11] Patent Number: **Des. 364,635**

Chapman et al.

[45] Date of Patent: ****Nov. 28, 1995**

[54] **DAYLIGHT CAMERA**

[75] Inventors: **Steven S. Chapman, Corfu; John K. McBride, Rochester; James G. Rydelek, Henrietta, all of N.Y.**

[73] Assignee: **Eastman Kodak Company, Rochester, N.Y.**

[**] Term: **14 Years**

[21] Appl. No.: **30,415**

[22] Filed: **Oct. 28, 1994**

[52] U.S. Cl. **D16/218; D16/200**

[58] Field of Search **D16/200-205, D16/208, 209, 216-218; 354/64, 75, 152, 202, 288**

[56] **References Cited**

U.S. PATENT DOCUMENTS

D. 320,610	10/1991	Chan	D16/218
D. 323,523	1/1992	Tanaka et al.	D16/209
D. 329,864	9/1992	Kawagoe	D16/218
D. 340,734	10/1993	Ito	D16/209
D. 345,987	4/1994	Nihei	D16/209
D. 345,988	4/1994	Nojima et al.	D16/209
D. 346,176	4/1994	Nihei	D16/209

D. 353,605	12/1994	Horikiri	D16/208
D. 353,607	12/1994	Kamitani	D16/208
4,273,434	6/1981	Maitani et al.	354/288
4,866,470	9/1989	Arai et al.	354/288
5,329,330	7/1994	Sakai et al.	354/288

OTHER PUBLICATIONS

Evans Catalog, 1988-1989 p. 305y (Vivitar's PS-120).

Primary Examiner—Ted Shooman

Assistant Examiner—Adir Aronovich

Attorney, Agent, or Firm—Roger A. Fields

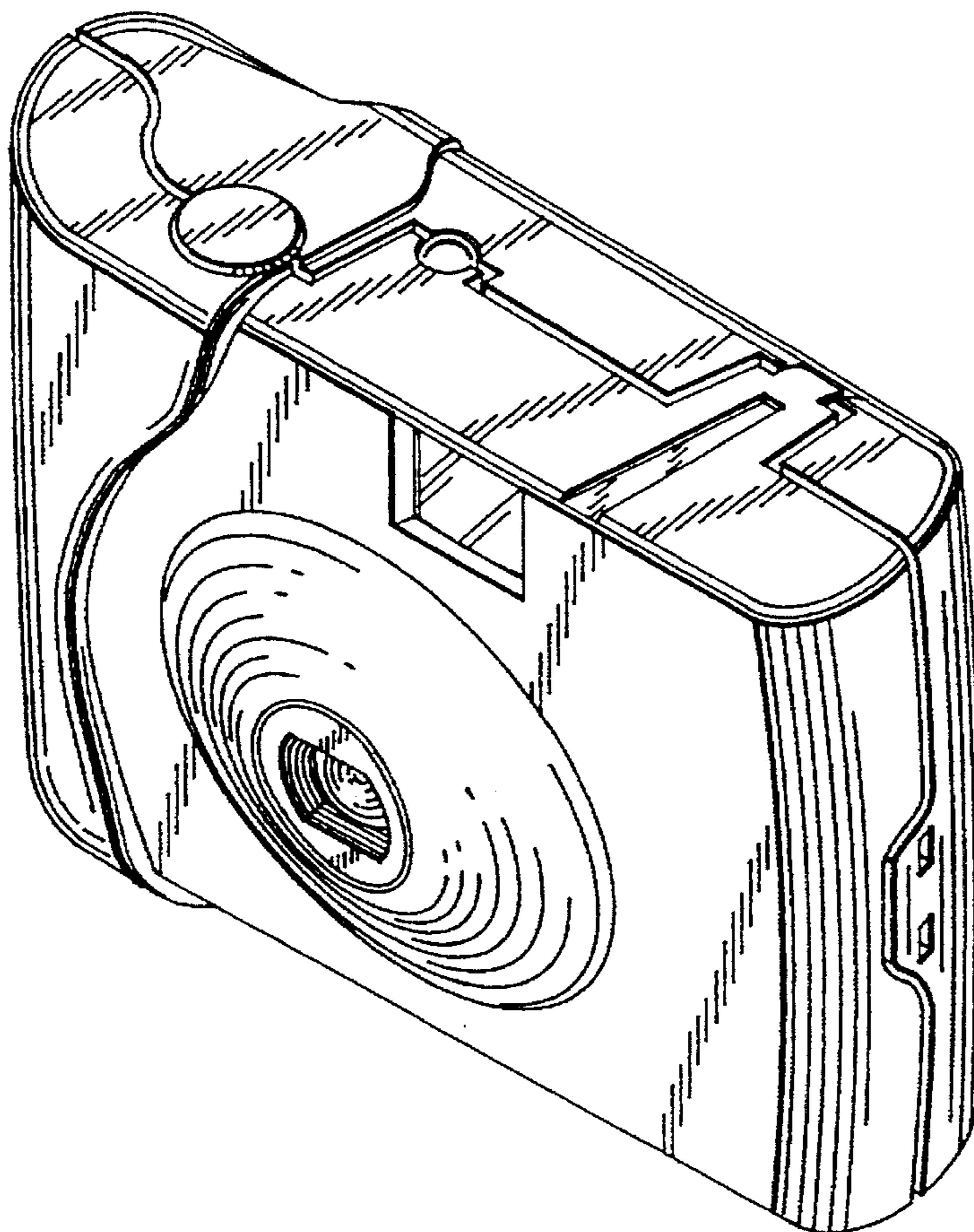
[57] **CLAIM**

The ornamental design for a daylight camera, as shown.

DESCRIPTION

FIG. 1 is a front, top, right-side perspective view of a daylight camera, showing our new design;
 FIG. 2 is a rear, bottom, left-side perspective view thereof;
 FIG. 3 is a front elevation view thereof;
 FIG. 4 is a rear elevation view thereof;
 FIG. 5 is a left-side elevation view thereof;
 FIG. 6 is a right-side elevation view thereof;
 FIG. 7 is a top plan view thereof; and,
 FIG. 8 is a bottom plan view thereof.

1 Claim, 8 Drawing Sheets



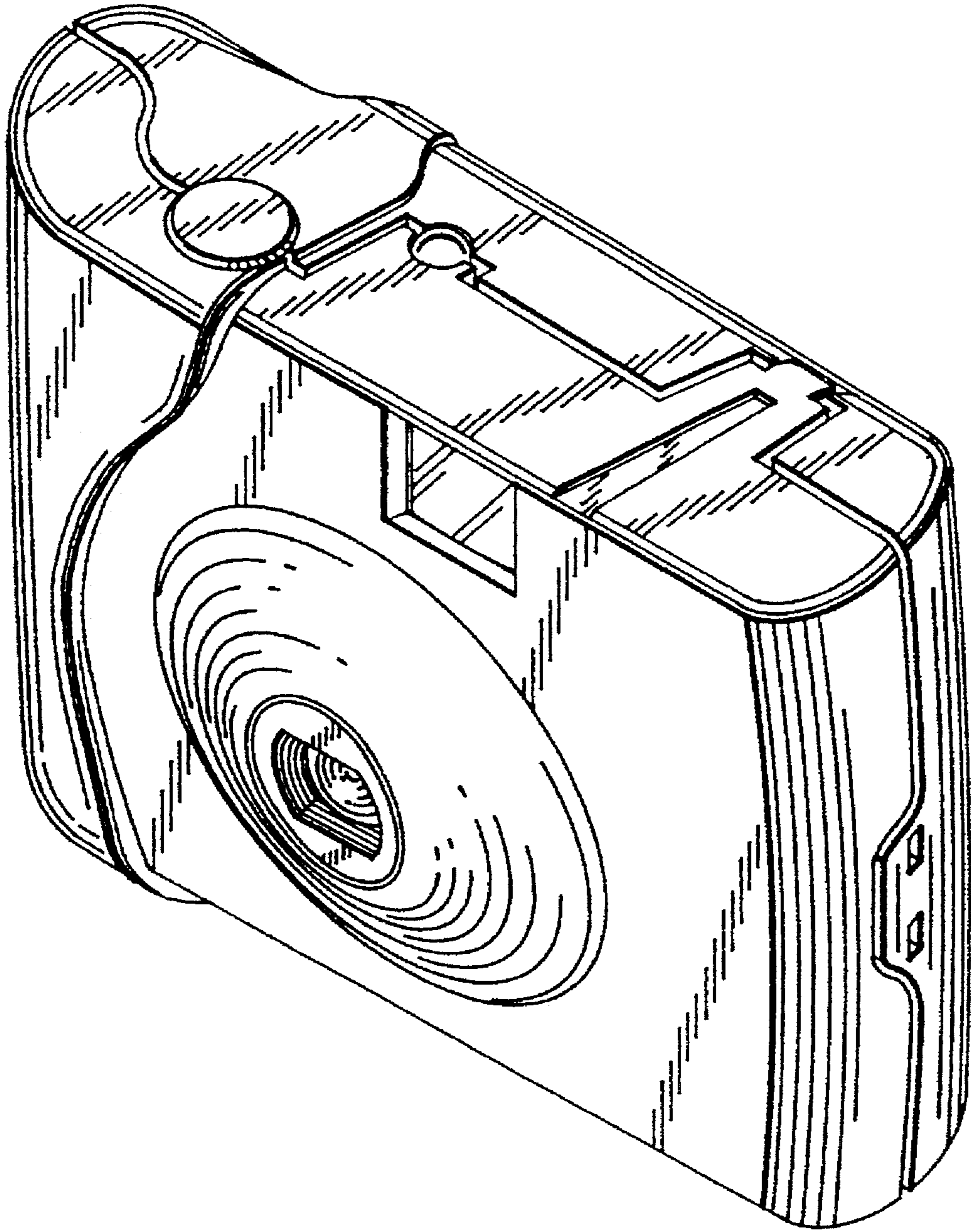


FIG. 1

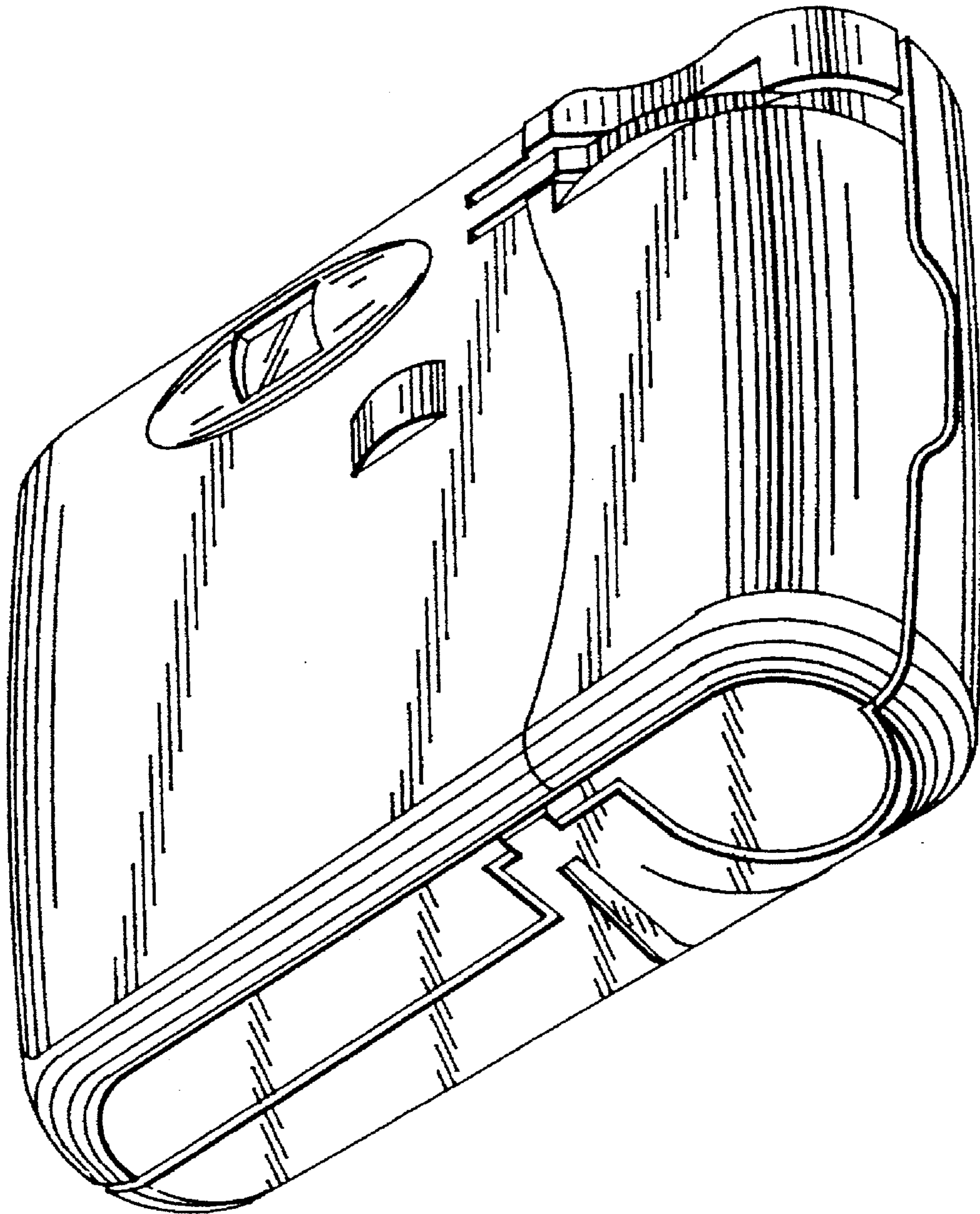


FIG. 2

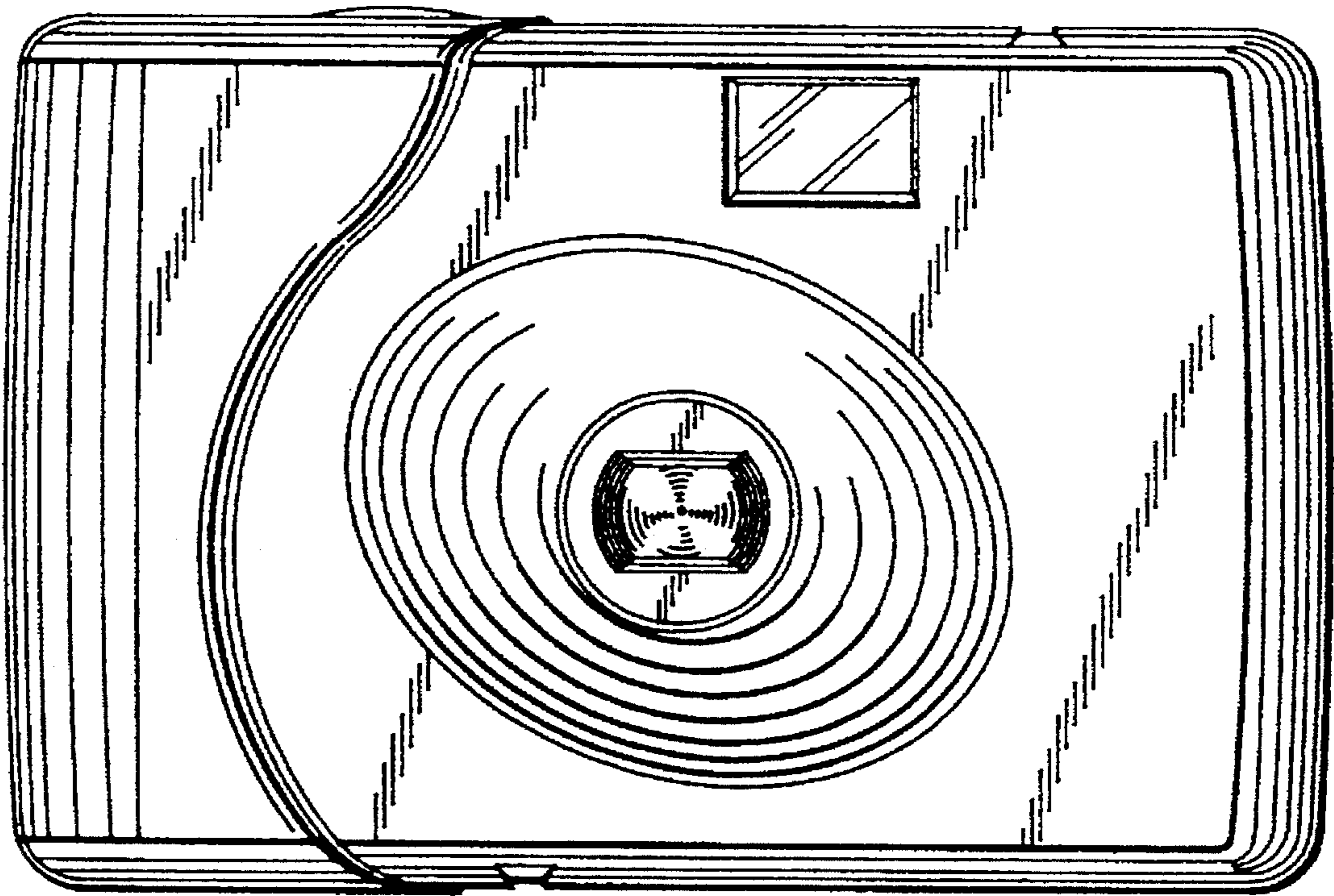


FIG. 3

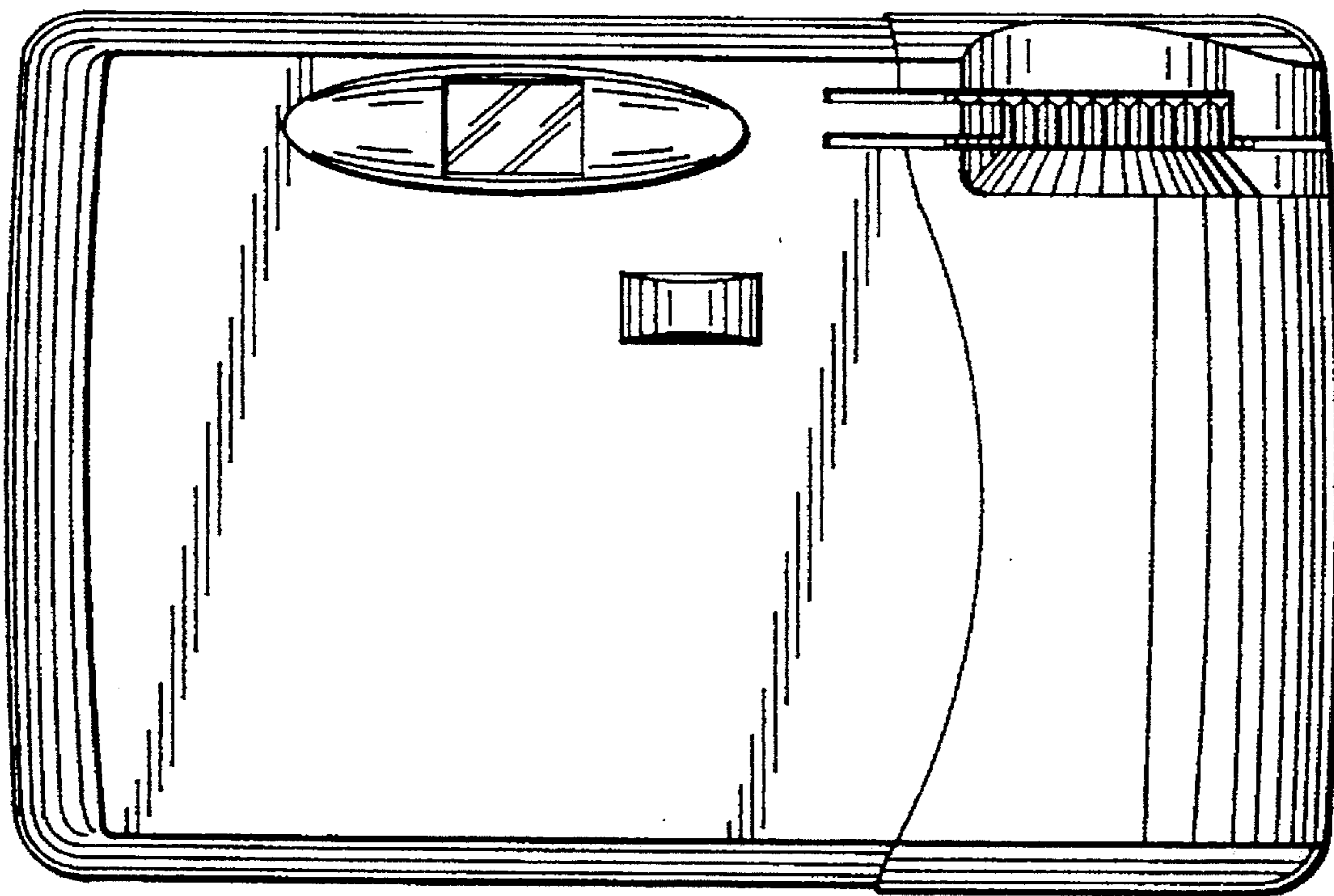


FIG. 4

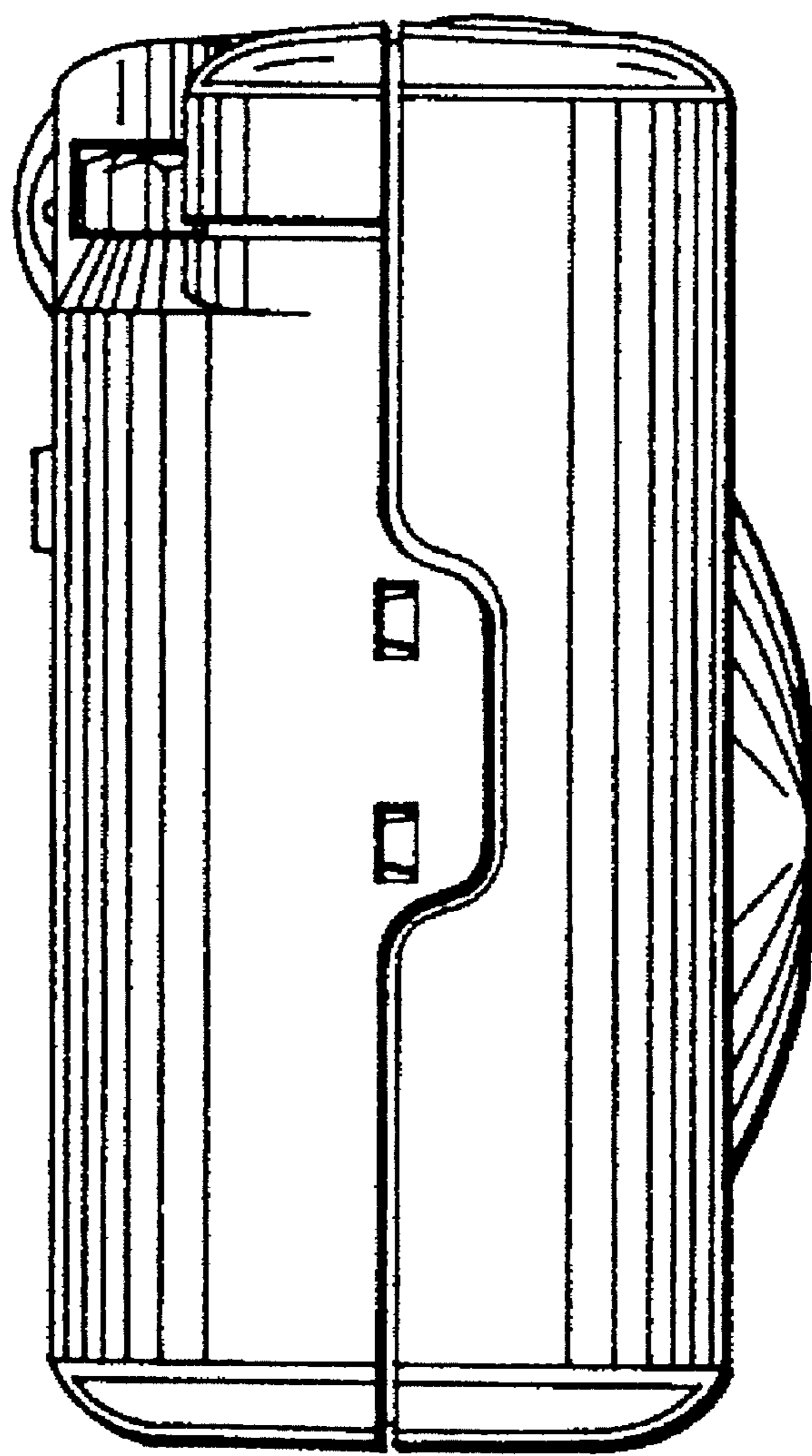


FIG. 5

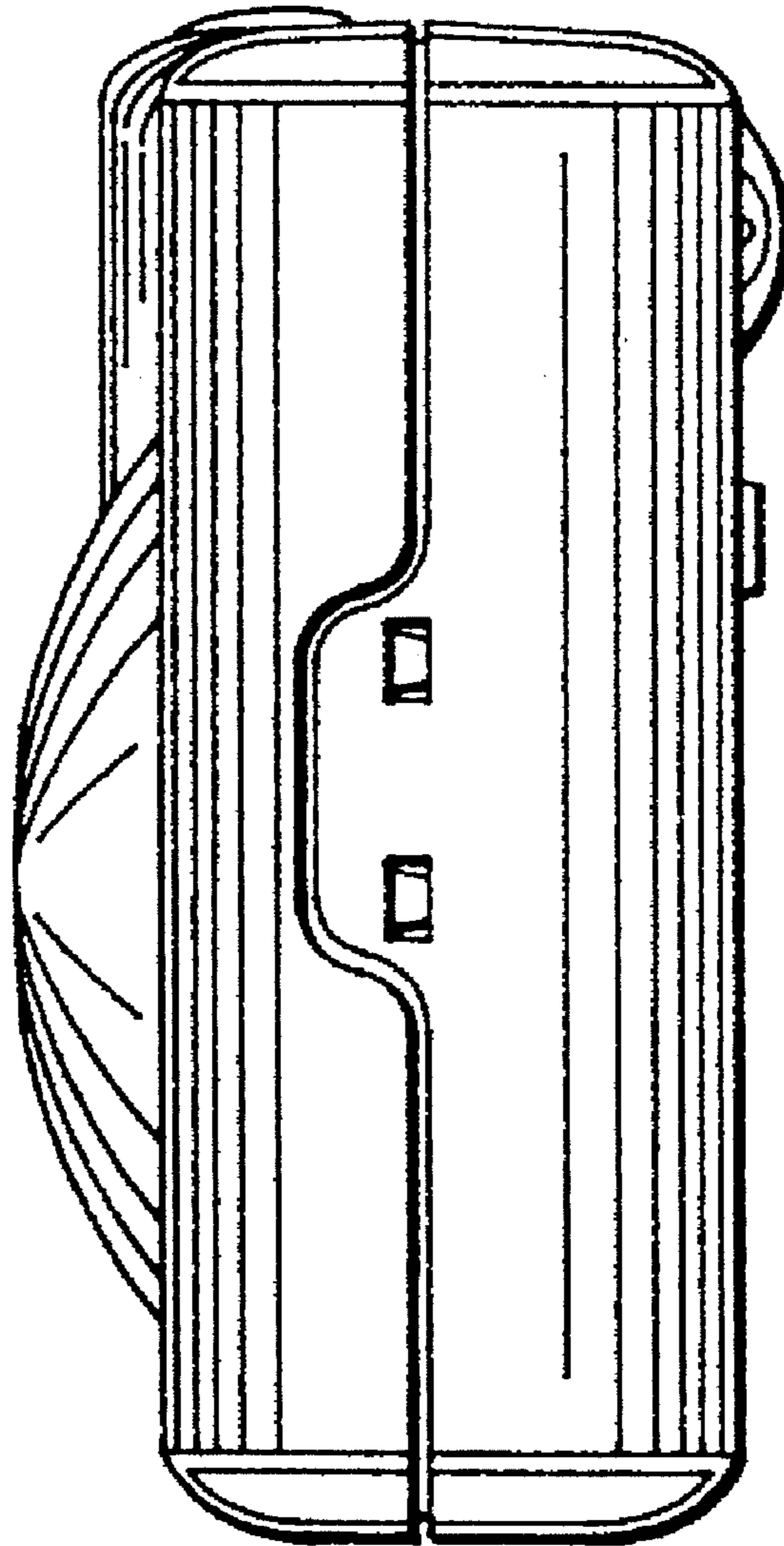


FIG. 6

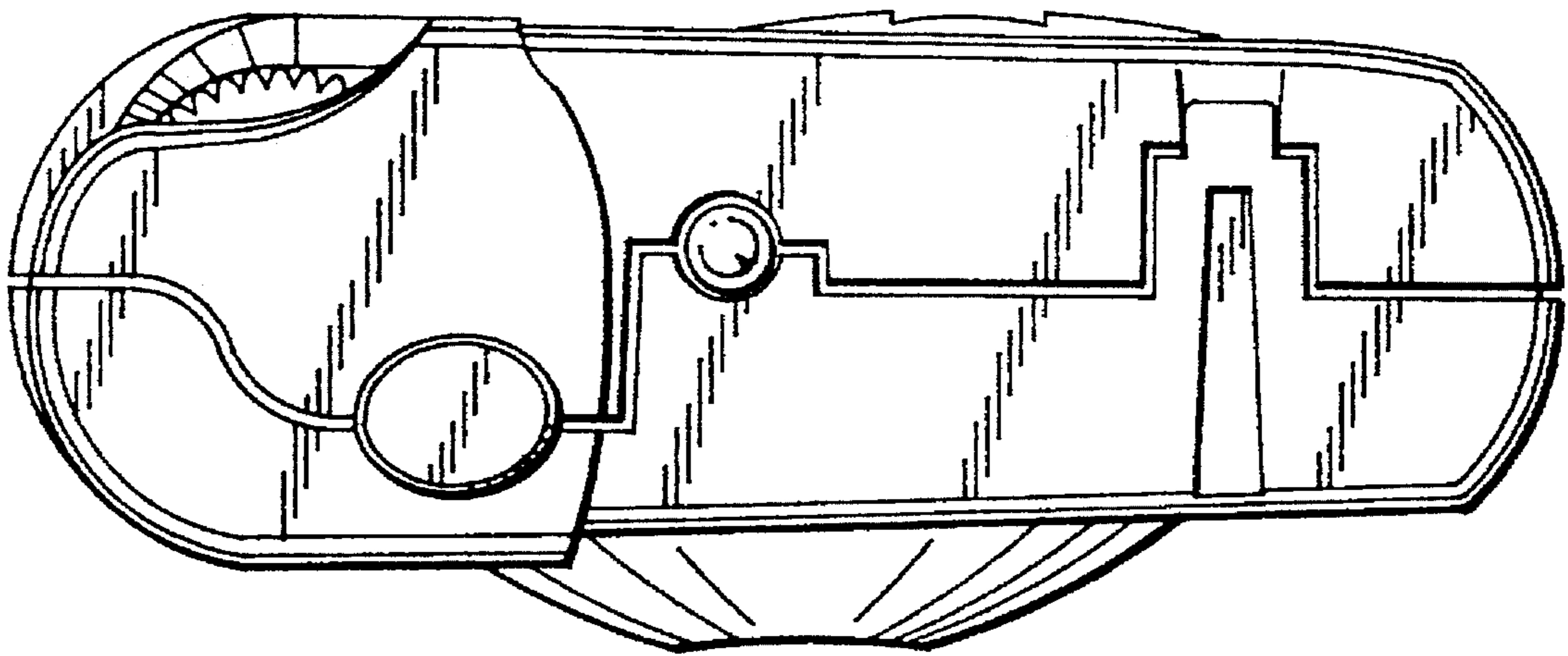


FIG. 7

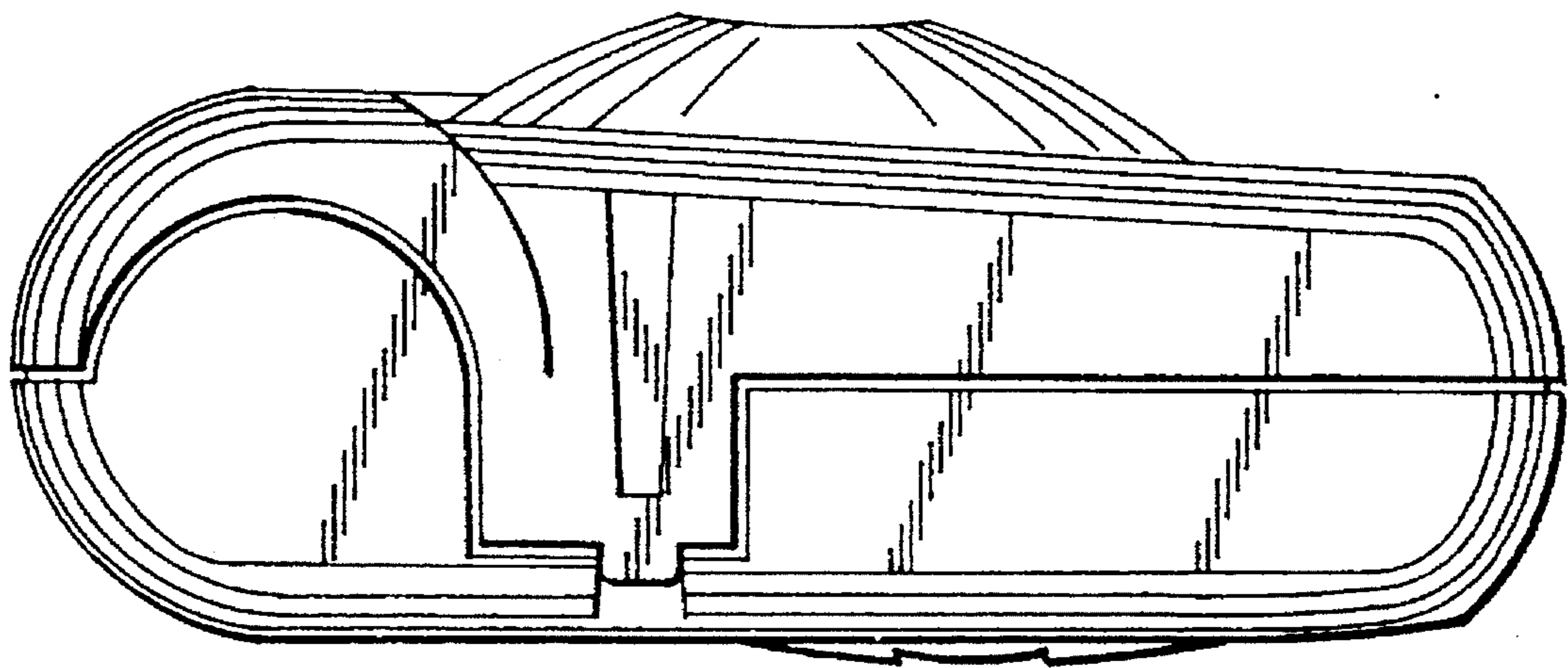


FIG. 8