



US00D364633S

United States Patent [19]

[11] Patent Number: **Des. 364,633**

Goto et al.

[45] Date of Patent: ****Nov. 28, 1995**

[54] VIDEO CAMERA WITH VIDEO TAPE RECORDER

[75] Inventors: **Masaaki Goto; Shigetada Ninomiya,** both of Ehime, Japan

[73] Assignee: **Matsushita Electric Industrial Co., Ltd.,** Osaka, Japan

[**] Term: **14 Years**

[21] Appl. No.: **35,138**

[22] Filed: **Feb. 21, 1995**

[30] Foreign Application Priority Data

Sep. 29, 1994 [JP] Japan 6-29812

[52] U.S. Cl. **D16/202**

[58] Field of Search D16/200-205, D16/208; 348/143, 207, 373-376; 352/242, 243; 354/82, 288; 358/906; H04N 5/225

[56] References Cited

U.S. PATENT DOCUMENTS

D. 334,395	3/1993	Kurokawa	D16/202
D. 335,500	5/1993	Mori et al.	D16/202
D. 343,183	1/1994	Hong	D16/202
D. 356,100	3/1995	Mori et al.	D16/202
5,189,520	2/1993	Okayasu et al.	358/906

OTHER PUBLICATIONS

Video Magazine, Jan. 1993 p. 3 (Yashica's KX-H3).
Panasonic's PV-IQ303, May 1994 one sheet.
1 Sheet-Victor's-Apr., 1994.

Primary Examiner—Ted Shooman
Assistant Examiner—Adir Aronovich
Attorney, Agent, or Firm—Sughrue, Mion, Zinn, Macpeak & Seas

[57] CLAIM

The ornamental design for a video camera with video tape recorder, as shown and described.

DESCRIPTION

FIG. 1 is a perspective view of the front, top and right side of a video camera with video tape recorder showing our new design;
FIG. 2 is a perspective view of the top, rear and right side thereof;
FIG. 3 is a front elevational view thereof;
FIG. 4 is a rear elevational view thereof;
FIG. 5 is a top plan view thereof;
FIG. 6 is a bottom plan view thereof;
FIG. 7 is a left side elevational view thereof;
FIG. 8 is a right side elevational view thereof; and,
FIG. 9 is a view similar to FIG. 2 with the eye piece pivoted to an inoperative carrying position.

1 Claim, 4 Drawing Sheets

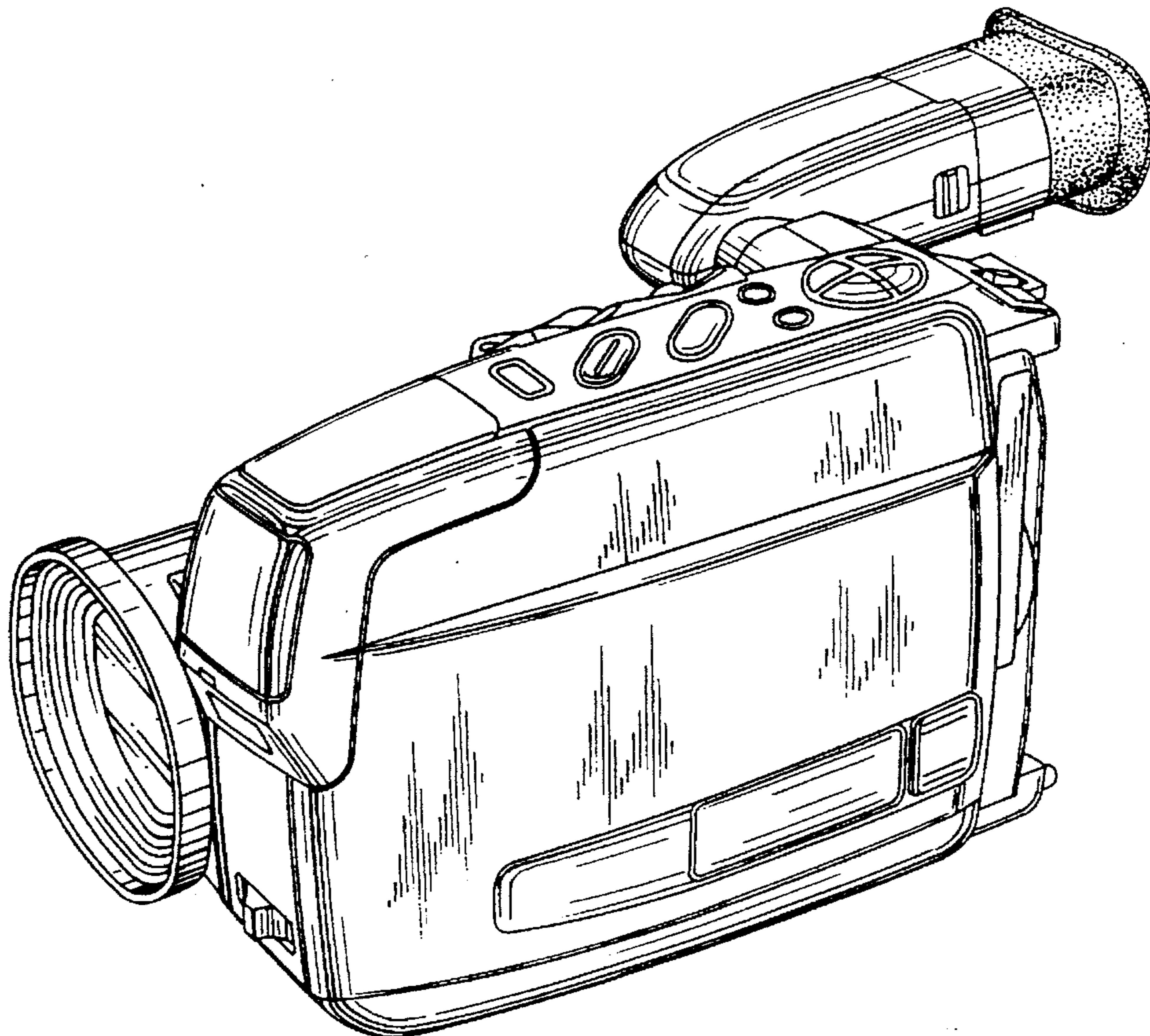


FIG. 1

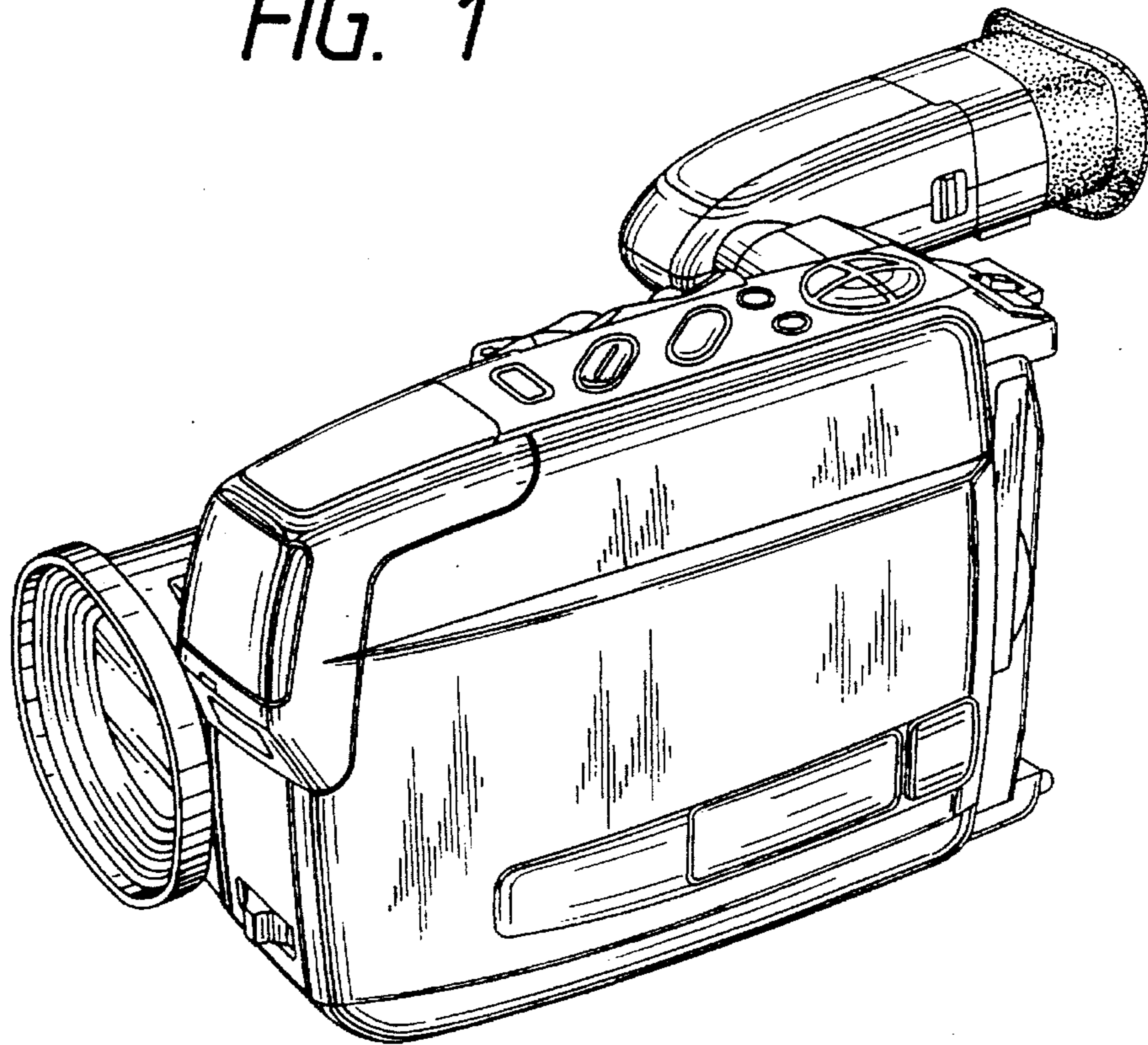


FIG. 2

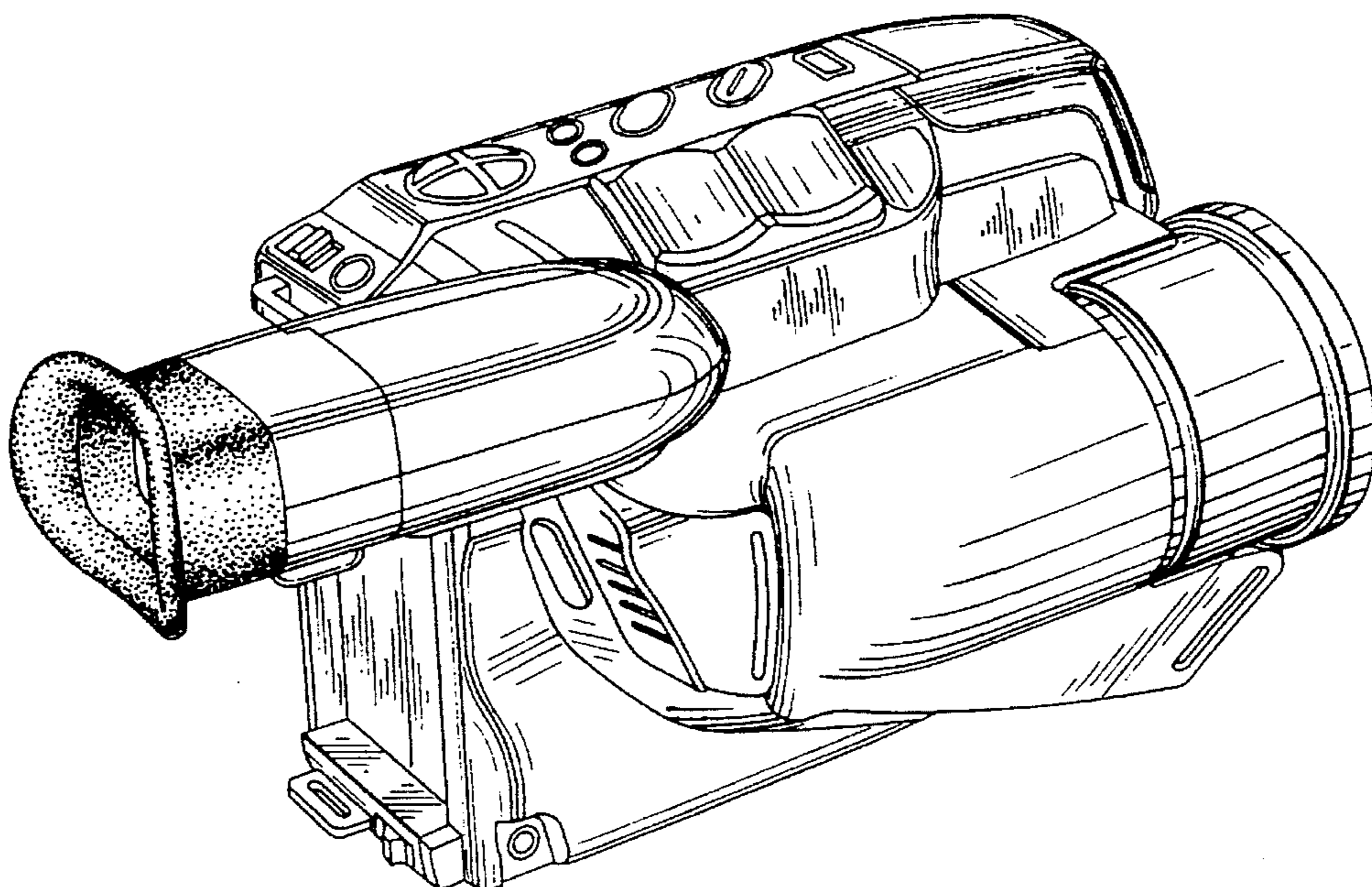


FIG. 3

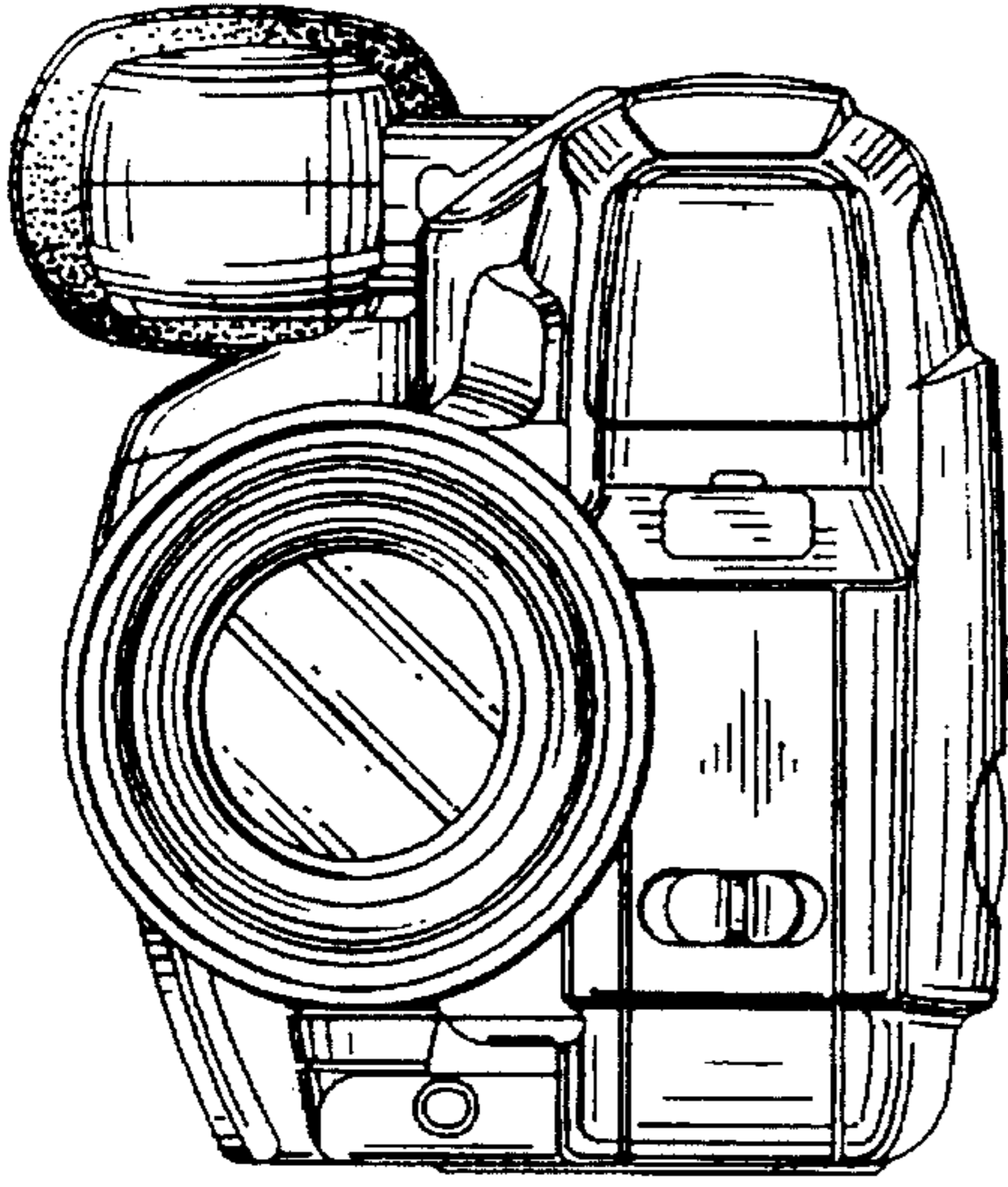


FIG. 4

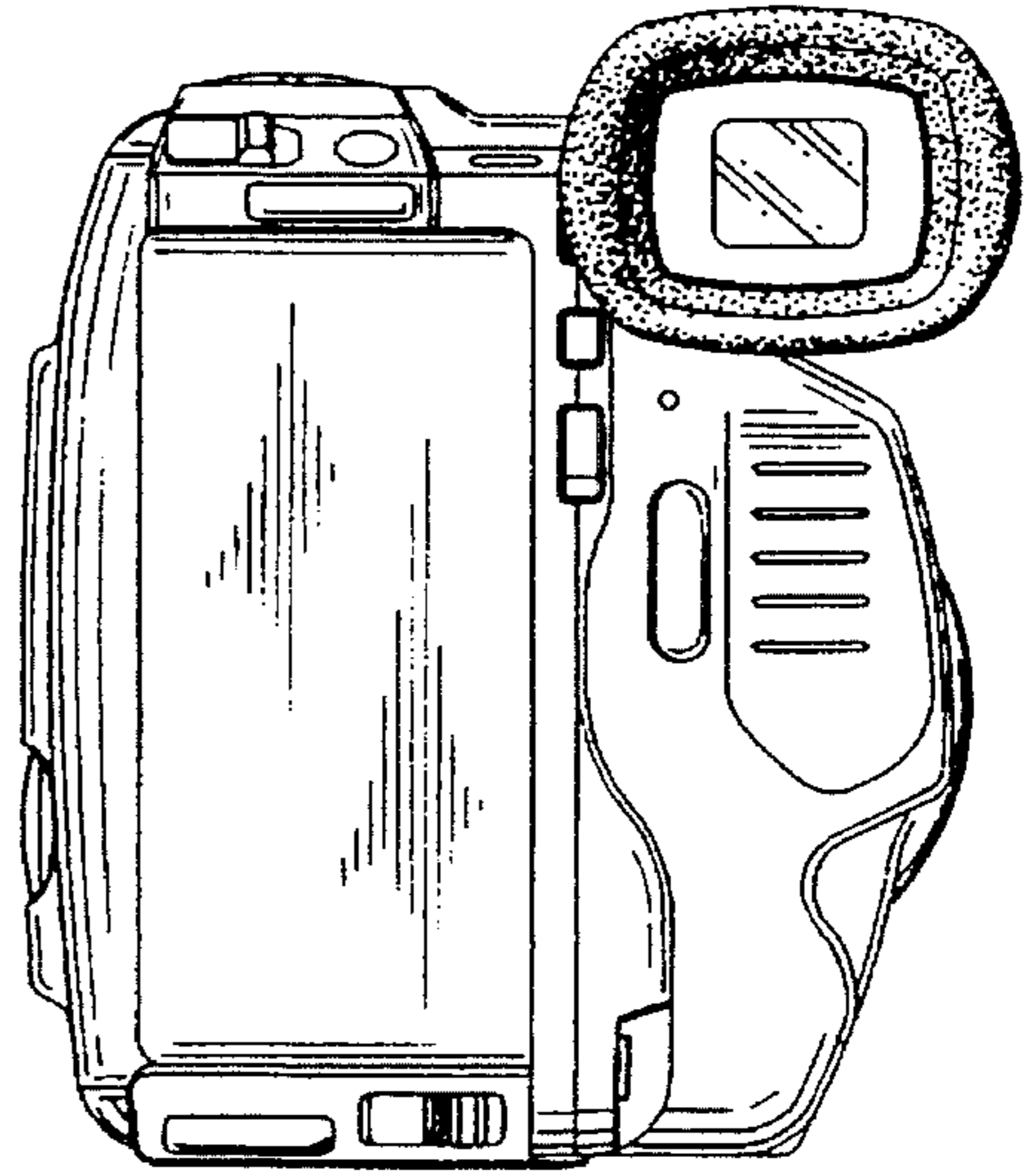


FIG. 5

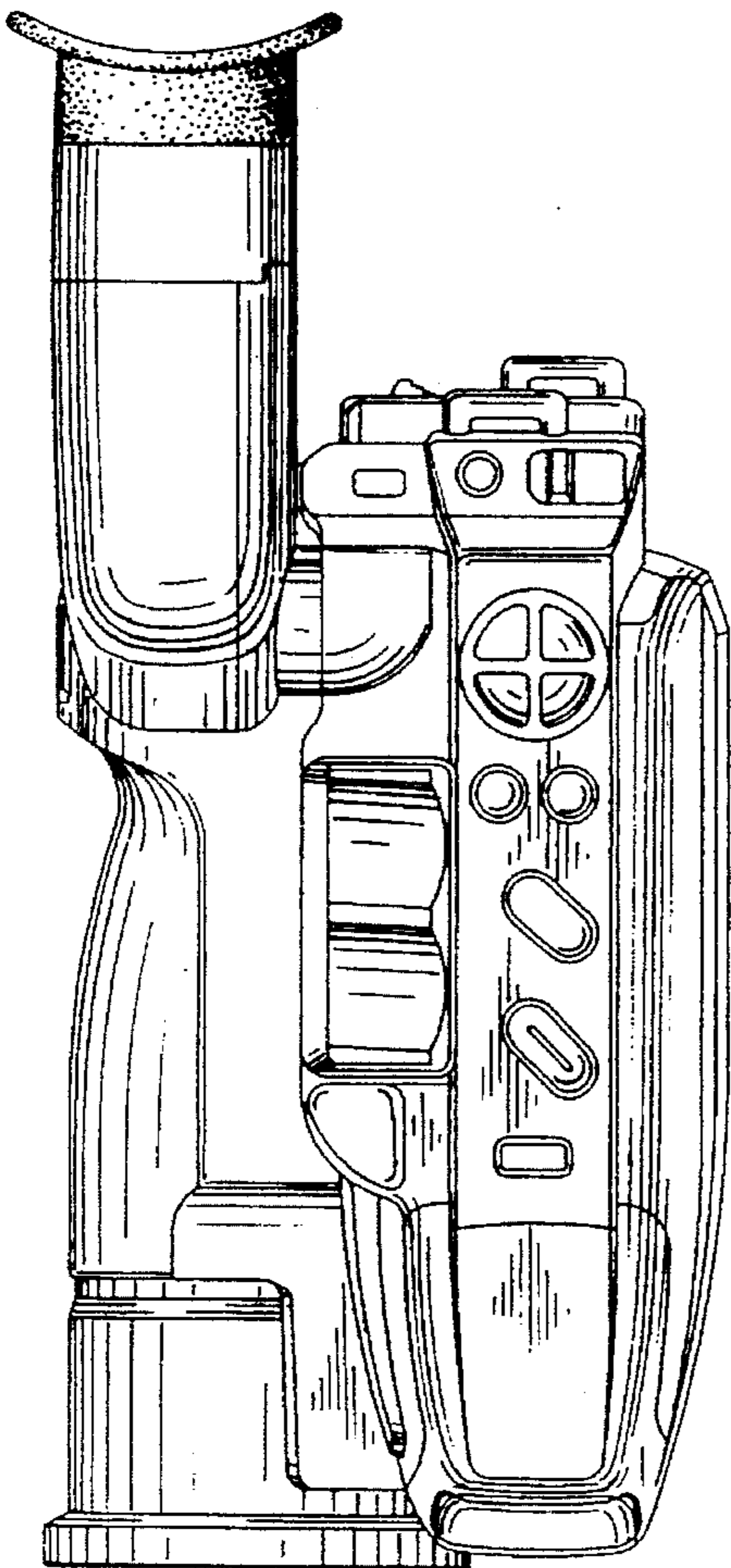


FIG. 6

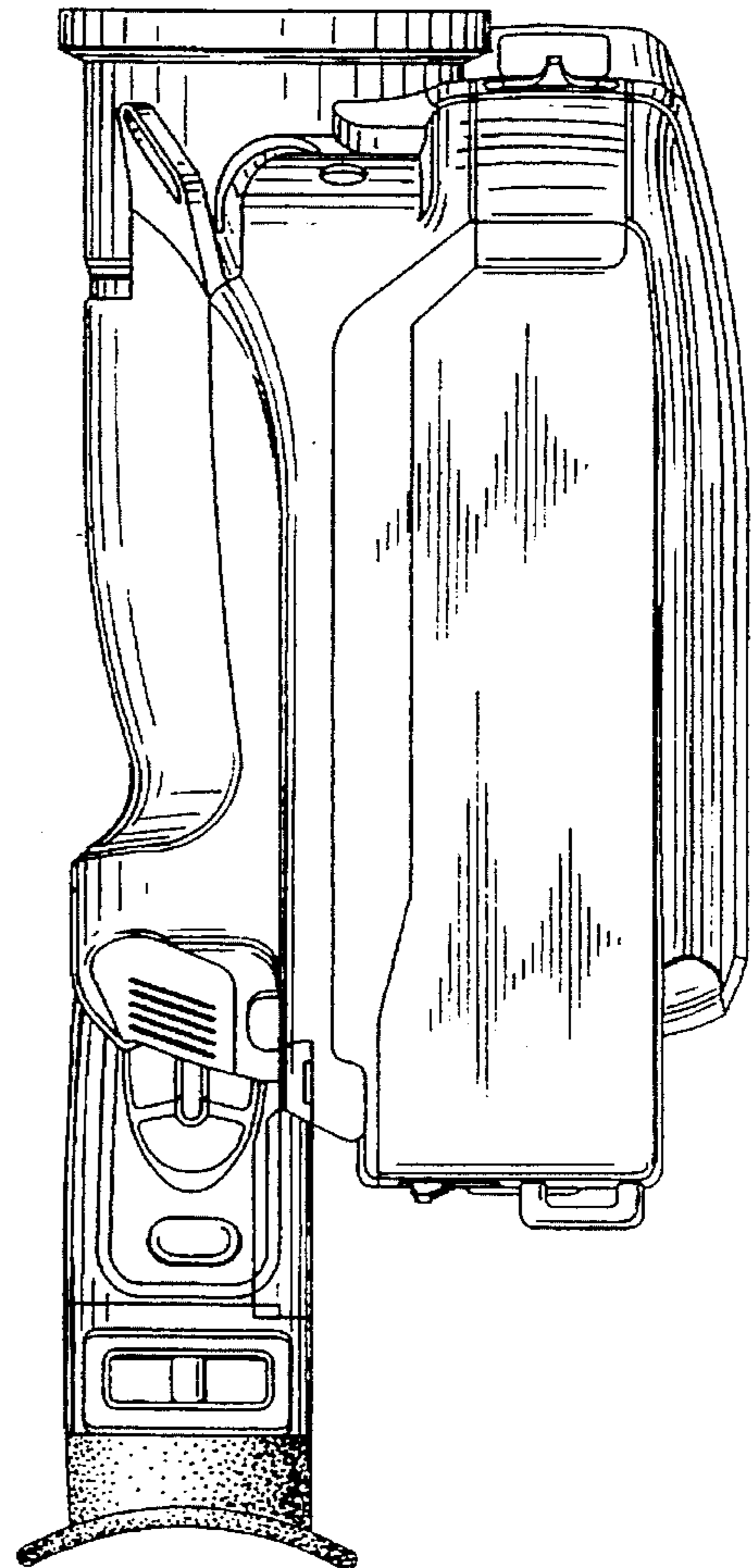


FIG. 7

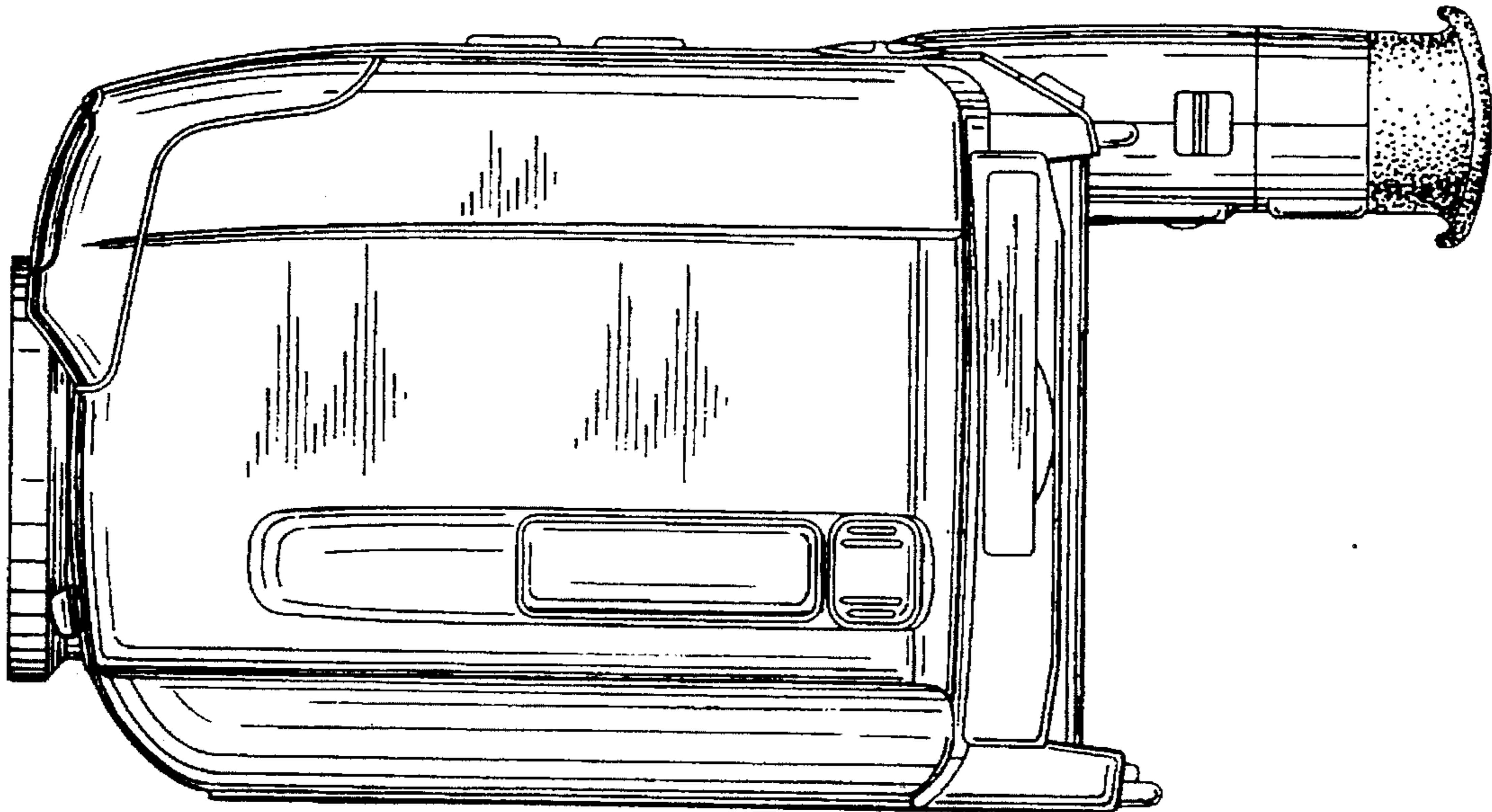


FIG. 8

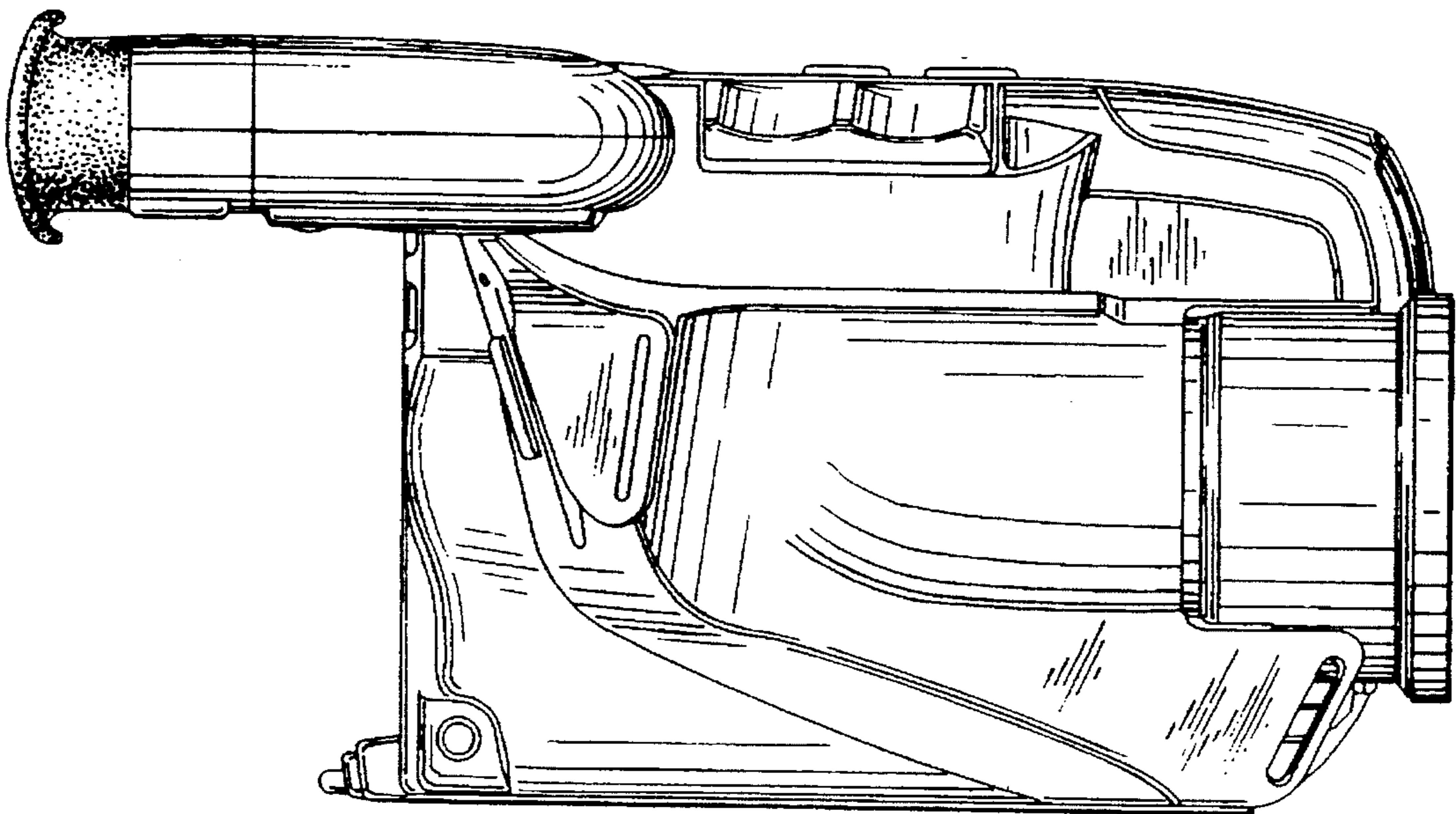


FIG. 9

