



US00D364632S

# United States Patent [19]

Nakashima et al.

[11] Patent Number: **Des. 364,632**

[45] Date of Patent: **\*\*Nov. 28, 1995**

[54] TELEVISION CAMERA

[75] Inventors: **Toshihiro Nakashima; Makoto Nishida; Kazuma Yoshimura**, all of Fukuoka, Japan

[73] Assignee: **Matsushita Electric Industrial Co., Ltd.**, Osaka, Japan

[\*\*] Term: **14 Years**

[21] Appl. No.: **32,595**

[22] Filed: **Dec. 21, 1994**

### [30] Foreign Application Priority Data

Jun. 21, 1994 [JP] Japan ..... 6-18364

[52] U.S. Cl. .... **D16/202**

[58] Field of Search ..... D16/200-205, D16/208; D14/107; 348/143, 207, 373-376, 11-17; 352/242, 243; 354/82, 288; 358/906; 379/53; H04N 5/225

### [56] References Cited

#### U.S. PATENT DOCUMENTS

D. 355,205 2/1995 Yokoi ..... D16/202

D. 355,920 2/1995 Shinano ..... D16/202  
D. 355,921 2/1995 Crouch et al. .... D16/202  
5,359,362 10/1994 Lewis et al. .... 348/15  
5,374,952 12/1994 Flohr ..... 345/15

#### OTHER PUBLICATIONS

Computers and Communications, Mar., 1988 p. 10.

*Primary Examiner*—Ted Shooman

*Assistant Examiner*—Adir Aronovich

*Attorney, Agent, or Firm*—Sughrue, Mion, Zinn, Macpeak & Seas

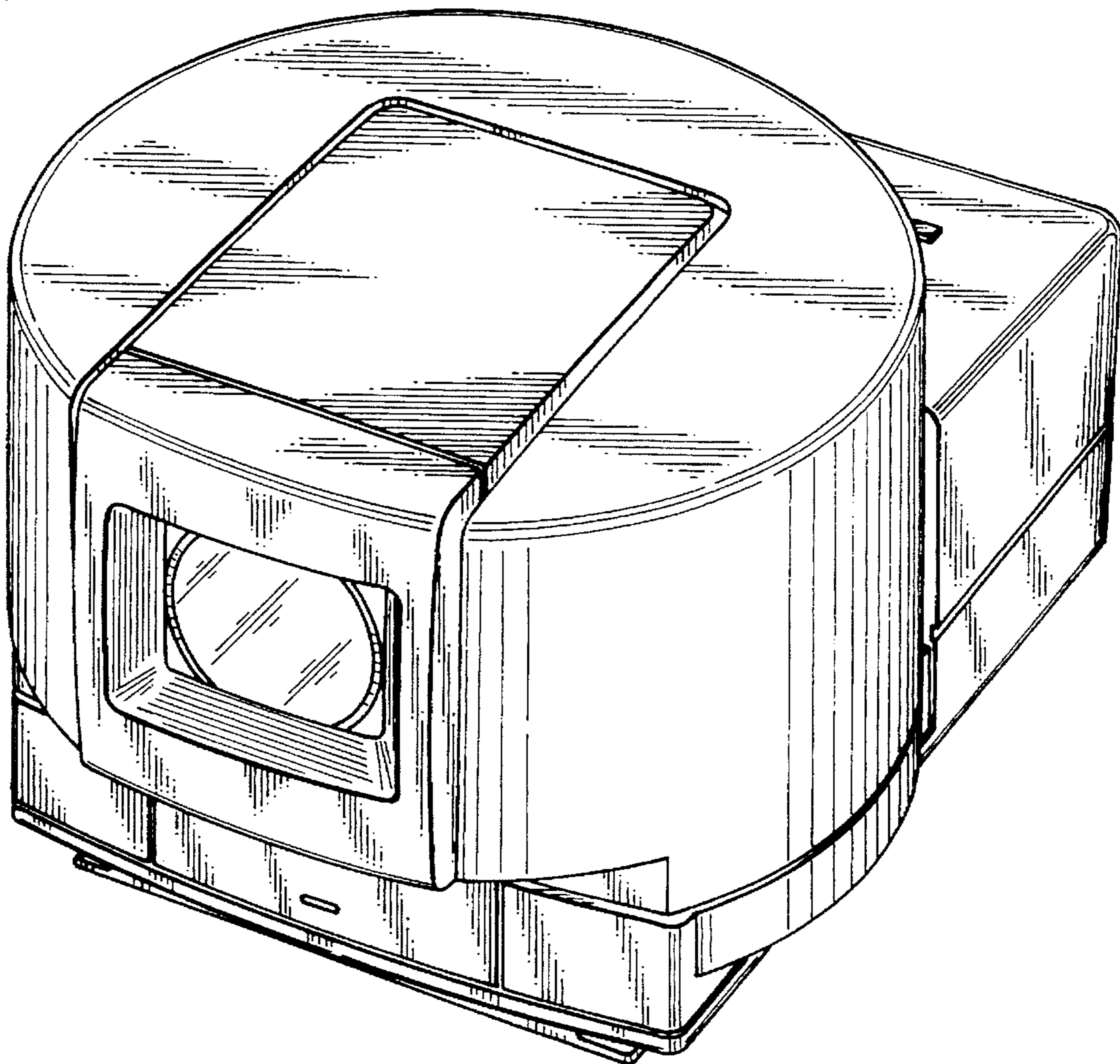
### [57] CLAIM

The ornamental design for a television camera, as shown.

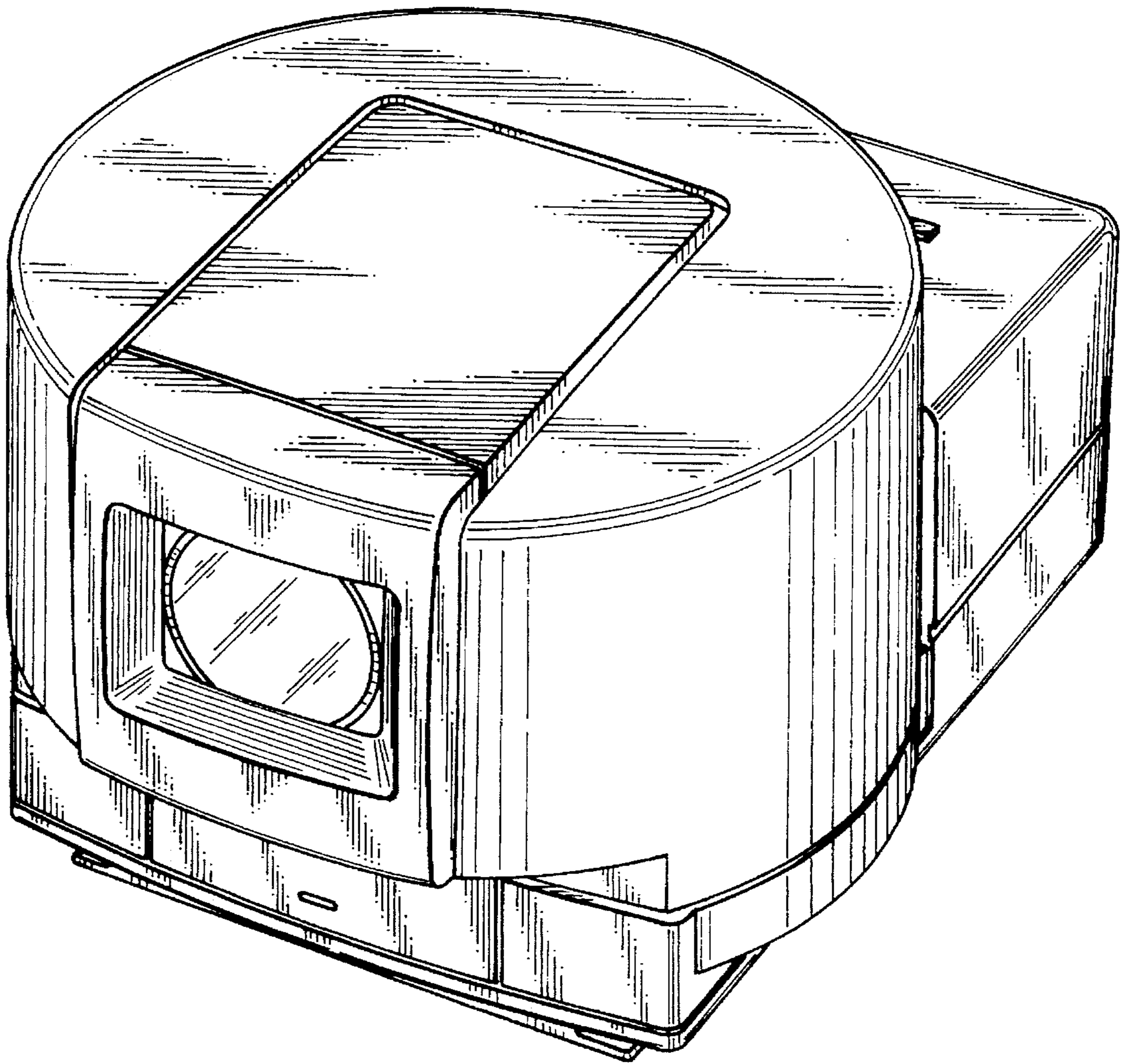
#### DESCRIPTION

FIG. 1 is a perspective view of the top, front and right side of a of a television camera showing our new design; FIG. 2 is a front elevational view thereof; FIG. 3 is a rear elevational view thereof; FIG. 4 is a right side elevational view thereof; FIG. 5 is a left side elevational view thereof; FIG. 6 is a top plan view thereof; and, FIG. 7 is a bottom plan view thereof.

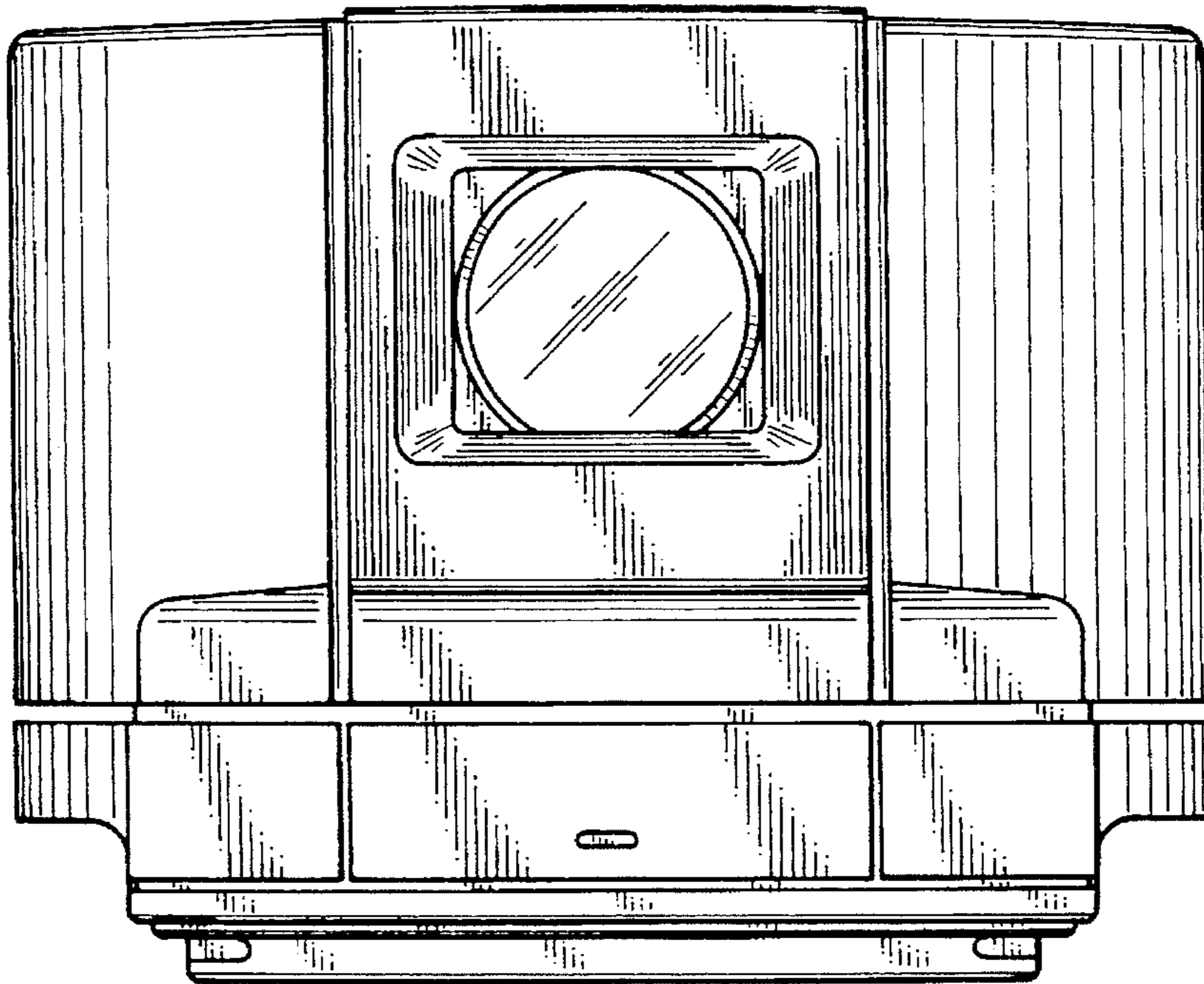
**1 Claim, 5 Drawing Sheets**



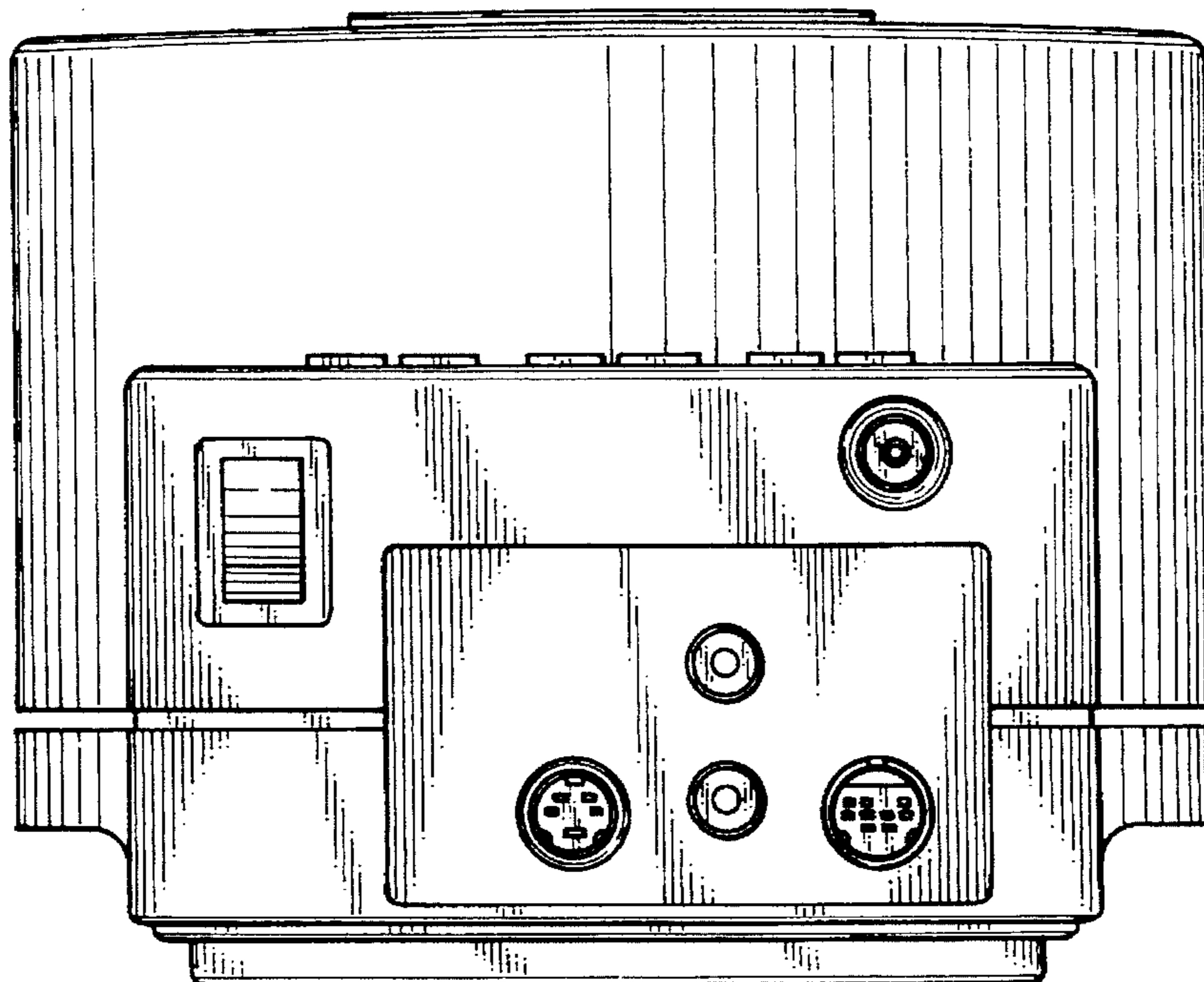
*Fig. 1*



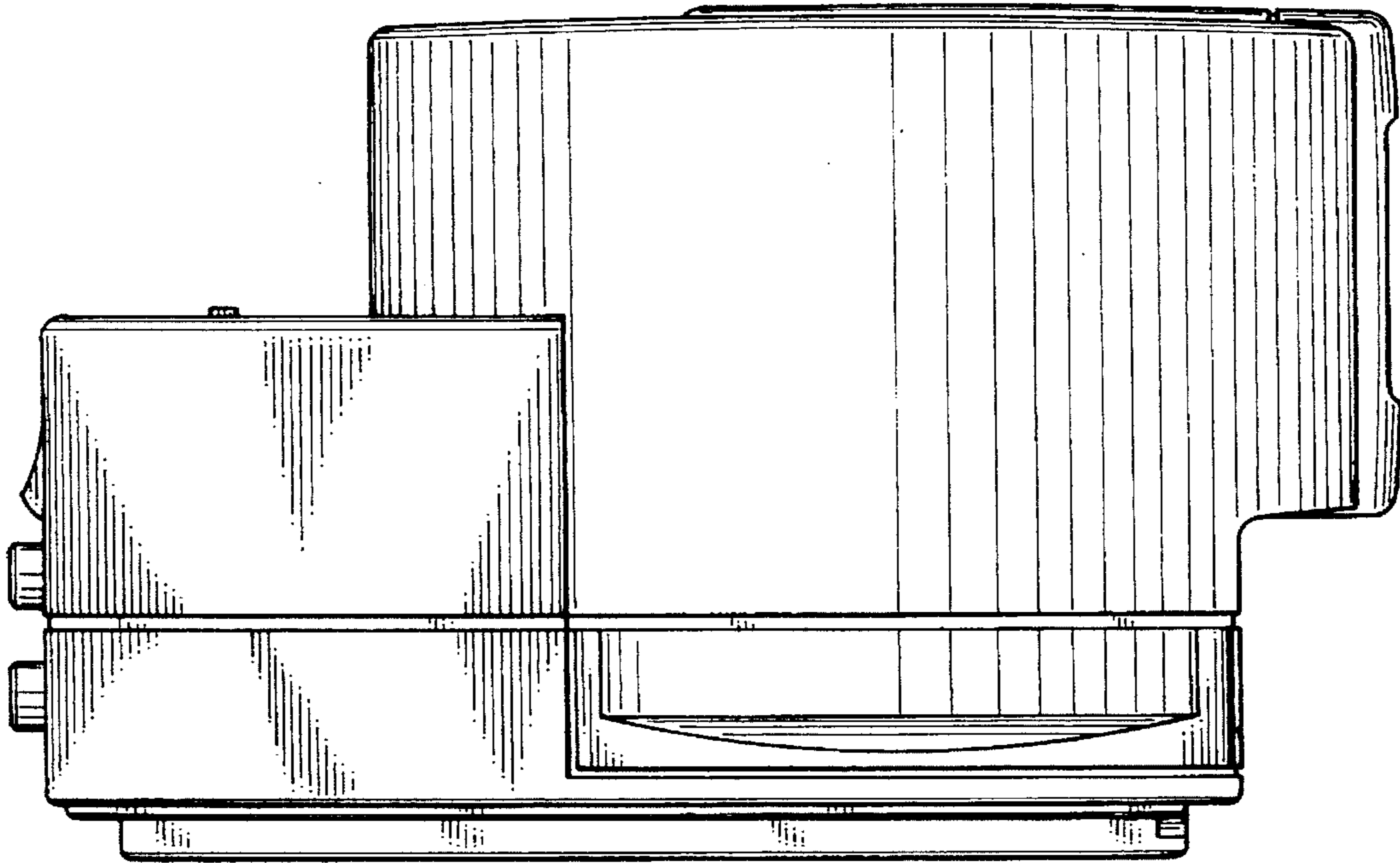
*Fig. 2*



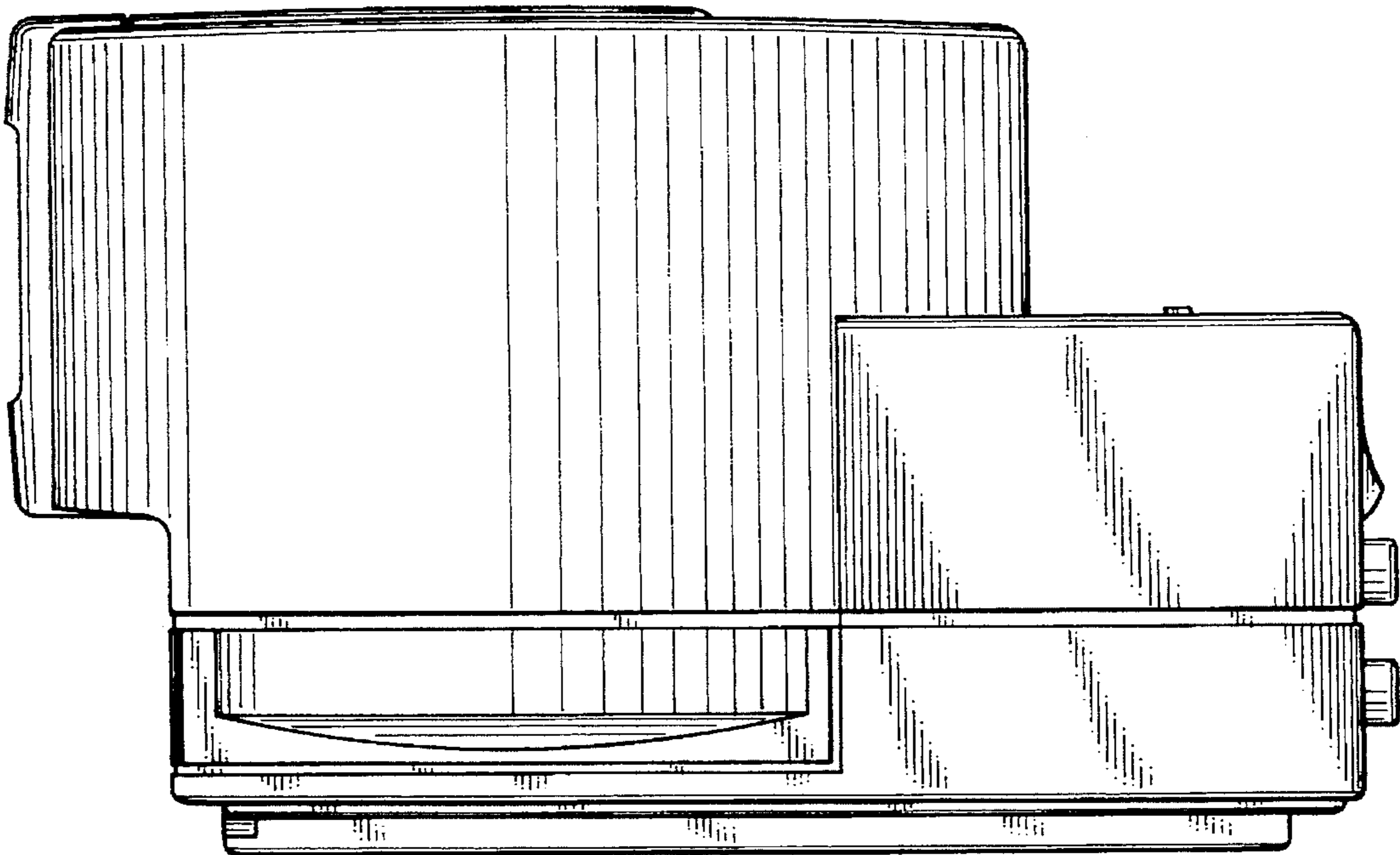
*Fig. 3*



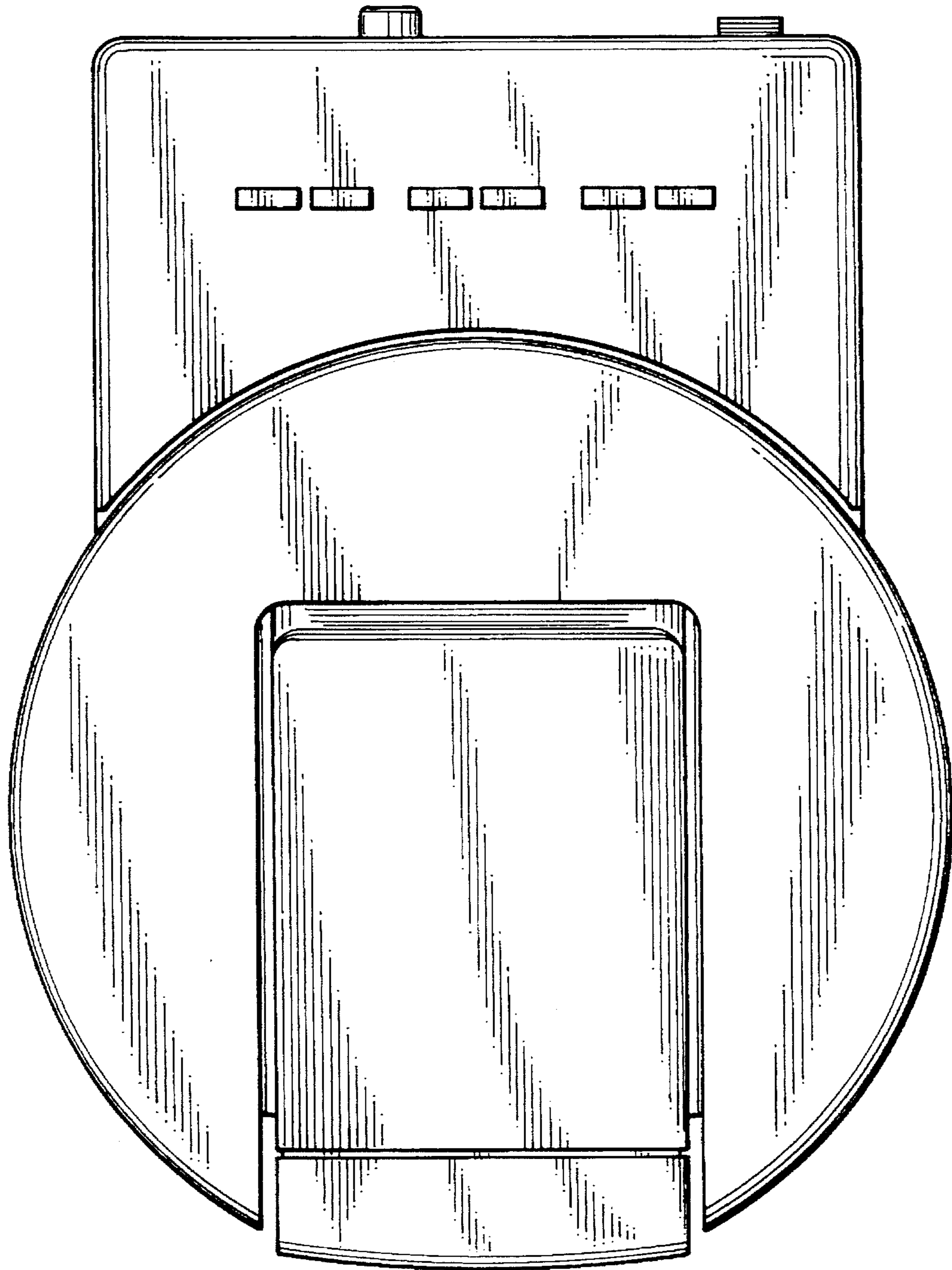
*Fig. 4*



*Fig. 5*



*Fig. 6*



*Fig. 7*

