



US00D364631S

United States Patent [19]
Hamamura

[11] **Patent Number: Des. 364,631**

[45] **Date of Patent: **Nov. 28, 1995**

[54] **BINOCULARS**

[75] Inventor: **Toshihiro Hamamura**, Tokyo, Japan

[73] Assignee: **Asahi Kogaku Kogyo Kabushiki Kaisha**, Tokyo, Japan

[**] Term: **14 Years**

[21] Appl. No.: **23,907**

[22] Filed: **Jun. 2, 1994**

[30] **Foreign Application Priority Data**

Dec. 2, 1993 [JP] Japan 5-36531

[52] **U.S. Cl.** **D16/133**

[58]. **Field of Search** D16/133; 359/407-419,
359/421, 422, 579, 554, 555, 556

[56] **References Cited**

U.S. PATENT DOCUMENTS

- D. 270,166 8/1983 Tomatsuri et al. D16/133
- D. 295,981 5/1988 Hilko D16/133
- D. 298,261 10/1988 Ogasawara D16/133

- D. 299,724 2/1989 Aoki D16/133
- D. 306,606 3/1990 Yamanaka et al. D16/133
- D. 353,388 12/1994 Matsushita D16/133

OTHER PUBLICATIONS

Cabelais 1992 Spring, p. 162, Pentax Compact Binoculars.

Primary Examiner—Doris V. Coles
Attorney, Agent, or Firm—Sughrue, Mion, Zinn, Macpeak & Seas

[57] **CLAIM**

The ornamental design for binoculars, as shown.

DESCRIPTION

FIG. 1 is a perspective view of the top, front and left side of binoculars showing my new design;
FIG. 2 is a rear elevational view thereof;
FIG. 3 is a front elevational view thereof;
FIG. 4 is a top plan view thereof;
FIG. 5 is a bottom plan view thereof;
FIG. 6 is a right side elevational view thereof; and,
FIG. 7 is a left side elevational view thereof.

1 Claim, 5 Drawing Sheets

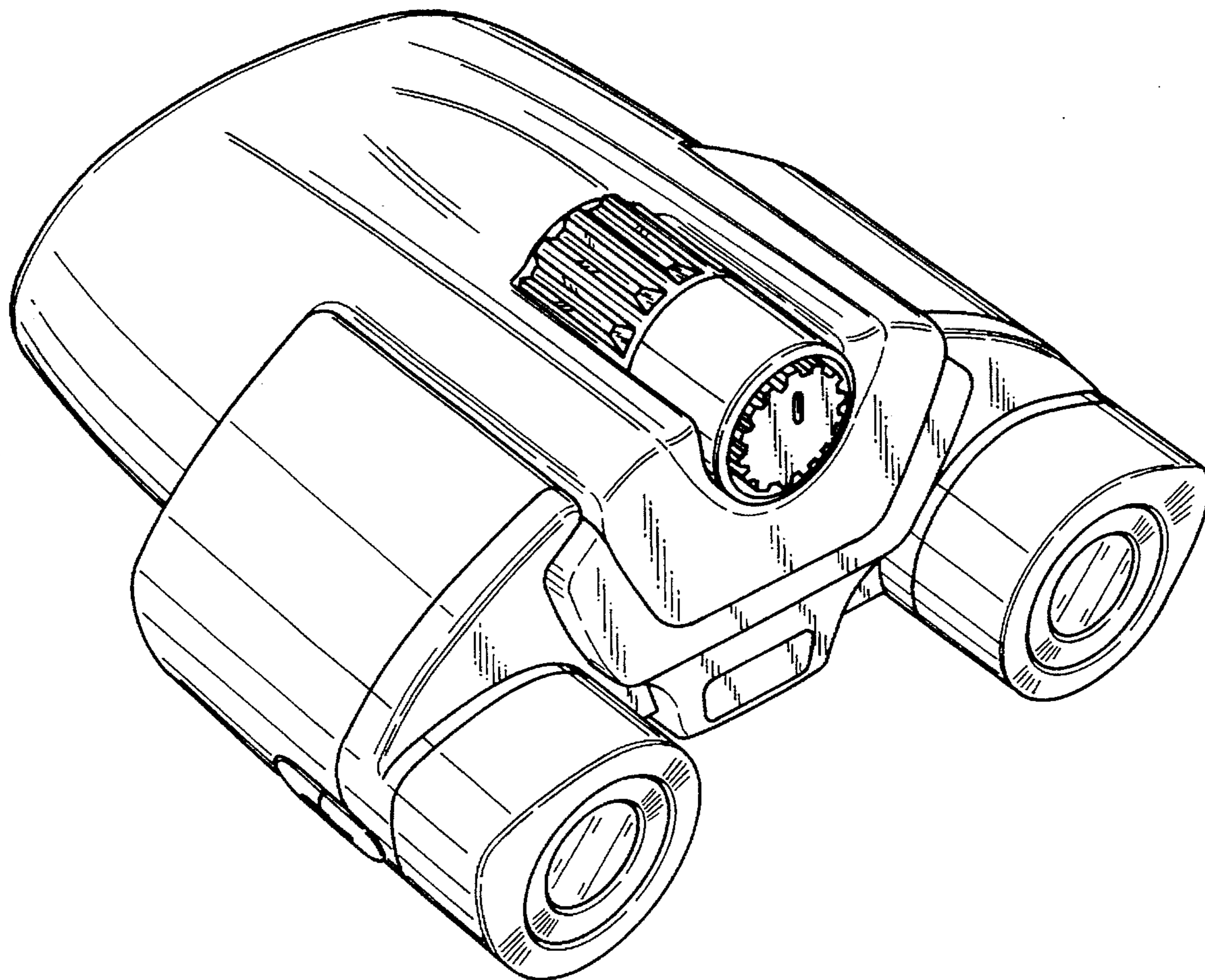


Fig. 1

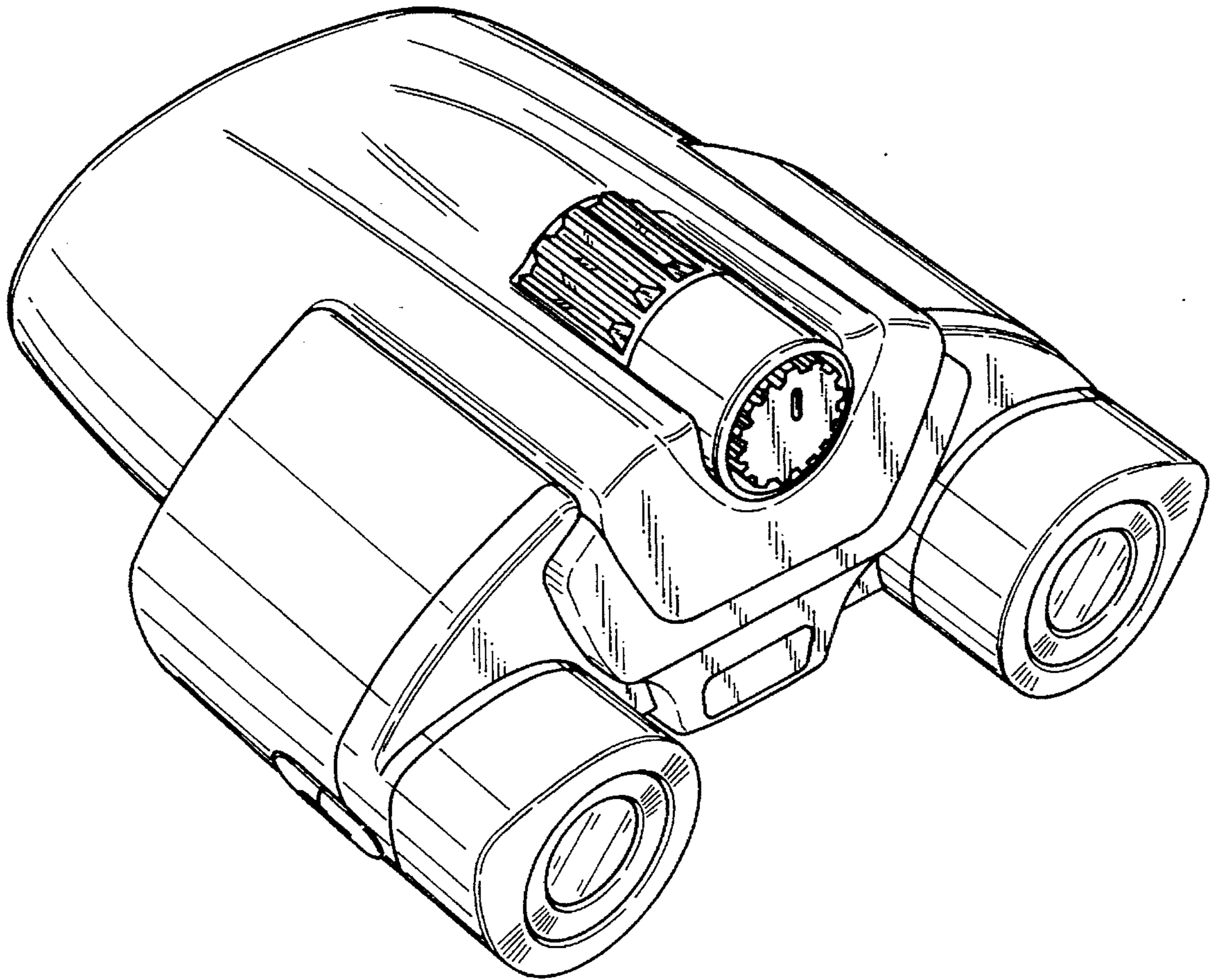


Fig. 2

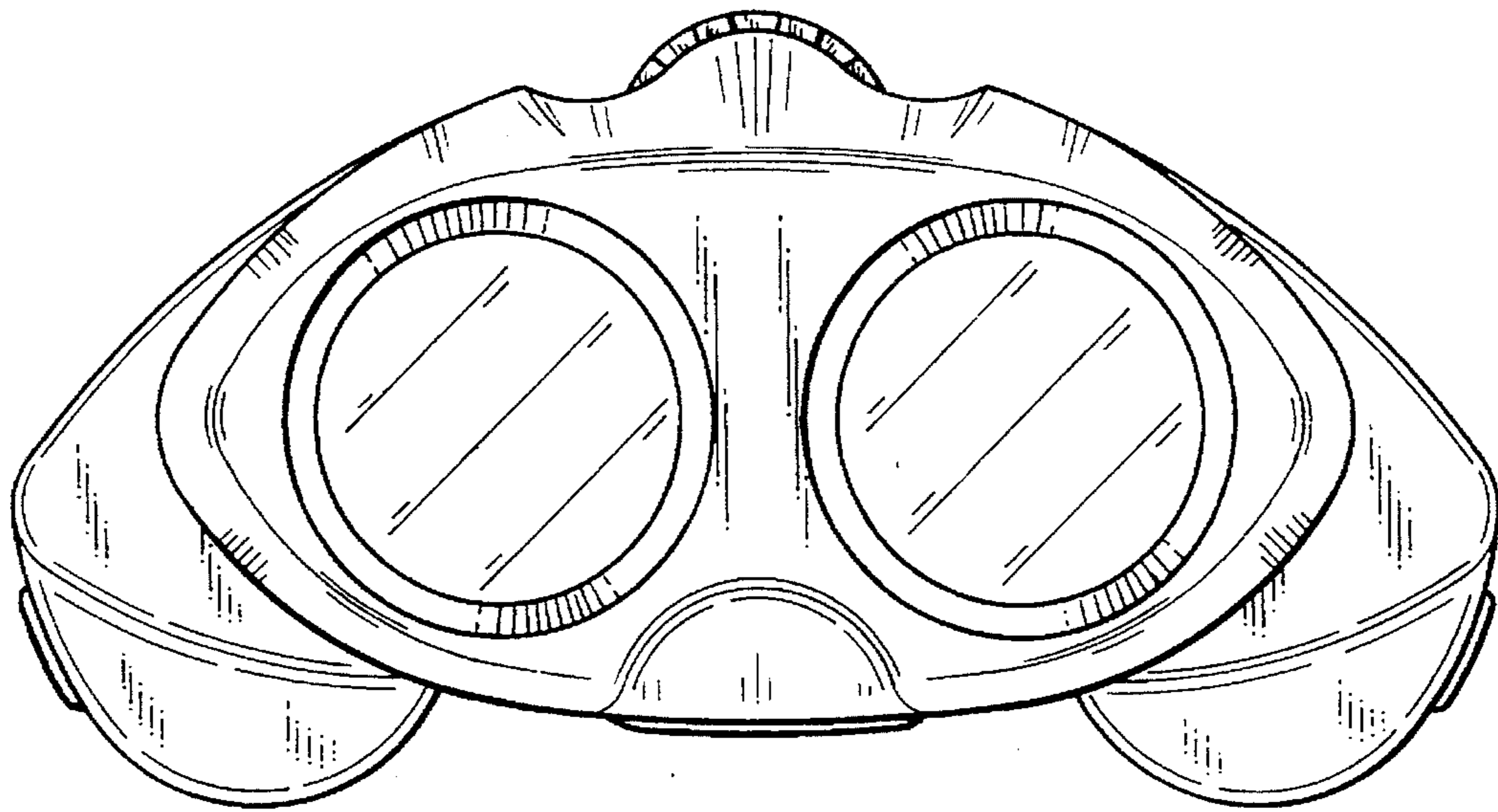


Fig. 3

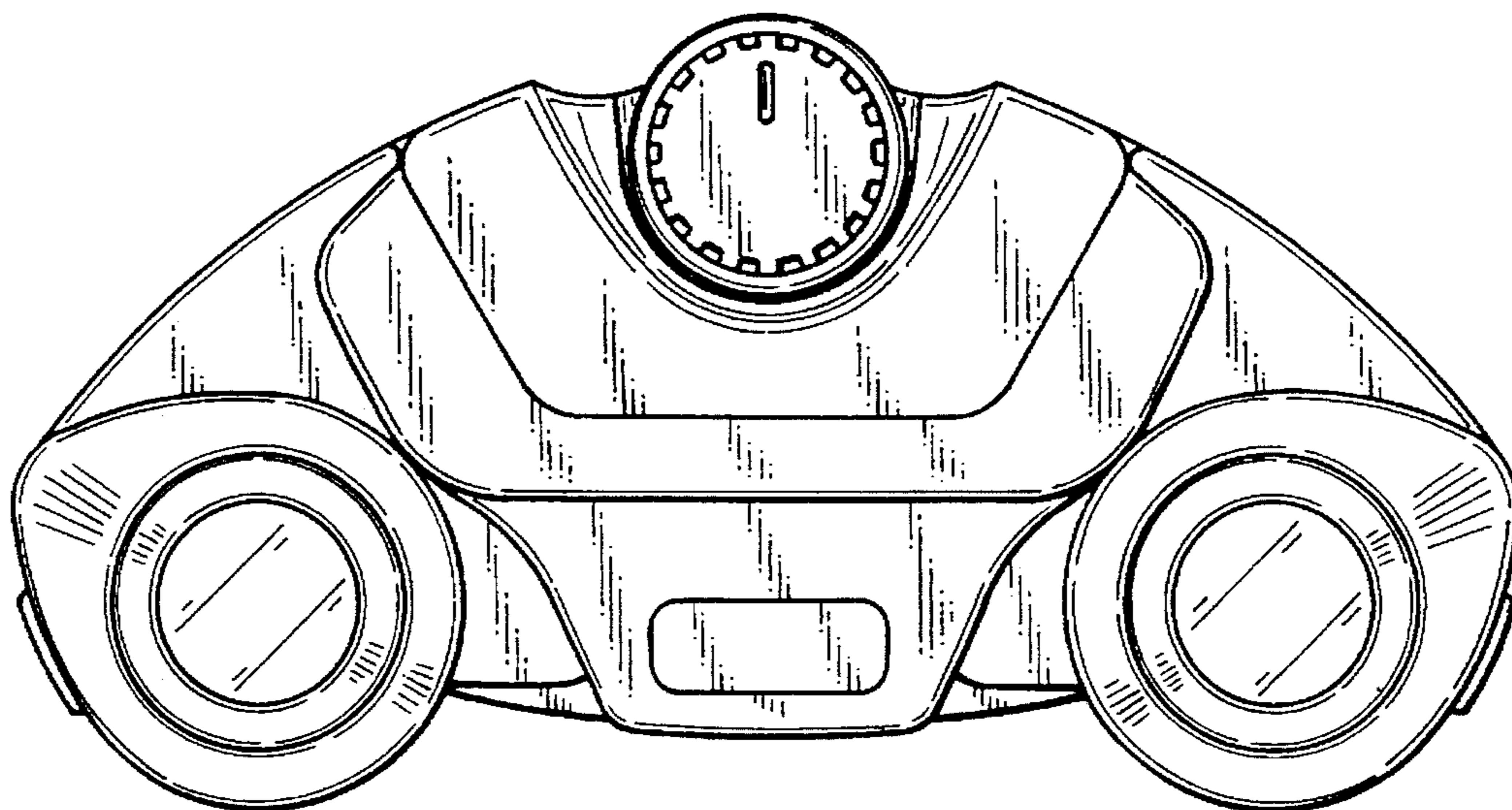


Fig. 4

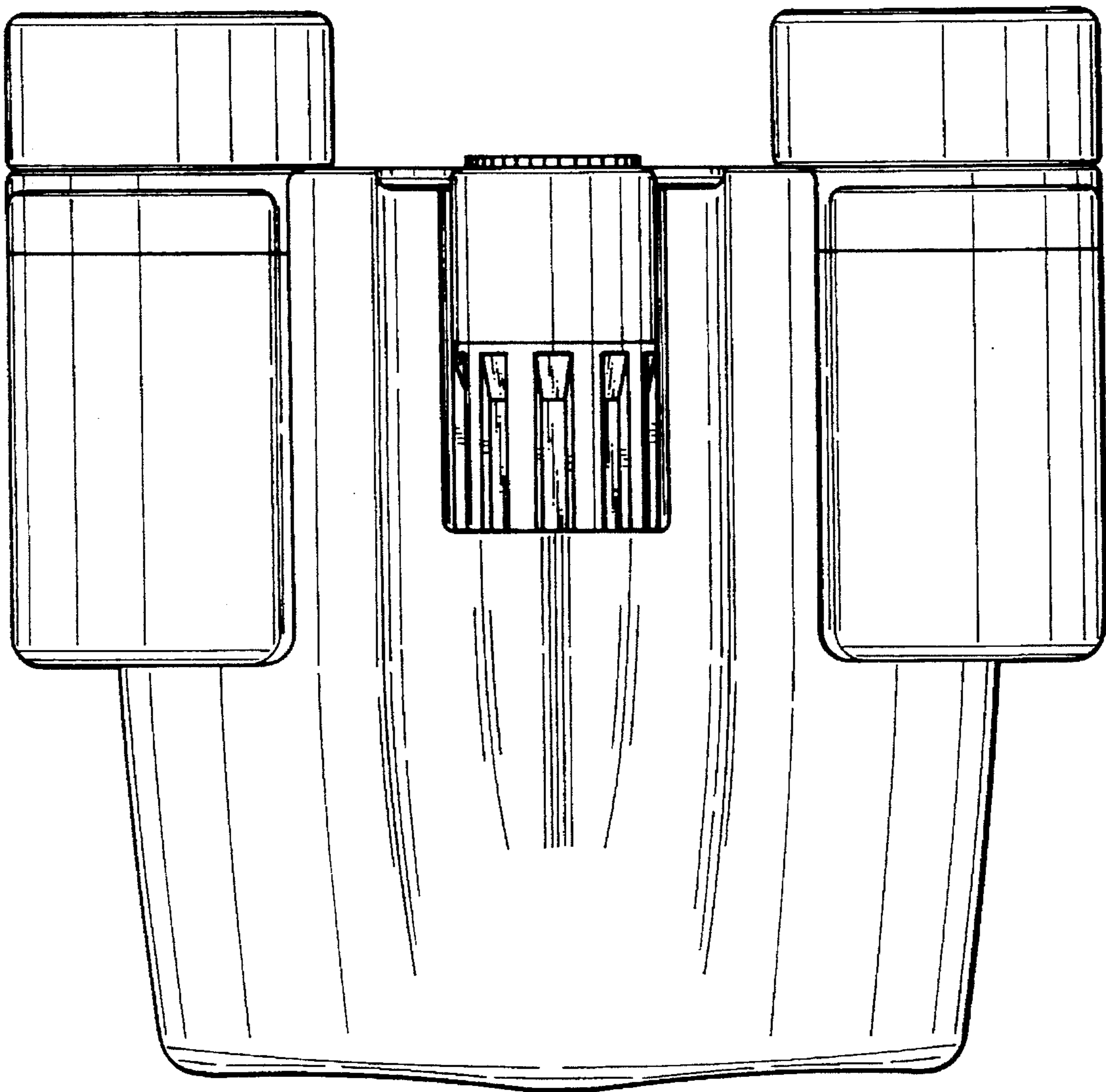


Fig. 5

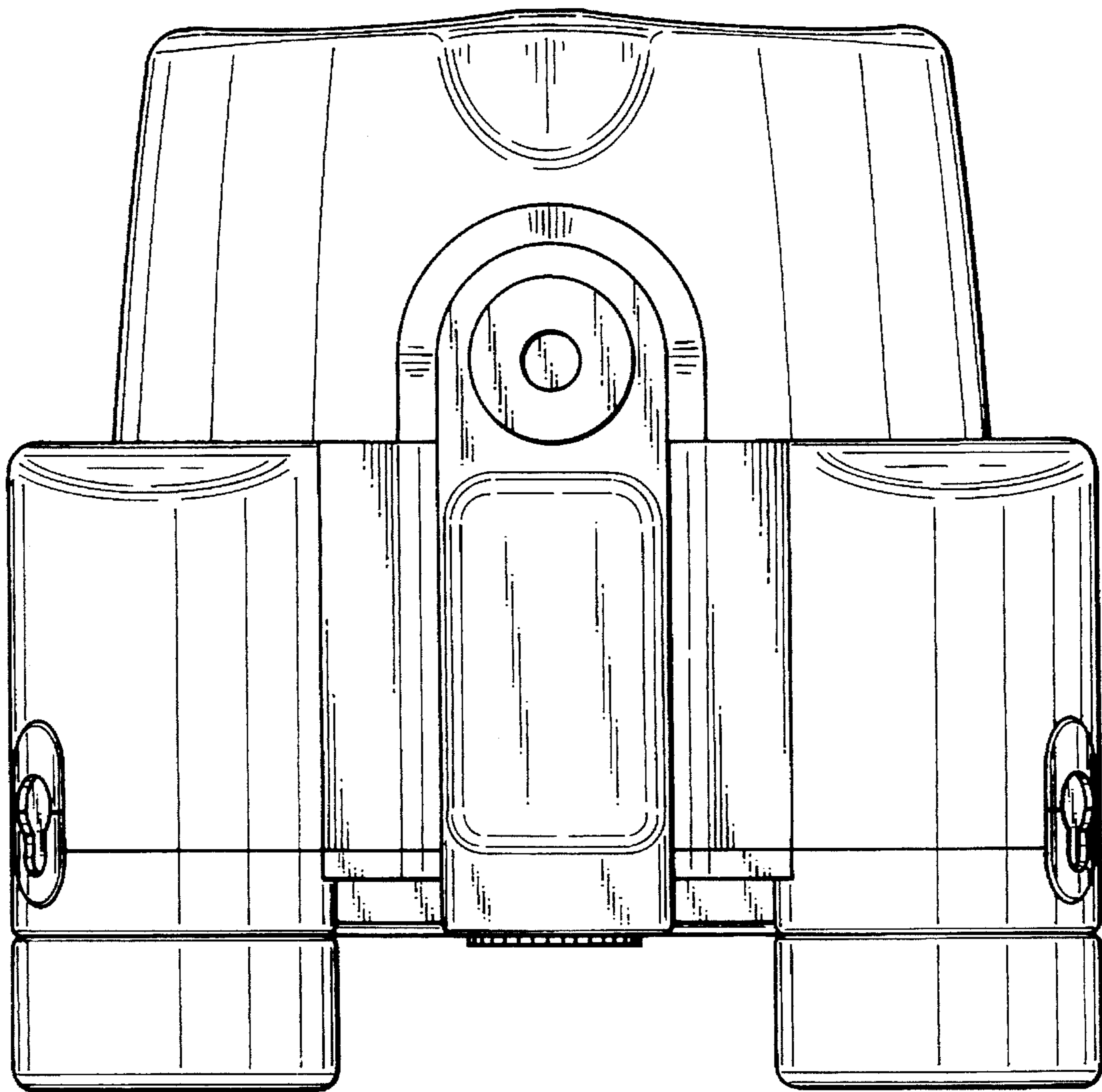


Fig. 6

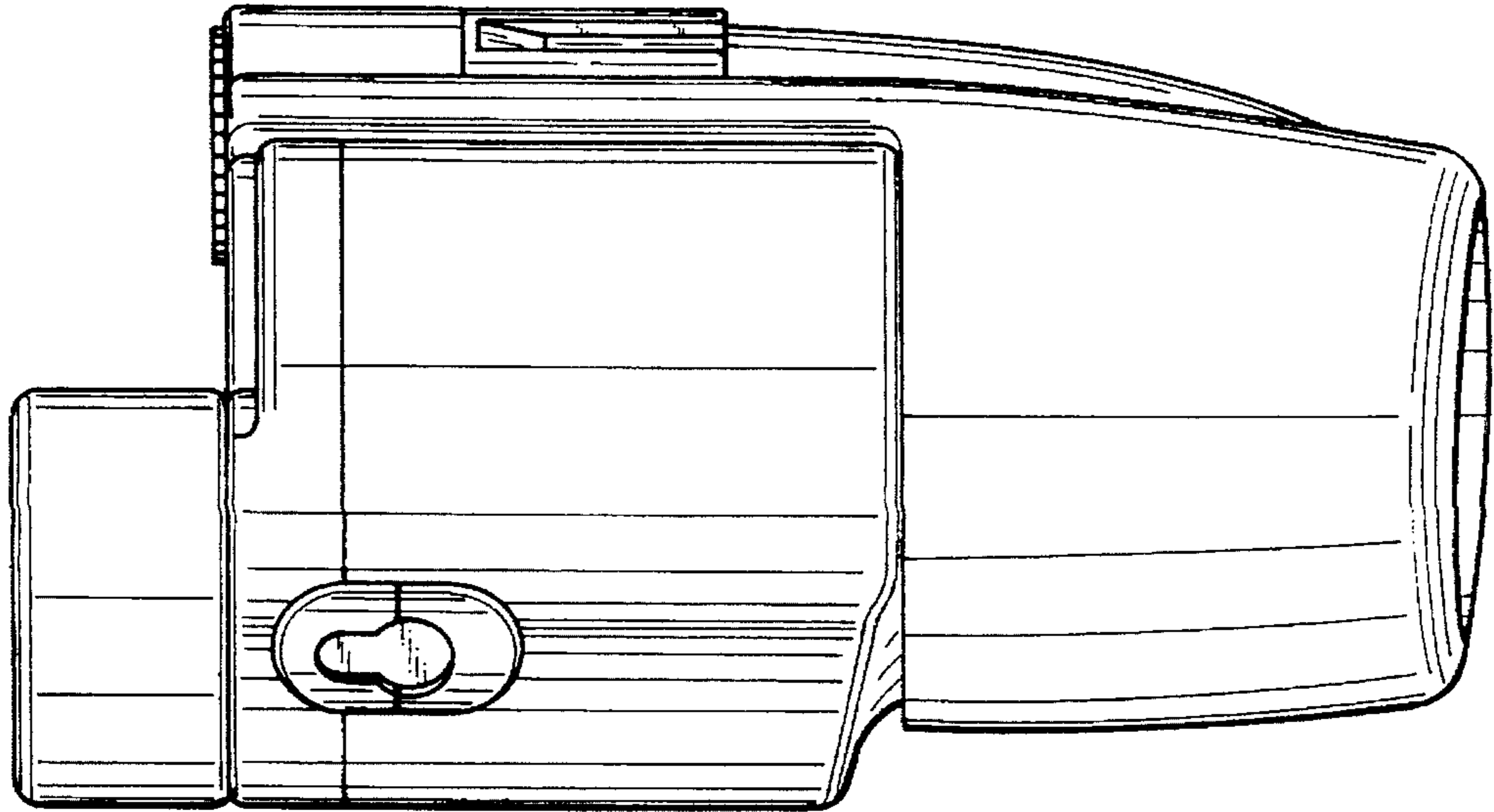


Fig. 7

