



US00D364629S

# United States Patent [19]

[11] Patent Number: **Des. 364,629**

Shaw et al.

[45] Date of Patent: **\*\*Nov. 28, 1995**

[54] **DRUM TOP DRAINFIELD FUNNEL**

[76] Inventors: **Mark D. Shaw**, 9820 Preston Trail, Pointe Vedra Beach, Fla. 32082; **J. Tad Heyman**, 11858 Olde Oaks Ct. N., Jacksonville, Fla. 32223; **Laurence M. Bierce**, 105 Sandra Rd., Jacksonville, Fla. 32211; **Jesse Ehredt**, 1711 Duffton Ln., Painesville, Ohio 44077

4,974,647	12/1990	Easton	141/333 X
5,018,559	5/1991	Branan	141/333 X
5,117,878	6/1992	Shaw et al.	141/333
5,172,739	12/1992	Ristroph	141/340 X
5,184,751	2/1993	Middleton	141/334 X
5,291,921	3/1994	Devine	141/332 X

*Primary Examiner*—Antoine Duval Davis  
*Attorney, Agent, or Firm*—Thomas C. Saitta

[\*\*] Term: **14 Years**

[21] Appl. No.: **25,634**

[22] Filed: **Jul. 7, 1994**

[52] U.S. Cl. .... **D15/150**

[58] **Field of Search** ..... D7/700; D15/150-152; D34/1, 39; 141/332-345; 220/288, 408, 571, 571.1, 572, 573; 383/33

[56] **References Cited**

**U.S. PATENT DOCUMENTS**

D. 337,774	7/1993	Schillinger	D15/150
D. 342,531	12/1993	Commander et al.	D15/150
D. 343,401	1/1994	Pollak et al.	D15/150

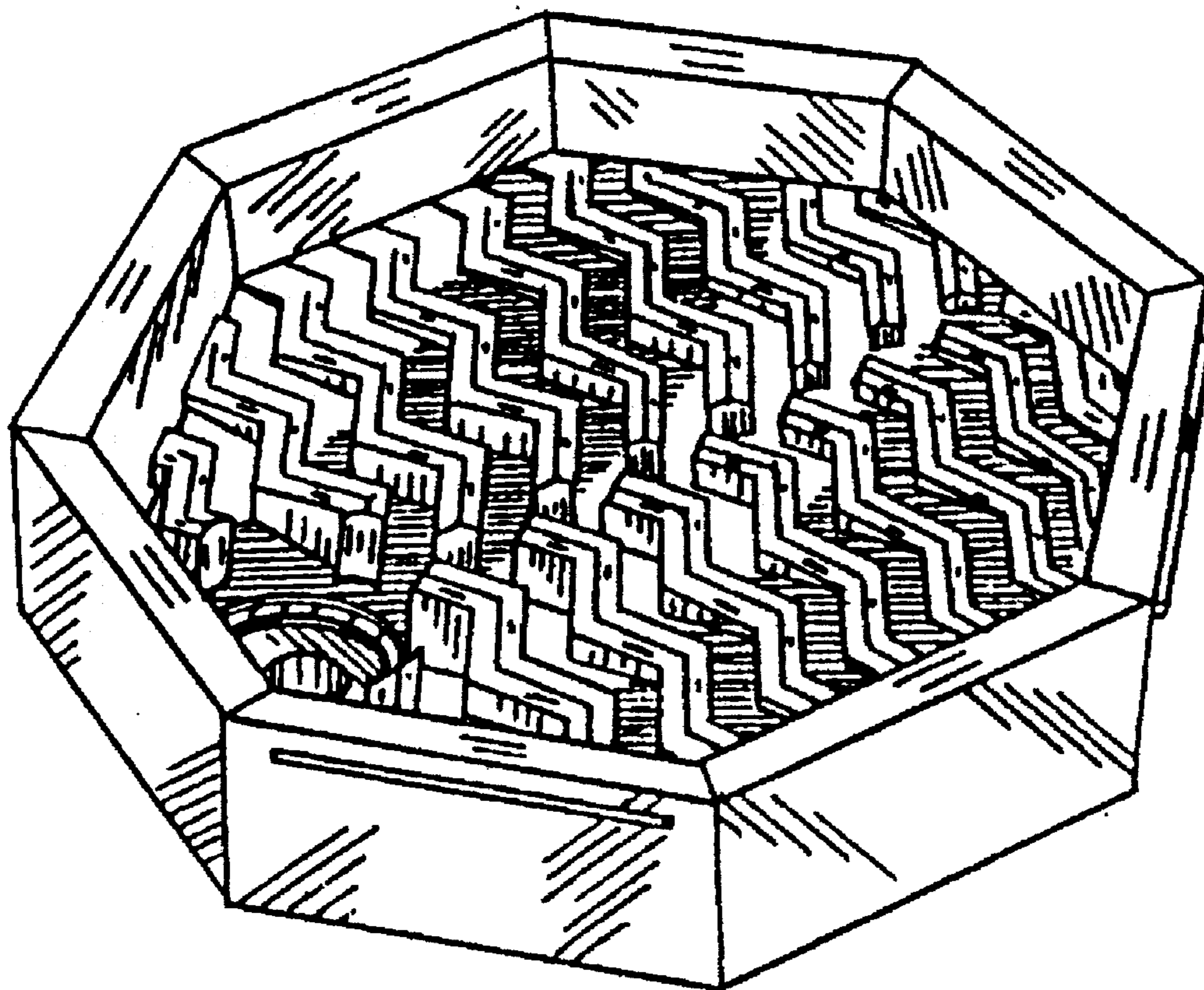
[57] **CLAIM**

The ornamental design for a drum top drainfield funnel, as shown and described.

**DESCRIPTION**

FIG. 1 is a perspective view of the design;  
FIG. 2 is a top view of the design;  
FIG. 3 is a bottom view of the design;  
FIG. 4 is a left side view of the design;  
FIG. 5 is a front view of the design, the rear view being identical;  
FIG. 6 is a right side view of the design; and,  
FIG. 7 is a perspective view of the bottom of the design.

**1 Claim, 2 Drawing Sheets**



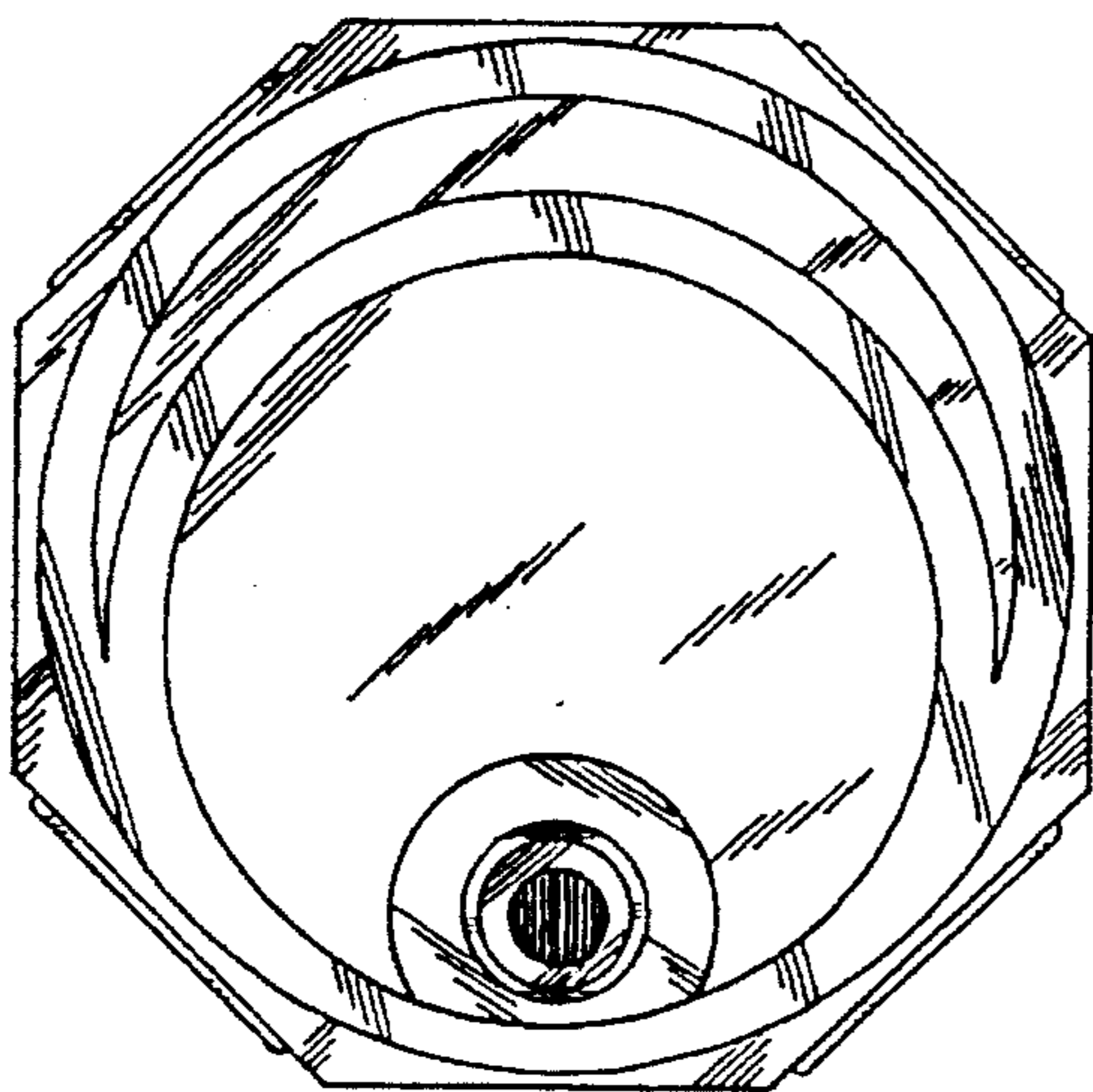
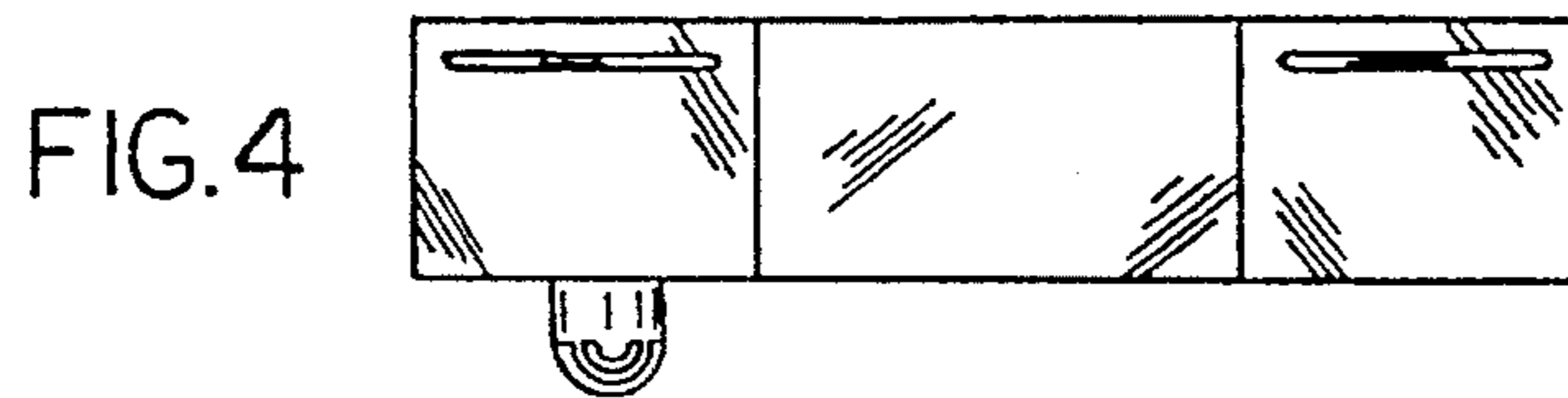
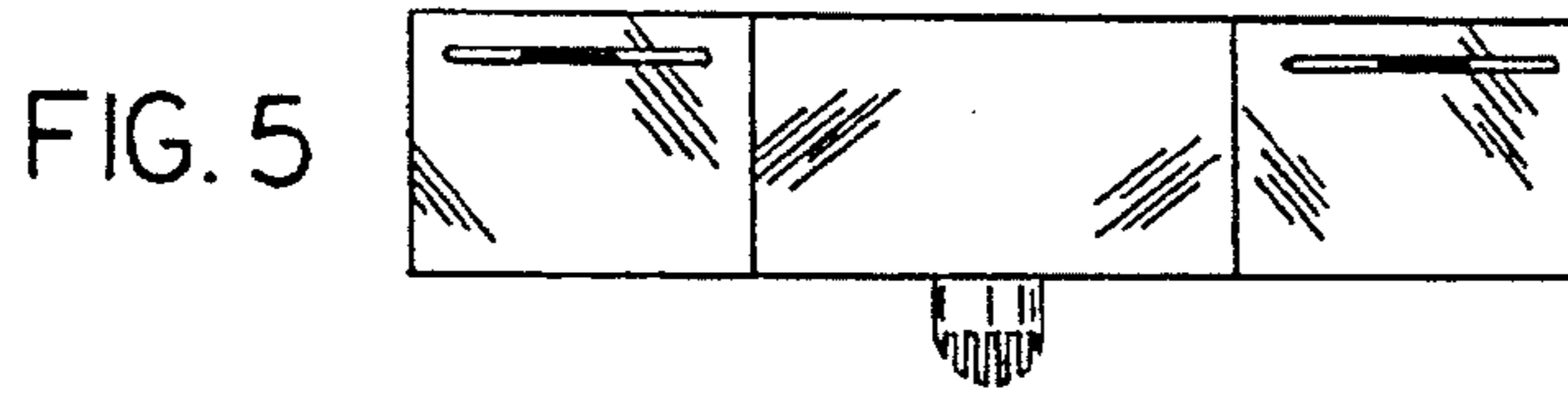
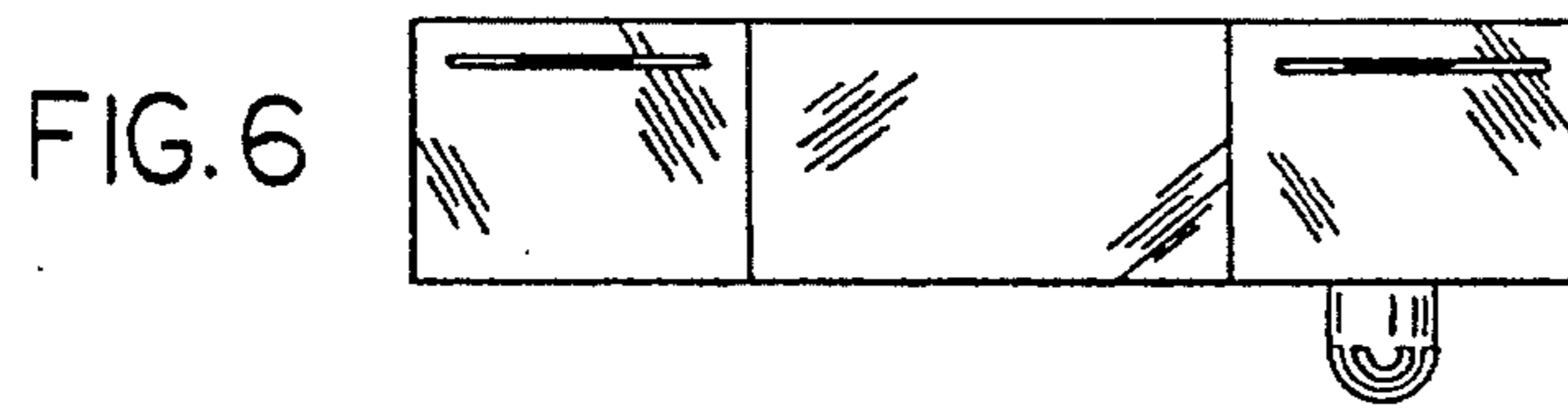


FIG. 3

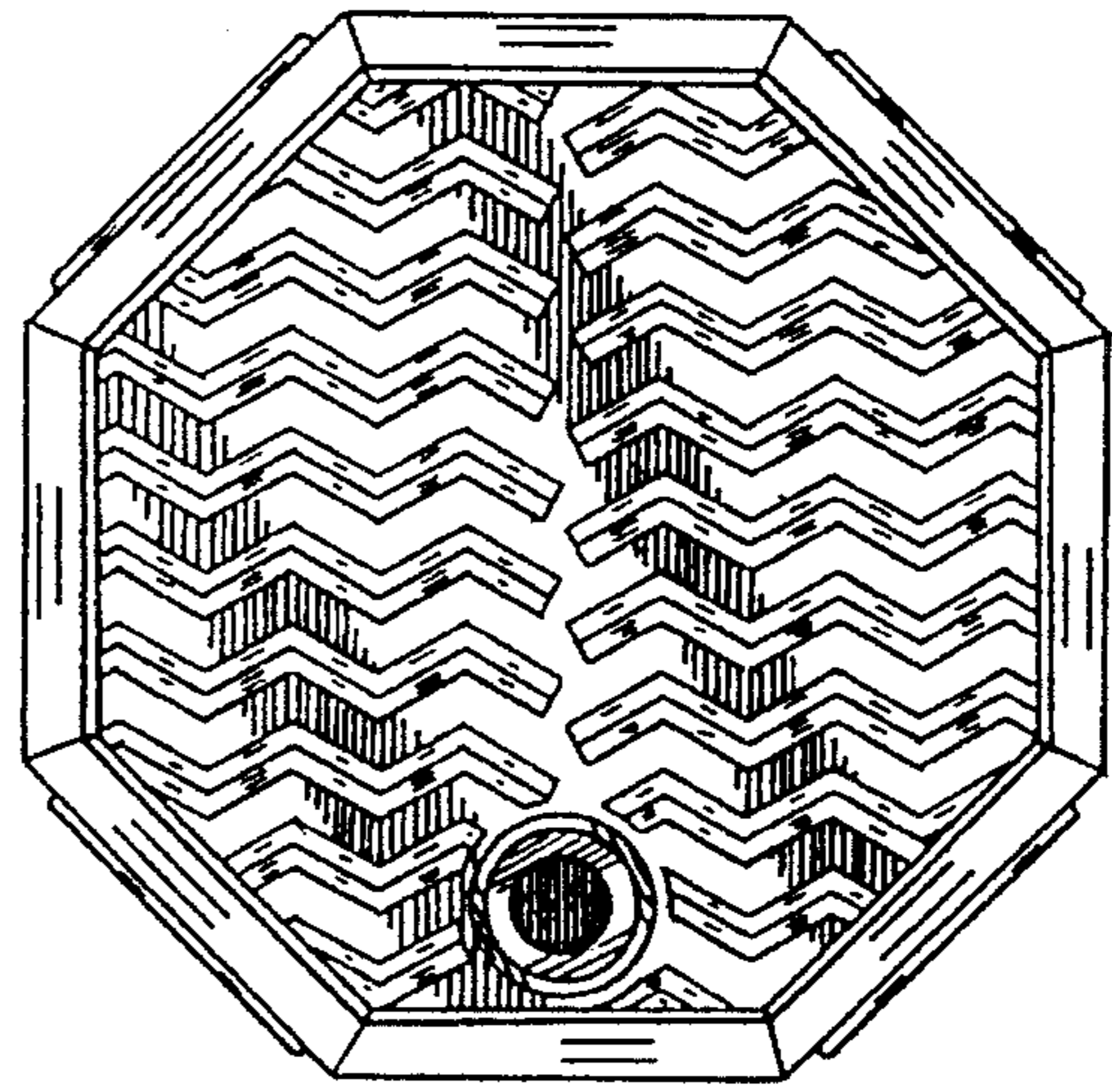


FIG. 2

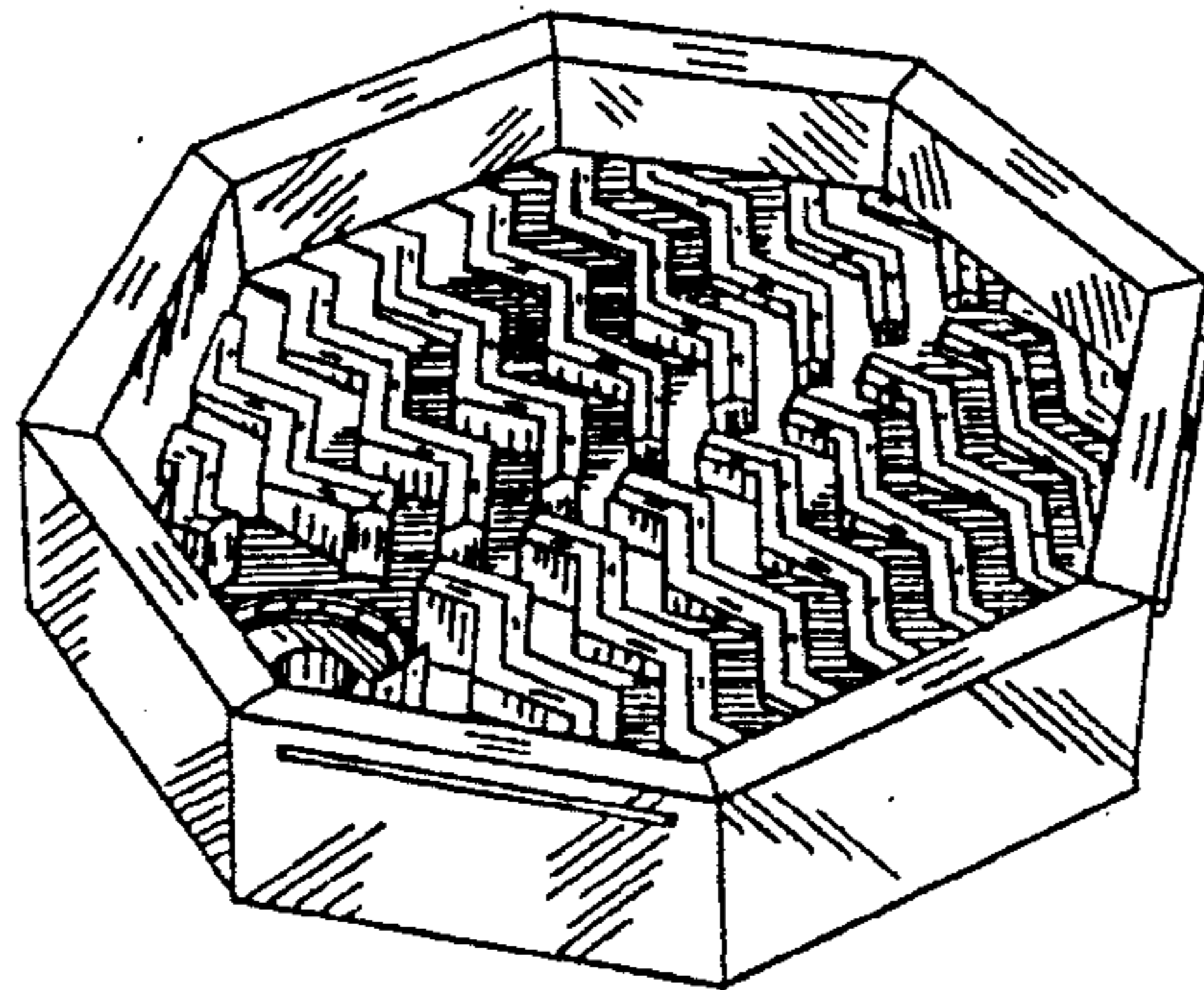


FIG. 1

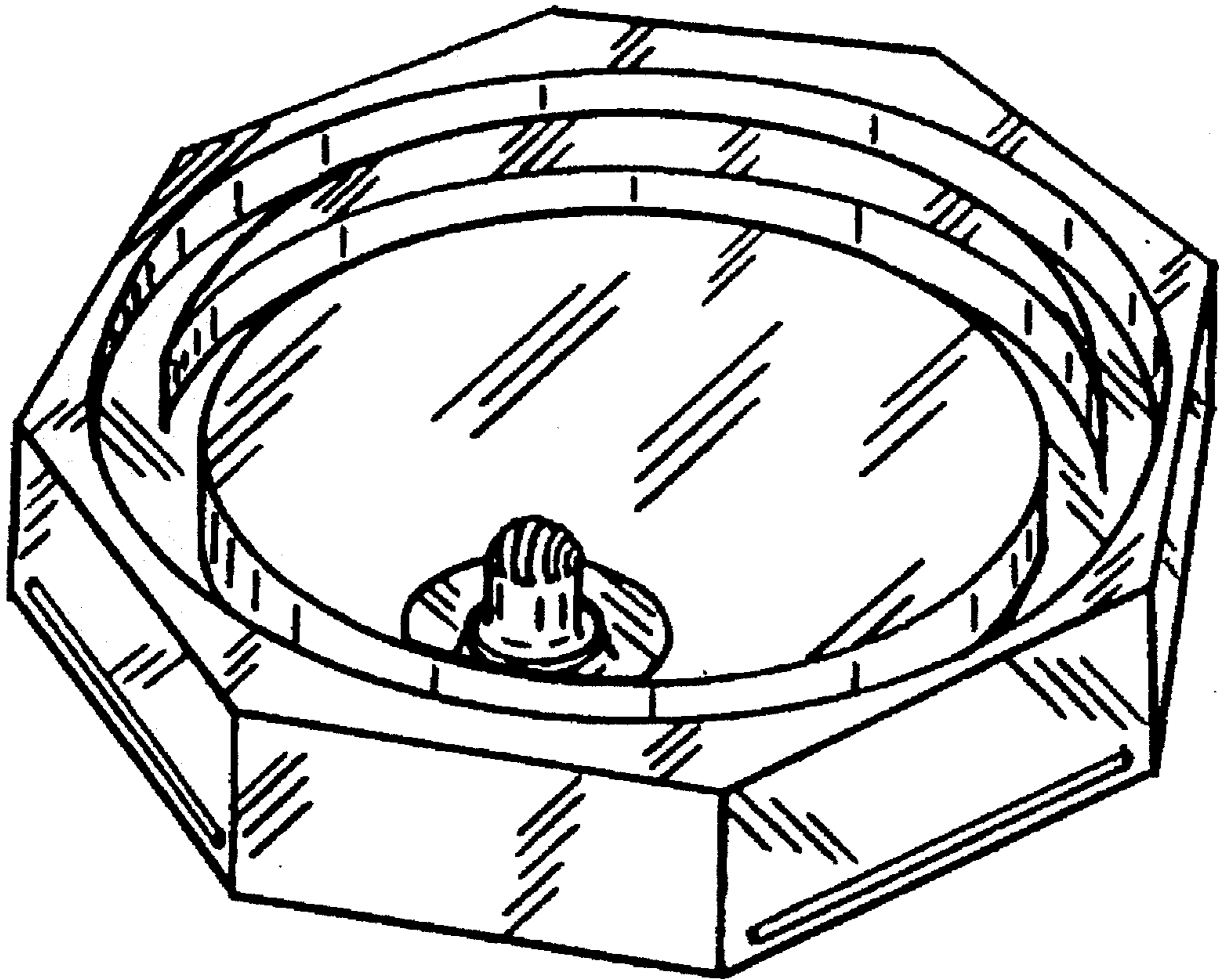


FIG. 7