



US00D364628S

United States Patent [19]

[11] Patent Number: **Des. 364,628**

Haller

[45] Date of Patent: ****Nov. 28, 1995**

[54] **INTAKE MANIFOLD**

[75] Inventor: **Fred T. Haller**, 7352 N. Lawndale, Skokie, Ill. 60076

[73] Assignee: **Fred T. Haller**, Skokie, Ill.

[**] Term: **14 Years**

[21] Appl. No.: **29,694**

[22] Filed: **Oct. 13, 1994**

[52] U.S. Cl. **D15/5**

[58] Field of Search D15/1-5; 123/52 M, 123/41.27, 41.73, 41.1

[56] **References Cited**

U.S. PATENT DOCUMENTS

- D. 267,952 2/1983 Martin D15/5
- D. 321,888 12/1991 Brotherton D15/5

OTHER PUBLICATIONS

Performance Automotive Wholesale, Inc. 1986 Catalog Item center of page 141.

Primary Examiner—Ralf Seifert
Attorney, Agent, or Firm—Hill, Steadman & Simpson

[57] **CLAIM**

The ornamental design for intake manifold, as shown.

DESCRIPTION

FIG. 1 is a perspective view of an intake manifold showing my new design;
 FIG. 2 is a front end view of the intake manifold of the present invention;
 FIG. 3 is a rear end view of the intake manifold of the present invention;
 FIG. 4 is a first side view of the intake manifold of the present invention;
 FIG. 5 is a second side view of the intake manifold of the present invention;
 FIG. 6 is a top plan view of the intake manifold of the present invention; and,
 FIG. 7 is a bottom plan view of the intake manifold of the present invention.

1 Claim, 6 Drawing Sheets

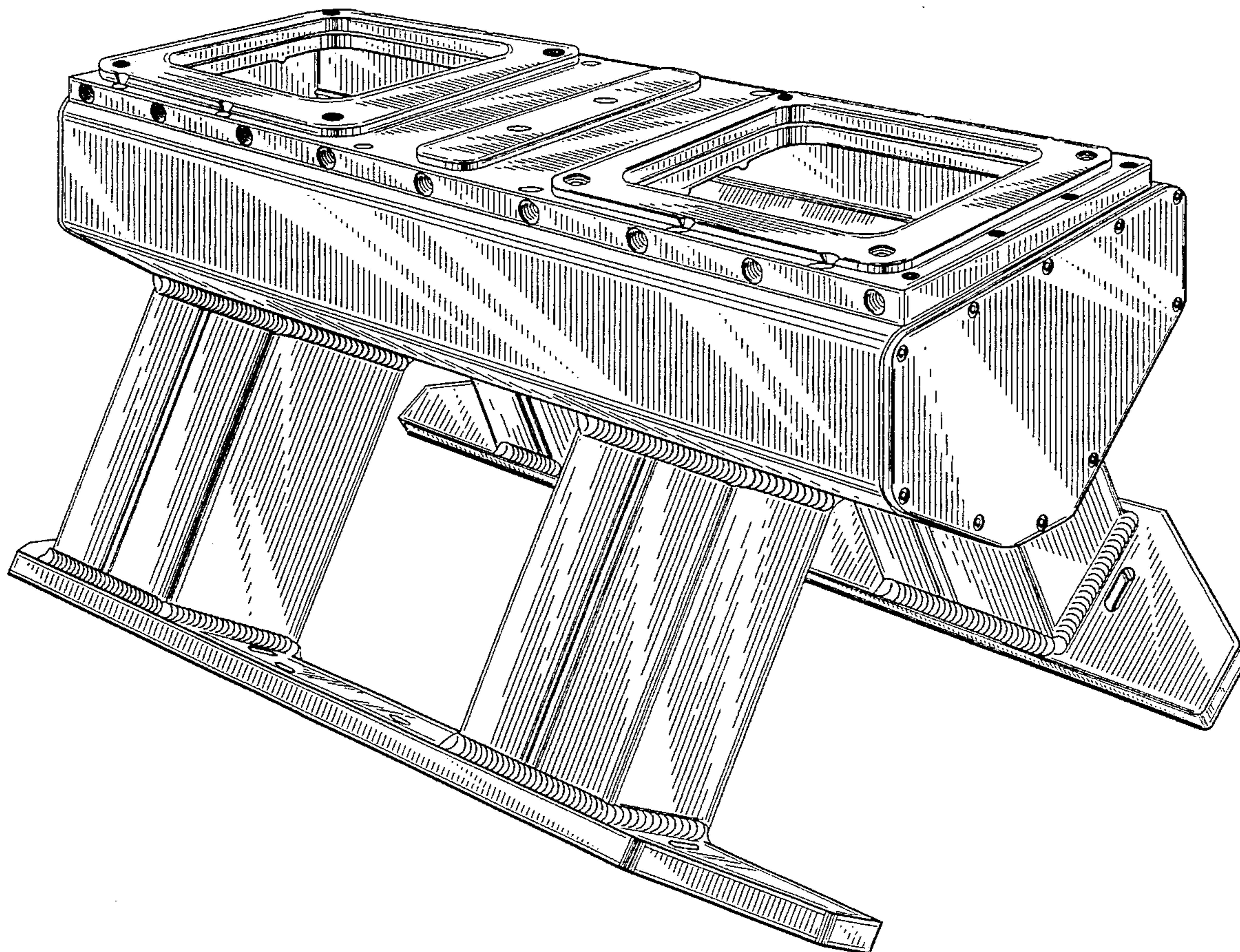


FIG. 1

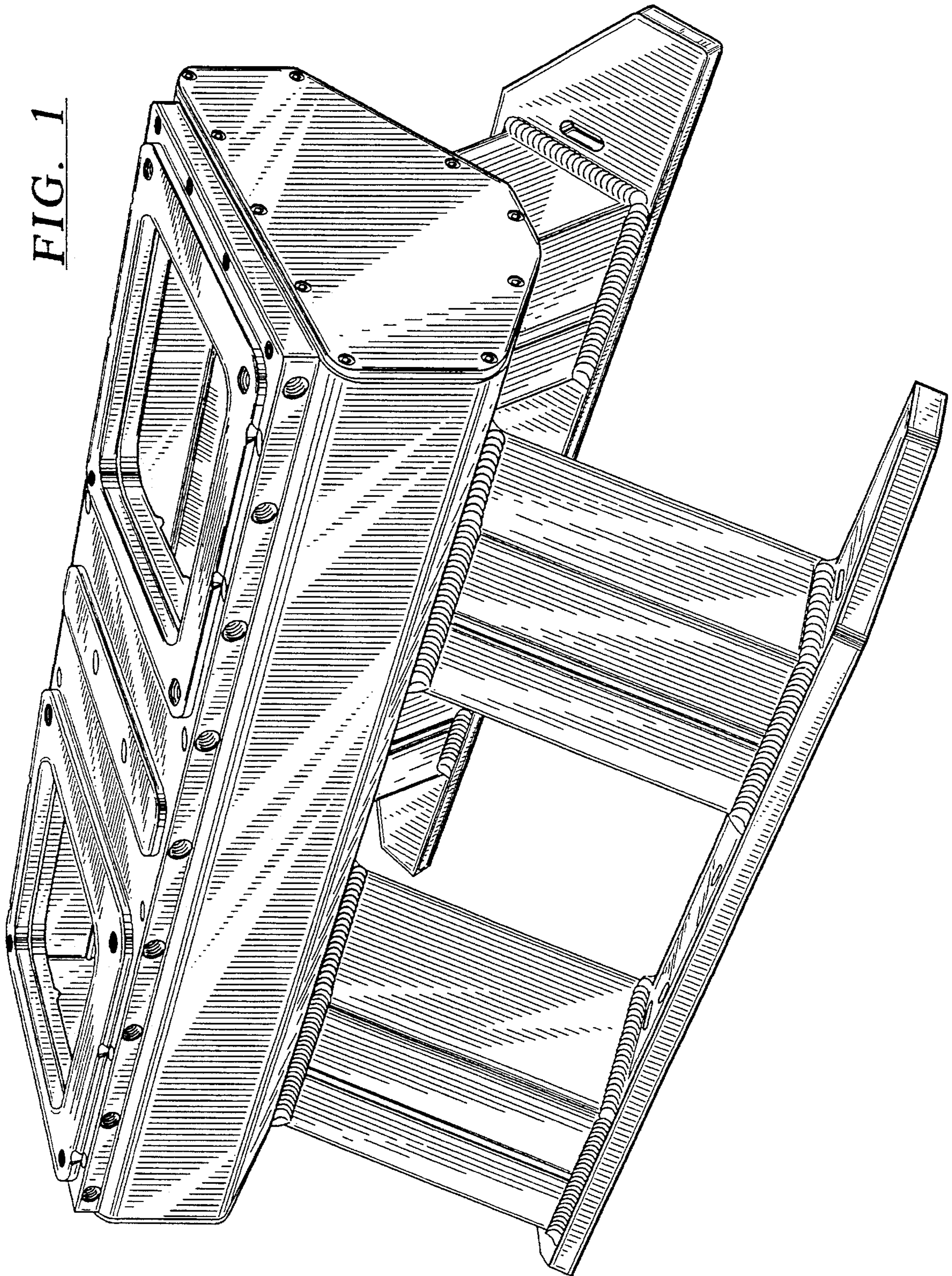


FIG. 2

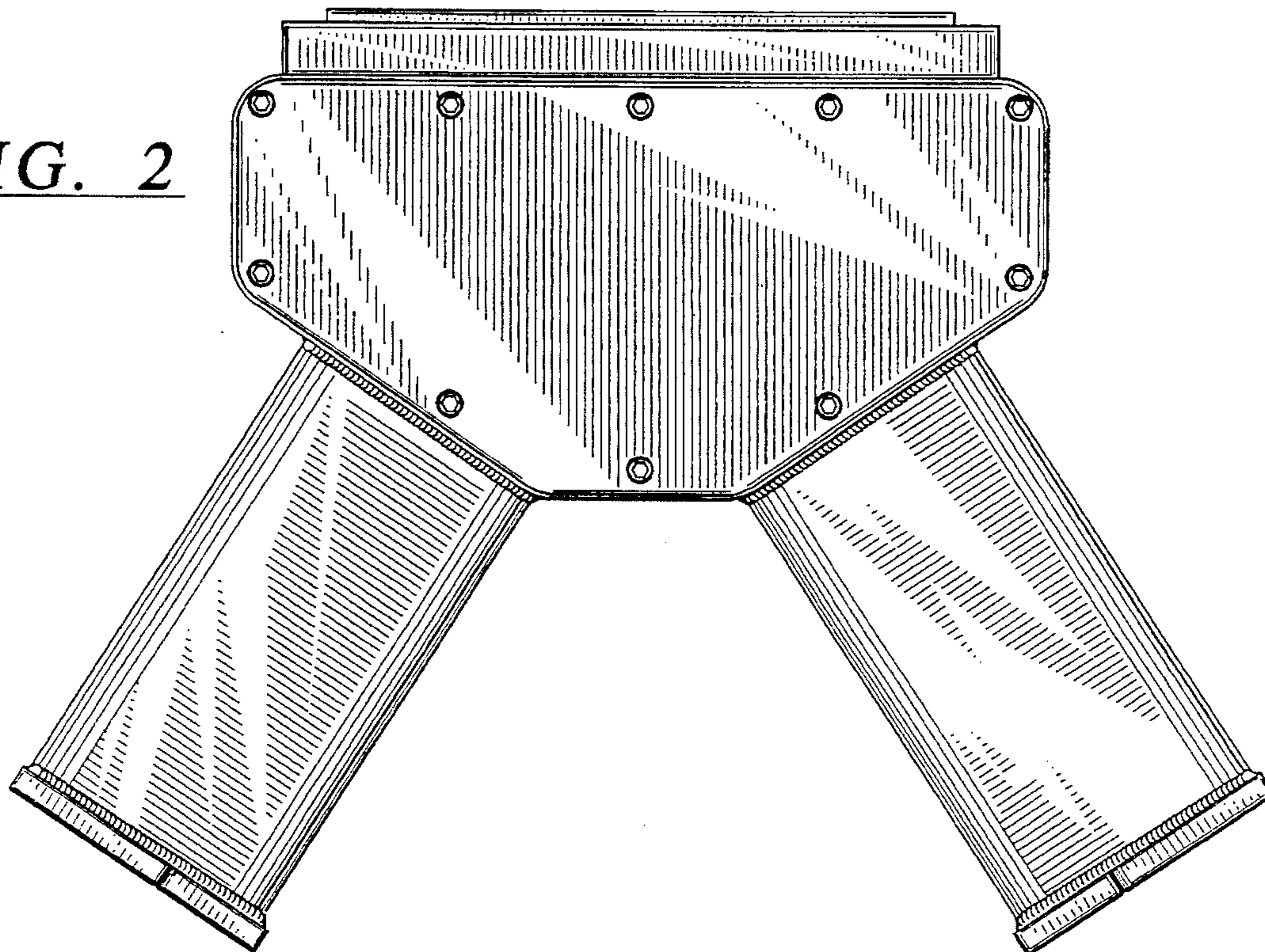


FIG. 3

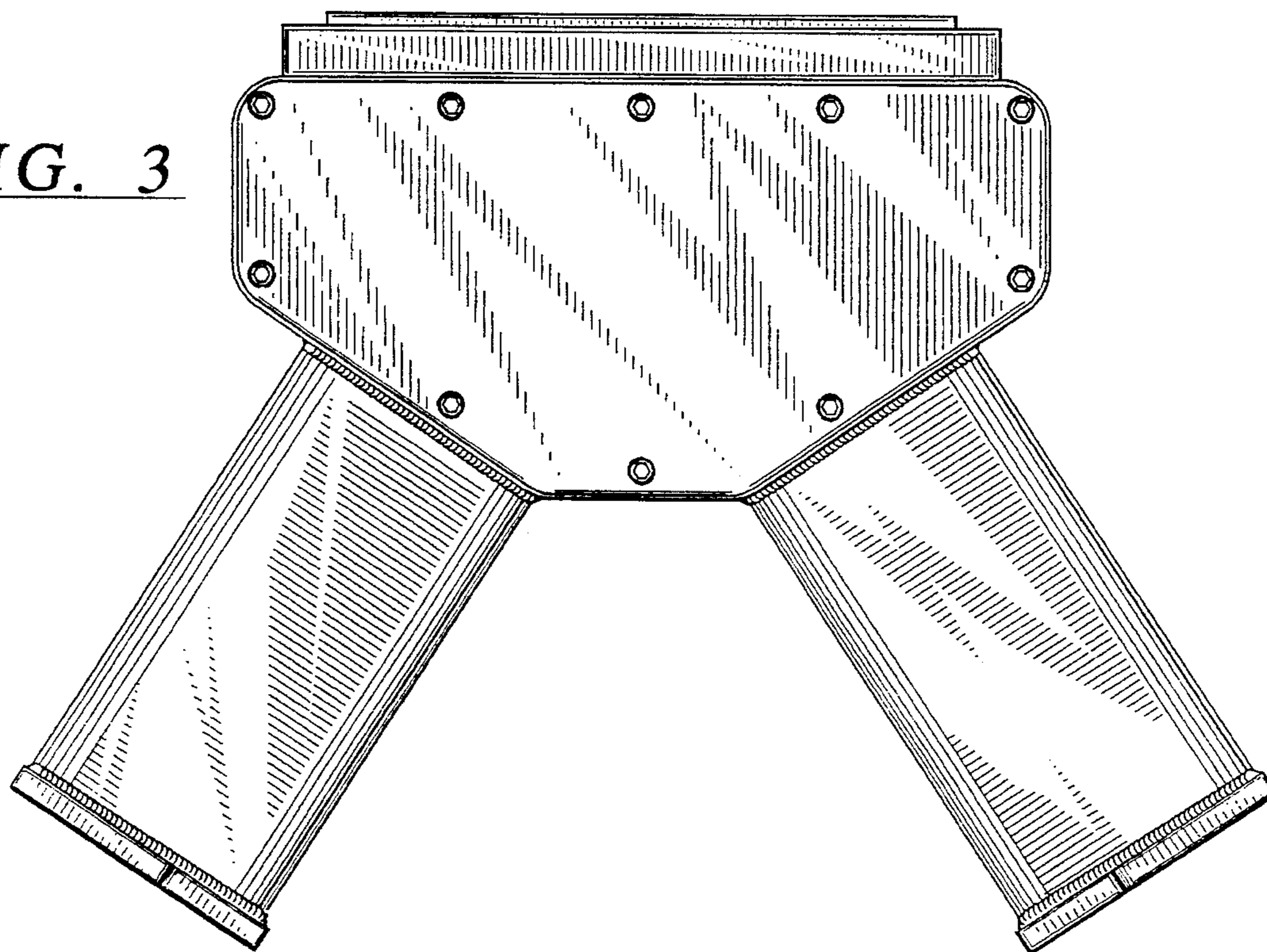


FIG. 4

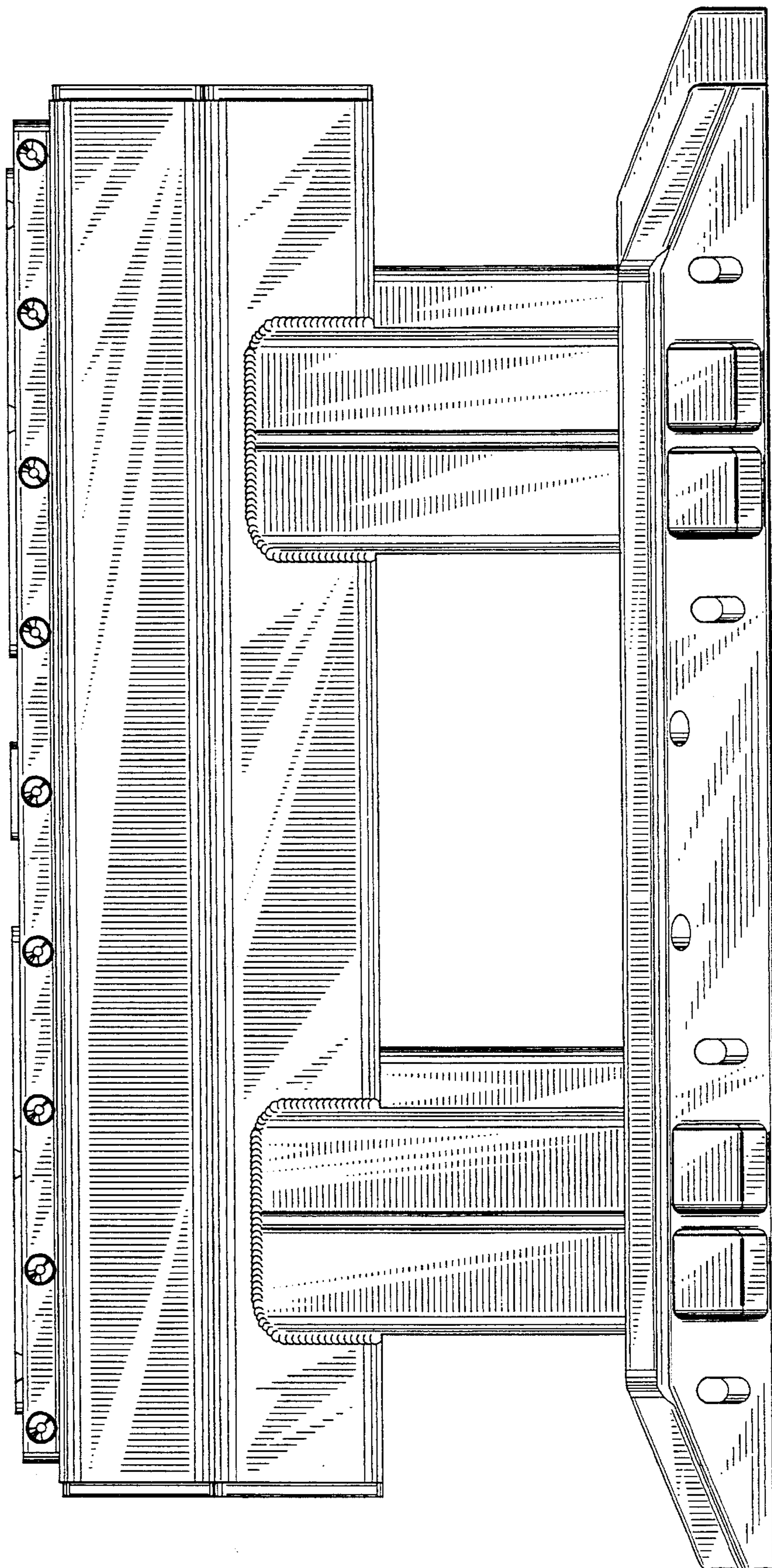


FIG. 5

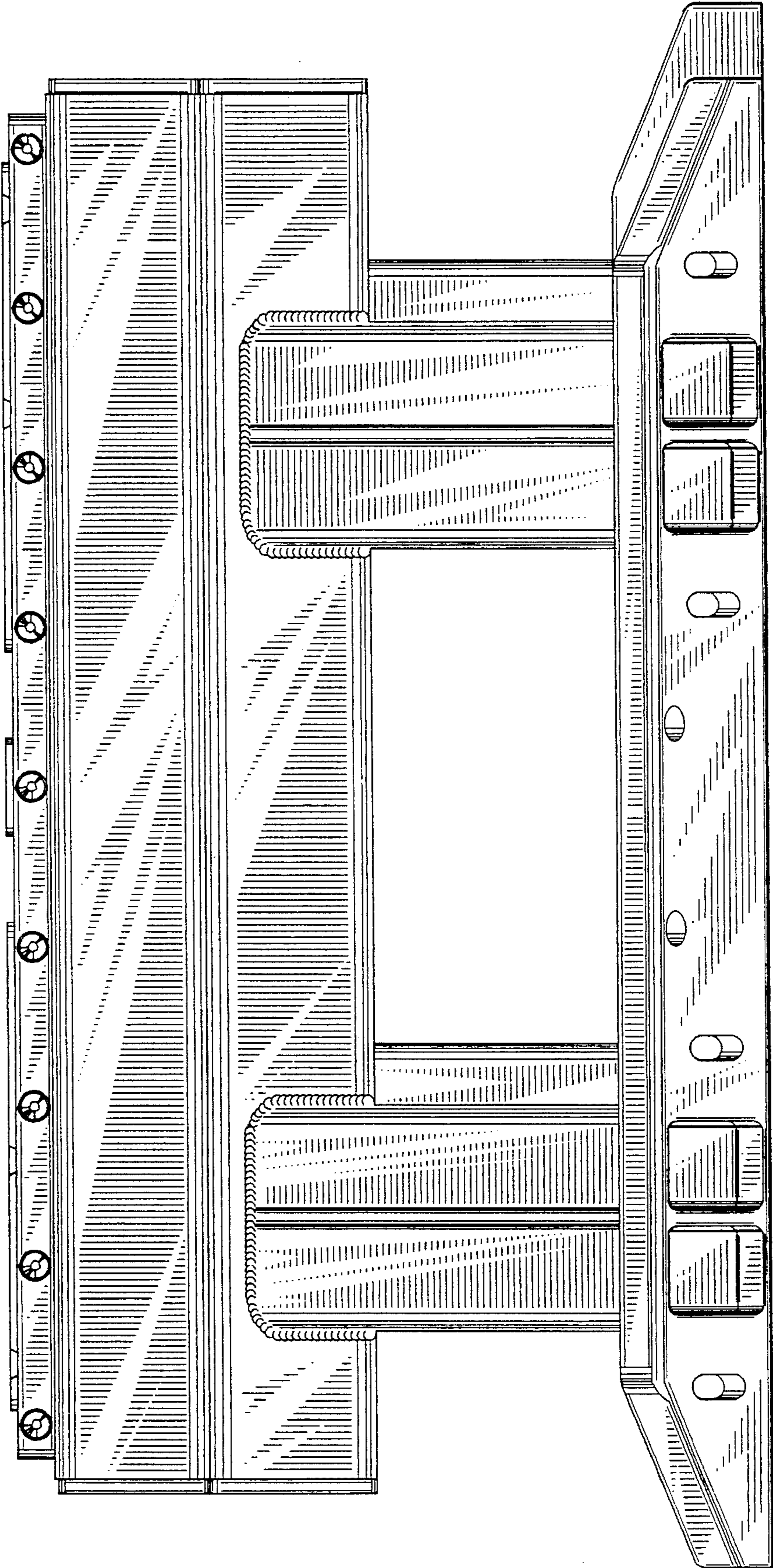
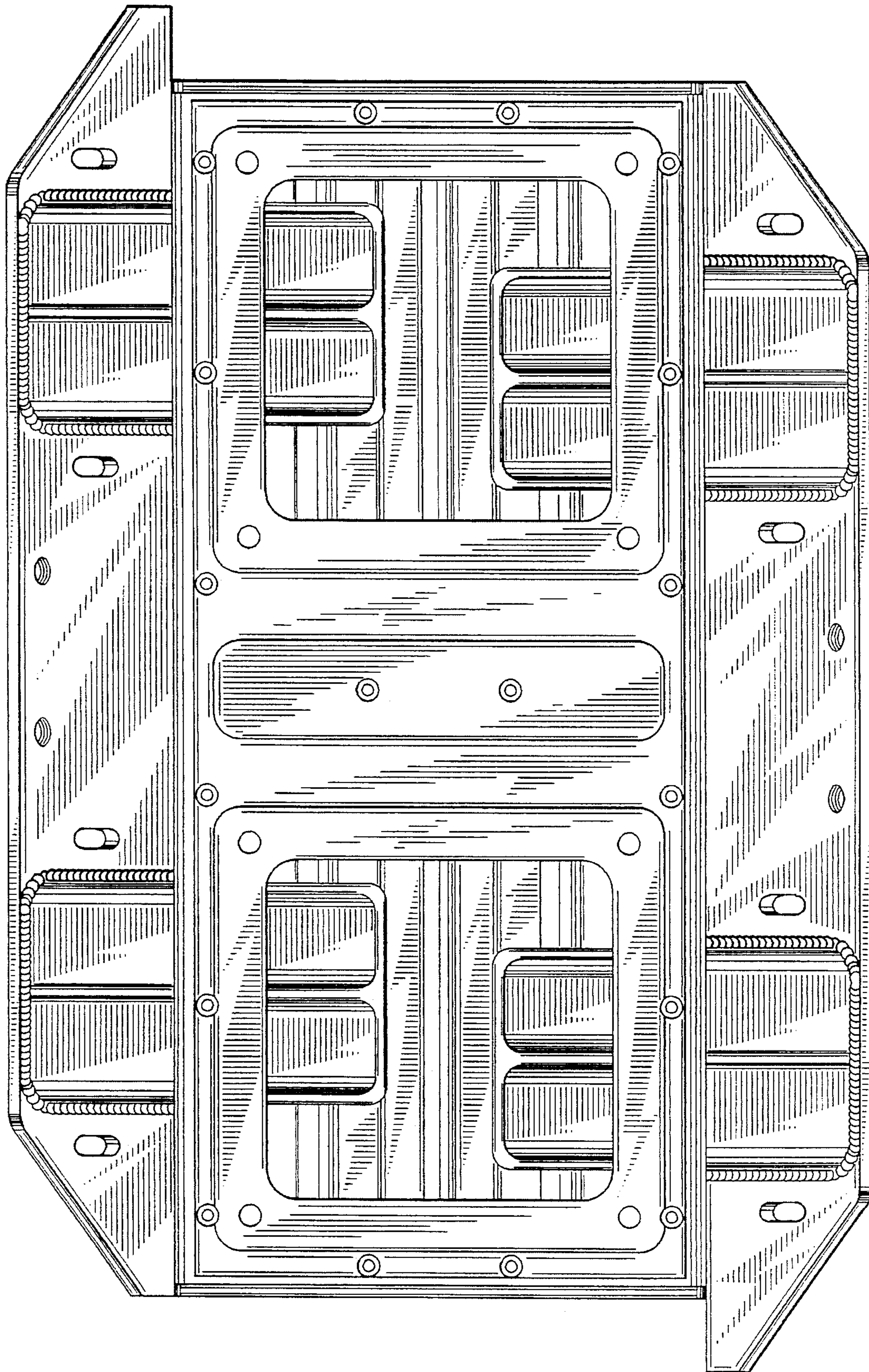


FIG. 6



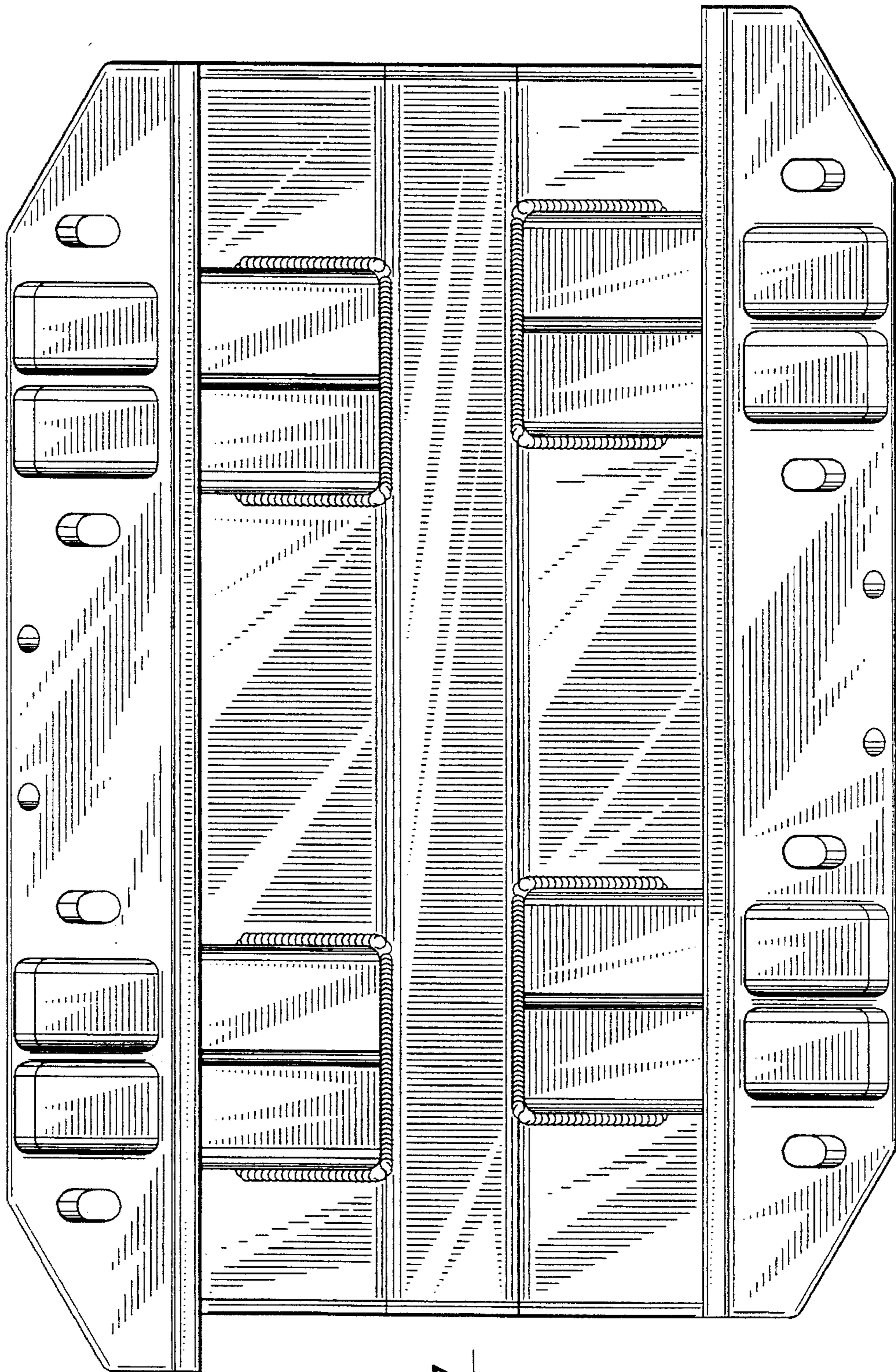


FIG. 7