



US00D364625S

# United States Patent [19] Grande

[11] Patent Number: **Des. 364,625**

[45] Date of Patent: **\*\*\* Nov. 28, 1995**

[54] **FOUR-GANG JACKBOX ASSEMBLY**

4,749,359	6/1988	White	.....	379/419	X
4,911,655	3/1990	Pinyan et al.	.....	439/801	X
5,153,911	10/1992	Smith	.....	379/399	

[75] Inventor: **Frank Grande**, Highland Beach, Fla.

[73] Assignee: **Hose-McCann Telephone Co., Inc.**,  
Deerfield Beach, Fla.

[\*] Notice: The portion of the term of this patent subsequent to Mar. 7, 2009, has been disclaimed.

[\*\*] Term: **14 Years**

[21] Appl. No.: **21,415**

[22] Filed: **Apr. 15, 1994**

[52] U.S. Cl. .... **D14/240**; D13/152; D14/256

[58] Field of Search ..... D14/240, 256,  
D14/140; D13/152, 160, 162, 184, 199;  
379/399, 412, 419; 439/535, 709, 801,  
521, 533, 534

[56] **References Cited**

**U.S. PATENT DOCUMENTS**

D. 313,417	1/1991	Graham et al.	.....	D14/240
D. 347,438	5/1994	Smith	.....	D14/240
4,729,059	3/1988	Wang	.....	379/412 X
4,734,061	3/1988	Randall, Jr. et al.	.....	439/709

**OTHER PUBLICATIONS**

Sound-Powered Telephone Jack Box, Comdial Telephone Systems, Inc., Charlottesville, Va., Comdial Telephone Systems 1983 Catalog, p. 4.

*Primary Examiner*—Jeffrey Asch  
*Assistant Examiner*—a  
*Attorney, Agent, or Firm*—Weingram & Zall

[57] **CLAIM**

The ornamental design for a four-gang jackbox assembly, as shown and described.

**DESCRIPTION**

FIG. 1 is a perspective view of a four-gang jackbox assembly, showing my new design;  
FIG. 2 is a top plan view;  
FIG. 3 is a side elevational view, the opposite side being identical thereto;  
FIG. 4 is an end elevational view, the opposite end being identical thereto; and,  
FIG. 5 is a bottom plan view.

**1 Claim, 3 Drawing Sheets**

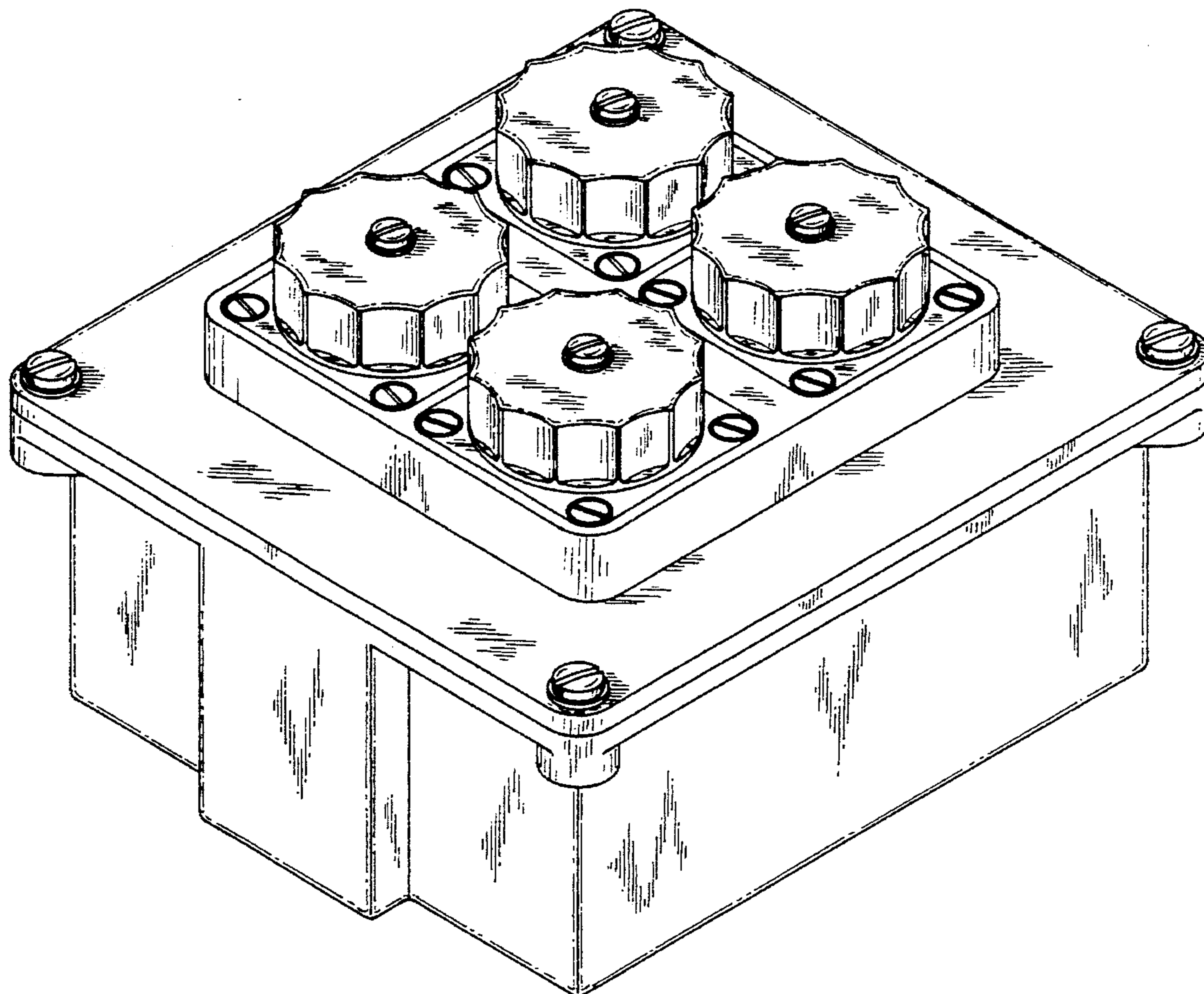


FIG. 1

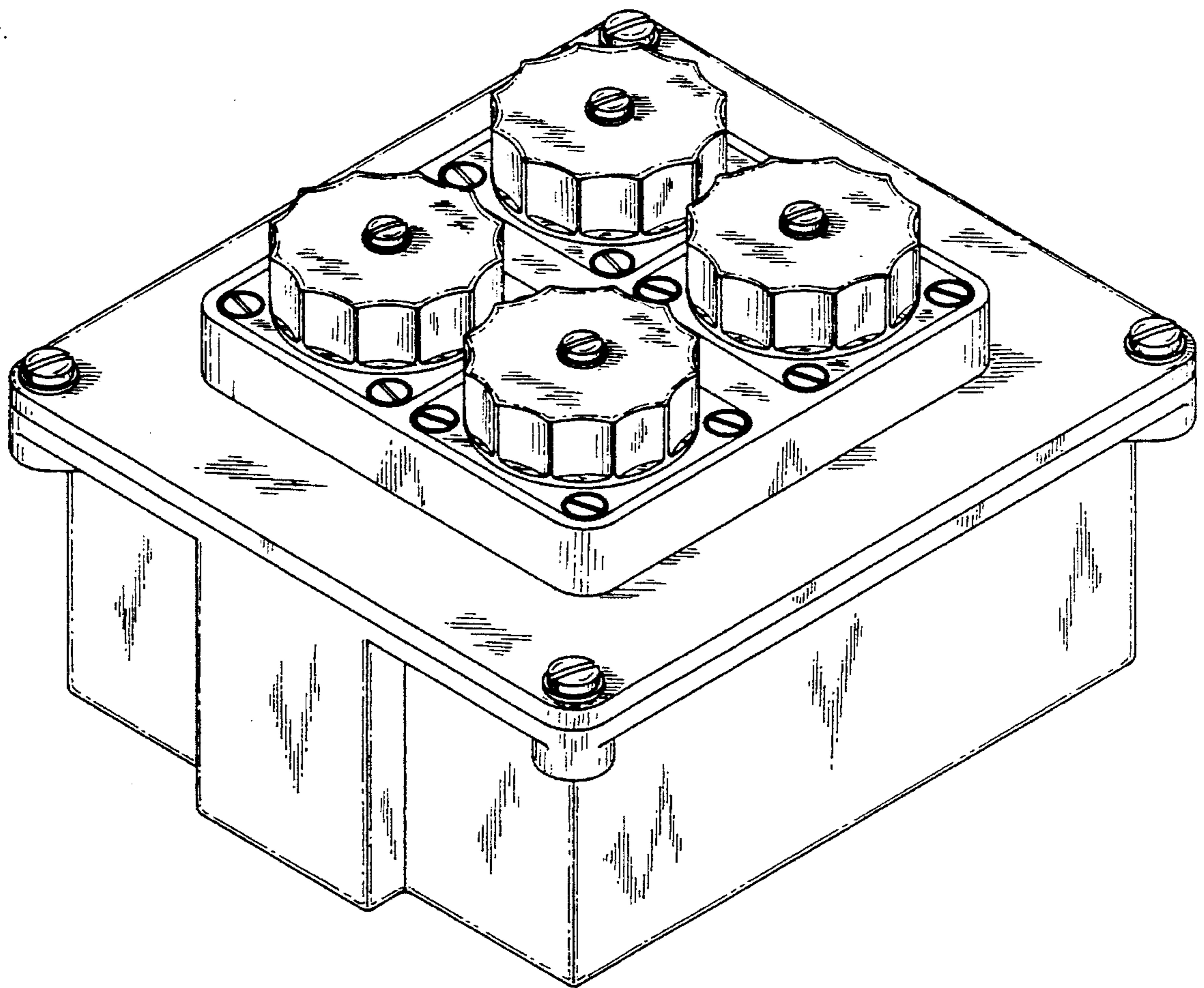


FIG. 2

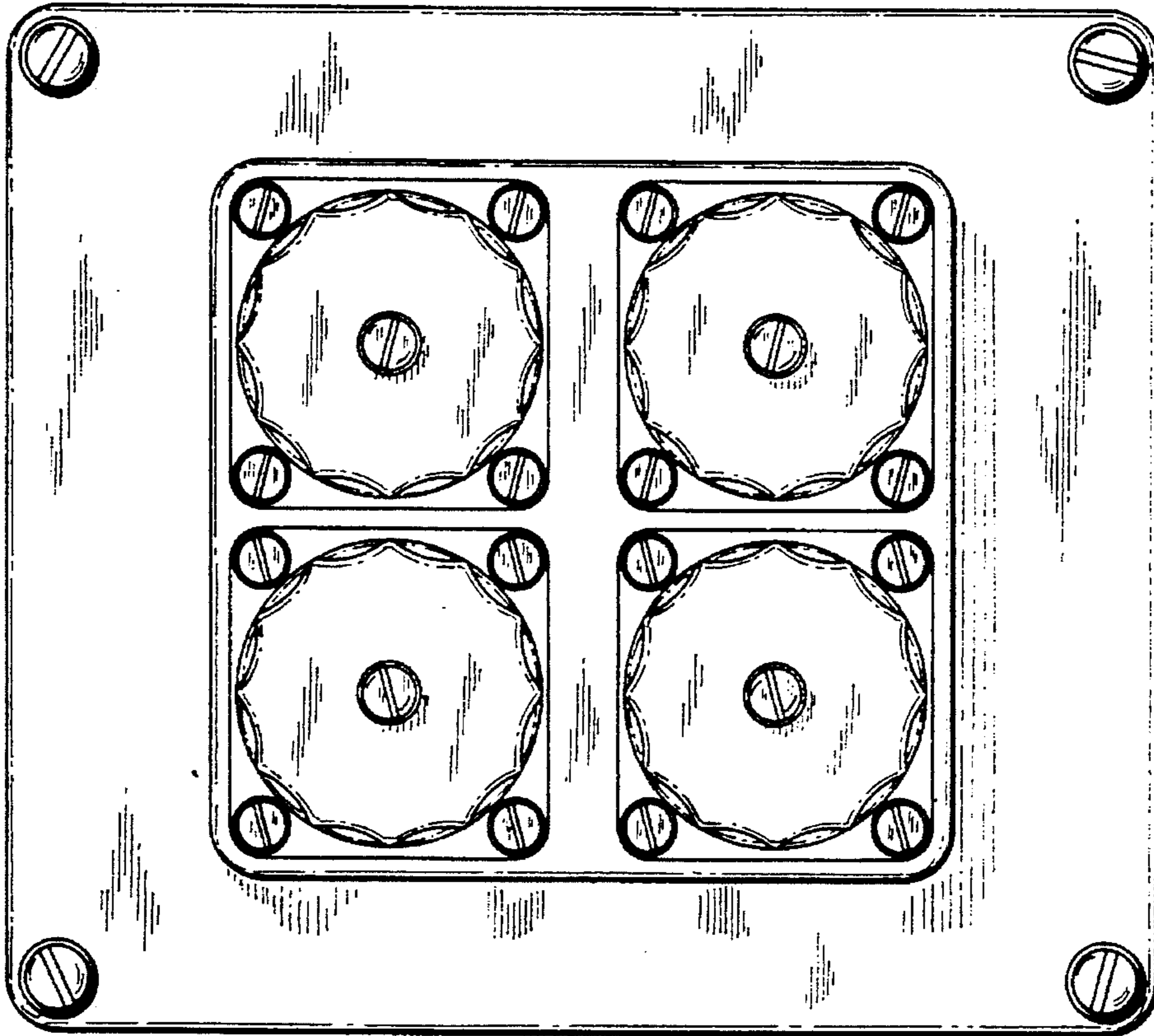


FIG. 3

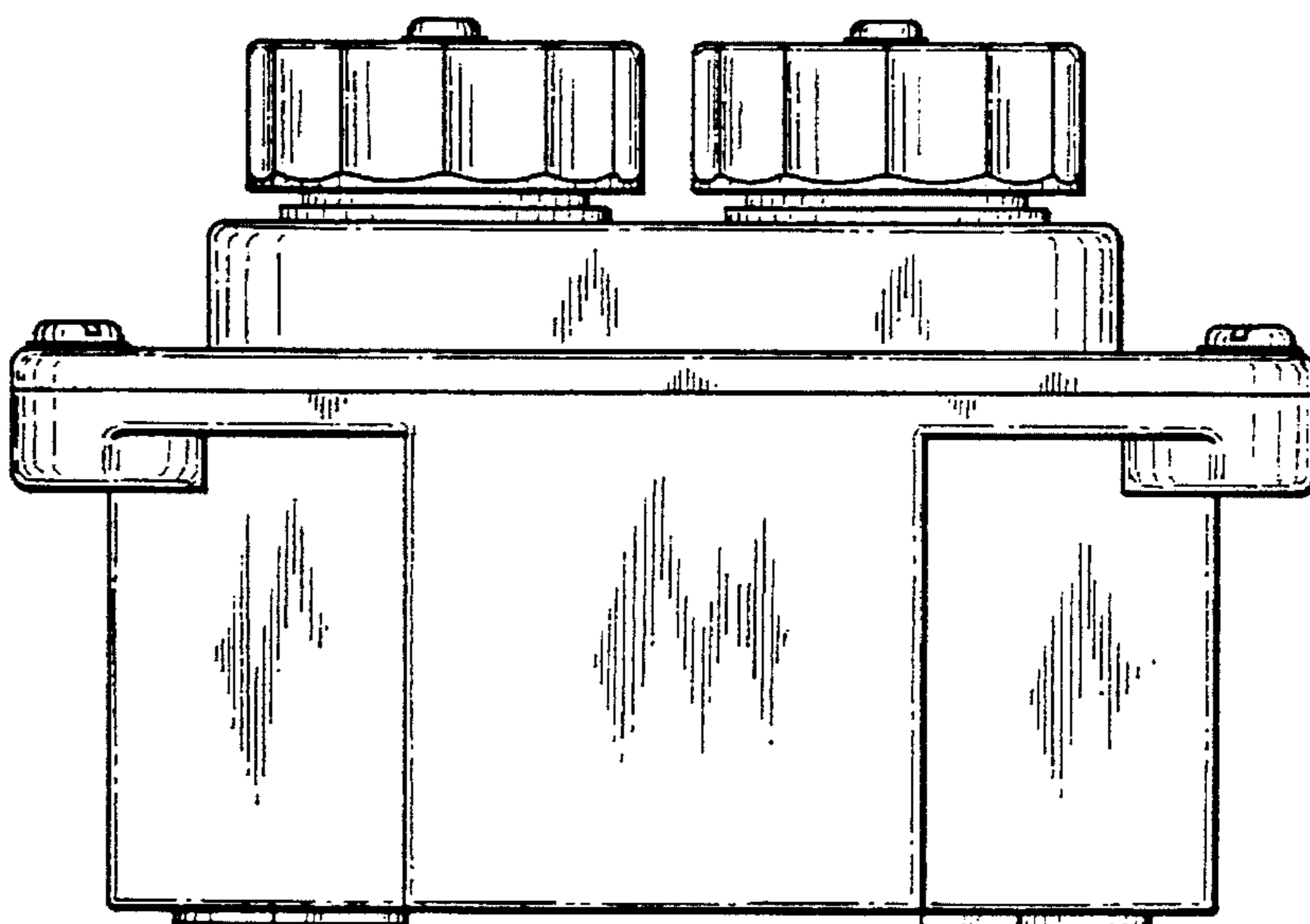


FIG. 4

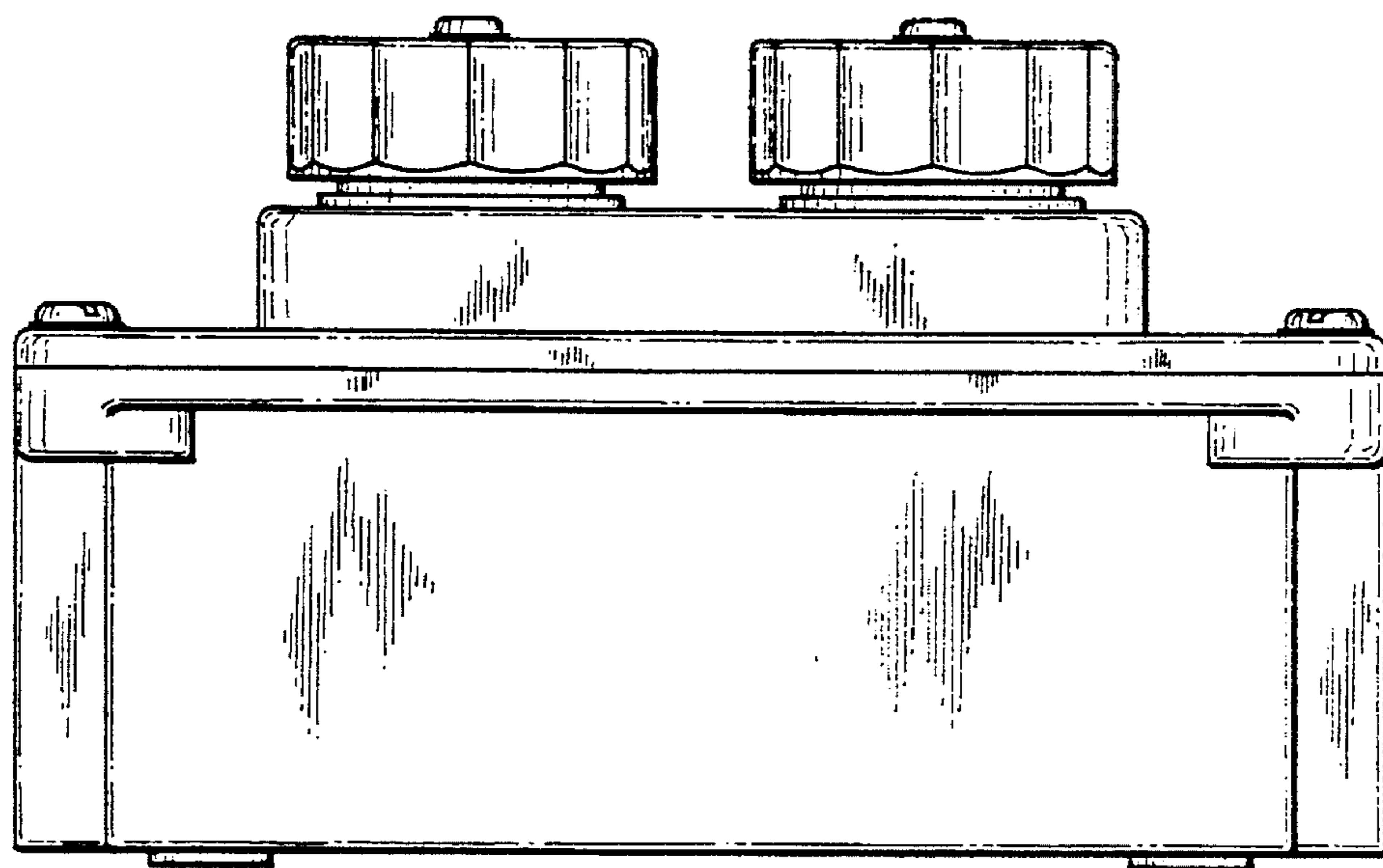


FIG. 5

