



US00D364624S

United States Patent [19]

[11] Patent Number: **Des. 364,624**

Fenton et al.

[45] Date of Patent: ****Nov. 28, 1995**

[54] **FOLDING ANTENNA FOR A PORTABLE RADIO PACKET MODEM**

2,420,772	5/1947	Dalton	343/720
2,514,167	7/1950	Scott	343/900
3,435,456	3/1969	Robb, Jr.	343/900 X
4,134,120	1/1979	DeLoach, Jr.	343/900 X

[75] Inventors: **William E. Fenton**, Surrey; **Brian Redman**, Richmond; **Roman P. Rak**, Delta, all of Canada

Primary Examiner—Dominic Simone
Attorney, Agent, or Firm—Charles W. Bethards

[73] Assignee: **Motorola, Inc.**, Schaumburg, Ill.

[**] Term: **14 Years**

[57] **CLAIM**

[21] Appl. No.: **18,418**

The ornamental design for a folding antenna for a portable radio packet modem, as shown and described.

[22] Filed: **Feb. 7, 1994**

DESCRIPTION

[52] U.S. Cl. **D14/234**; D14/230

[58] **Field of Search** D14/230, 233,
D14/234; 343/720, 761, 781 R, 900, 901,
907, 908, 912

FIG. 1 is a top front, and right side perspective view of a folding antenna for a portable radio packet modem showing our new design.

FIG. 2 is a bottom side elevational view thereof;

FIG. 3 is a rear side elevational view thereof; and,

FIG. 4 is a left side elevational view thereof.

[56] **References Cited**

U.S. PATENT DOCUMENTS

D. 112,288 11/1938 Martin D14/234

1 Claim, 2 Drawing Sheets

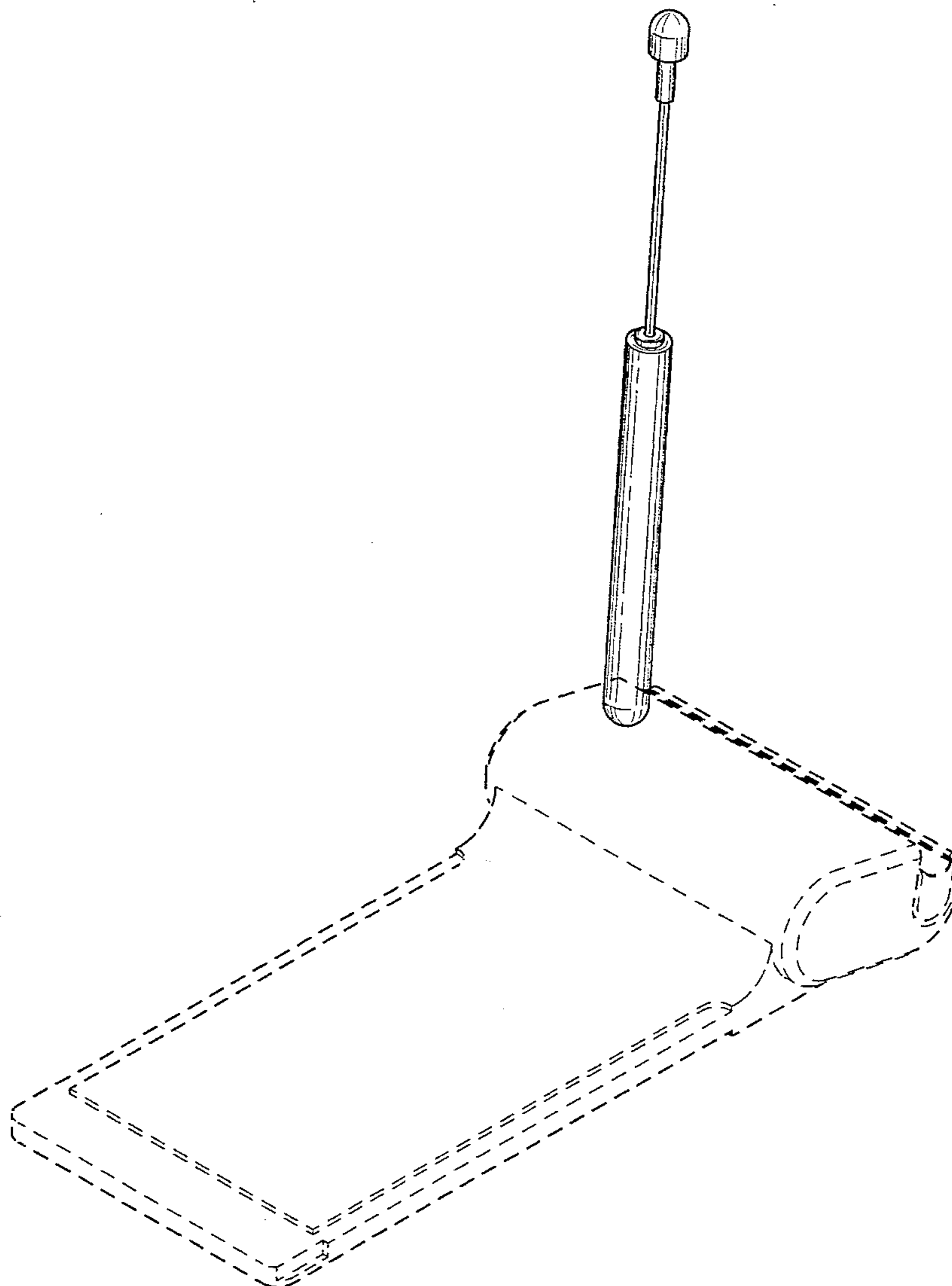


FIG. 1

