



US00D364623S

United States Patent [19]
Khadivar

[11] **Patent Number: Des. 364,623**

[45] **Date of Patent: **Nov. 28, 1995**

[54] **AM/FM CASSETTE PLAYER**

[76] Inventor: **Michael Khadivar**, 5151 N. Shore,
Lincolnwood, Ill. 60646

[**] Term: **14 Years**

[21] Appl. No.: **24,115**

[22] Filed: **Jun. 8, 1994**

[52] U.S. Cl. **D14/162**

[58] **Field of Search** D14/154, 160-172,
D14/188-198, 257, 259, 265, 299; 312/7.1;
455/344, 347, 350, 351

[56] **References Cited**

U.S. PATENT DOCUMENTS

D. 327,684	7/1992	Totsuka	D14/168
D. 339,345	9/1993	Fuke	D14/168
D. 341,832	11/1993	Ito et al.	D14/198
D. 343,393	1/1994	Ito et al.	D14/163 X
D. 350,754	9/1994	Sasago	D14/168
D. 350,960	9/1994	Dakata et al.	D14/188 X

Primary Examiner—Ted Shooman
Assistant Examiner—Nanda Bondade
Attorney, Agent, or Firm—Robert S. Beiser; Michael Best & Friedrich

[57] **CLAIM**

The ornamental design for an AM/FM cassette player, as shown.

DESCRIPTION

FIG. 1 is a front, top and right side elevational view of a AM/FM cassette player showing my new design;
FIG. 2 is a front elevational view;
FIG. 3 is a side elevational view, the opposite side being a mirror image;
FIG. 4 is a top plan view;
FIG. 5 is a bottom plan view; and,
FIG. 6 is a rear elevational view.

1 Claim, 5 Drawing Sheets

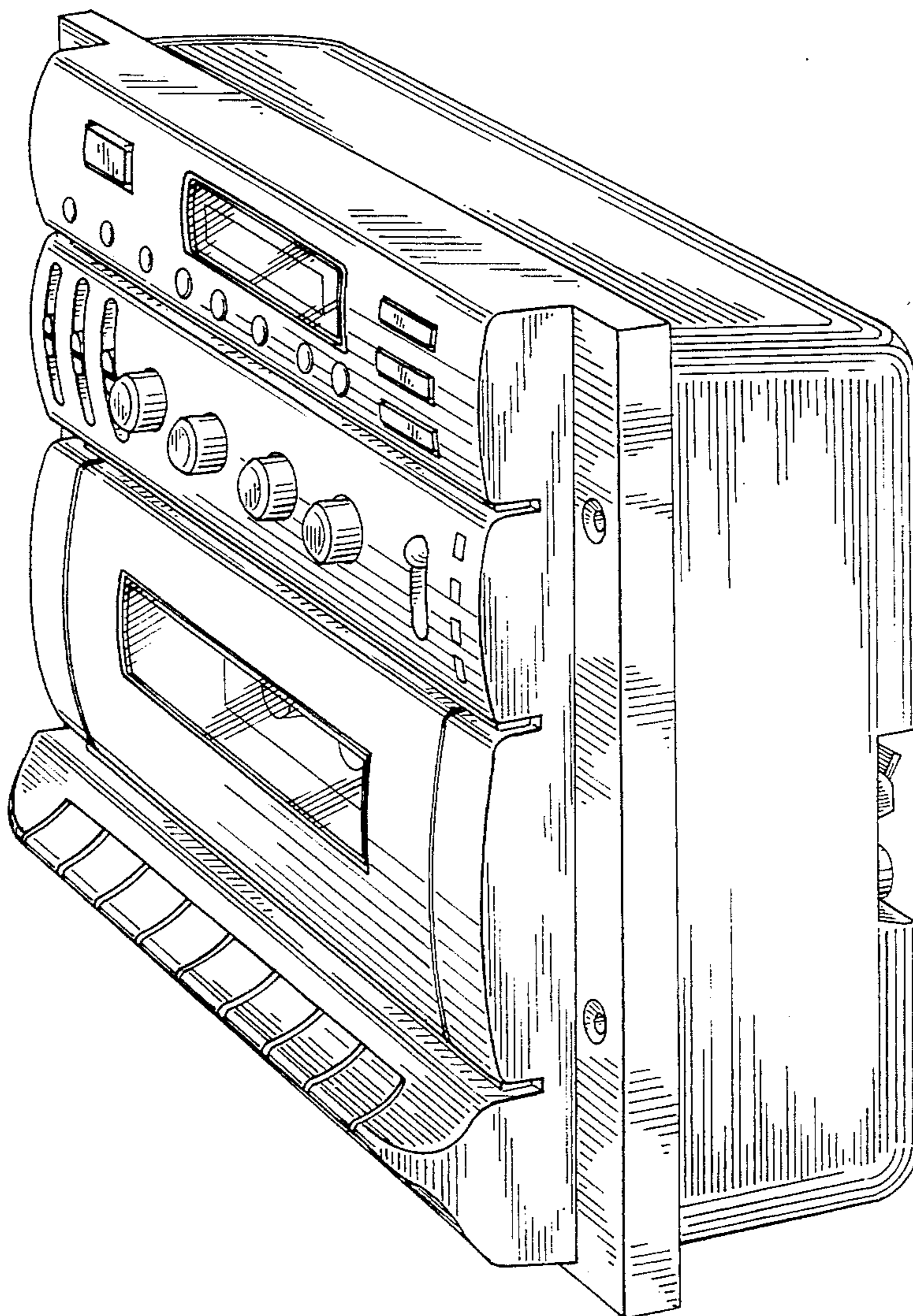


Fig. 1

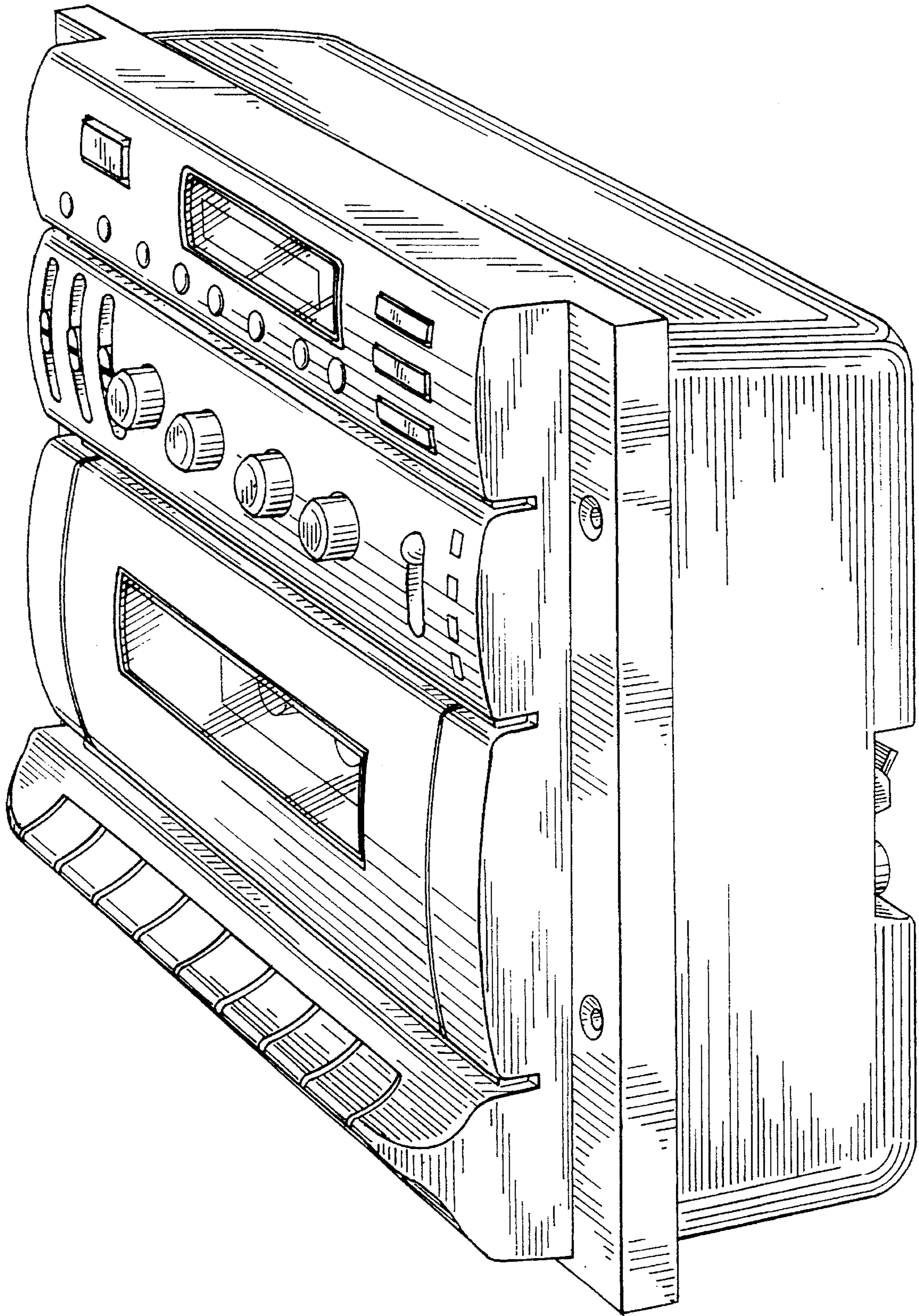


Fig. 2

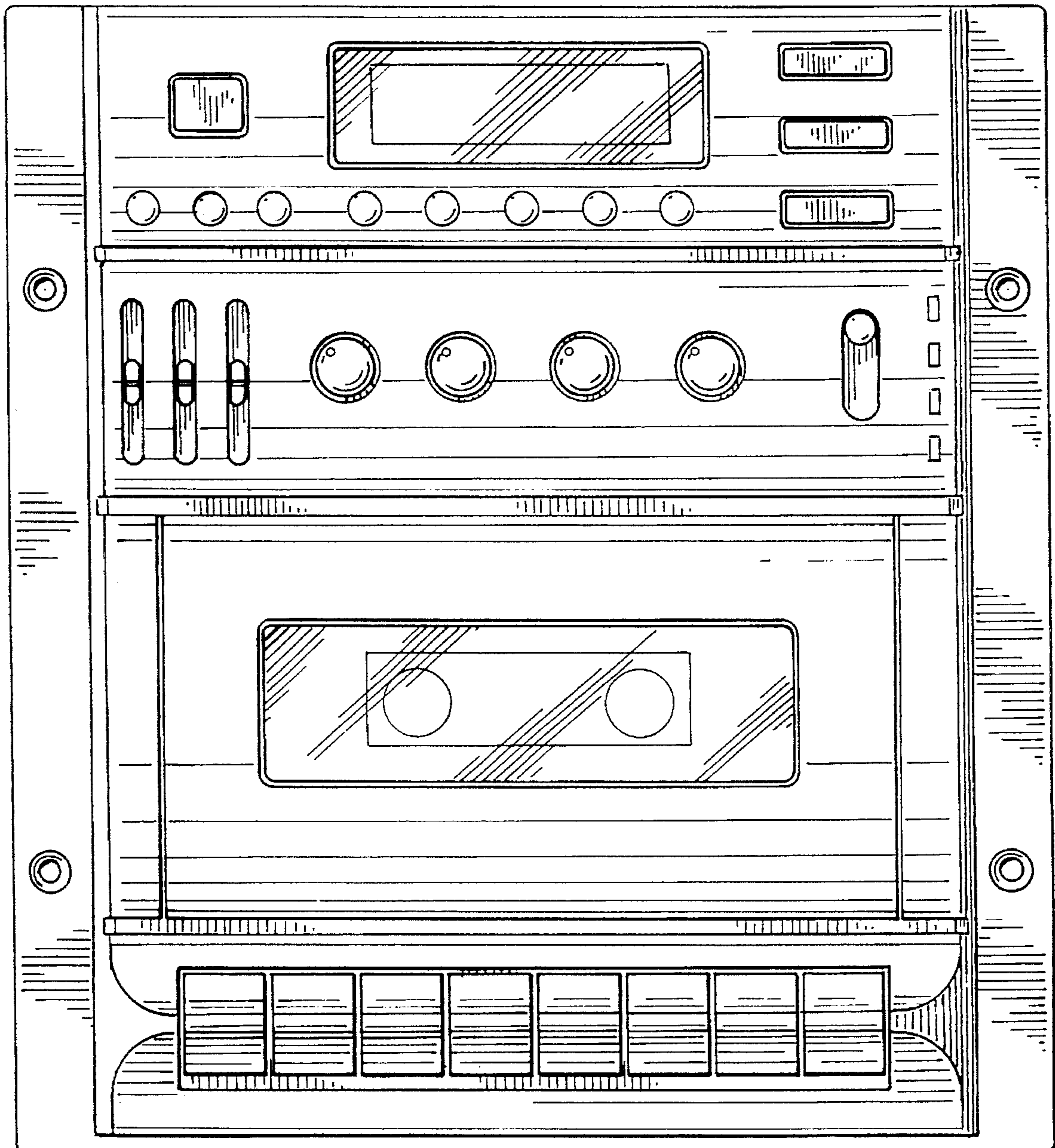


Fig. 3

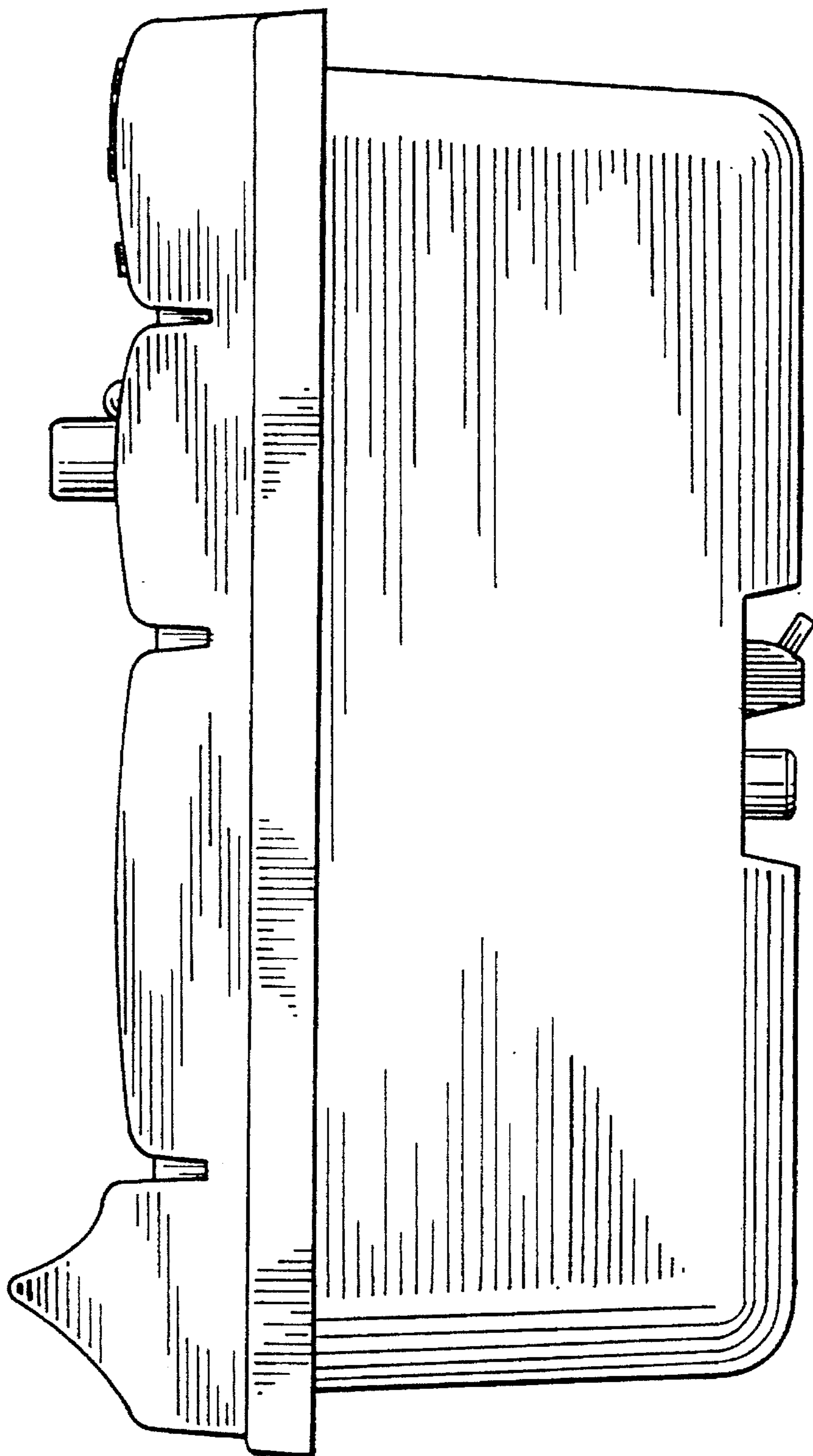


Fig. 4

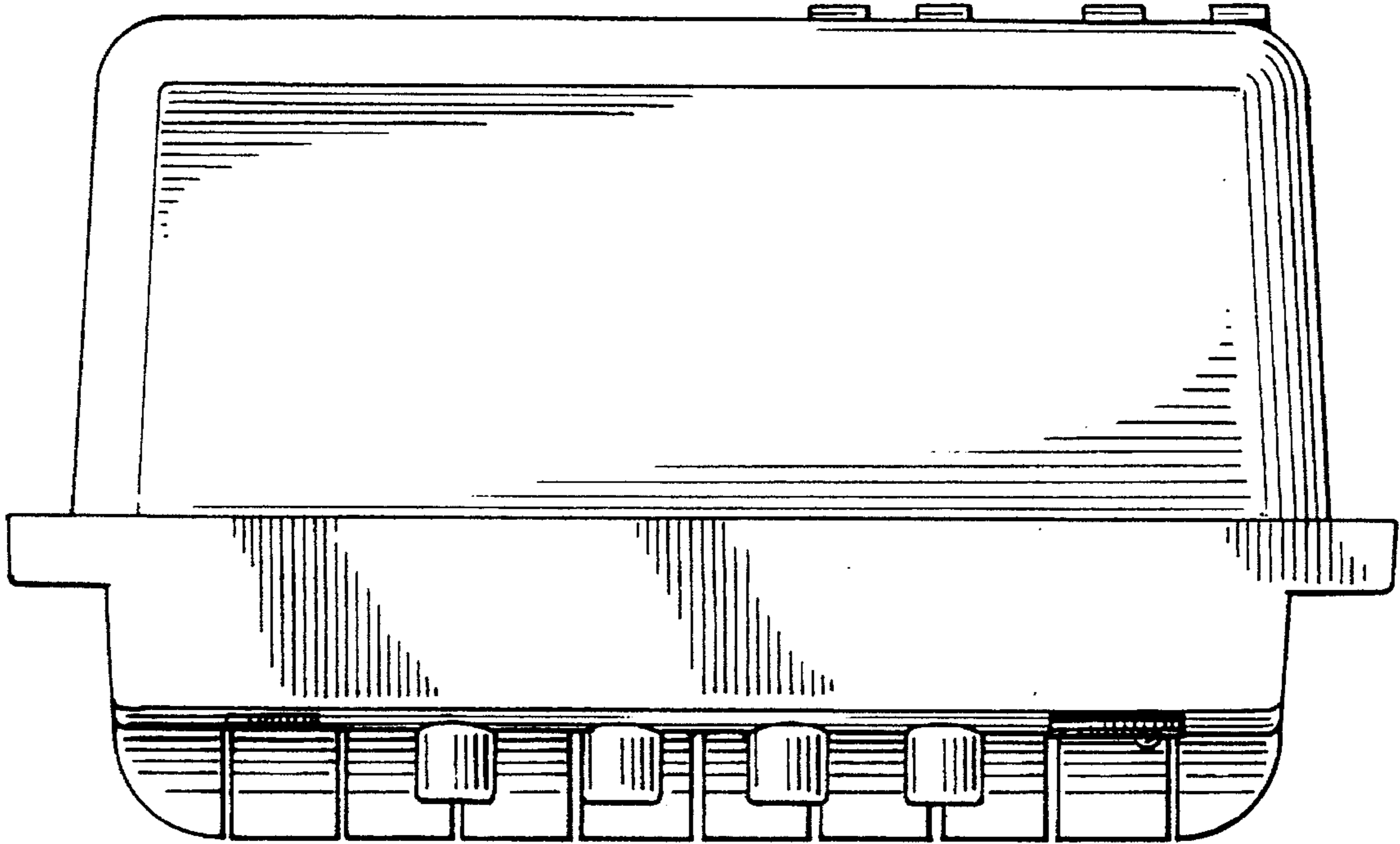


Fig. 5

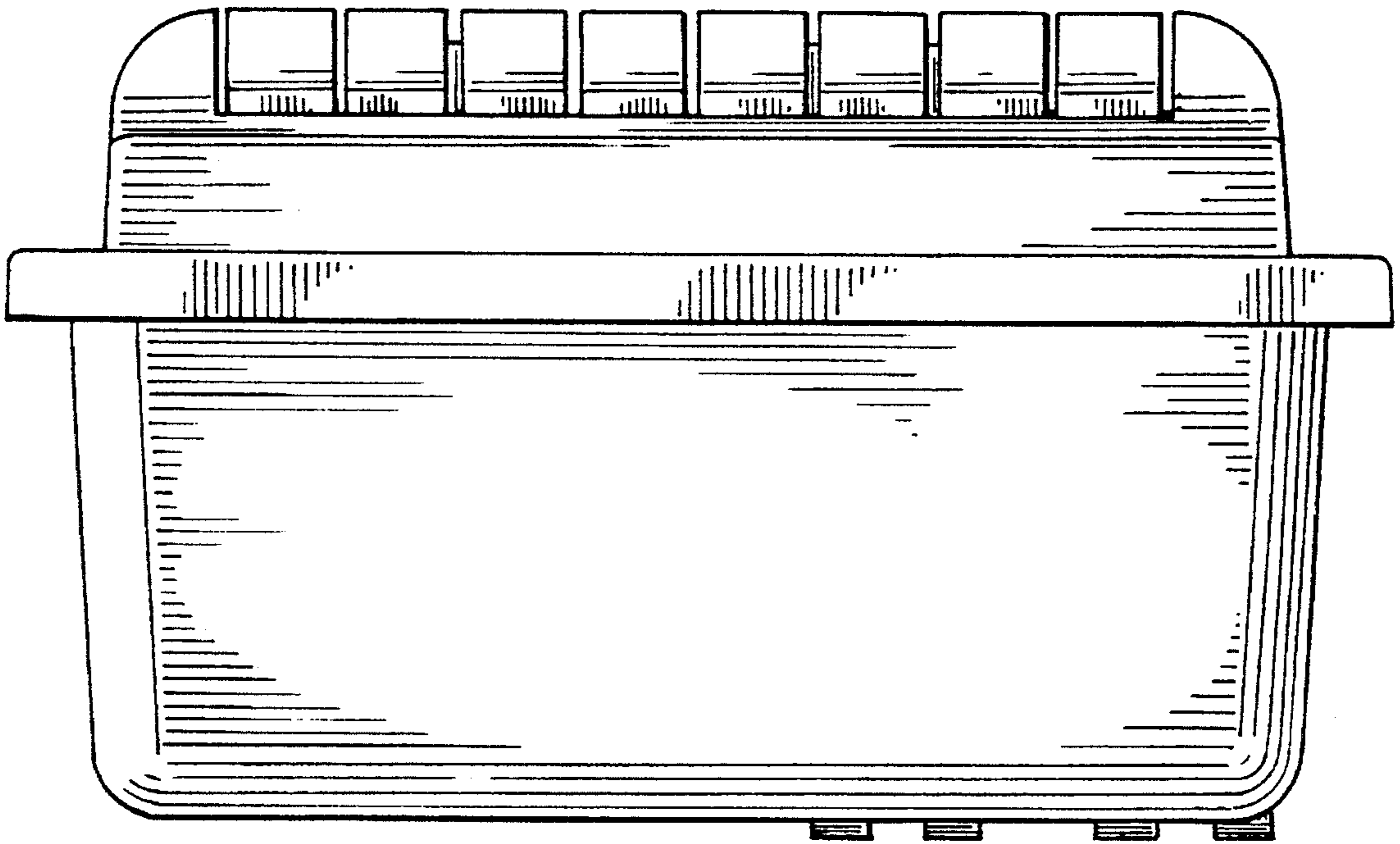


Fig. 6

