



US00D364619S

United States Patent [19]
Kilo

[11] **Patent Number: Des. 364,619**

[45] **Date of Patent: **Nov. 28, 1995**

[54] **BASKETBALL TELEPHONE**

chesi

[76] Inventor: **Katherine Kilo**, 38 Countryside La., St. Louis, Mo. 63131

[57] **CLAIM**

The ornamental design for basketball telephone, as shown and described.

[**] Term: **14 Years**

DESCRIPTION

[21] Appl. No.: **26,221**

FIG. 1 is a perspective view of my basketball telephone; FIG. 2 is a front elevational view thereof with a basketball earpiece in place on a basket; FIG. 3 is a front elevational view thereof with the basketball earpiece removed from the basket; FIG. 4 is a rear elevational view thereof; FIG. 5 is a top elevational view thereof with the basketball earpiece in place in the basket; FIG. 6 is a top elevational view thereof; FIG. 7 is a right side elevational view thereof; FIG. 8 is a left side elevational view thereof; and, FIG. 9 is a front elevational view of a second embodiment of my basketball telephone the only difference being in the shape of the backboard.

[22] Filed: **Jul. 29, 1994**

[52] **U.S. Cl.** **D14/143**

[58] **Field of Search** D14/140, 142, 143, 149; D21/27, 111; 379/420, 428, 419, 440

The broken line disclosure throughout the views is for illustrative purposes only and forms no part of the claimed design.

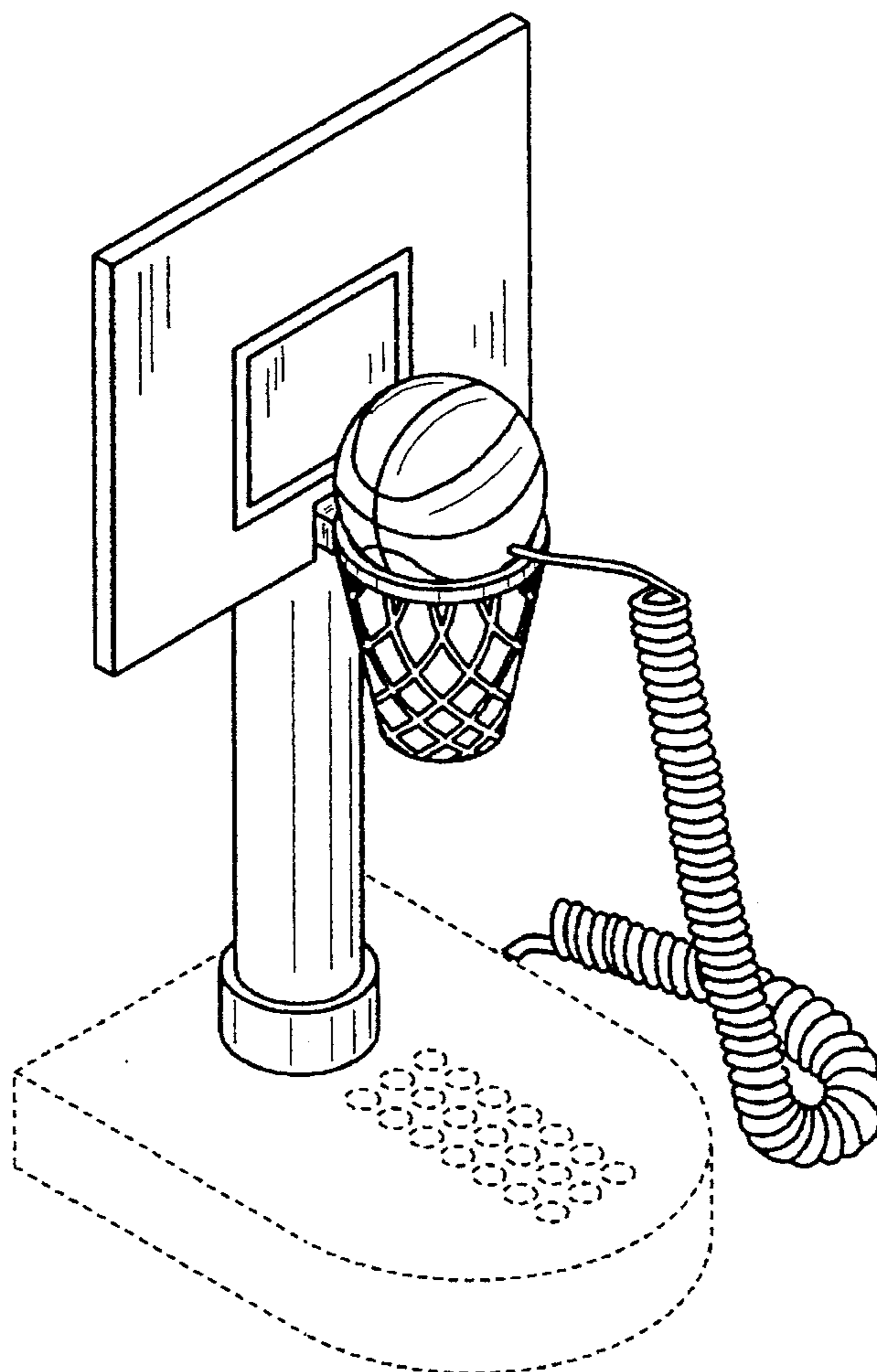
[56] **References Cited**

U.S. PATENT DOCUMENTS

- D. 255,240 6/1980 Thomas D14/143
- D. 257,446 10/1980 Matsumoto D21/27
- D. 260,018 7/1981 Thomas D14/143
- D. 262,024 11/1981 Thomas D14/143
- D. 265,197 6/1982 Jones D14/143
- D. 267,891 2/1983 Hailey D21/27 X
- D. 341,139 11/1993 Brown D14/143

Primary Examiner—Jeffrey Asch
Attorney, Agent, or Firm—Polster, Lieder, Woodruff & Luc-

1 Claim, 2 Drawing Sheets



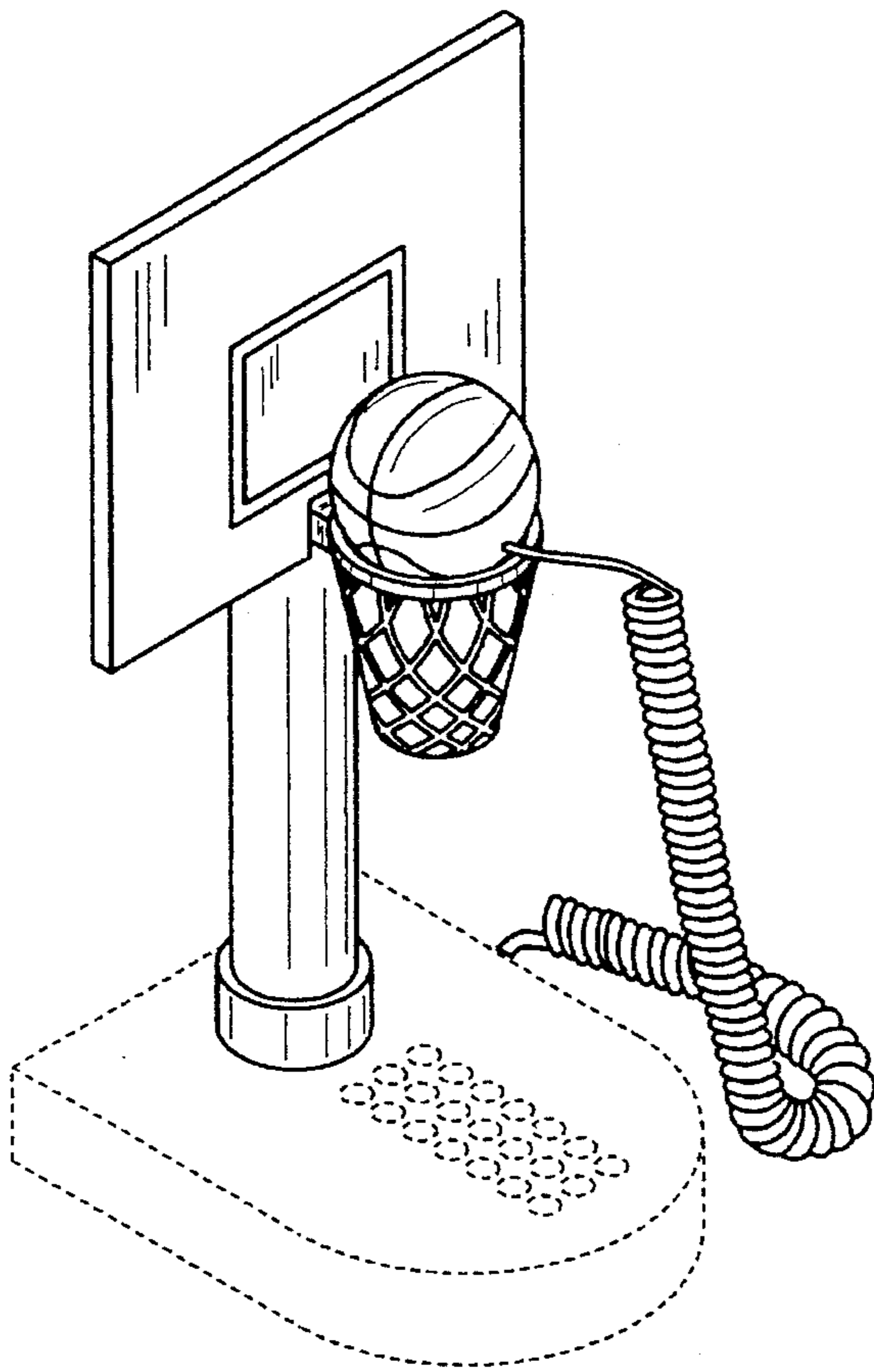


FIG. 1

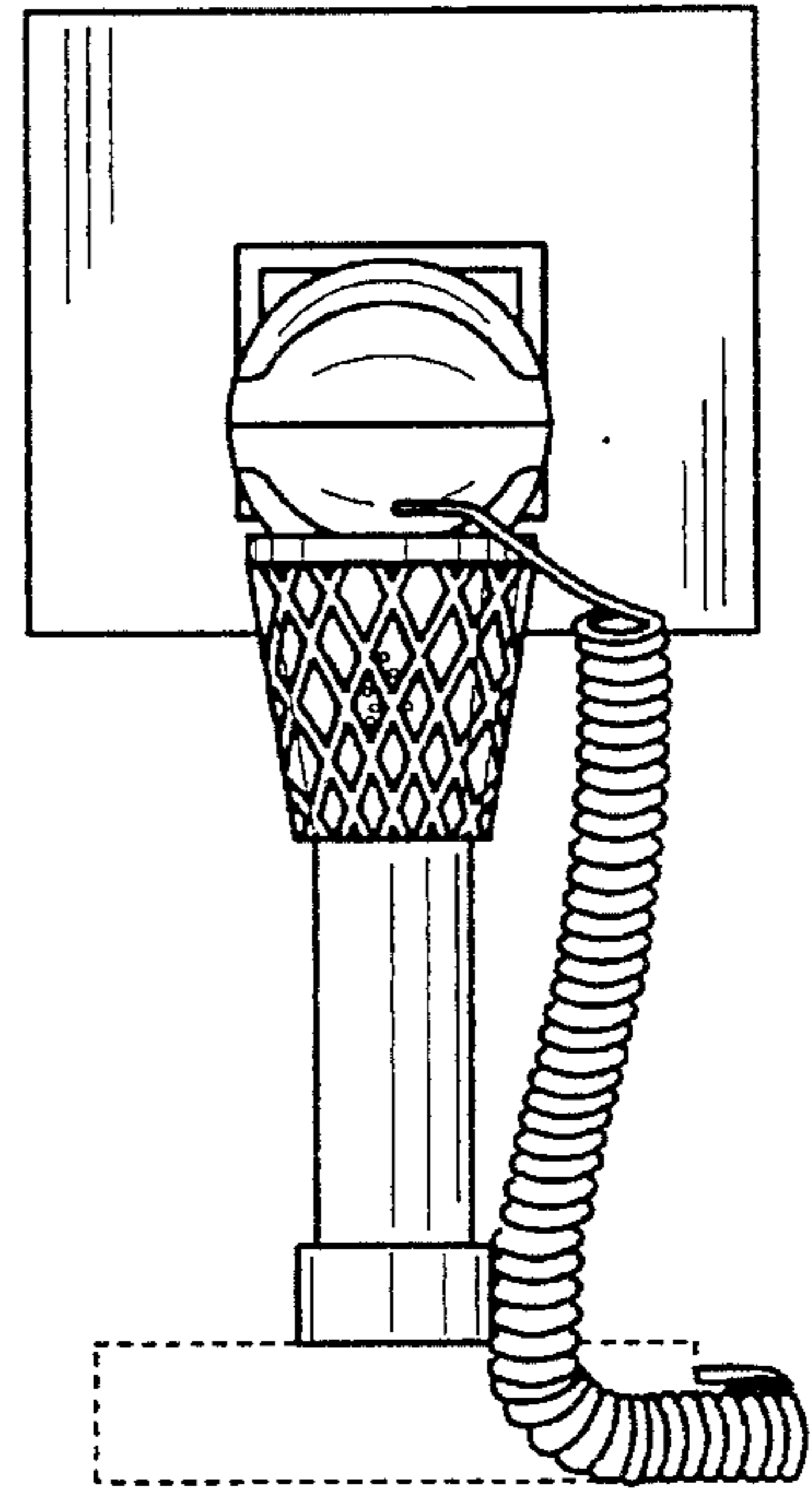


FIG. 2

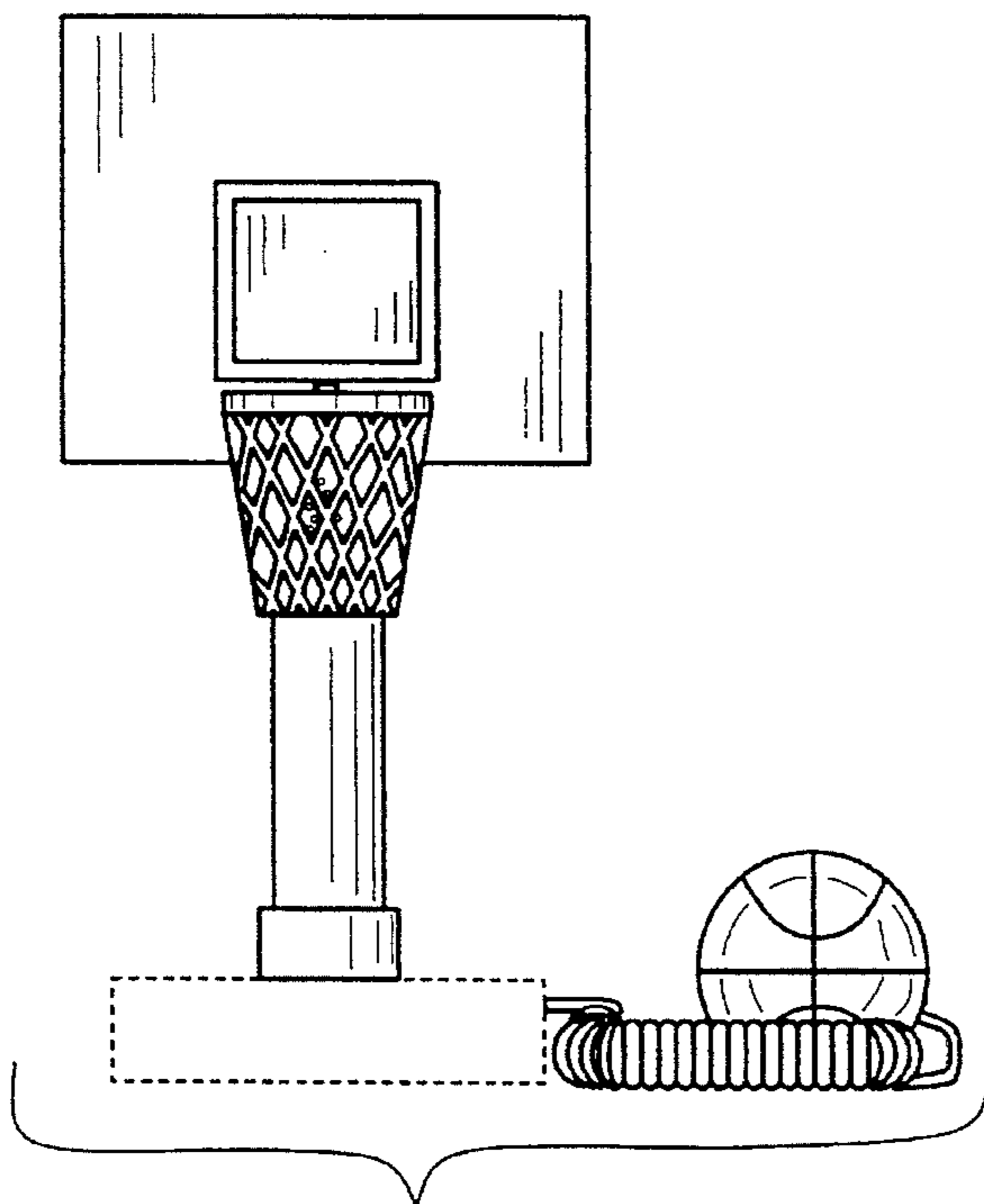


FIG. 3

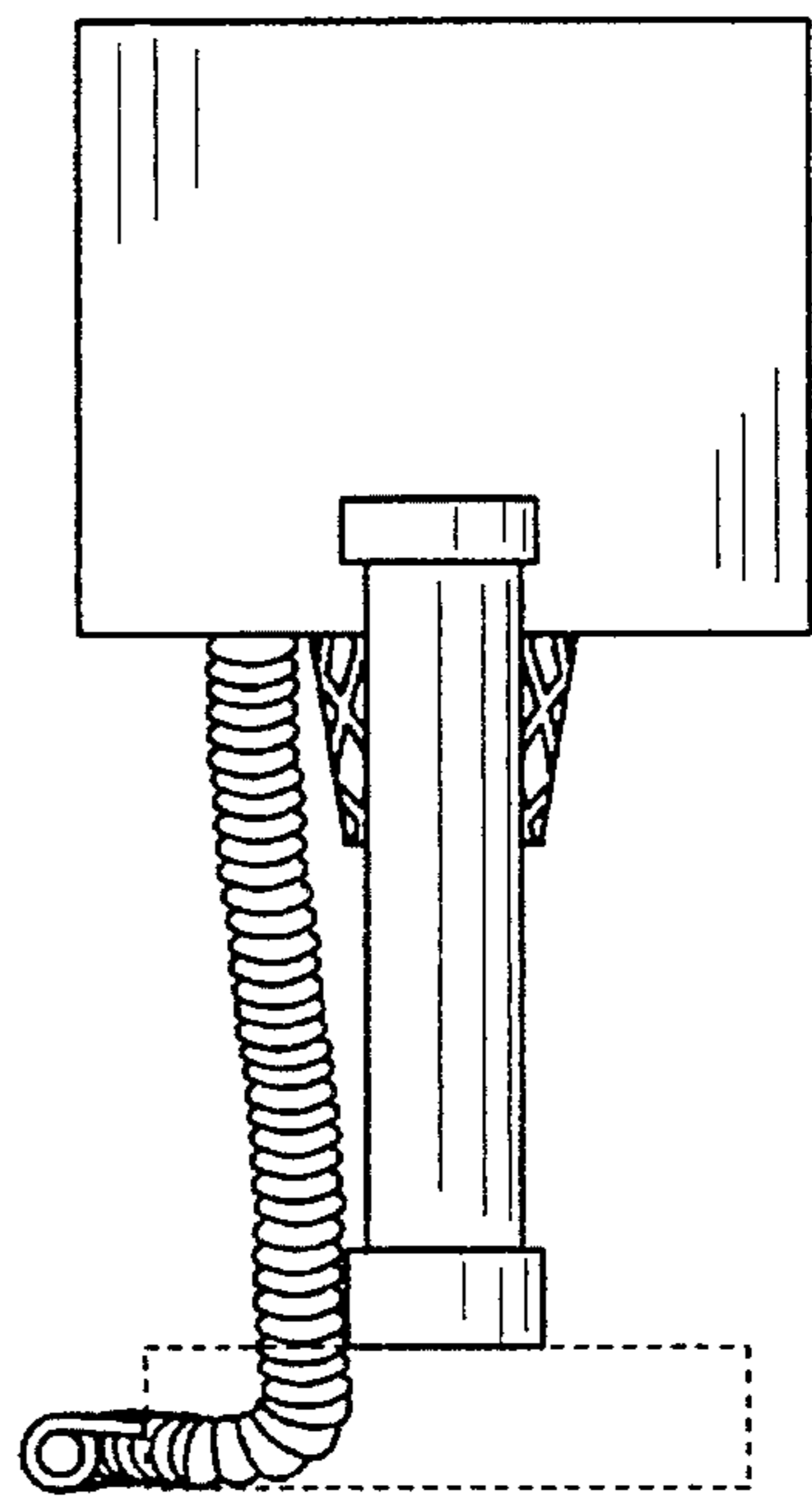


FIG. 4

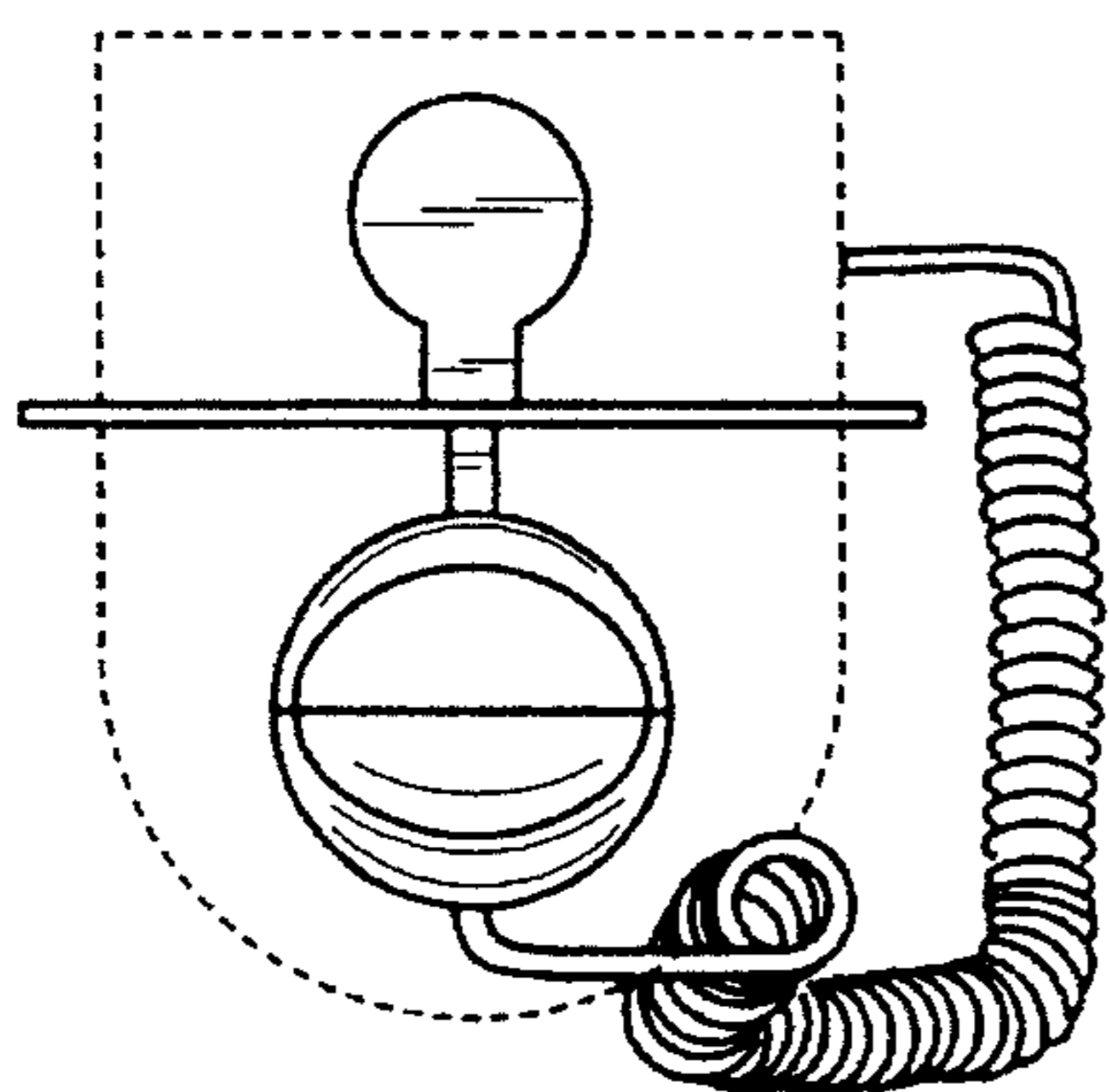


FIG. 5

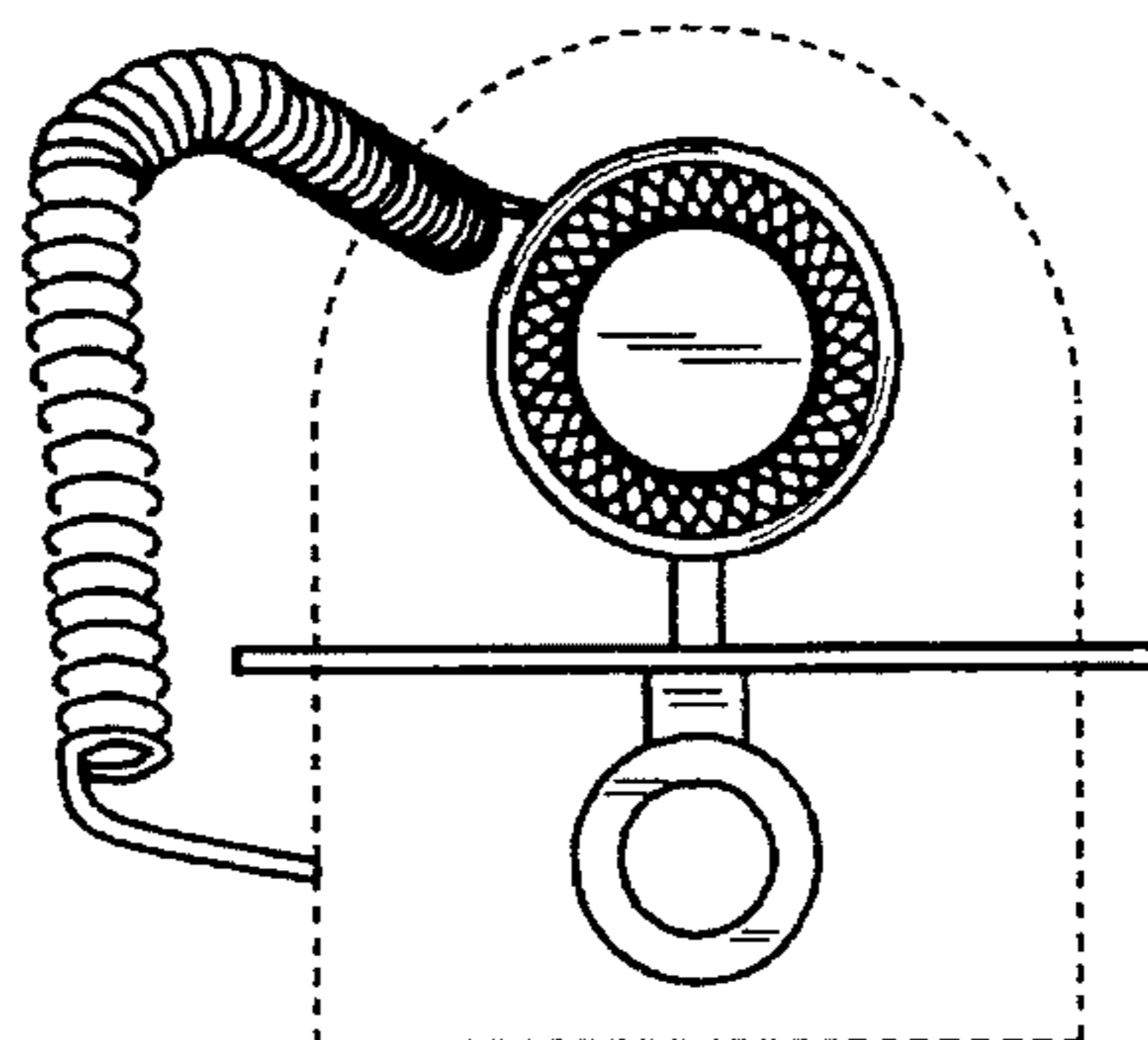


FIG. 6

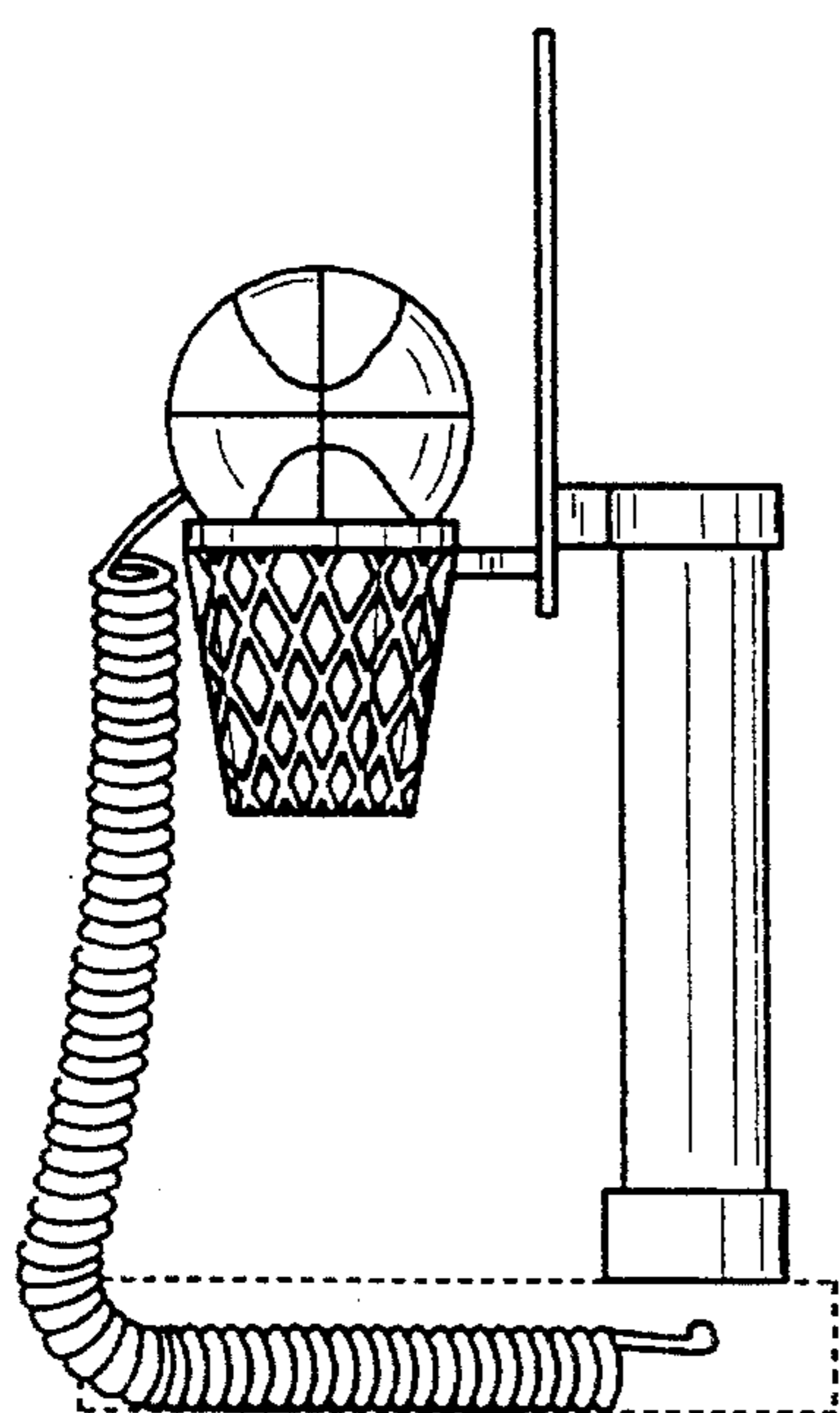


FIG. 7

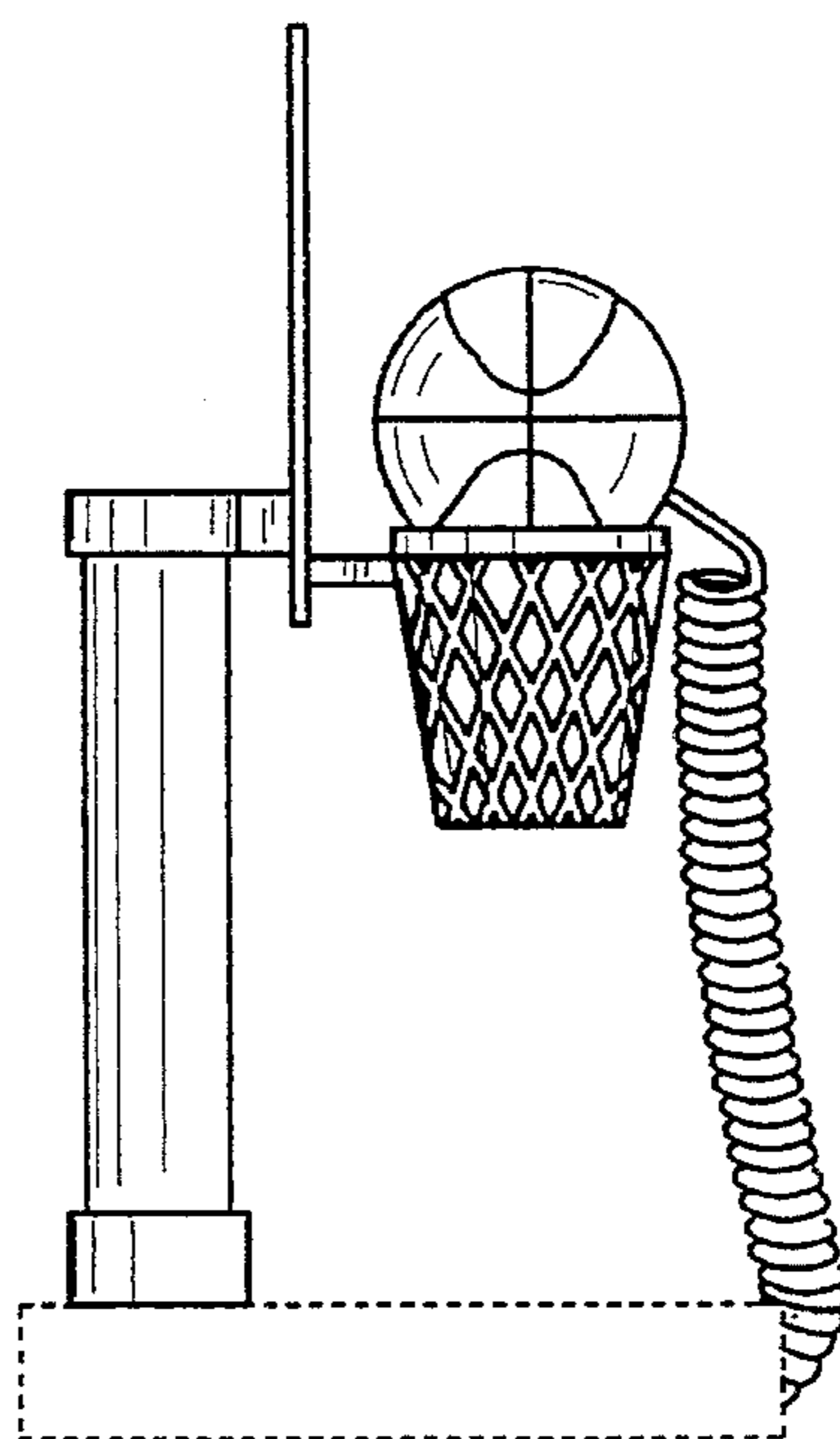


FIG. 8

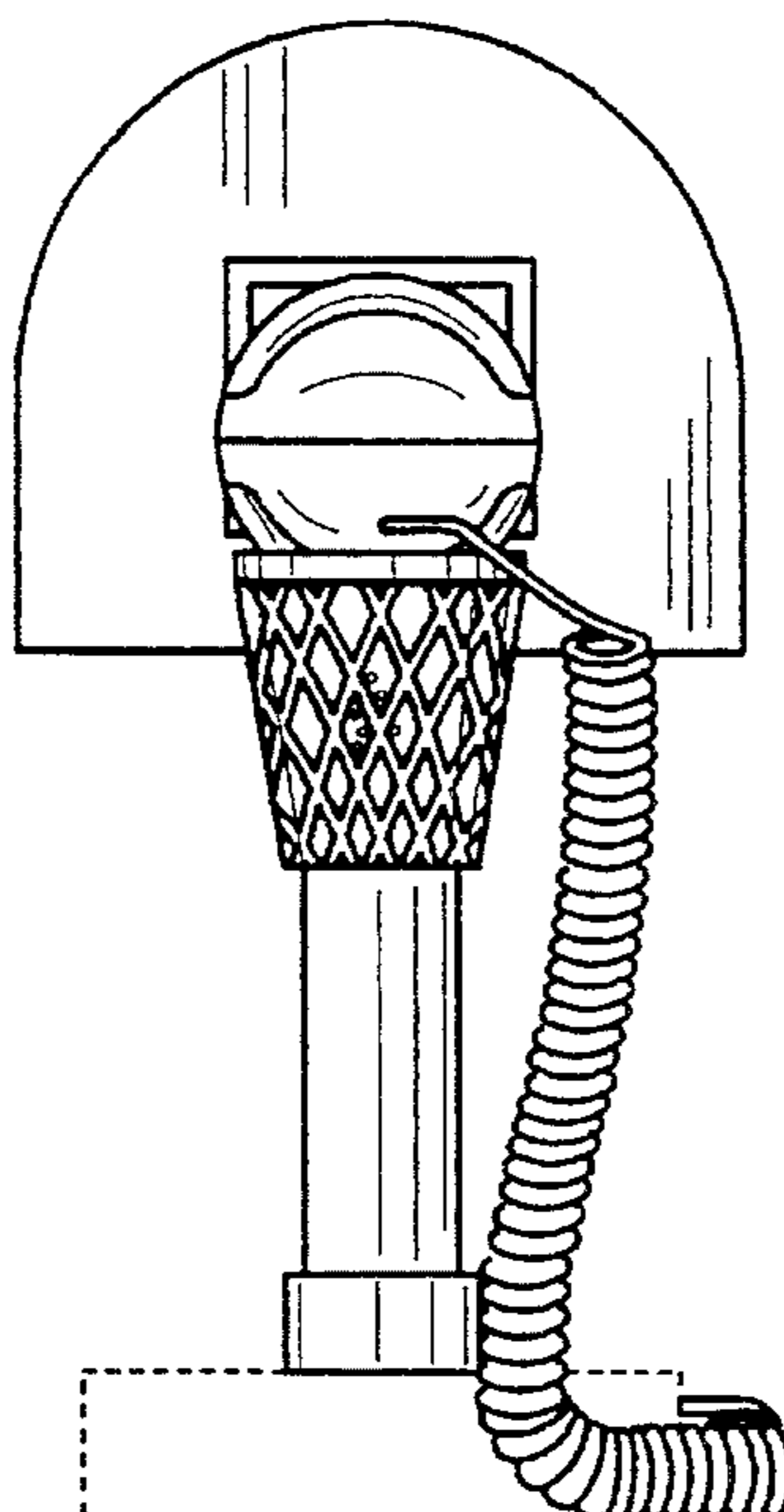


FIG. 9